



US00D923115S

(12) **United States Design Patent** (10) **Patent No.:** **US D923,115 S**
Ewing et al. (45) **Date of Patent:** **** Jun. 22, 2021**

(54) **MODEL VEHICLE PIVOTING AXLE CARRIER HOLDER**

(71) Applicant: **TRAXXAS LP**, McKinney, TX (US)
(72) Inventors: **Adam Cole Ewing**, McKinney, TX (US); **Jory Sprowl**, Honey Grove, TX (US); **Otto Karl Allmendinger**, Rowlett, TX (US)
(73) Assignee: **TRAXXAS LP**, McKinney, TX (US)

(**) Term: **15 Years**
(21) Appl. No.: **29/696,539**

(22) Filed: **Jun. 28, 2019**

(51) **LOC (13) Cl.** **21-01**

(52) **U.S. Cl.**
USPC **D21/562**

(58) **Field of Classification Search**
USPC D21/424, 433, 434, 483, 495, 522, D21/533-562; D12/86-93, 98, 159, D12/163-172, 401, 400, 160; 446/431, 446/448, 454-456, 465-466, 470-471
CPC B60G 2204/128; B60G 13/003; B62D 25/00; B62D 35/00; A63H 17/262; A63H 17/00; A63H 17/395; A63H 17/38; A63H 17/26; A63H 17/28; A63H 33/042; A63H 3/16; A63H 3/50; A63H 30/00; A63H 7/04; A63H 17/36; A63H 17/264; A63H 17/004;

(Continued)

(56) **References Cited**

U.S. PATENT DOCUMENTS

1,377,905 A 5/1921 Martz
1,455,706 A 5/1923 Bower et al.

(Continued)

FOREIGN PATENT DOCUMENTS

DE 102008057196 A1 7/2009
EM 007721154-0004 * 3/2020

(Continued)

OTHER PUBLICATIONS

Traxxas Rear Stub Axle Carrier (1.5 Degree), Earliest Available Date Oct. 29, 2007 [Online], [Site Visited Oct. 28, 2020] Available From Internet, URL: <https://www.amainhobbies.com/traxxas-rear-stub-axle-carrier-1.5-degree-tra4352/p17759?gclid=EA1a1QobChMlyY7Ak_TX7AIVWQilCR1dzw2fEAQYBCABEgL99vD_BwE>(Year: 2007).*

(Continued)

Primary Examiner — Cynthia M. Chin

(74) *Attorney, Agent, or Firm* — Daryl R. Wright; Greg Carr

(57) **CLAIM**

We claim the ornamental design for a model vehicle pivoting axle carrier holder, as shown and described.

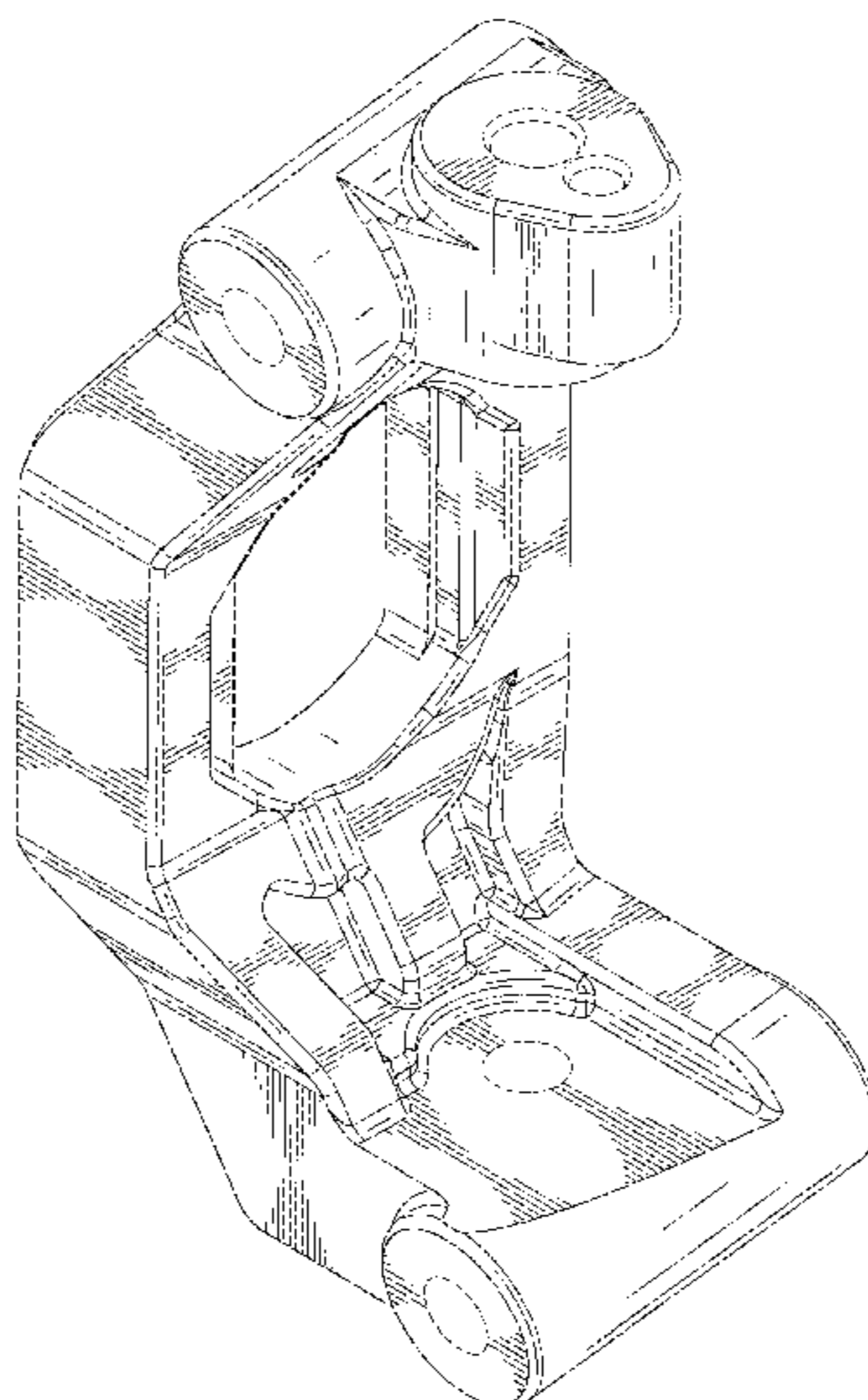
DESCRIPTION

FIG. 1 is an upper, left, front perspective view of a model vehicle pivoting axle carrier holder, according to our new design;
FIG. 2 is a front elevation view thereof;
FIG. 3 is a rear elevation view thereof;
FIG. 4 is a right side elevation view thereof;
FIG. 5 is a left side elevation view thereof;
FIG. 6 is an upper plan view thereof; and,
FIG. 7 is a lower plan view of the model vehicle pivoting axle carrier holder.

In the drawings, the broken lines showing features of the model vehicle pivoting axle carrier holder form no part of the claimed design.

In the drawings a first embodiment of the left model vehicle pivoting axle carrier holder is shown. It is understood that a second embodiment of the right model vehicle pivoting axle carrier holder is a mirror image thereof.

1 Claim, 7 Drawing Sheets



(58) **Field of Classification Search**
 CPC A63H 30/04; B60R 19/02; B60R 19/023;
 B60R 19/18; B60R 19/24; B60R 19/44;
 B60R 19/48; B60R 19/56; B60R
 2019/527; B60R 2019/1886
 See application file for complete search history.

(56) **References Cited**

U.S. PATENT DOCUMENTS

2,041,992	A	5/1936	Noel	
2,083,085	A	6/1937	Palmer	
2,132,545	A	10/1938	Smith	
2,547,435	A	4/1951	Bouchard	
3,306,077	A	2/1967	Piatti	
3,333,654	A	8/1967	Price-Stephens	
3,767,221	A	10/1973	Asberg	
D242,442	S	11/1976	Garrison	
4,509,932	A	4/1985	Weible	
4,632,203	A	12/1986	Krude	
4,690,656	A	9/1987	Friedman et al.	
D304,472	S	11/1989	Poulsen	
D304,473	S	11/1989	Poulsen	
D311,942	S	11/1990	Dideriksen	
D332,978	S	2/1993	Tsuchiya	
D341,560	S	11/1993	Fabris et al.	
5,338,247	A	8/1994	Miles	
5,498,208	A	3/1996	Braun	
5,516,130	A *	5/1996	Mitchell	B60G 3/20 280/124.134
D385,835	S *	11/1997	Webster	D12/159
D403,023	S	12/1998	Araki	
5,954,586	A	9/1999	Kirson	
6,394,878	B1	5/2002	Wang	
6,416,136	B1	7/2002	Smith	
6,478,709	B1	11/2002	Irwin et al.	
6,513,614	B2	2/2003	Knutson et al.	
6,773,353	B2	8/2004	Cornay et al.	
6,820,707	B1	11/2004	Cantemir	
7,144,326	B2	12/2006	Thompson	
7,690,660	B2	4/2010	Dudding et al.	
7,810,604	B2	10/2010	Byers et al.	
7,841,923	B2	11/2010	Marzetta et al.	
D686,677	S	7/2013	Simonds	
D686,952	S	7/2013	Rau et al.	
8,540,260	B1	9/2013	Batdorf et al.	
8,574,022	B2	11/2013	Grisolia et al.	
8,893,364	B2	11/2014	Rode	
D788,653	S *	6/2017	Smith	D12/159
D822,125	S	7/2018	Ewing et al.	
D826,340	S	8/2018	Ewing et al.	
D845,398	S	4/2019	Wood	
D847,911	S	5/2019	Wood	
D847,912	S	5/2019	Wood	
D866,683	S	11/2019	Ewing et al.	
D868,171	S	11/2019	Wood	
D869,348	S	12/2019	Kucharski	
D871,273	S *	12/2019	Bhaskar	D12/159
D900,250	S	10/2020	Ewing et al.	

2002/0065021	A1	5/2002	Wang	
2002/0077025	A1 *	6/2002	Wu	A63H 17/262 446/465
2002/0160688	A1	10/2002	Rehkemper et al.	
2002/0165031	A1	11/2002	Riefe	
2004/0005931	A1	1/2004	Wang et al.	
2004/0231910	A1	11/2004	Mercier et al.	
2005/0206222	A1	9/2005	Swanson	
2006/0240897	A1	10/2006	Carlini et al.	
2007/0256659	A1	11/2007	Anderson et al.	
2007/0293328	A1	12/2007	Mazziotti	
2008/0238015	A1	10/2008	Duddling et al.	
2009/0020973	A1	1/2009	Richardson	
2009/0029821	A1	1/2009	Martin, III et al.	
2009/0039700	A1	2/2009	Gradu et al.	
2009/0173033	A1	7/2009	Baxter, Jr.	
2011/0001350	A1	1/2011	Schmitz et al.	
2011/0057408	A1	3/2011	Koschinat	
2011/0079978	A1	4/2011	Schreiner et al.	
2011/0315468	A1	12/2011	Sellars et al.	
2013/0278047	A1	10/2013	Gottschalk	
2014/0361507	A1 *	12/2014	Park	B60G 7/001 280/124.134
2015/0191064	A1 *	7/2015	Gielisch	B60G 3/145 280/124.129
2015/0266350	A1 *	9/2015	Morino	B60G 3/06 280/124.134
2017/0028517	A1	2/2017	Ferrari	
2017/0050483	A1	2/2017	Gordon et al.	
2017/0370465	A1	12/2017	Fast et al.	
2019/0054818	A1	2/2019	Garcia et al.	
2019/0210661	A1	7/2019	Cao et al.	
2020/0164708	A1	5/2020	Lim et al.	
2020/0282792	A1	9/2020	Hafele et al.	

FOREIGN PATENT DOCUMENTS

EM	007721154-0006	3/2020
WO	D095551-014	4/2017

OTHER PUBLICATIONS

Axial; Axial SCX10 II; Aug. 2016.
 Bomber; Bomber Fabrication Gusset Kit; Aug. 2016.
 Wikipedia; Dana 44 Axle; Aug. 2016.
 Reid Racing; Reid Racing Axle Products; Aug. 2016.
 Currie; Currie RockJock 79 Axle; Aug. 2016.
 Xray Model Racing Cars; "T1R Raycer-Instruction Manual;" Xray
 Model Racing Cars, Trencin, Slovak Republic, Europe (admitted
 prior art).
 Traxxas; "T-MAXX Assemblies-Front Assembly;" Traxxas LP,
 Plano, Texas (admitted prior art).
 Axle Bearing Carrier Suzuki LTZ400 Kawasaki KFX400 Arctic
 DVX400, Earliest Available Date Jun. 13, 2018 [Online], [Site
 Visited Oct. 28, 2020] Available From Internet, URL: <[https://www.
 amazon.com/Bearing-Carrier-SUZUKI-LTZ400-KAWASAKI/dp/
 B07F22WBPJ](https://www.amazon.com/Bearing-Carrier-SUZUKI-LTZ400-KAWASAKI/dp/B07F22WBPJ)> (Year: 2018).

* cited by examiner

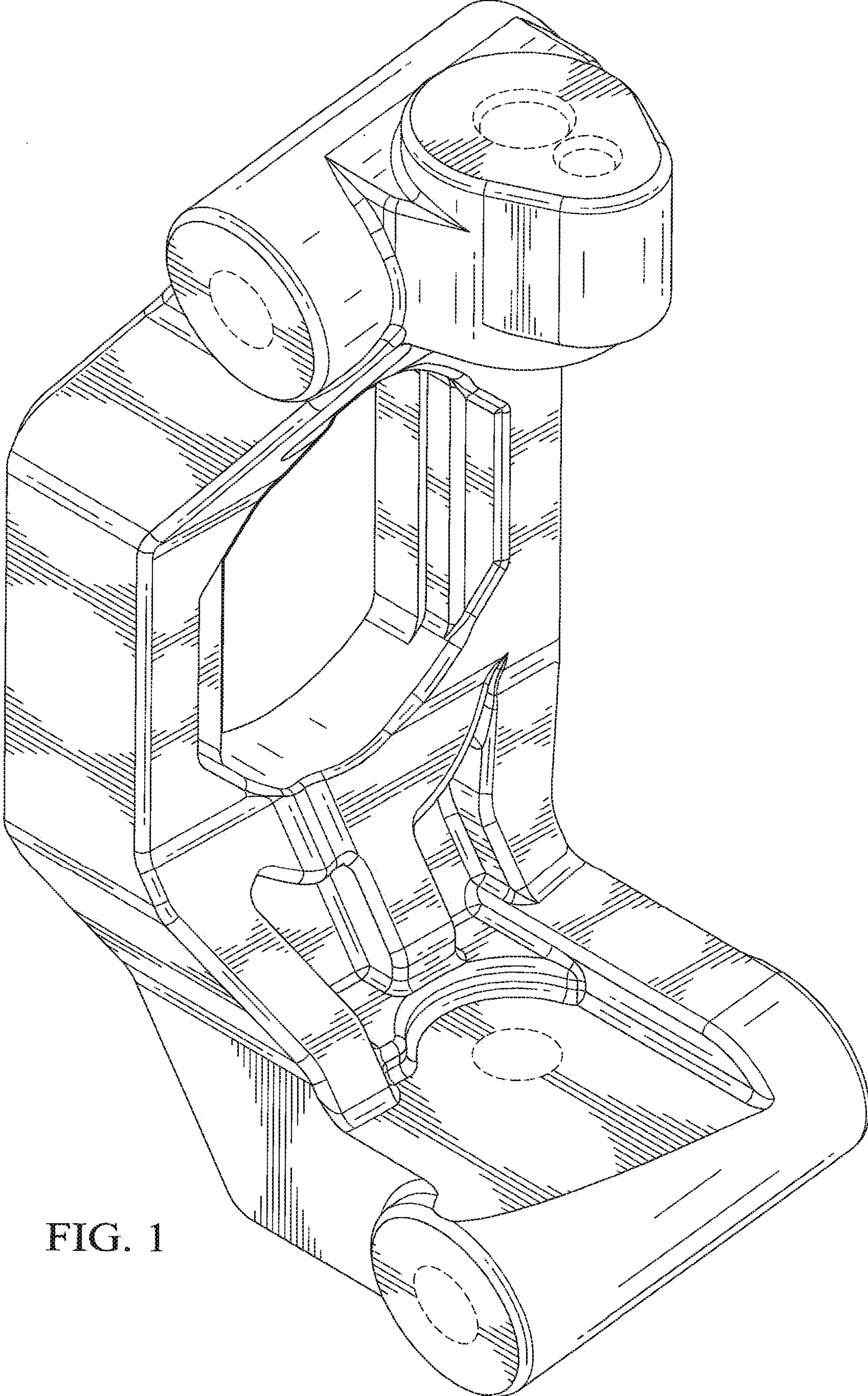


FIG. 1

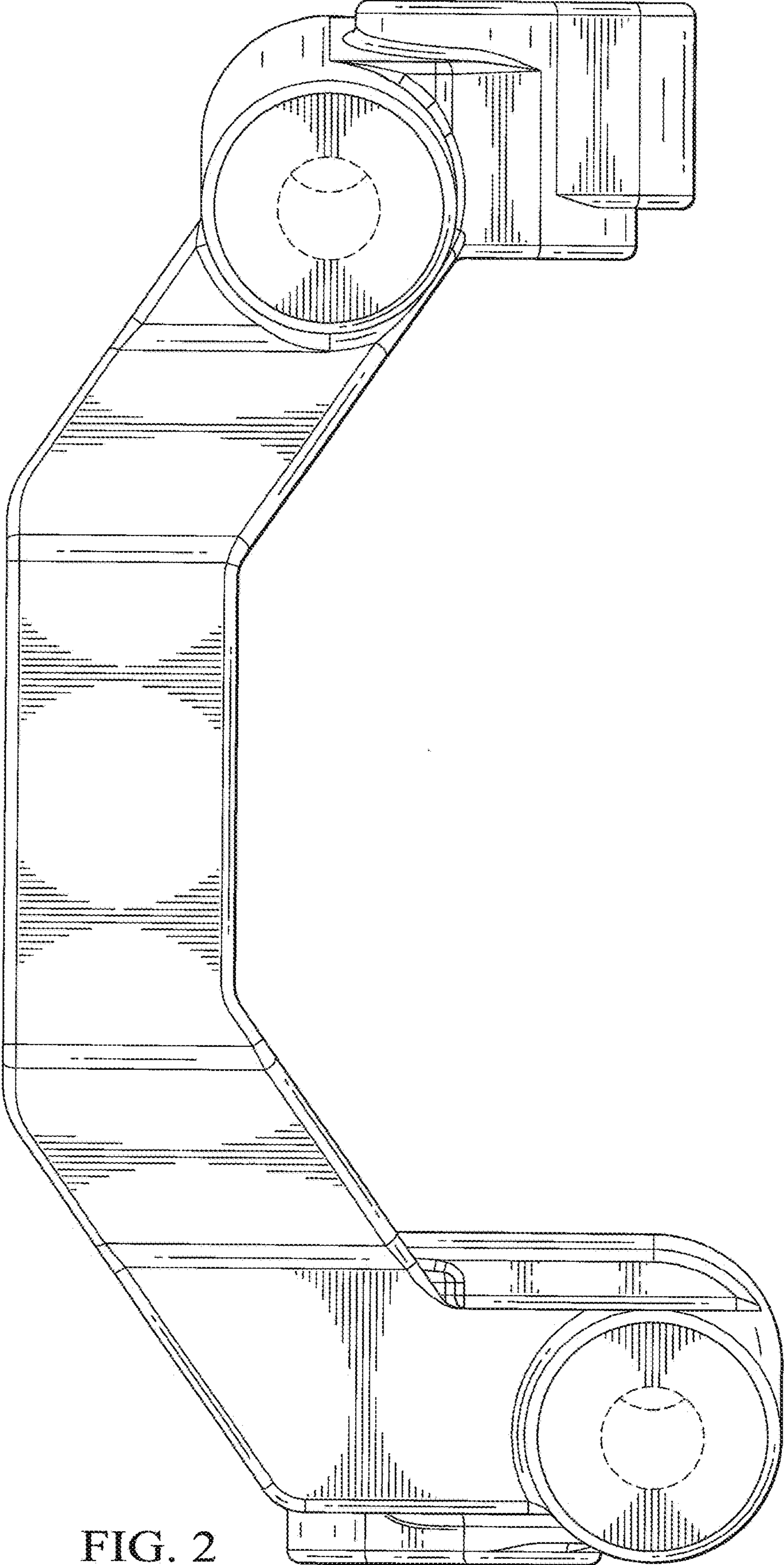


FIG. 2

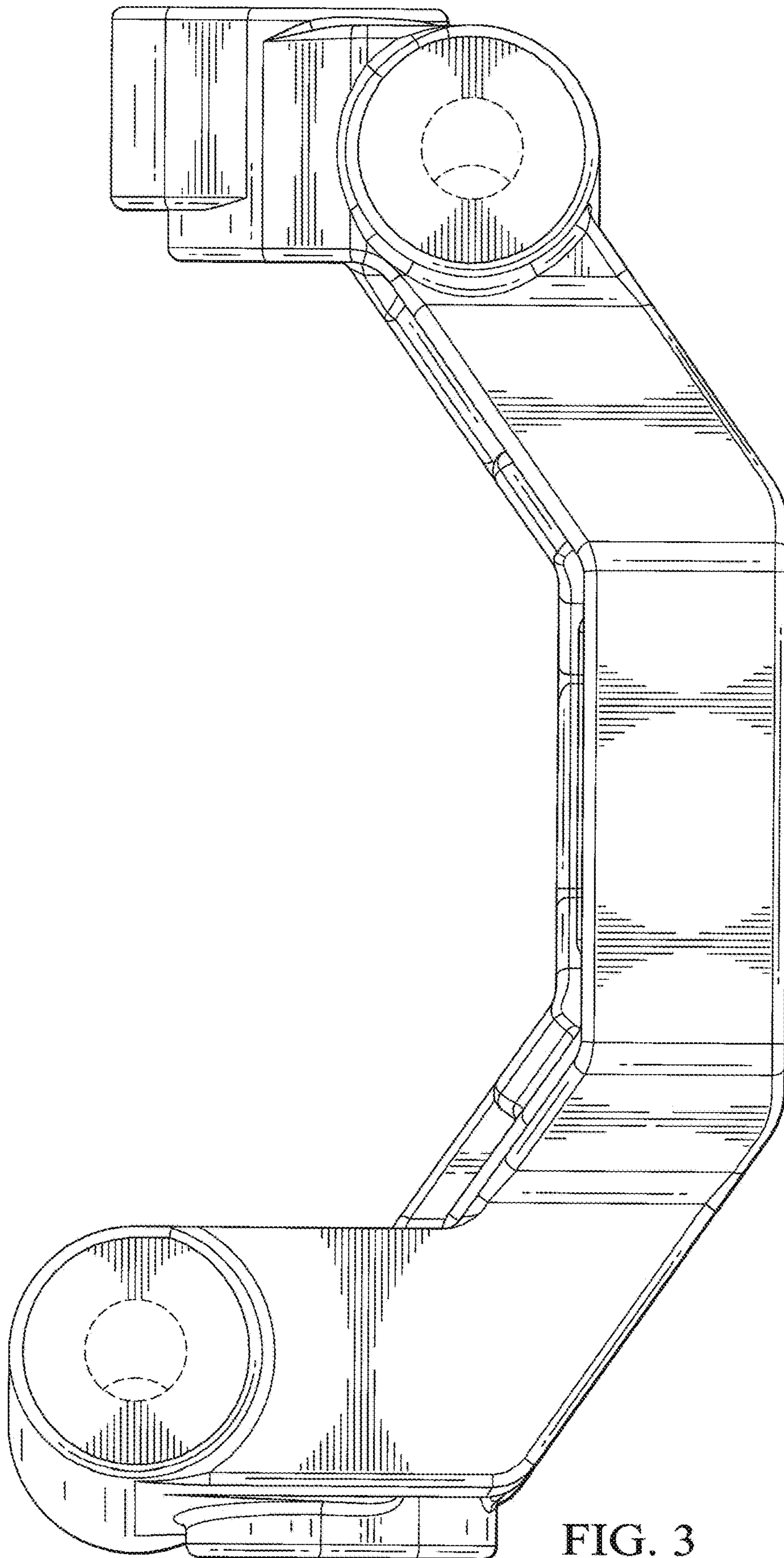


FIG. 3

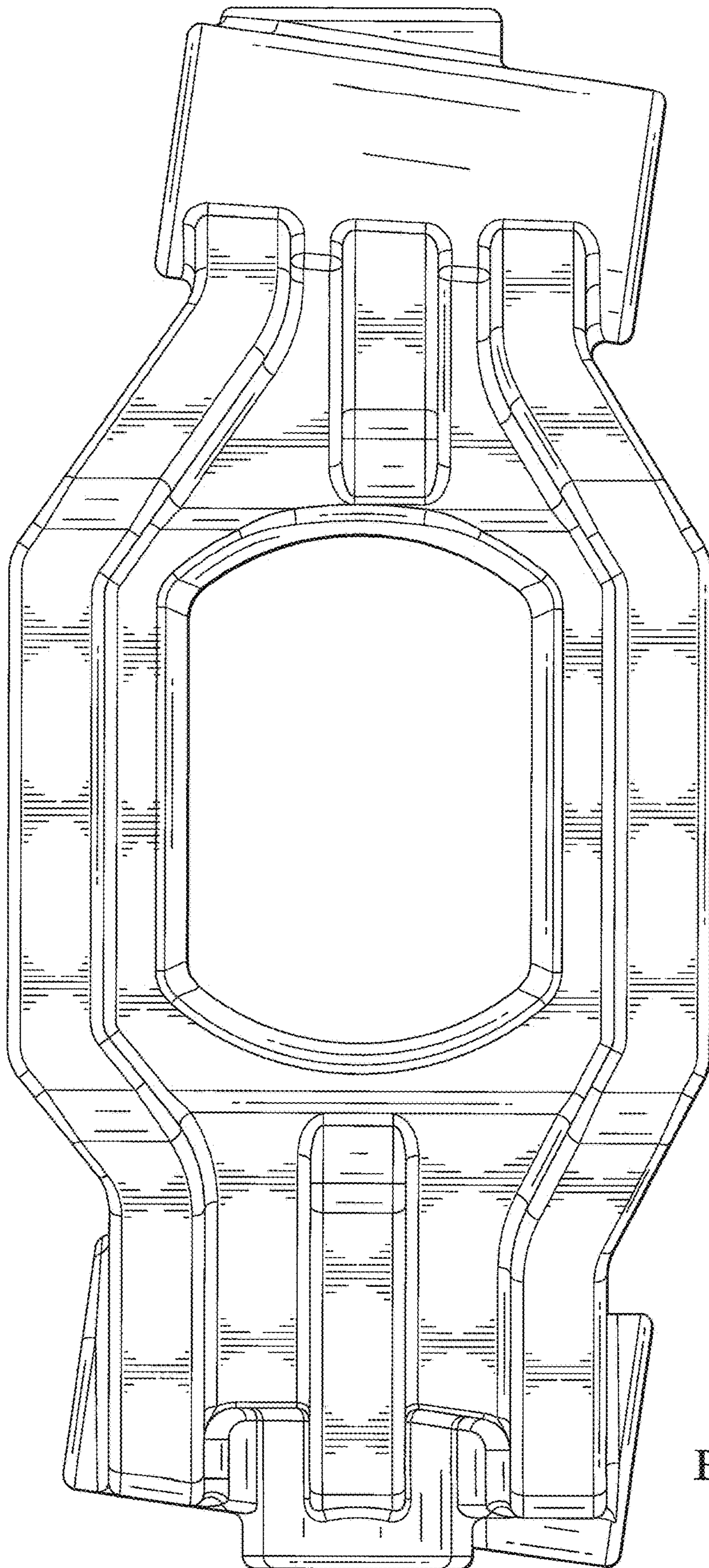


FIG. 4

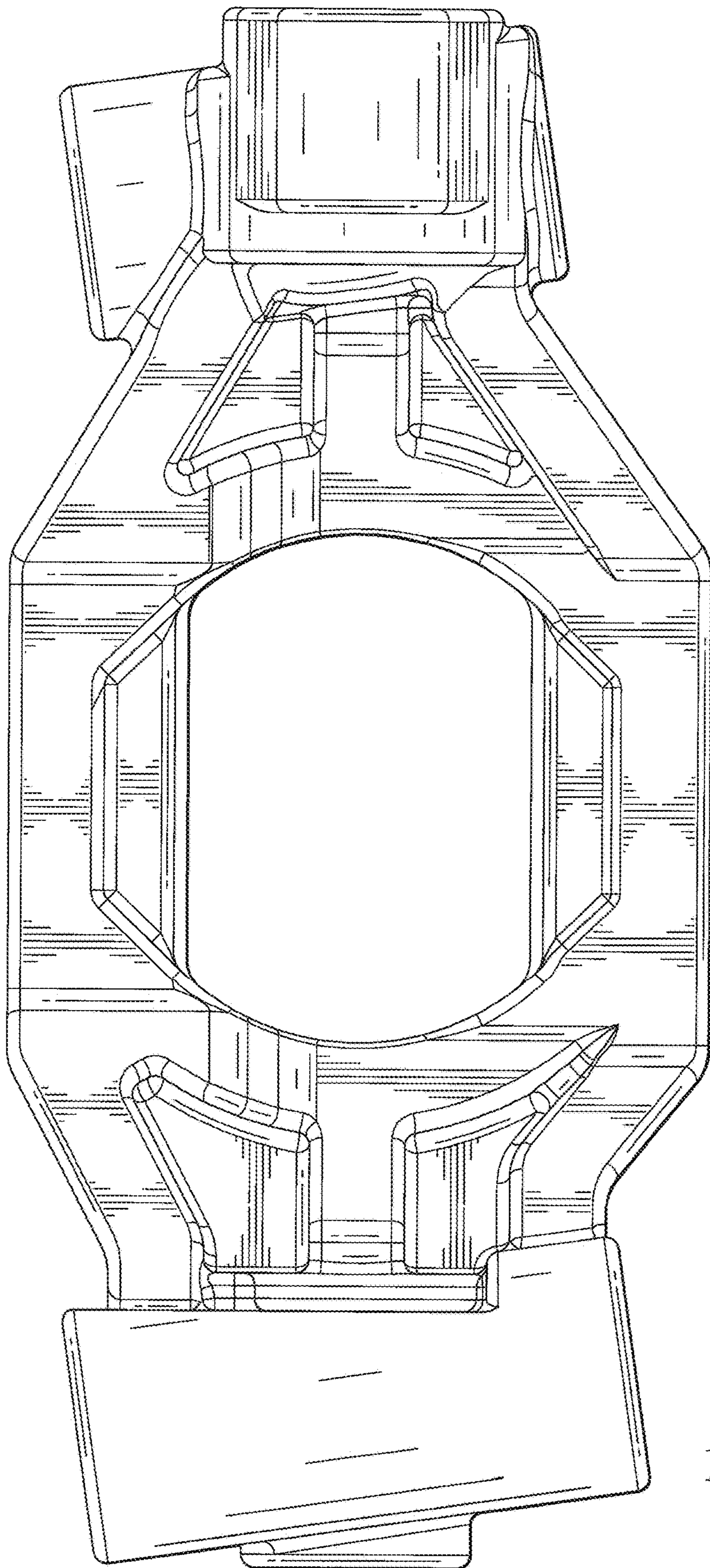


FIG. 5

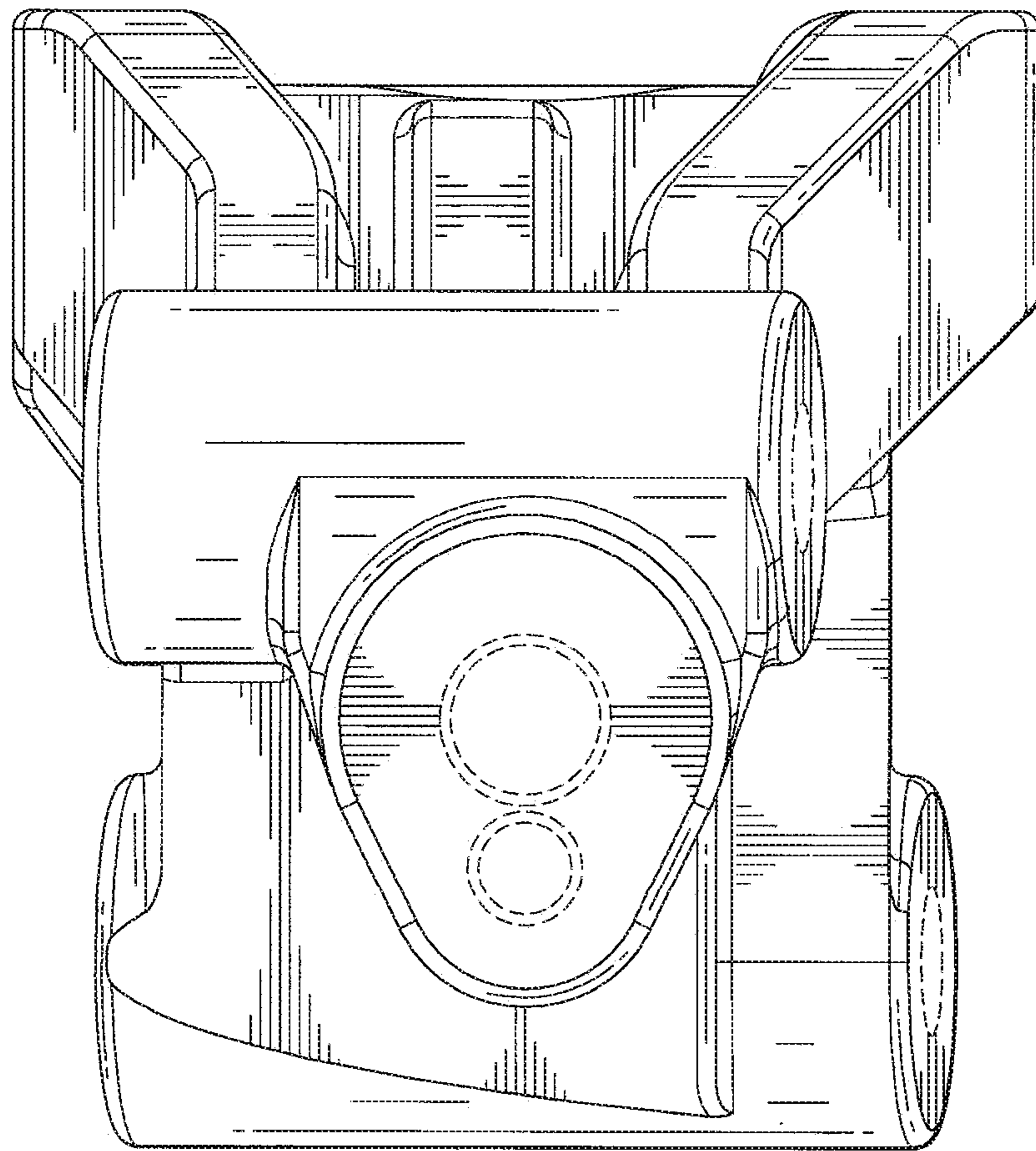


FIG. 6

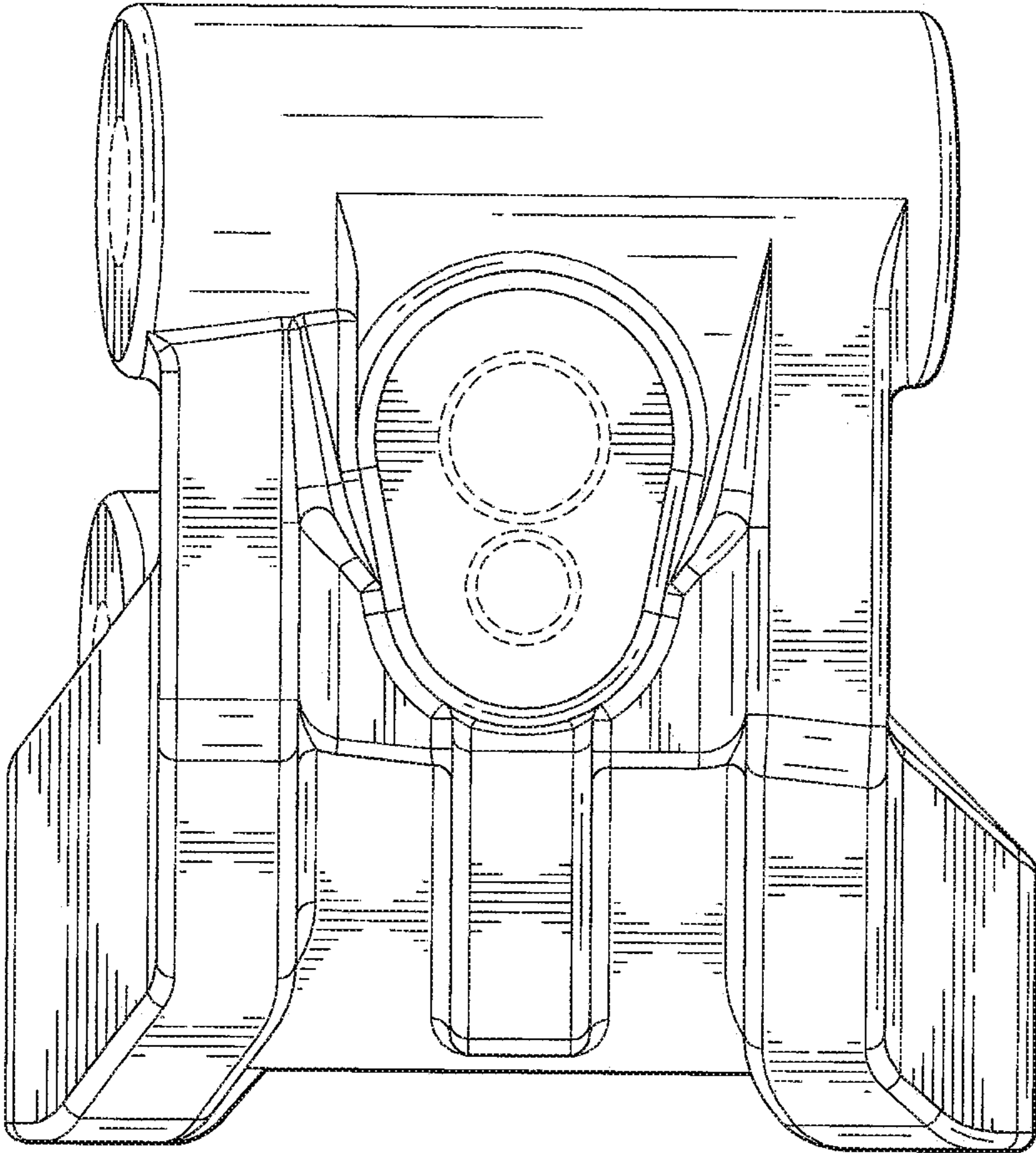


FIG. 7