



US00D923113S

(12) **United States Design Patent** (10) **Patent No.:** **US D923,113 S**
Hagler et al. (45) **Date of Patent:** **** *Jun. 22, 2021**

(54) **MODEL VEHICLE FRONT BUMPER**

FOREIGN PATENT DOCUMENTS

(71) Applicant: **TRAXXAS, LP**, McKinney, TX (US)

TW D147600 S 6/2012
TW D154920 S 7/2013

(72) Inventors: **Skylar Hagler**, Anna, TX (US); **Otto Karl Allmendinger**, Rowlett, TX (US); **Jory Sprowl**, Honey Grove, TX (US); **Jaime Felix Barajas**, Dallas, TX (US)

(Continued)

(73) Assignee: **TRAXXAS LP**, McKinney, TX (US)

OTHER PUBLICATIONS

(*) Notice: This patent is subject to a terminal disclaimer.

TF2 Mojave ARB-DELUXE Metal Front Bumper Assembly, Earliest available date Oct. 22, 2020 [Online], [Site Visited Oct. 22, 2020] Available From Internet, URL: <https://www.aliexpress.com/i/4000118857581.html> (Year: 2020).*

(Continued)

(**) Term: **15 Years**

Primary Examiner — Cynthia M. Chin

(21) Appl. No.: **29/708,792**

(74) *Attorney, Agent, or Firm* — Daryl R. Wright; Greg Carr

(22) Filed: **Oct. 9, 2019**

(51) **LOC (13) Cl.** **21-01**

(52) **U.S. Cl.**

USPC **D21/561**

(58) **Field of Classification Search**

USPC D21/424, 433, 434, 483, 495, 522, D21/533-562; D12/86-93, 98, 159, D12/163-172, 401, 400, 190; 446/431, 446/448, 454-456, 465-466, 470-471
CPC B60G 2204/128; B60G 13/003; B62D 25/00; B62D 35/00; A63H 17/262; A63H 17/00; A63H 17/395; A63H 17/38; A63H 17/26; A63H 17/28; A63H 33/042; A63H 3/16; A63H 3/50; A63H 30/00; A63H 7/04; A63H 17/36; A63H 17/264; A63H 17/004; A63H 30/04; B60R 19/02; B60R 19/023; B60R 19/18; B60R 19/24; B60R 19/44;

(Continued)

(57) **CLAIM**

We claim the ornamental design for a model vehicle front bumper, as shown and described.

DESCRIPTION

FIG. 1 is an upper, left, front perspective view of a model vehicle front bumper, according to our new design; FIG. 2 is a front elevation view thereof; FIG. 3 is a rear elevation view thereof; FIG. 4 is a left side elevation view thereof; FIG. 5 is a right side elevation view thereof; FIG. 6 is an upper plan view thereof; FIG. 7 is a lower plan view thereof; FIG. 8 is a lower, right, rear perspective view thereof; and, FIG. 9 is a lower, left, front perspective environmental use view of the model vehicle front bumper.

In the drawings, the broken lines showing features of the model vehicle front bumper form no part of the claimed design.

The broken lines in FIG. 9 depict environmental subject matter that form no part of the claimed design.

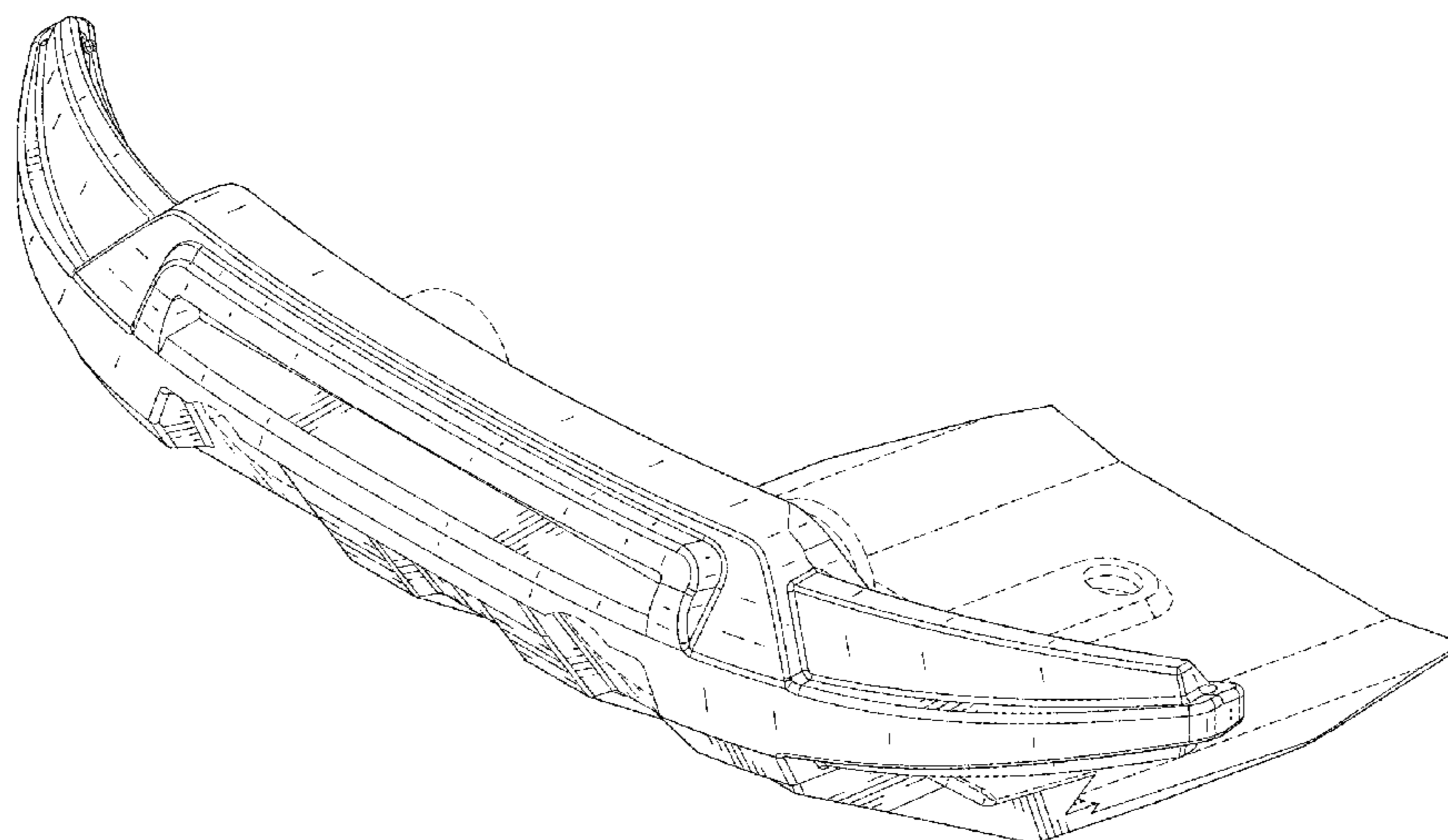
(56) **References Cited**

U.S. PATENT DOCUMENTS

1,355,592 A 10/1920 De Graw
1,414,382 A 5/1922 Stafford

(Continued)

1 Claim, 8 Drawing Sheets



(58) **Field of Classification Search**
 CPC ... B60R 19/48; B60R 19/56; B60R 2019/527;
 B60R 2019/1886
 See application file for complete search history.

(56) **References Cited**
 U.S. PATENT DOCUMENTS

1,427,624 A 8/1922 Newton
 1,448,504 A 3/1923 Plante
 1,464,321 A 8/1923 Koester et al.
 1,468,868 A 9/1923 Reichstetter, Jr. et al.
 1,487,352 A 3/1924 Nelson
 1,494,867 A 5/1924 Rahe
 1,509,394 A 9/1924 Cox
 1,534,760 A 4/1925 Blackmore
 1,633,603 A 6/1927 Spencer
 1,655,978 A 1/1928 Vella
 1,729,731 A 10/1929 Vidach
 1,836,610 A 12/1931 McMurdo
 1,867,708 A 7/1932 Paton
 1,982,775 A 12/1934 Williams
 2,038,964 A 4/1936 Smith
 2,144,357 A 1/1939 Booharin
 2,146,642 A 2/1939 Mueth
 2,227,560 A 1/1941 Szabo
 2,236,507 A 4/1941 Kreits
 D160,661 S 12/1949 Ross
 2,502,483 A 4/1950 Sauer et al.
 2,604,349 A 7/1952 Martinetz
 3,547,469 A 12/1970 Sancioni
 3,663,048 A 5/1972 Zimmerle
 3,689,054 A 9/1972 Gouirand
 D225,523 S 12/1972 Nunn
 3,756,643 A 9/1973 Weed
 3,774,948 A 11/1973 Gouirand
 3,782,767 A 1/1974 Moore
 3,829,118 A 8/1974 Gouirand
 3,837,695 A 9/1974 Haase et al.
 D234,194 S 1/1975 Cline
 3,938,840 A 2/1976 Haase et al.
 3,971,583 A 7/1976 Kornhauser
 4,264,094 A 4/1981 White et al.
 D275,776 S 10/1984 Horowitz et al.
 D300,128 S 3/1989 Brennan
 5,181,699 A 1/1993 Chang
 5,326,083 A 7/1994 Wydra et al.
 D360,865 S 8/1995 Hanson
 D375,067 S 10/1996 Bronstein
 D403,023 S 12/1998 Araki
 5,971,451 A 10/1999 Huang
 D420,634 S 2/2000 Nelson
 D420,962 S 2/2000 Chevalier
 D422,953 S 4/2000 Waagenaar
 D425,462 S 5/2000 Ujiie
 D431,506 S 10/2000 Runfola
 D432,469 S 10/2000 Nelson
 6,217,090 B1 4/2001 Berzinji
 D454,098 S 3/2002 McGuinness
 D454,099 S 3/2002 McGuinness
 D454,817 S 3/2002 McGuinness
 D455,684 S 4/2002 McGuinness
 D455,988 S 4/2002 McGuinness
 D462,401 S 9/2002 Wu
 D462,727 S 9/2002 Wu
 D464,087 S 10/2002 Wu
 D476,606 S 7/2003 Hamm et al.
 D485,219 S 1/2004 Hamm et al.
 D487,038 S 2/2004 Chan
 D502,433 S 3/2005 McClanahan
 D506,421 S 6/2005 Newbill
 D521,572 S 5/2006 Yuen
 7,097,222 B2 8/2006 Ran
 D527,696 S 9/2006 Ichikawa et al.
 D532,348 S 11/2006 Kudo et al.
 D533,606 S 12/2006 Kaminski
 D534,593 S 1/2007 Yuen

D577,083 S 9/2008 Nakayama
 D580,322 S 11/2008 Schroeder et al.
 D590,752 S 4/2009 Williams et al.
 D593,616 S 6/2009 Asai
 D606,913 S 12/2009 Robertson
 7,703,834 B1 4/2010 Hardy et al.
 D636,305 S 4/2011 Alvarez et al.
 D642,099 S 7/2011 Nagao et al.
 D683,281 S 5/2013 Harriton
 D691,074 S 10/2013 Dugardin
 D697,842 S 1/2014 Harriton
 D699,640 S 2/2014 Duderstadt
 D704,107 S 5/2014 Peltola et al.
 D713,305 S 9/2014 Sperling et al.
 D716,201 S * 10/2014 Ewing D12/171
 D722,927 S 2/2015 Schroeder et al.
 D726,605 S 4/2015 Schroeder
 D728,038 S * 4/2015 Ewing D21/561
 D737,181 S 8/2015 Smith et al.
 D737,724 S 9/2015 Schroeder et al.
 D737,739 S 9/2015 Hanson et al.
 D740,730 S 10/2015 Peltola et al.
 D741,233 S 10/2015 Glover et al.
 D744,384 S 12/2015 Harriton
 D744,386 S 12/2015 Harriton
 D744,387 S 12/2015 Harriton
 D744,388 S 12/2015 Harriton
 D749,021 S 2/2016 Boniface et al.
 D749,995 S 2/2016 Azadi et al.
 D751,012 S 3/2016 Hare
 D753,034 S 4/2016 Thole et al.
 D760,133 S 6/2016 Bennett et al.
 D761,166 S 7/2016 Hare
 D763,745 S 8/2016 Lee, IV et al.
 D771,537 S 11/2016 Hare
 D775,013 S 12/2016 Bennett et al.
 D775,016 S 12/2016 Reynolds
 D776,582 S 1/2017 Bennett et al.
 D777,618 S 1/2017 Setina
 D777,619 S * 1/2017 Barajas D12/171
 D778,213 S 2/2017 Platto et al.
 D778,784 S 2/2017 Hirooka
 D781,193 S 3/2017 McMath
 D781,757 S * 3/2017 Baggett D12/167
 D784,869 S 4/2017 Yamamoto
 D785,504 S 5/2017 Higgs
 D786,745 S 5/2017 Zeng
 D789,258 S 6/2017 McMath
 D792,817 S 7/2017 McMath
 D792,818 S 7/2017 McMath
 D793,304 S 8/2017 McMath
 D794,519 S 8/2017 McMath
 D796,399 S 9/2017 Steen
 D800,028 S * 10/2017 Baggett D12/167
 D800,036 S 10/2017 Bennett et al.
 D800,226 S 10/2017 Zeng
 D801,892 S 11/2017 Drever
 D811,956 S 3/2018 Zeng
 D821,275 S 6/2018 Eck et al.
 D823,750 S 7/2018 Schulzetenberg et al.
 D826,115 S 8/2018 Chi
 D826,116 S * 8/2018 DiCanzio D12/172
 D827,054 S 8/2018 Ewing et al.
 D827,055 S * 8/2018 Barajas D21/561
 D830,919 S 10/2018 Zeng
 D832,161 S 10/2018 Kobayashi
 D832,368 S 10/2018 Barajas et al.
 D833,922 S 11/2018 DiCanzio
 D845,844 S 4/2019 Langhals et al.
 D845,845 S 4/2019 Goodrich et al.
 D845,846 S 4/2019 Goodrich et al.
 D845,847 S 4/2019 Piscitelli et al.
 D846,460 S 4/2019 Goodrich et al.
 D846,461 S 4/2019 Piscitelli et al.
 D846,462 S 4/2019 DiCanzio
 D847,051 S * 4/2019 DiCanzio D12/171
 D847,709 S 5/2019 Neal
 D850,334 S 6/2019 DiCanzio
 D864,806 S 10/2019 Wood

(56)

References Cited

U.S. PATENT DOCUMENTS

D870,615 S * 12/2019 Wood D12/171
 D873,729 S 1/2020 Rolfs et al.
 D873,730 S 1/2020 Goodrich et al.
 D873,731 S 1/2020 Goodrich et al.
 D873,734 S 1/2020 Goodrich et al.
 D874,998 S 2/2020 Zhang
 D874,999 S * 2/2020 Ewing D12/171
 D877,003 S * 3/2020 Izard D12/169
 D877,670 S 3/2020 Moctezuma
 D878,976 S 3/2020 Goodrich et al.
 D878,978 S 3/2020 Li
 D880,381 S * 4/2020 DiCanzio D12/171
 D887,328 S * 6/2020 Lee D12/171
 D889,332 S 7/2020 Chi
 D891,330 S 7/2020 Lenz, Jr.
 D893,366 S 8/2020 Dewitt et al.
 D894,802 S * 9/2020 Grand D12/169
 D894,803 S * 9/2020 DiCanzio D12/169
 D904,244 S 12/2020 Wood et al.
 2006/0192398 A1 8/2006 Buniewicz et al.
 2006/0261613 A1 11/2006 Byers et al.
 2009/0212581 A1 8/2009 Drever
 2009/0302623 A1 12/2009 Finney
 2013/0187395 A1 7/2013 Hanson et al.
 2017/0088076 A1 3/2017 Fujimoto et al.
 2017/0247014 A1 8/2017 Farooq et al.
 2017/0349227 A1 12/2017 Spindler et al.
 2018/0072254 A1 * 3/2018 Wymore B60R 9/065
 2019/0337476 A1 * 11/2019 Hare B60R 19/48

FOREIGN PATENT DOCUMENTS

TW D163365 S 10/2014
 TW D168397 S 6/2015
 TW D169825 S 8/2015

OTHER PUBLICATIONS

Traxxas 5834 Front Bumper Mount Front Adapter 2WD Slash 4x4, Earliest available date Jul. 15, 2020 [Online], [Site Visited Oct. 22, 2020] Available From Internet, URL: <https://www.ebay.com/itm/Traxxas-5834-Front-Bumper-Mount-Front-Adapter-2WD-Slash-4x4-174332832512?_trksid=p2385738.m4383.14275.c10> (Year: 2020).
 Traxxas TRA6736 Bumper, Front/ Bumper Support, Earliest available date Oct. 22, 2020 [Online], [Site Visited Oct. 22, 2020] Available From Internet, URL: <<https://www.amazon.com/Traxxas-TRA6736-Bumper-Front-Support/dp/B07HJF56V1#customerReviews>> (Year: 2020).
 TRAXXAS LP; The New Traxxas Summit 16.8 V Electric Extreme Terrain Monster Truck; Traxxas Press Release; Oct. 16, 2008.

Summit E-Revo Crawler SP08503 front bumper; Oct. 16, 2008.
 “How Do I Add a Ball Hitch to my RPM Rear Bumper (T/E-Maxx & Revo Bumpers)?” RPM, Jul. 30, 2005 [online], [retrieved on Sep. 12, 1996]. Retrieved from the internet, URL: <http://www.rpmreproducts.com/faq/add-ball-hitch-rpm-rear-bumper-te-maxx-revo-bumpers/>.
 “Warn 87750 Elite Series Front Bumper with Grill Guard Tube” RPM, Jul. 17, 2013 [online], [retrieved on Sep. 12, 2016]. Retrieved from Internet, URL: https://www.amazon.com/gp/product/B00625F4FI/ref=pd_sim_263_5?ie=UTF8&pd_rd_i=B00625F4FI&pd_rd_r=QN6NZ5WV34ZS00Z3BSGH&pd_rd_w=4XjJD&pd_rd_wg=7Z80V&psc=1&refRID=QN6NZ5WV34ZS0.
 “Yeah Racing F/R Bumper w/ HD Shackie & LED’s—SCX10, Traxxas.” RC Hobbies, Nov. 12, 2014 [online], [retrieved on Sep. 12, 2016]. Retrieved from the Internet <URL: http://rchoobbies.com.au/store/product_info.php?products_id=80405>.
 Taiwan IPO Search Report; Taiwan Design Patent App No. 105301434; dated Aug. 4, 2016.
 Associated Electrics; “Catalog and Parts Listing for the Monster GT Truck”; 2003; Associated Electrics, Inc., Costa Mesa, California.
 Horizon Hobby; “Team Losi LST Super Truck—Drive Train Assy” exploded view; Horizon Hobby, Inc., Champaign, Illinois.
 HPI Racing, “Savage 21 4WD Giant Monster Truck” p. 56 exploded view; Hobby Products International, Foothill Ranch, California.
 Tamiya, “Terra Crusher Parts Breakdown—Front End”; Tamiya America, Inc., Aliso Viejo, California.
 Tamiya, “Wild Willy 2 Parts Breakdown”; 1999, Tamiya America, Inc., Aliso Viejo, California.
 Tamiya, “Wild Willy”; Tamiya America, Inc., Aliso Viejo, California; 1 photograph.
 TRAXXAS, “T-MAXX Assemblies—Front Assembly”; TRAXXAS LP, Plano, Texas.
 Axial SCX10 II 2000 Jeep Cherokee; <http://www.axialracing.com/products/ax90047>; Aug. 2016.
 Axial SCX 10 Deadbolt; <http://www.axialracing.com/products/ax90044>; Aug. 2016.
 Traxxas; Bumper support geometry, body mounts, body mount posts; <https://traxxas.com/products/parts/3619>; Oct. 2016.
 Sema 2015 Fab Fours; 2 photos.
 PL6088-00 Front Proline Ridge-Line Bumper (SMAL), Earliest Available Date May 2, 2019 [Online], [Site Visited Oct. 20, 2020] Available From Internet, URL: <https://www.ebay.com/itm/PL6088-00-Front-PROLINE-RIDGE-LINE-BUMPER-SMAL-SET-VOOR-NARROW-ROCK-CRAWLING-/153425968229?_trksid=p2385738.m4383.14275.c10> (Year: 2019).
 Traxxas TRX-4 Winch Front Bumper, Earliest Available Date May 22, 2019 [Online], [Site Visited Oct. 20, 2020] Available From Internet, URL: <https://www.amainhobbies.com/traxxas-trx-4-winch-front-bumper-tra8124/p779826?gclid=EAlalQobChMI0aymroXE7AIVD02GCh0ntA-WEAQYBSABEgJl5_D_BwE> (Year: 2019).

* cited by examiner

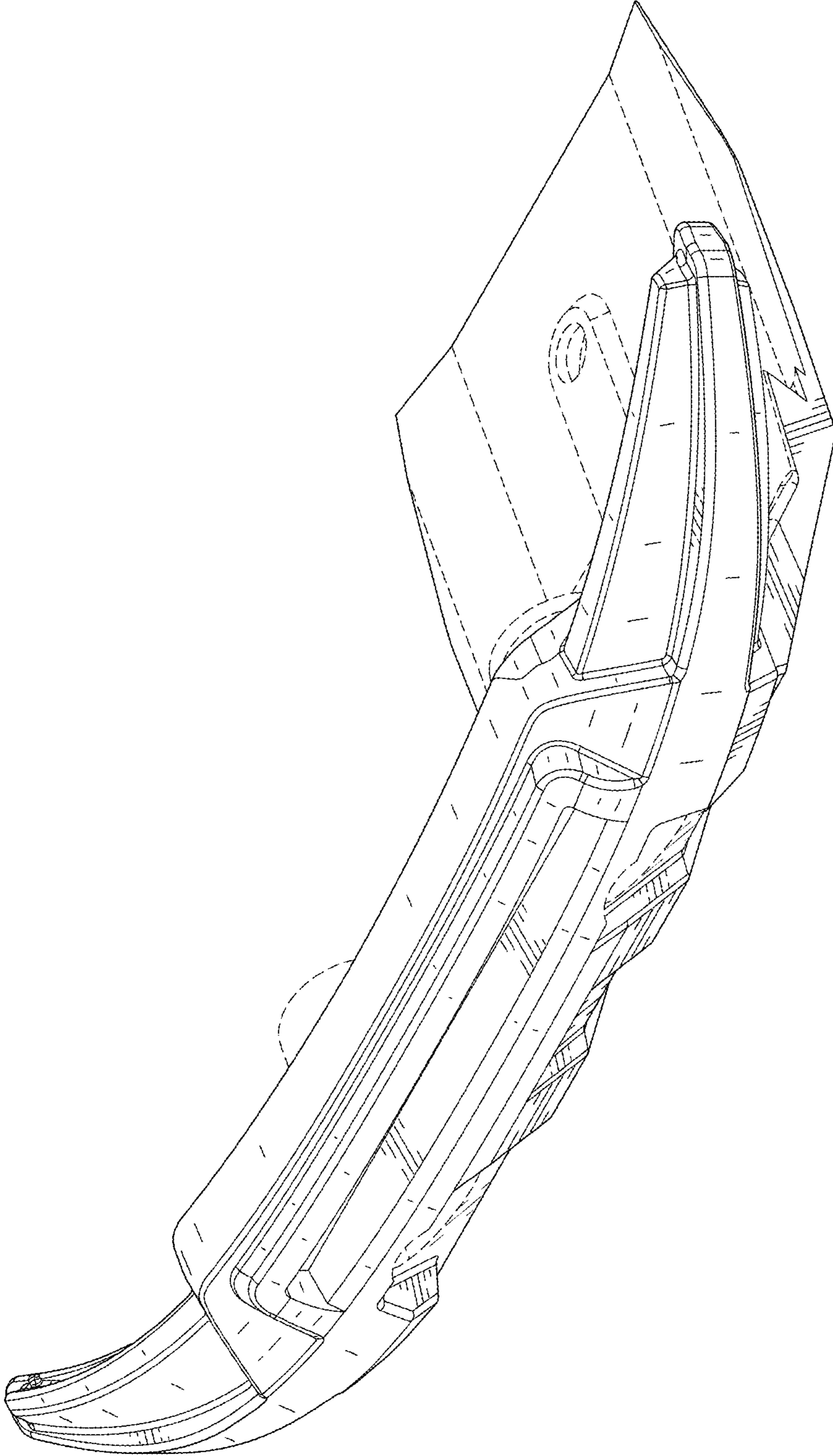


FIG. 1

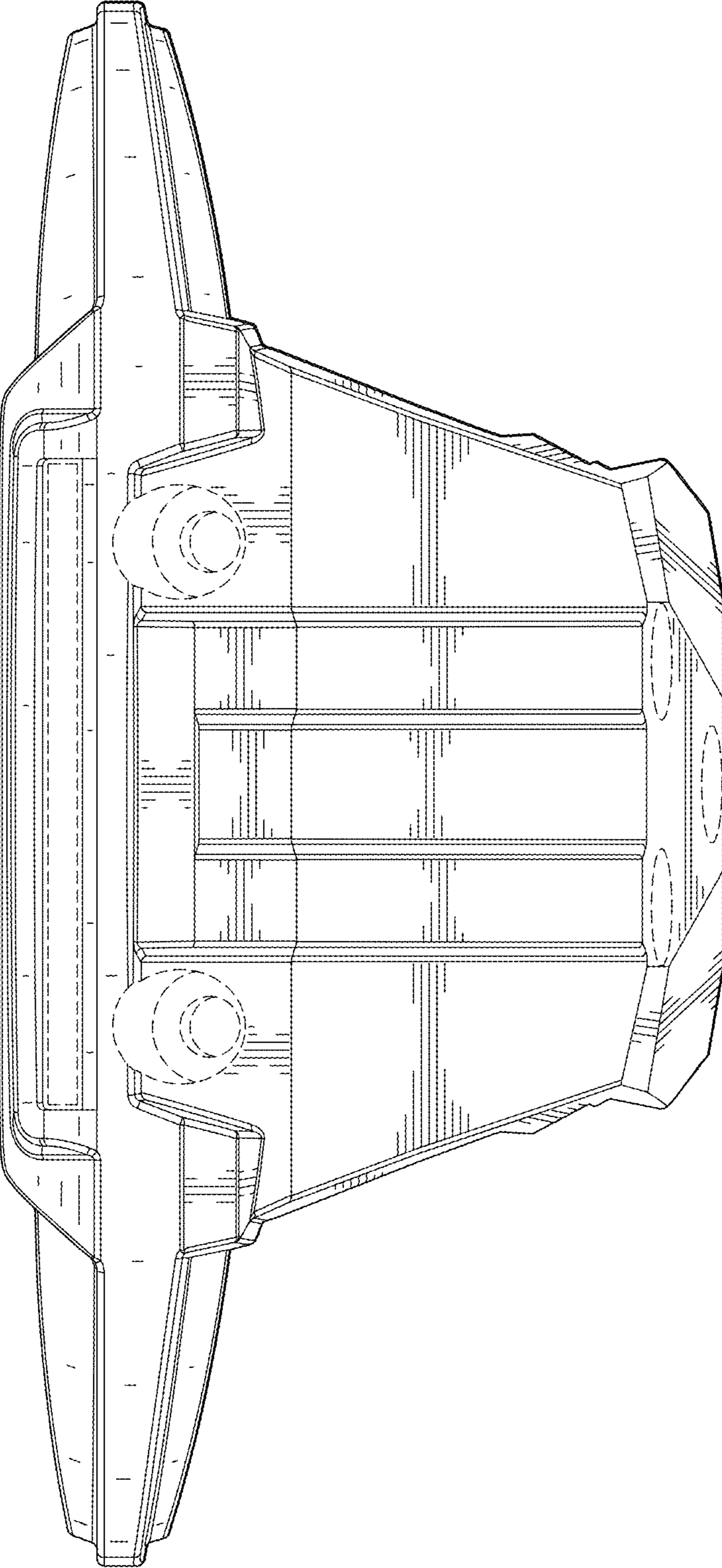


FIG. 2

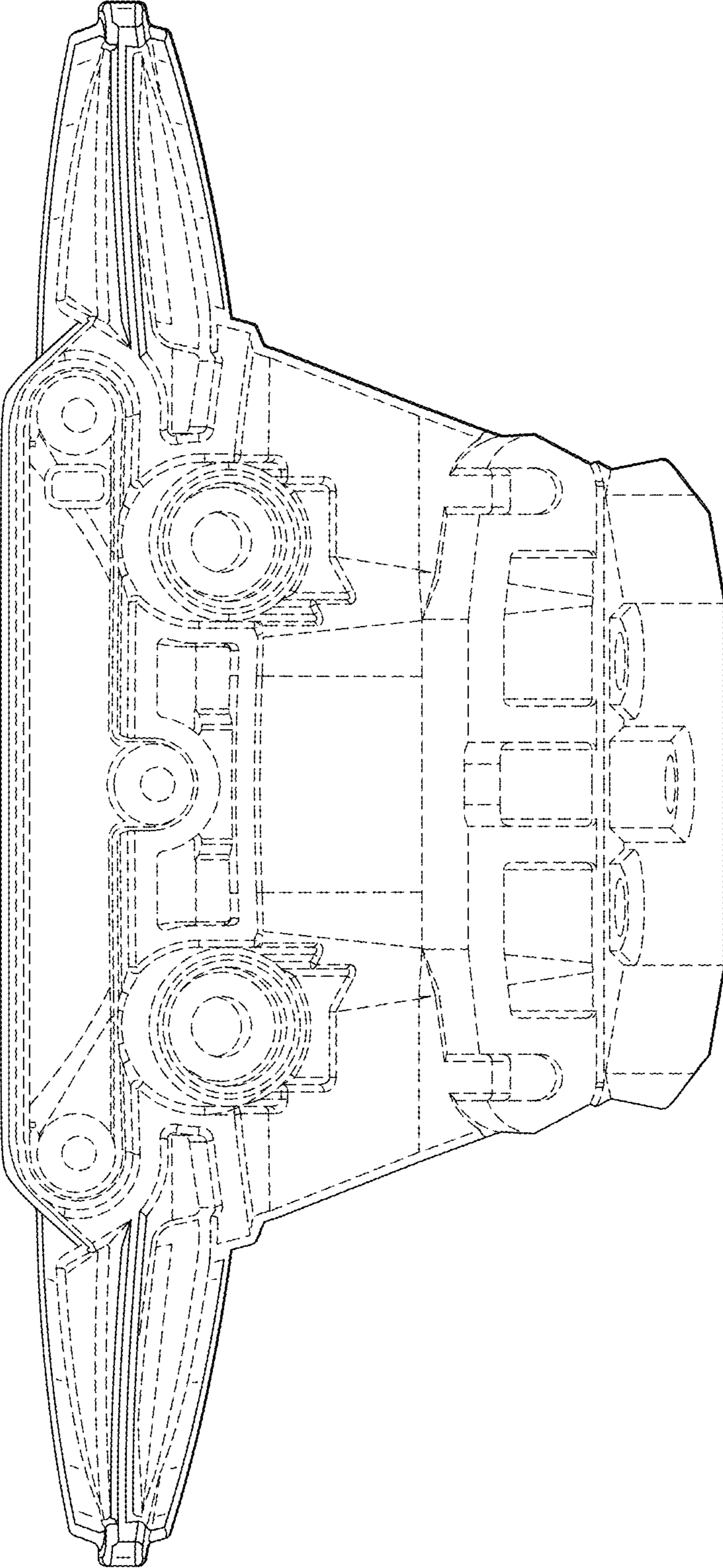


FIG. 3

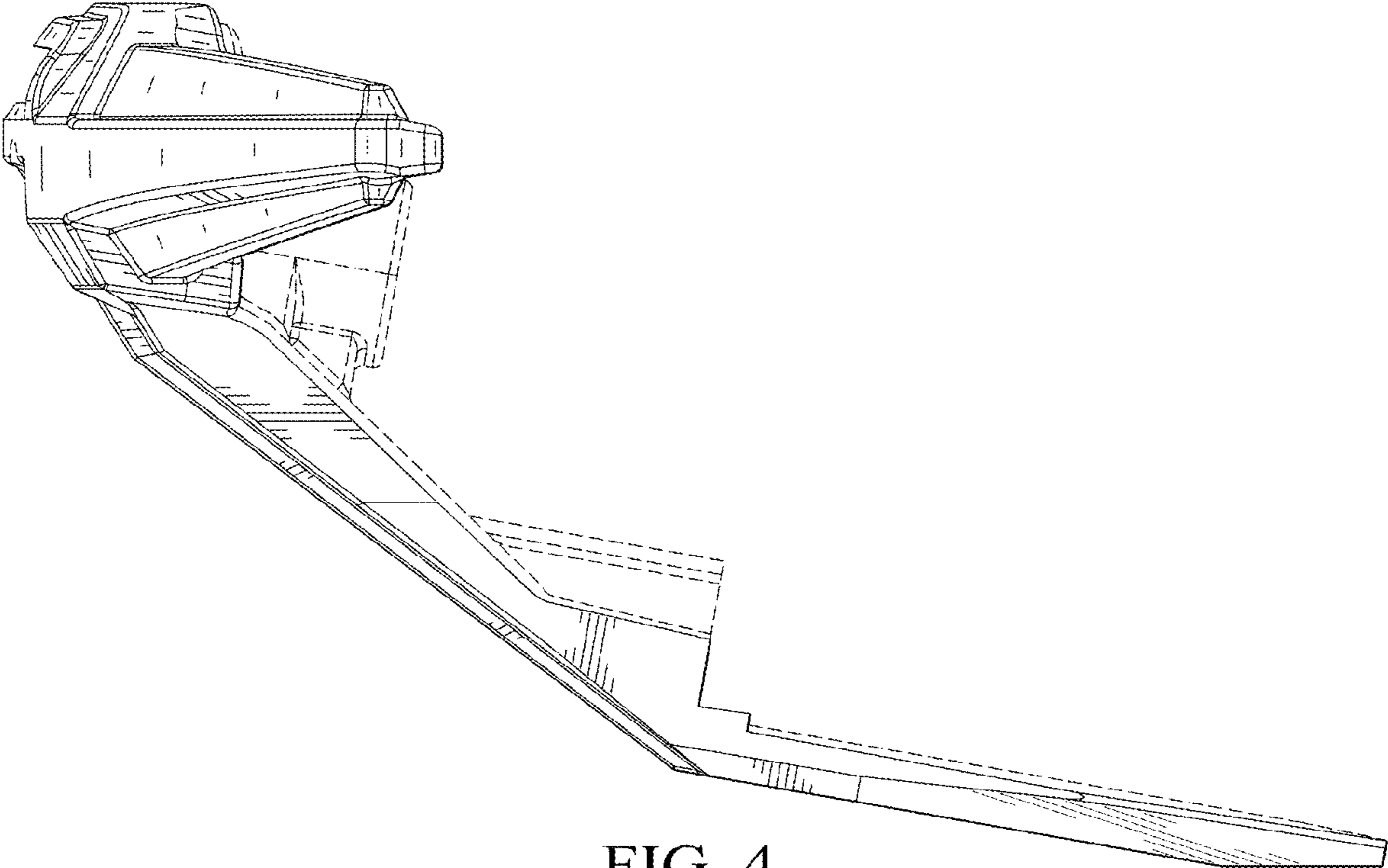


FIG. 4

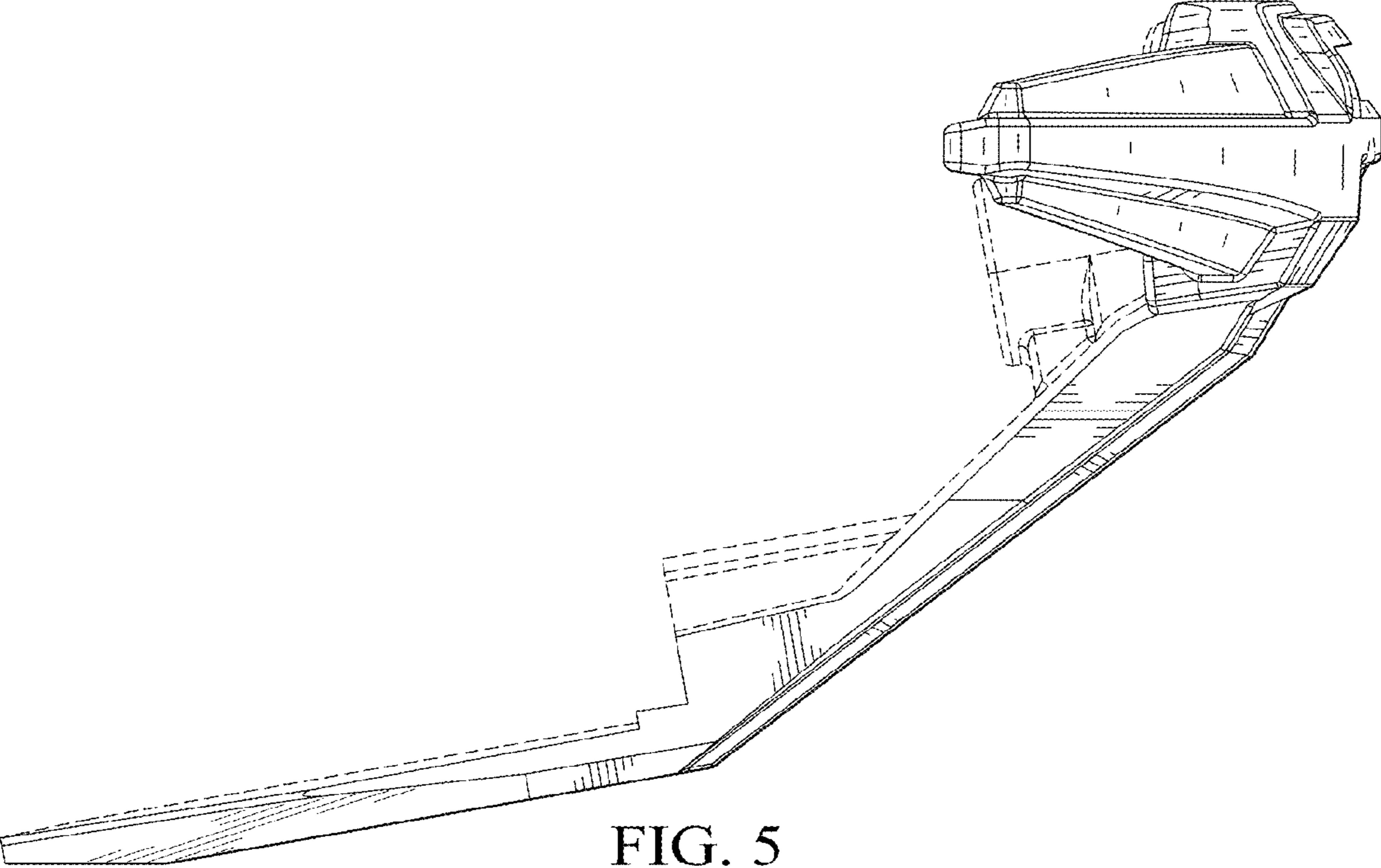


FIG. 5

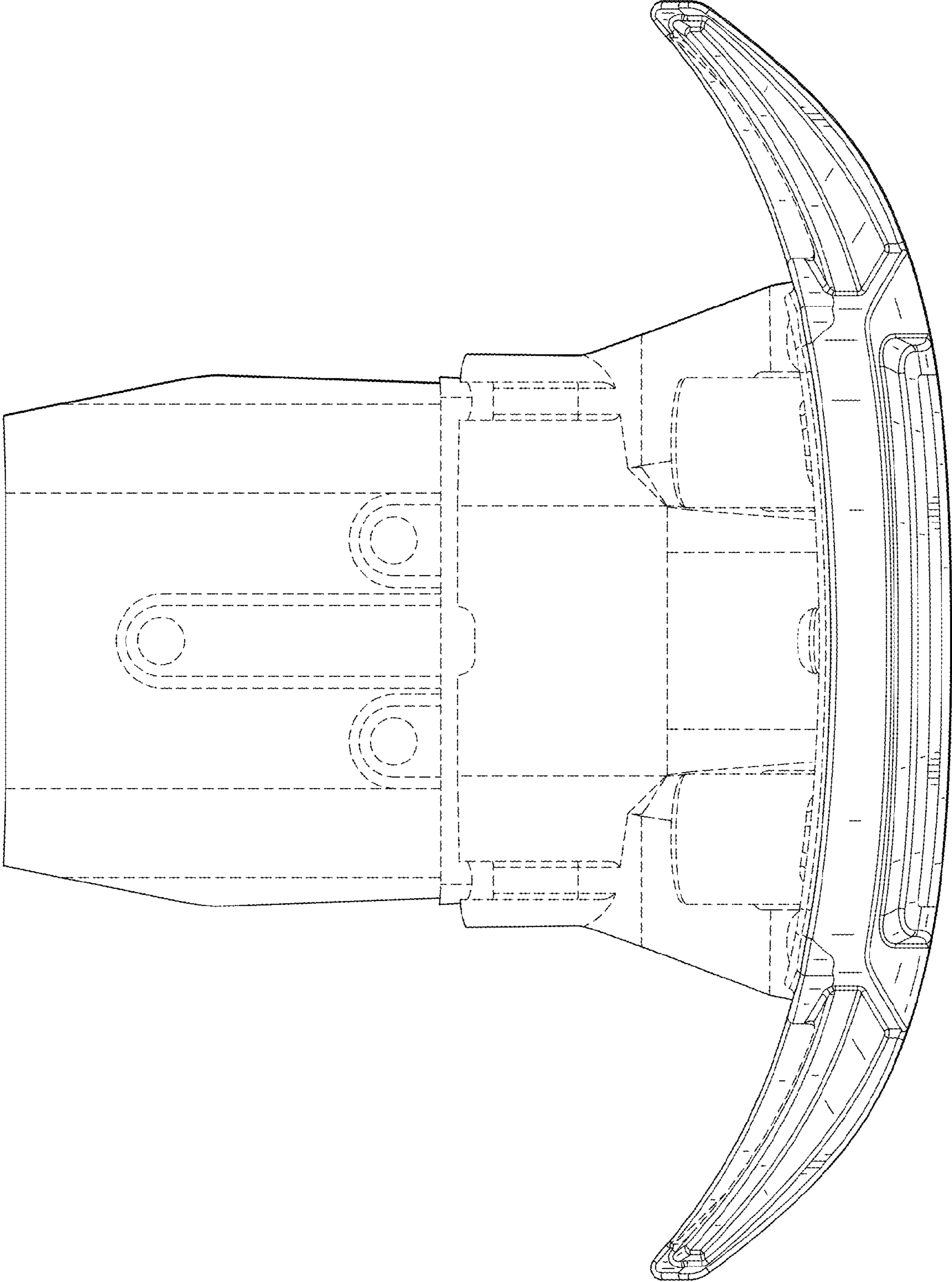


FIG. 6

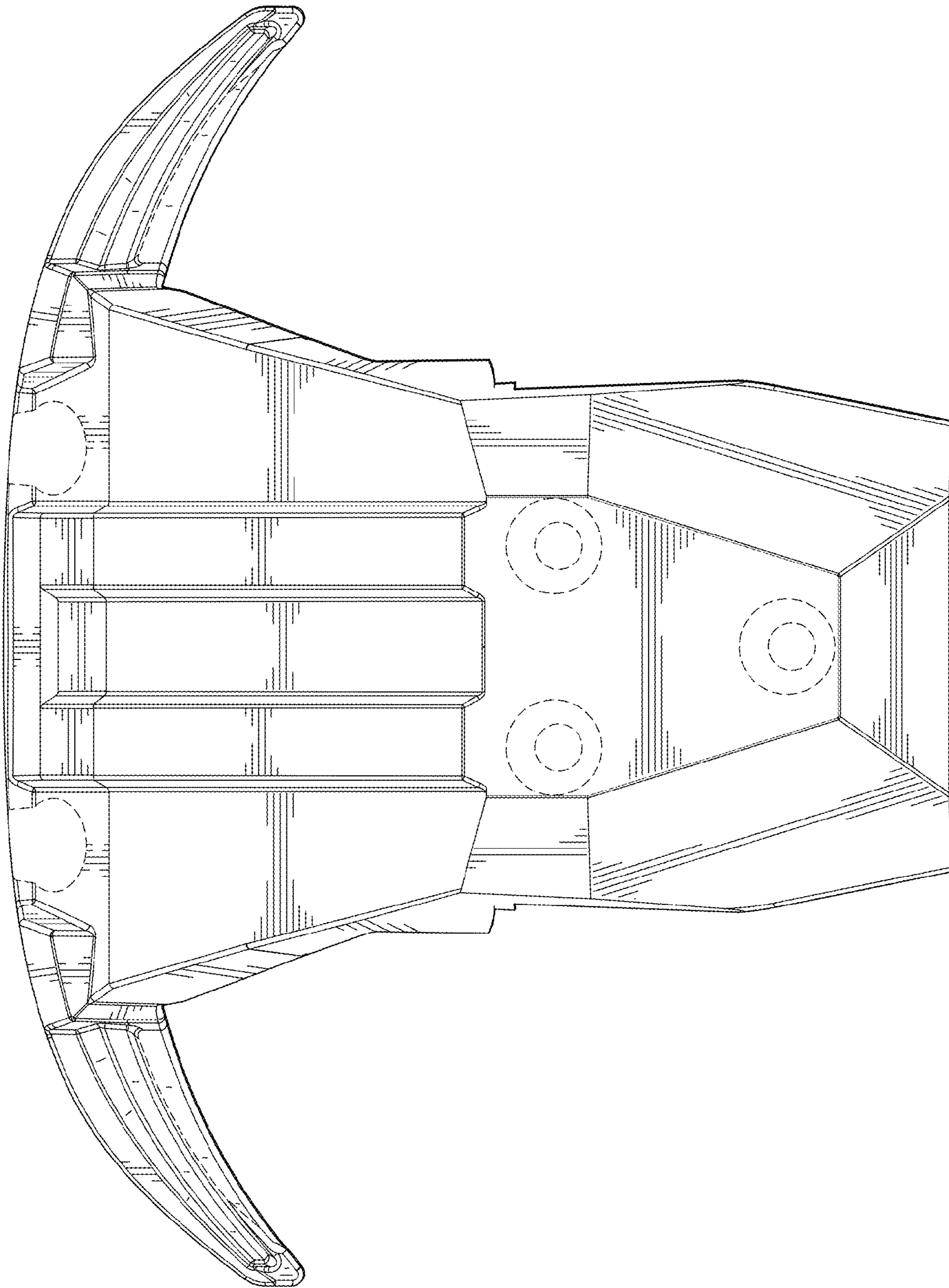


FIG. 7

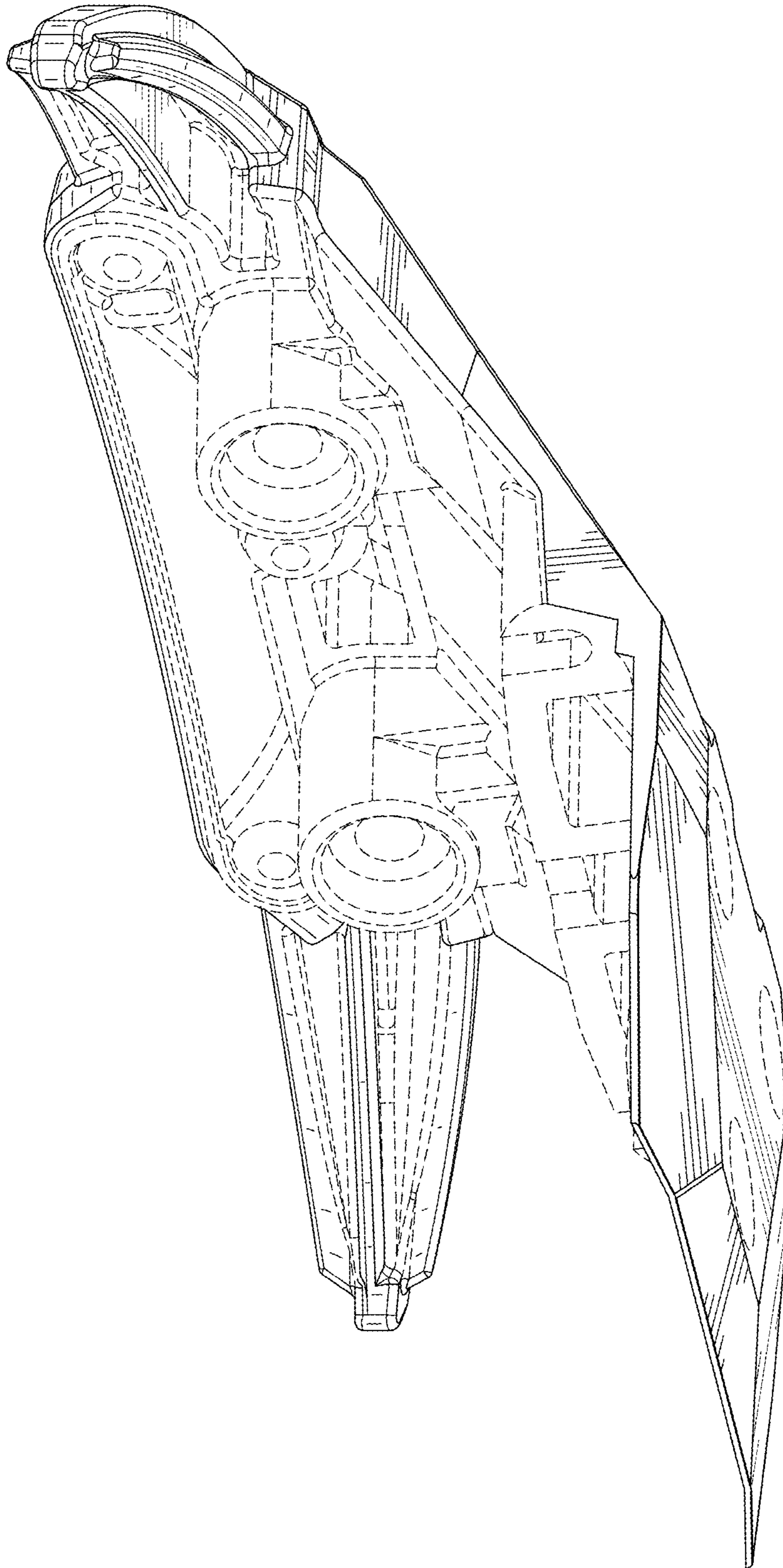


FIG. 8

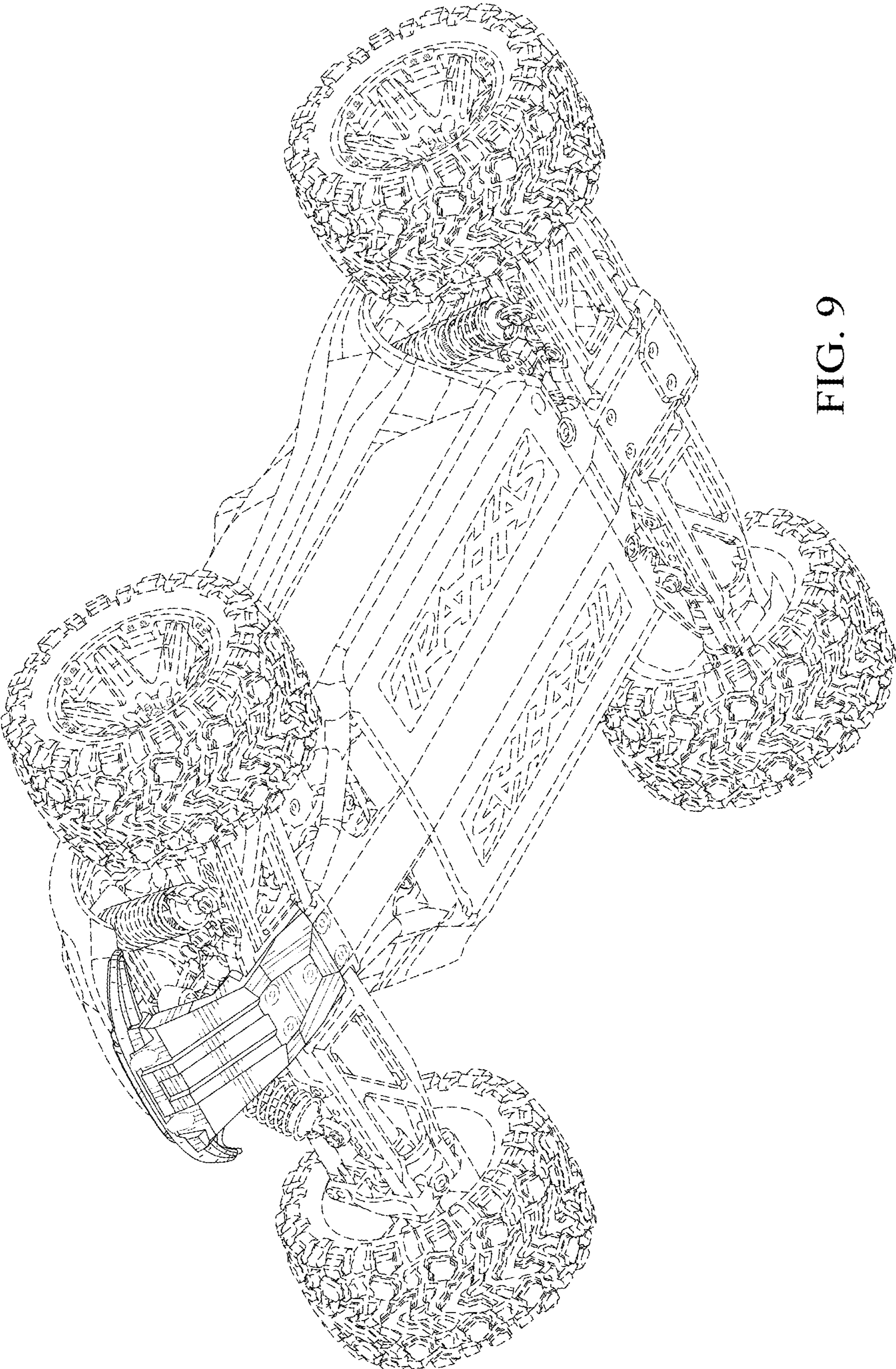


FIG. 9