



US00D923112S

(12) **United States Design Patent** (10) **Patent No.:** **US D923,112 S**  
**Hagler et al.** (45) **Date of Patent:** **\*\* \*Jun. 22, 2021**

(54) **MODEL VEHICLE FRONT BUMPER ASSEMBLY**

FOREIGN PATENT DOCUMENTS

(71) Applicant: **TRAXXAS, LP**, McKinney, TX (US)

TW D147600 S 6/2012  
TW D154920 S 7/2013

(Continued)

(72) Inventors: **Skylar Hagler**, Anna, TX (US); **Otto Karl Allmendinger**, Rowlett, TX (US); **Jory Sprowl**, Honey Grove, TX (US); **Jaime Felix Barajas**, Dallas, TX (US)

OTHER PUBLICATIONS

(73) Assignee: **TRAXXAS LP**, McKinney, TX (US)

TF2 Mojave ARB-DELUXE Metal Front Bumper Assembly, Earliest available date Oct. 22, 2020 [Online], [Site Visited Oct. 22, 2020] Available From Internet, URL: <https://www.aliexpress.com/i/4000118857581.html> (Year: 2020).\*

(\*) Notice: This patent is subject to a terminal disclaimer.

(Continued)

(\*\*) Term: **15 Years**

*Primary Examiner* — Cynthia M. Chin

(21) Appl. No.: **29/708,786**

(74) *Attorney, Agent, or Firm* — Daryl R. Wright; Greg Carr

(22) Filed: **Oct. 9, 2019**

(51) **LOC (13) Cl.** ..... **21-01**

(52) **U.S. Cl.**  
USPC ..... **D21/561**

(58) **Field of Classification Search**

USPC ..... D21/424, 433, 434, 483, 495, 522, D21/533-562; D12/86-93, 98, 159, D12/163-172, 401, 400, 190; 446/431, 446/448, 454-456, 465-466, 470-471  
CPC ..... B60G 2204/128; B60G 13/003; B62D 25/00; B62D 35/00; A63H 17/262; A63H 17/00; A63H 17/395; A63H 17/38; A63H 17/26; A63H 17/28; A63H 33/042; A63H 3/16; A63H 3/50; A63H 30/00; A63H 7/04;

(Continued)

(56) **References Cited**

U.S. PATENT DOCUMENTS

1,355,592 A 10/1920 De Graw  
1,414,382 A 5/1922 Stafford

(Continued)

(57) **CLAIM**

We claim the ornamental design for a model vehicle front bumper assembly, as shown and described.

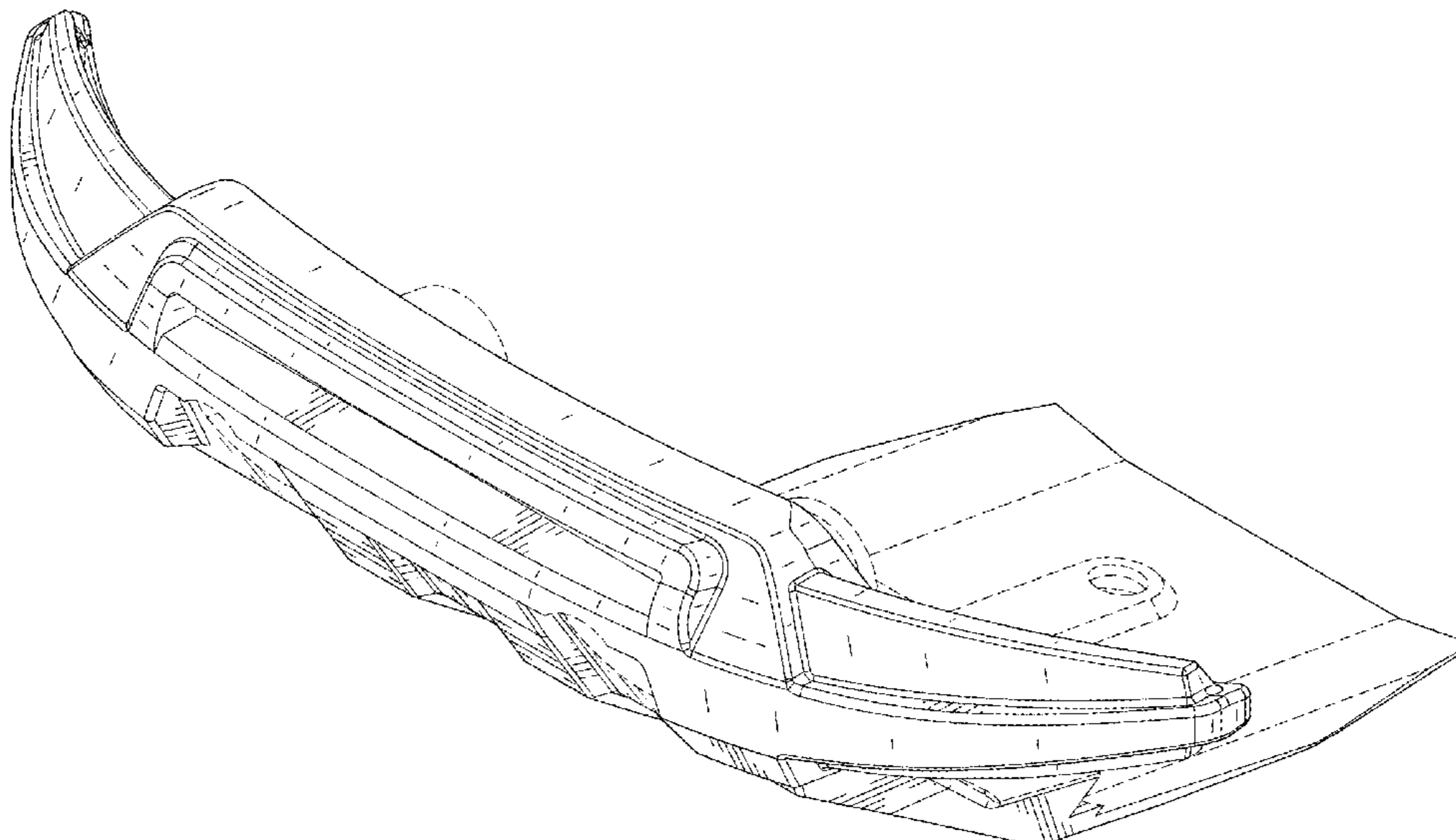
**DESCRIPTION**

FIG. 1 is an upper, left, front perspective view of a model vehicle front bumper assembly, according to our new design; FIG. 2 is a front elevation view thereof; FIG. 3 is a rear elevation view thereof; FIG. 4 is a left side elevation view thereof; FIG. 5 is a right side elevation view thereof; FIG. 6 is an upper plan view thereof; FIG. 7 is a lower plan view thereof; FIG. 8 is a lower, right, rear perspective view thereof; and, FIG. 9 is a lower, left, front perspective environmental use view of the model vehicle front bumper assembly.

In the drawings, the broken lines showing features of the model vehicle front bumper assembly form no part of the claimed design.

The broken lines in FIG. 9 depict environmental subject matter that form no part of the claimed design.

**1 Claim, 8 Drawing Sheets**



(58) **Field of Classification Search**  
 CPC ... A63H 17/36; A63H 17/264; A63H 17/004;  
 A63H 30/04; B60R 19/02; B60R 19/023;  
 B60R 19/18; B60R 19/24; B60R 19/44;  
 B60R 19/48; B60R 19/56; B60R  
 2019/527; B60R 2019/1886  
 See application file for complete search history.

(56) **References Cited**  
 U.S. PATENT DOCUMENTS

1,427,624 A 8/1922 Newton  
 1,448,504 A 3/1923 Plante  
 1,464,321 A 8/1923 Koester et al.  
 1,468,868 A 9/1923 Reichstetter, Jr. et al.  
 1,487,352 A 3/1924 Nelson  
 1,494,867 A 5/1924 Rahe  
 1,509,394 A 9/1924 Cox  
 1,534,760 A 4/1925 Blackmore  
 1,633,603 A 6/1927 Spencer  
 1,655,978 A 1/1928 Vella  
 1,729,731 A 10/1929 Vidach  
 1,836,610 A 12/1931 McMurdo  
 1,867,708 A 7/1932 Paton  
 1,982,775 A 12/1934 Williams  
 2,038,964 A 4/1936 Smith  
 2,144,357 A 1/1939 Booharin  
 2,146,642 A 2/1939 Mueth  
 2,227,560 A 1/1941 Szabo  
 2,236,507 A 4/1941 Kreits  
 D160,661 S 12/1949 Ross  
 2,502,483 A 4/1950 Sauer et al.  
 2,604,349 A 7/1952 Martinetz  
 3,547,469 A 12/1970 Sancioni  
 3,663,048 A 5/1972 Zimmerle  
 3,689,054 A 9/1972 Gouirand  
 D225,523 S 12/1972 Nunn  
 3,756,643 A 9/1973 Weed  
 3,774,948 A 11/1973 Gouirand  
 3,782,767 A 1/1974 Moore  
 3,829,118 A 8/1974 Gouirand  
 3,837,695 A 9/1974 Haase et al.  
 D234,194 S 1/1975 Cline  
 3,938,840 A 2/1976 Haase et al.  
 3,971,583 A 7/1976 Kornhauser  
 4,264,094 A 4/1981 White et al.  
 D275,776 S 10/1984 Horowitz et al.  
 D300,128 S 3/1989 Brennan  
 5,181,699 A 1/1993 Chang  
 5,326,083 A 7/1994 Wydra et al.  
 D360,865 S 8/1995 Hanson  
 D375,067 S 10/1996 Bronstein  
 D403,023 S 12/1998 Araki  
 5,971,451 A 10/1999 Huang  
 D420,634 S 2/2000 Nelson  
 D420,962 S 2/2000 Chevalier  
 D422,953 S 4/2000 Waagenaar  
 D425,462 S 5/2000 Ujiie  
 D431,506 S 10/2000 Runfola  
 D432,469 S 10/2000 Nelson  
 6,217,090 B1 4/2001 Berzinji  
 D454,098 S 3/2002 McGuinness  
 D454,099 S 3/2002 McGuinness  
 D454,817 S 3/2002 McGuinness  
 D455,684 S 4/2002 McGuinness  
 D455,988 S 4/2002 McGuinness  
 D462,401 S 9/2002 Wu  
 D462,727 S 9/2002 Wu  
 D464,087 S 10/2002 Wu  
 D476,606 S 7/2003 Hamm et al.  
 D485,219 S 1/2004 Hamm et al.  
 D487,038 S 2/2004 Chan  
 D502,433 S 3/2005 McClanahan  
 D506,421 S 6/2005 Newbill  
 D521,572 S 5/2006 Yuen  
 7,097,222 B2 8/2006 Ran  
 D527,696 S 9/2006 Ichikawa et al.

D532,348 S 11/2006 Kudo et al.  
 D533,606 S 12/2006 Kaminski  
 D534,593 S 1/2007 Yuen  
 D577,083 S 9/2008 Nakayama  
 D580,322 S 11/2008 Schroeder et al.  
 D590,752 S 4/2009 Williams et al.  
 D593,616 S 6/2009 Asai  
 D606,913 S 12/2009 Robertson  
 7,703,834 B1 4/2010 Hardy et al.  
 D636,305 S 4/2011 Alvarez et al.  
 D642,099 S 7/2011 Nagao et al.  
 D683,281 S 5/2013 Harriton  
 D691,074 S 10/2013 Dugardin  
 D697,842 S 1/2014 Harriton  
 D699,640 S 2/2014 Duderstadt  
 D704,107 S 5/2014 Peltola et al.  
 D713,305 S 9/2014 Sperling et al.  
 D716,201 S \* 10/2014 Ewing ..... D12/171  
 D722,927 S 2/2015 Schroeder et al.  
 D726,605 S 4/2015 Schroeder  
 D728,038 S \* 4/2015 Ewing ..... D21/561  
 D737,181 S 8/2015 Smith et al.  
 D737,724 S 9/2015 Schroeder et al.  
 D737,739 S 9/2015 Hanson et al.  
 D740,730 S 10/2015 Peltola et al.  
 D741,233 S 10/2015 Glover et al.  
 D744,384 S 12/2015 Harriton  
 D744,386 S 12/2015 Harriton  
 D744,387 S 12/2015 Harriton  
 D744,388 S 12/2015 Harriton  
 D749,021 S 2/2016 Boniface et al.  
 D749,995 S 2/2016 Azadi et al.  
 D751,012 S 3/2016 Hare  
 D753,034 S 4/2016 Thole et al.  
 D760,133 S 6/2016 Bennett et al.  
 D761,166 S 7/2016 Hare  
 D763,745 S 8/2016 Lee, IV et al.  
 D771,537 S 11/2016 Hare  
 D775,013 S 12/2016 Bennett et al.  
 D775,016 S 12/2016 Reynolds  
 D776,582 S 1/2017 Bennett et al.  
 D777,618 S 1/2017 Setina  
 D777,619 S \* 1/2017 Barajas ..... D12/171  
 D778,213 S 2/2017 Platto et al.  
 D778,784 S 2/2017 Hirooka  
 D781,193 S 3/2017 McMath  
 D781,757 S \* 3/2017 Baggett ..... D12/167  
 D784,869 S 4/2017 Yamamoto  
 D785,504 S 5/2017 Higgs  
 D786,745 S 5/2017 Zeng  
 D789,258 S 6/2017 McMath  
 D792,817 S 7/2017 McMath  
 D792,818 S 7/2017 McMath  
 D793,304 S 8/2017 McMath  
 D794,519 S 8/2017 McMath  
 D796,399 S 9/2017 Steen  
 D800,028 S \* 10/2017 Baggett ..... D12/167  
 D800,036 S 10/2017 Bennett et al.  
 D800,226 S 10/2017 Zeng  
 D801,892 S 11/2017 Drever  
 D811,956 S 3/2018 Zeng  
 D821,275 S 6/2018 Eck et al.  
 D823,750 S 7/2018 Schulzetenberg et al.  
 D826,115 S 8/2018 Chi  
 D826,116 S \* 8/2018 DiCanzio ..... D12/172  
 D827,054 S 8/2018 Ewing et al.  
 D827,055 S \* 8/2018 Barajas ..... D21/561  
 D830,919 S 10/2018 Zeng  
 D832,161 S 10/2018 Kobayashi  
 D832,368 S 10/2018 Barajas et al.  
 D833,922 S 11/2018 DiCanzio  
 D845,844 S 4/2019 Langhals et al.  
 D845,845 S 4/2019 Goodrich et al.  
 D845,846 S 4/2019 Goodrich et al.  
 D845,847 S 4/2019 Piscitelli et al.  
 D846,460 S 4/2019 Goodrich et al.  
 D846,461 S 4/2019 Piscitelli et al.  
 D846,462 S 4/2019 DiCanzio  
 D847,051 S \* 4/2019 DiCanzio ..... D12/171

(56)

References Cited

U.S. PATENT DOCUMENTS

D847,709	S	5/2019	Neal	
D850,334	S	6/2019	DiCanzio	
D864,806	S	10/2019	Wood	
D870,615	S *	12/2019	Wood	D12/171
D873,729	S	1/2020	Rolfs et al.	
D873,730	S	1/2020	Goodrich et al.	
D873,731	S	1/2020	Goodrich et al.	
D873,734	S	1/2020	Goodrich et al.	
D874,998	S	2/2020	Zhang	
D874,999	S *	2/2020	Ewing	D12/171
D877,003	S *	3/2020	Izard	D12/169
D877,670	S	3/2020	Moctezuma	
D878,976	S	3/2020	Goodrich et al.	
D878,978	S	3/2020	Li	
D880,381	S *	4/2020	DiCanzio	D12/171
D887,328	S *	6/2020	Lee	D12/171
D889,332	S	7/2020	Chi	
D891,330	S	7/2020	Lenz, Jr.	
D893,366	S	8/2020	Dewitt et al.	
D894,802	S *	9/2020	Grand	D12/169
D894,803	S *	9/2020	DiCanzio	D12/169
D904,244	S	12/2020	Wood et al.	
2006/0192398	A1	8/2006	Buniewicz et al.	
2006/0261613	A1	11/2006	Byers et al.	
2009/0212581	A1	8/2009	Drever	
2009/0302623	A1	12/2009	Finney	
2013/0187395	A1	7/2013	Hanson et al.	
2017/0088076	A1	3/2017	Fujimoto et al.	
2017/0247014	A1	8/2017	Farooq et al.	
2017/0349227	A1	12/2017	Spindler et al.	
2018/0072254	A1 *	3/2018	Wymore	B60R 9/065
2019/0337476	A1 *	11/2019	Hare	B60R 19/48

FOREIGN PATENT DOCUMENTS

TW	D163365	S	10/2014
TW	D168397	S	6/2015
TW	D169825	S	8/2015

OTHER PUBLICATIONS

Traxxas 5834 Front Bumper Mount Front Adapter 2WD Slash 4x4, Earliest available date Jul. 15, 2020 [Online], [Site Visited Oct. 22, 2020] Available From Internet, URL: <[https://www.ebay.com/itm/Traxxas-5834-Front-Bumper-Mount-Front-Adapter-2WD-Slash-4x4-/174332832512?\\_trksid=p2385738.m4383.14275.c10](https://www.ebay.com/itm/Traxxas-5834-Front-Bumper-Mount-Front-Adapter-2WD-Slash-4x4-/174332832512?_trksid=p2385738.m4383.14275.c10)> (Year: 2020).\*

Traxxas TRA6736 Bumper, Front/ Bumper Support, Earliest available date Oct. 22, 2020 [Online], [Site Visited Oct. 22, 2020] Available From Internet, URL: <<https://www.amazon.com/Traxxas-TRA6736-Bumper-Front-Support/dp/B07HJF56V1#customerReviews>> (Year: 2020).\*

Traxxas LP; The New Traxxas Summit 16.8 V Electric Extreme Terrain Monster Truck; Traxxas Press Release; Oct. 16, 2008.

Summit E-Revo Crawler SP08503 front bumper; Oct. 16, 2008.

“How Do I Add a Ball Hitch to my RPM Rear Bumper (T/E-Maxx & Revo Bumpers)?” RPM, Jul. 30, 2005 [online], [retrieved on Sep. 12, 1996]. Retrieved from the internet ,URL: <http://www.rpmrcproducts.com/faq/add-ball-hitch-rpm-rear-bumper-te-maxx-revo-bumpers/>.

“Warn 87750 Elite Series Front Bumper with Grill Guard Tube” RPM, Jul. 17, 2013 [online], [retrieved on Sep. 12, 2016]. Retrieved from Internet ,URL: [https://www.amazon.com/gp/product/B00625F4FI/ref=pd\\_sim\\_263\\_5?ie=UTF8&pd\\_rd\\_i=B00625F4FI&pd\\_rd\\_r=QN6NZ5WV34ZS00Z3BSGH&pd\\_rd\\_w=4XjJD&pd\\_rd\\_wg=7Z80V&psc=1&refRID=QN6NZ5WV34ZS0](https://www.amazon.com/gp/product/B00625F4FI/ref=pd_sim_263_5?ie=UTF8&pd_rd_i=B00625F4FI&pd_rd_r=QN6NZ5WV34ZS00Z3BSGH&pd_rd_w=4XjJD&pd_rd_wg=7Z80V&psc=1&refRID=QN6NZ5WV34ZS0).

“Yeah Racing F/R Bumper w/ HD Shackie & LED’s—SCX10, Traxxas.” RC Hobbies, Nov. 12, 2014 [online], [retrieved on Sep. 12, 2016]. Retrieved from the Internet <URL: [http://rchoobbies.com.au/store/product\\_info.php?products\\_id=80405](http://rchoobbies.com.au/store/product_info.php?products_id=80405)>.

Taiwan IPO Search Report; Taiwan Design Patent App No. 105301434; Aug. 4, 2016.

Associated Electrics; “Catalog and Parts Listing for the Monster GT Truck”; 2003; Associated Electrics, Inc., Costa Mesa, California.

Horizon Hobby; “Team Losi LST Super Truck—Drive Train Assy” exploded view; Horizon Hobby, Inc., Champaign, Illinois.

HPI Racing, “Savage 21 4WD Giant Monster Truck” p. 56 exploded view; Hobby Products International, Foothill Ranch, California.

Tamiya, “Terra Crusher Parts Breakdown—Front End”; Tamiya America, Inc., Aliso Viejo, California.

Tamiya, “Wild Willy 2 Parts Breakdown”; 1999, Tamiya America, Inc., Aliso Viejo, California.

Tamiya, “Wild Willy”; Tamiya America, Inc., Aliso Viejo, California; 1 photograph.

Traxxas, “T-MAXX Assemblies—Front Assembly”; Traxxas LP, Plano, Texas.

Axial SCX10 II 2000 Jeep Cherokee; <http://www.axialracing.com/products/ax90047>; Aug. 2016.

Axial SCX 10 Deadbolt; <http://www.axialracing.com/products/ax90044>; Aug. 2016.

Traxxas; Bumper support geometry, body mounts, body mount posts; <https://traxxas.com/products/parts/3619>; Oct. 2016.

Sema 2015 Fab Fours; 2 photos.

PL6088-00 Front Proline Ridge-Line Bumper (Smal), Earliest Available Date May 2, 2019 [Online], [Site Visited Oct. 20, 2020] Available From Internet, URL: <[https://www.ebay.com/itm/PL6088-00-Front-PROLINE-RIDGE-LINE-BUMPER-SMAL-SET-VOOR-NARROW-ROCK-CRAWLING-/153425968229?\\_trksid=p2385738.m4383.14275.c10](https://www.ebay.com/itm/PL6088-00-Front-PROLINE-RIDGE-LINE-BUMPER-SMAL-SET-VOOR-NARROW-ROCK-CRAWLING-/153425968229?_trksid=p2385738.m4383.14275.c10)> (Year: 2019).

Traxxas TRX-4 Winch Front Bumper, Earliest Available Date May 22, 2019 [Online], [Site Visited Oct. 20, 2020] Available From Internet, URL: <[https://www.amainhobbies.com/traxxas-trx-4-winch-front-bumper-tra8124/p779826?gclid=EAlalQobChMl0aymroXE7AIVD02GChOntA-WEAQYBSABEgJ15\\_D\\_BwE](https://www.amainhobbies.com/traxxas-trx-4-winch-front-bumper-tra8124/p779826?gclid=EAlalQobChMl0aymroXE7AIVD02GChOntA-WEAQYBSABEgJ15_D_BwE)> (Year: 2019).

\* cited by examiner

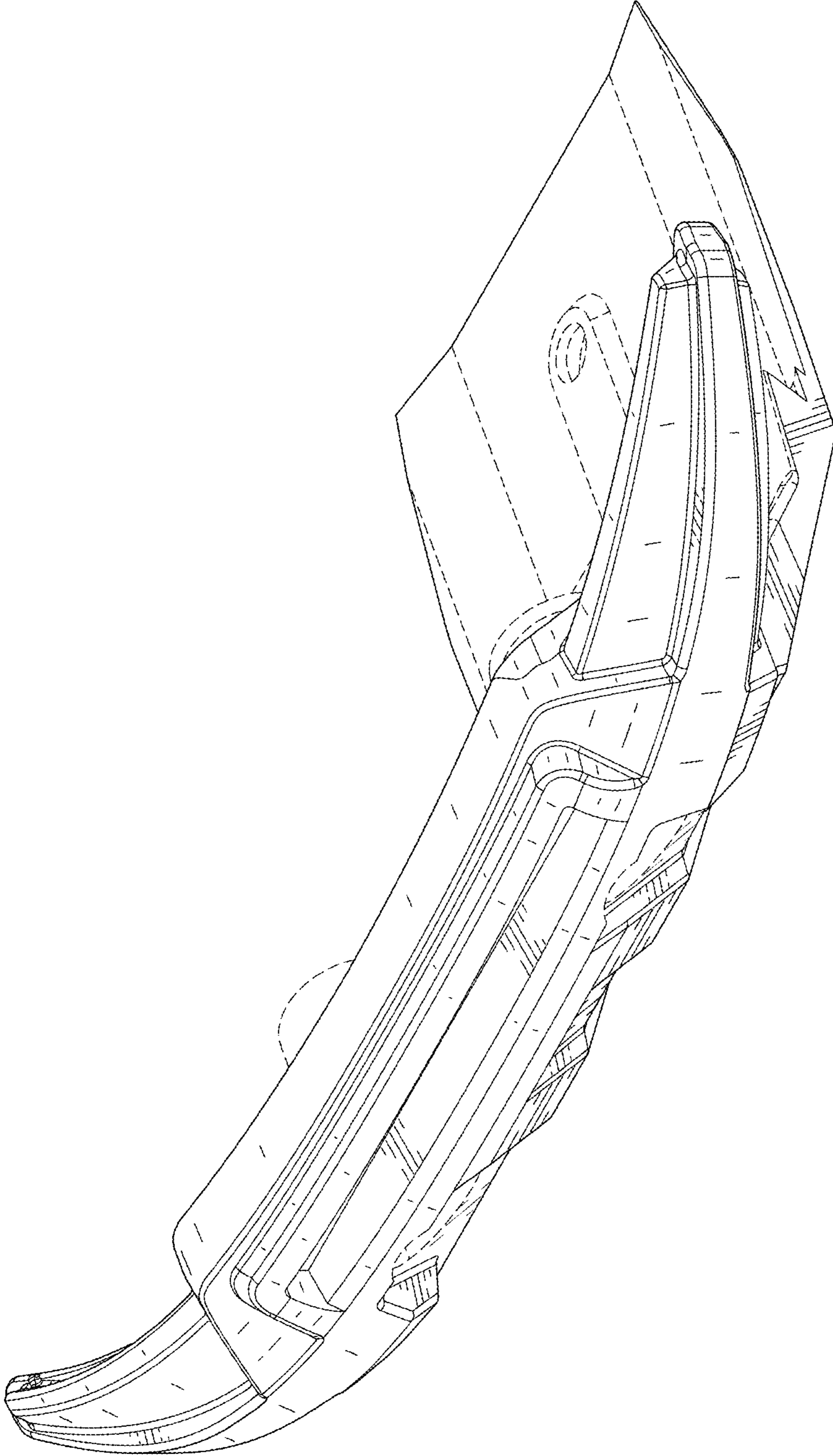


FIG. 1

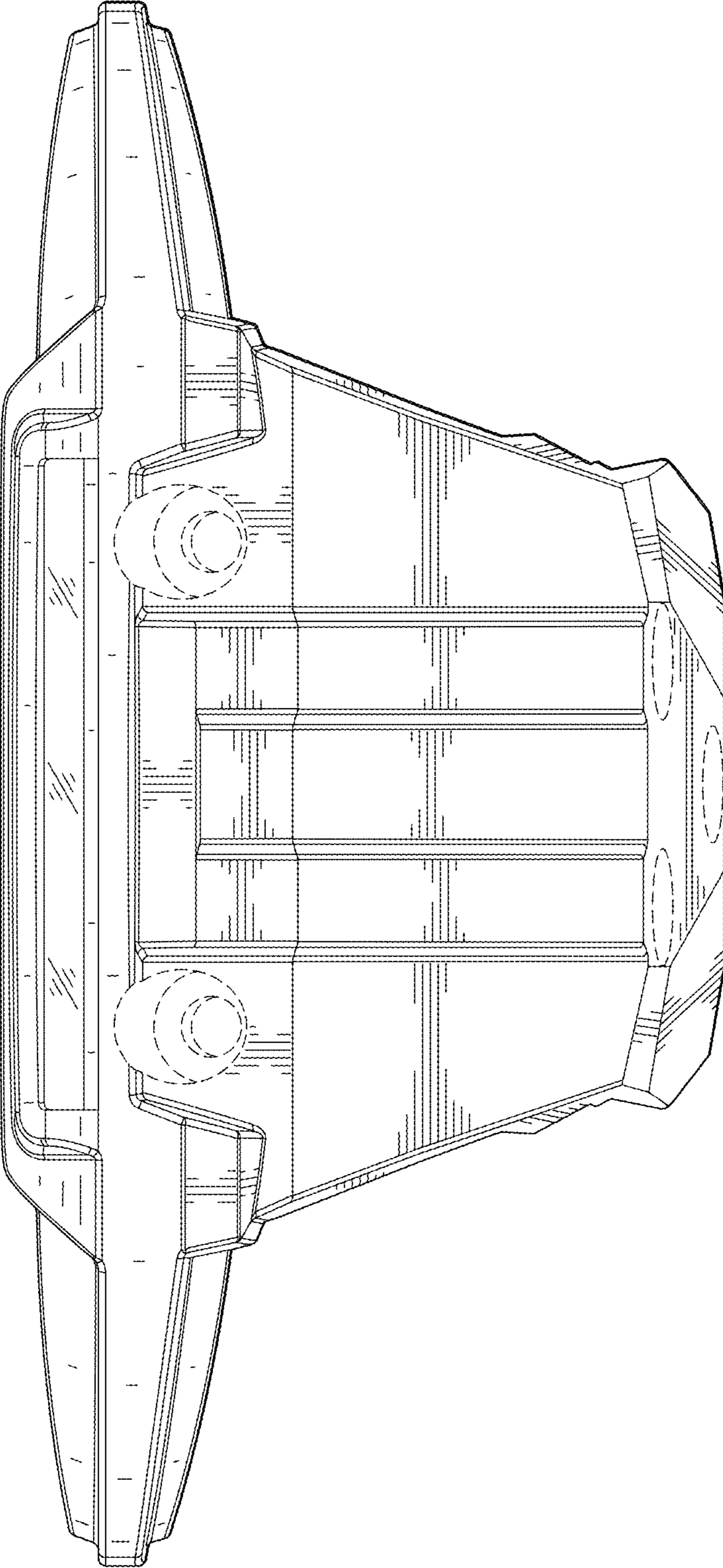


FIG. 2

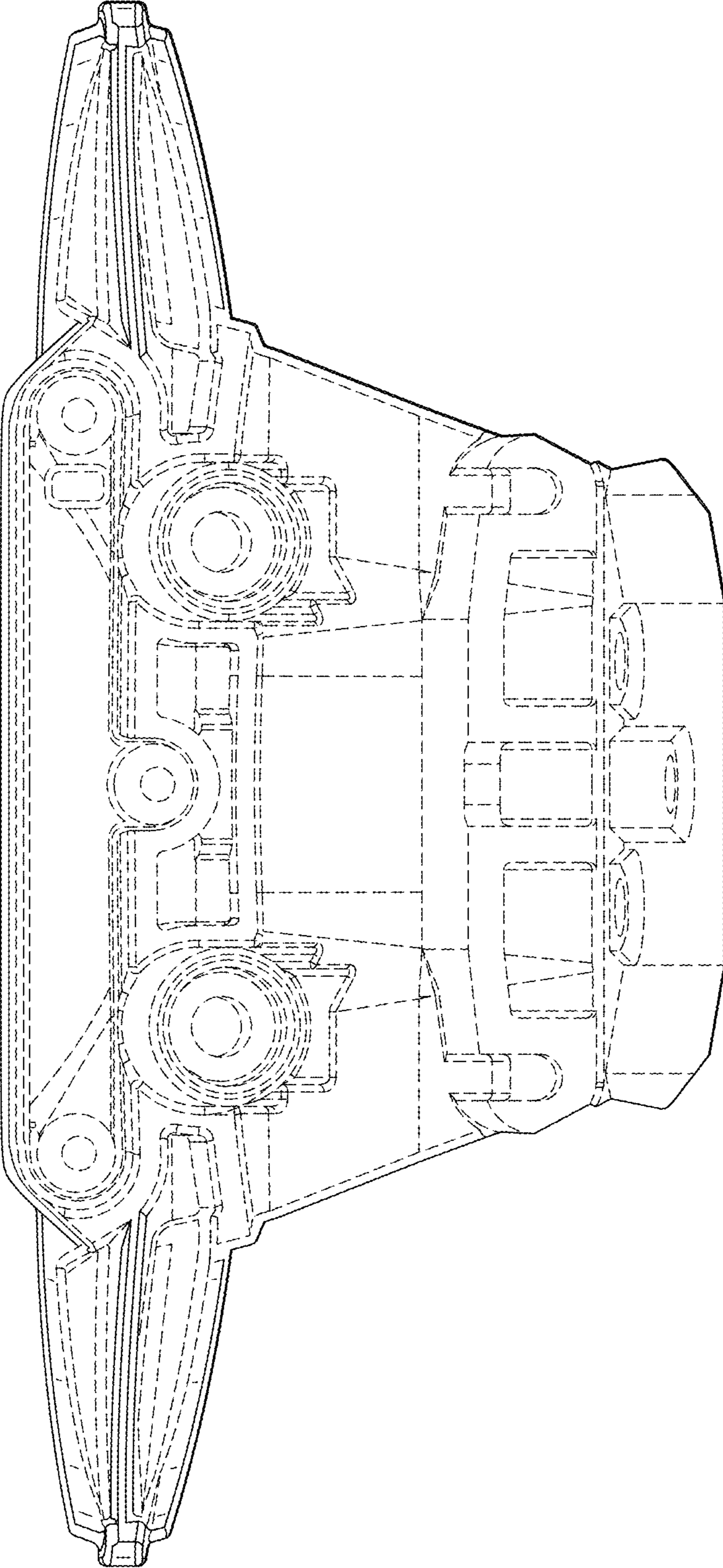


FIG. 3

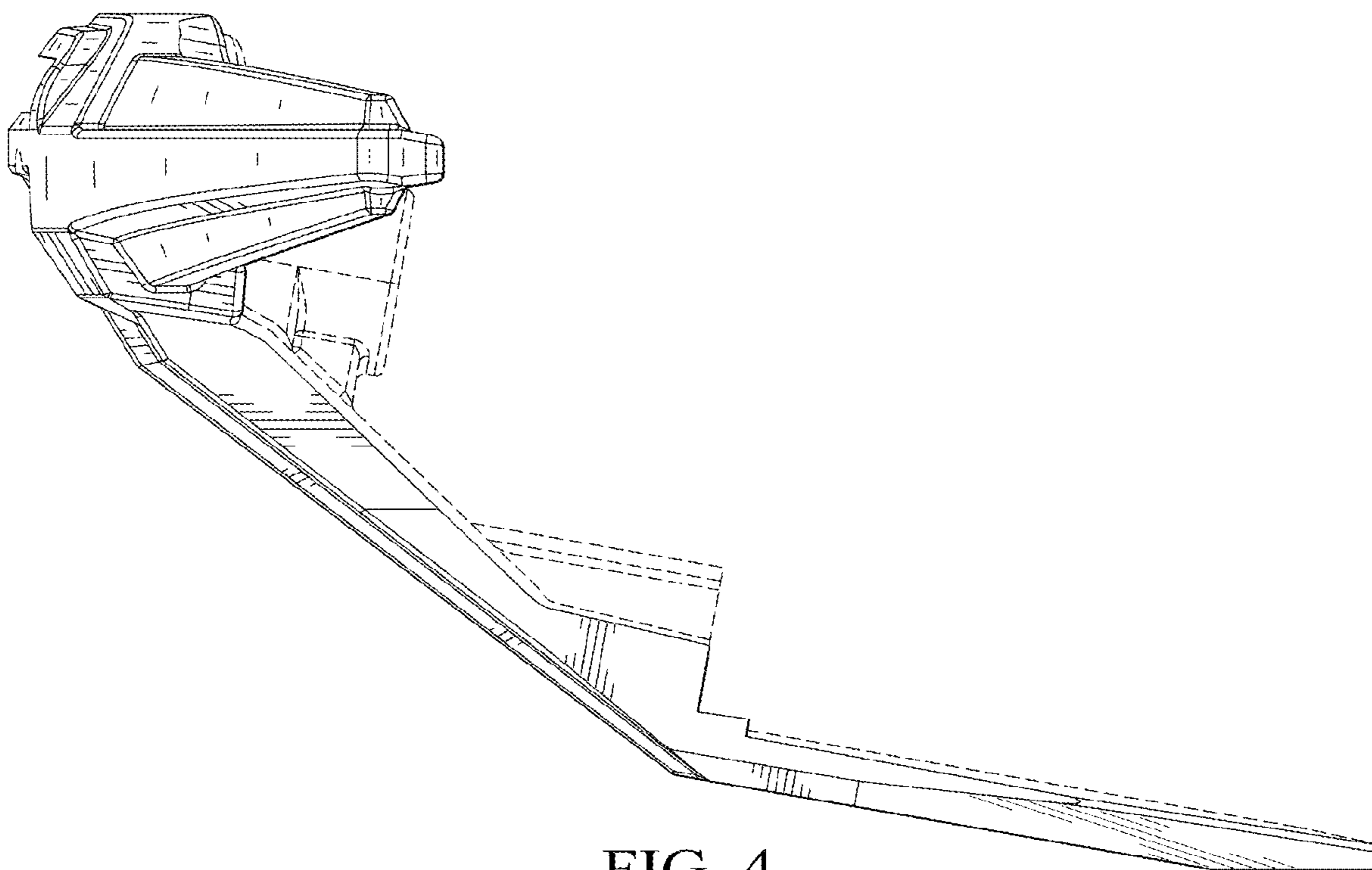


FIG. 4

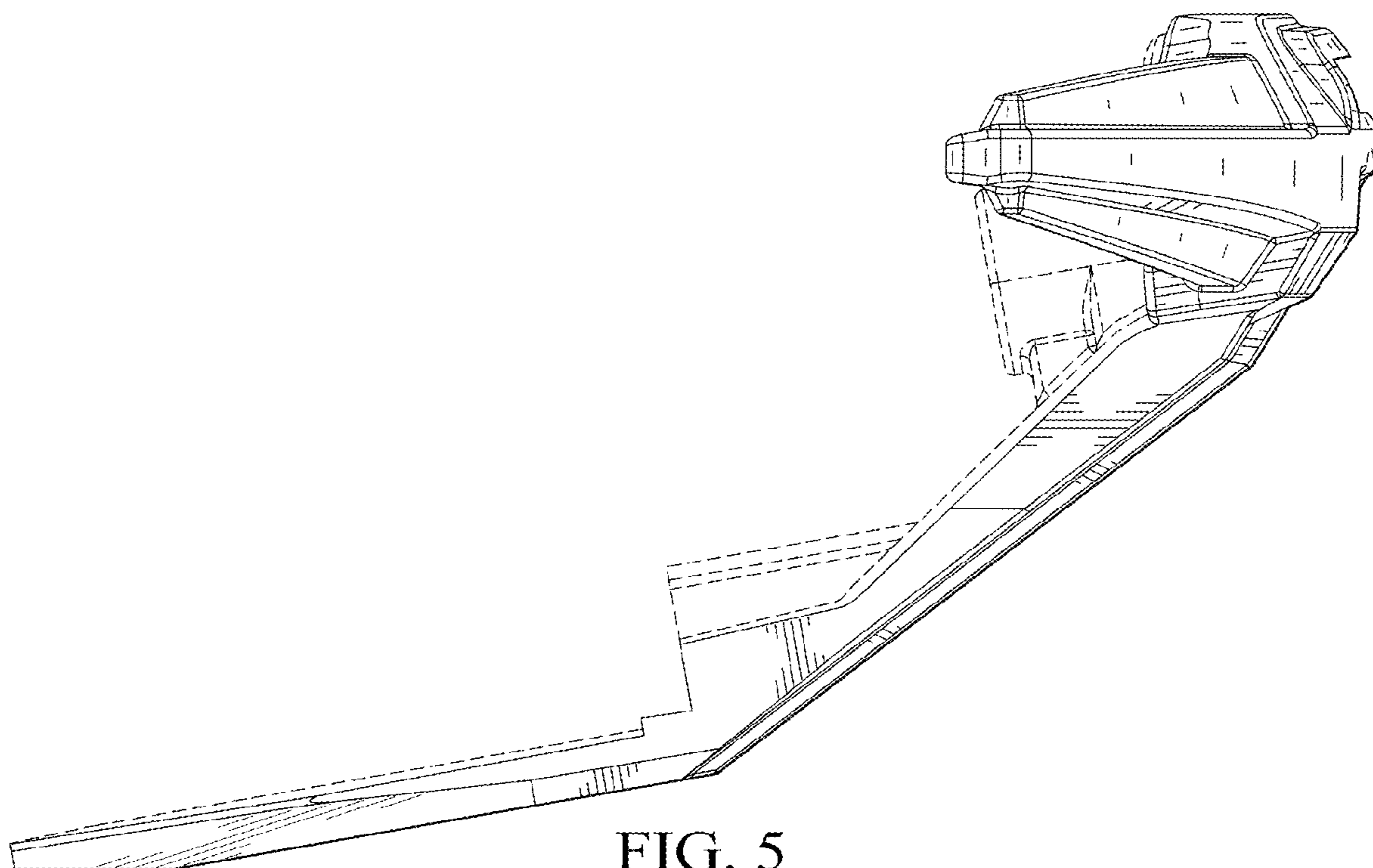


FIG. 5

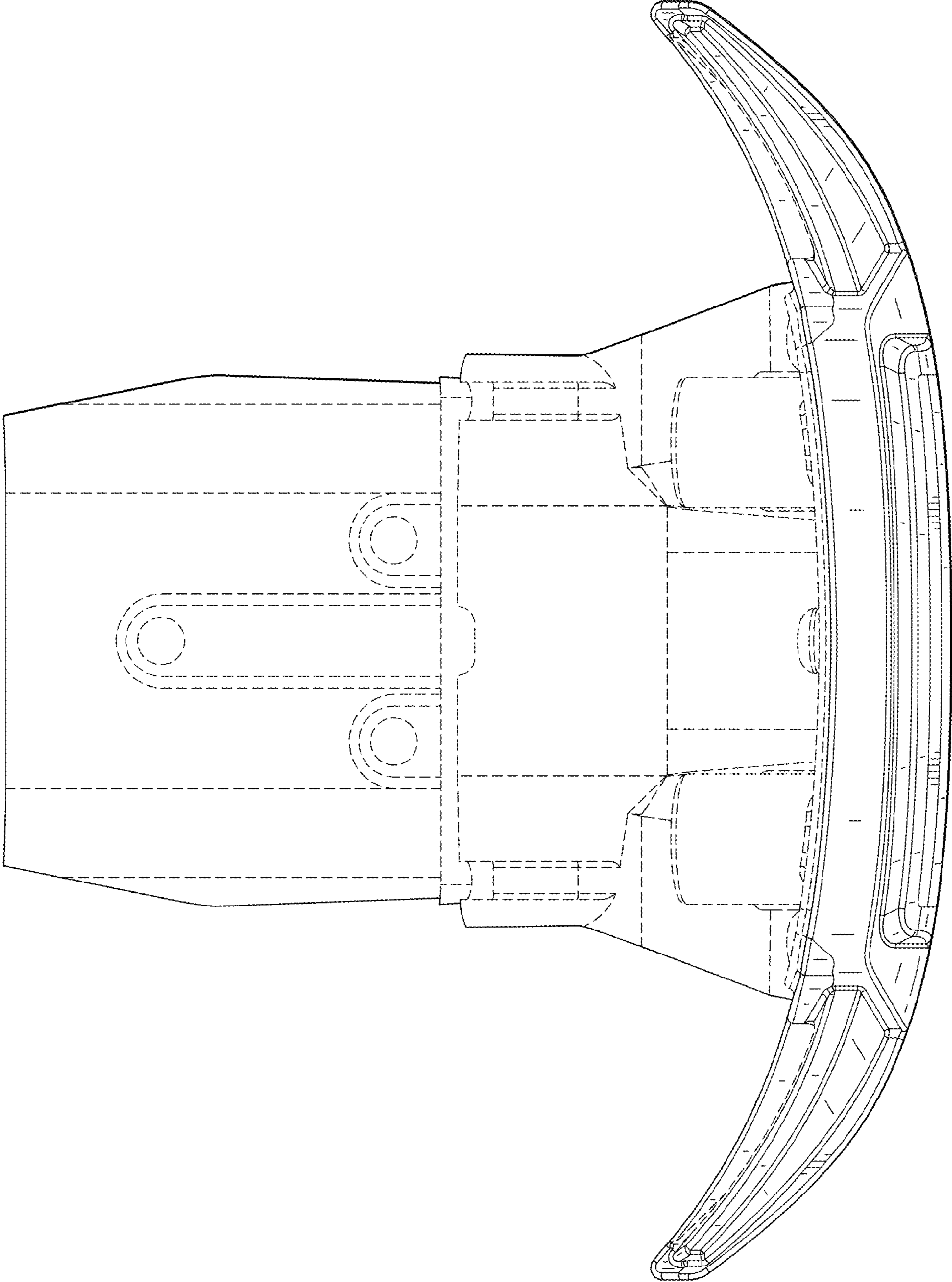


FIG. 6



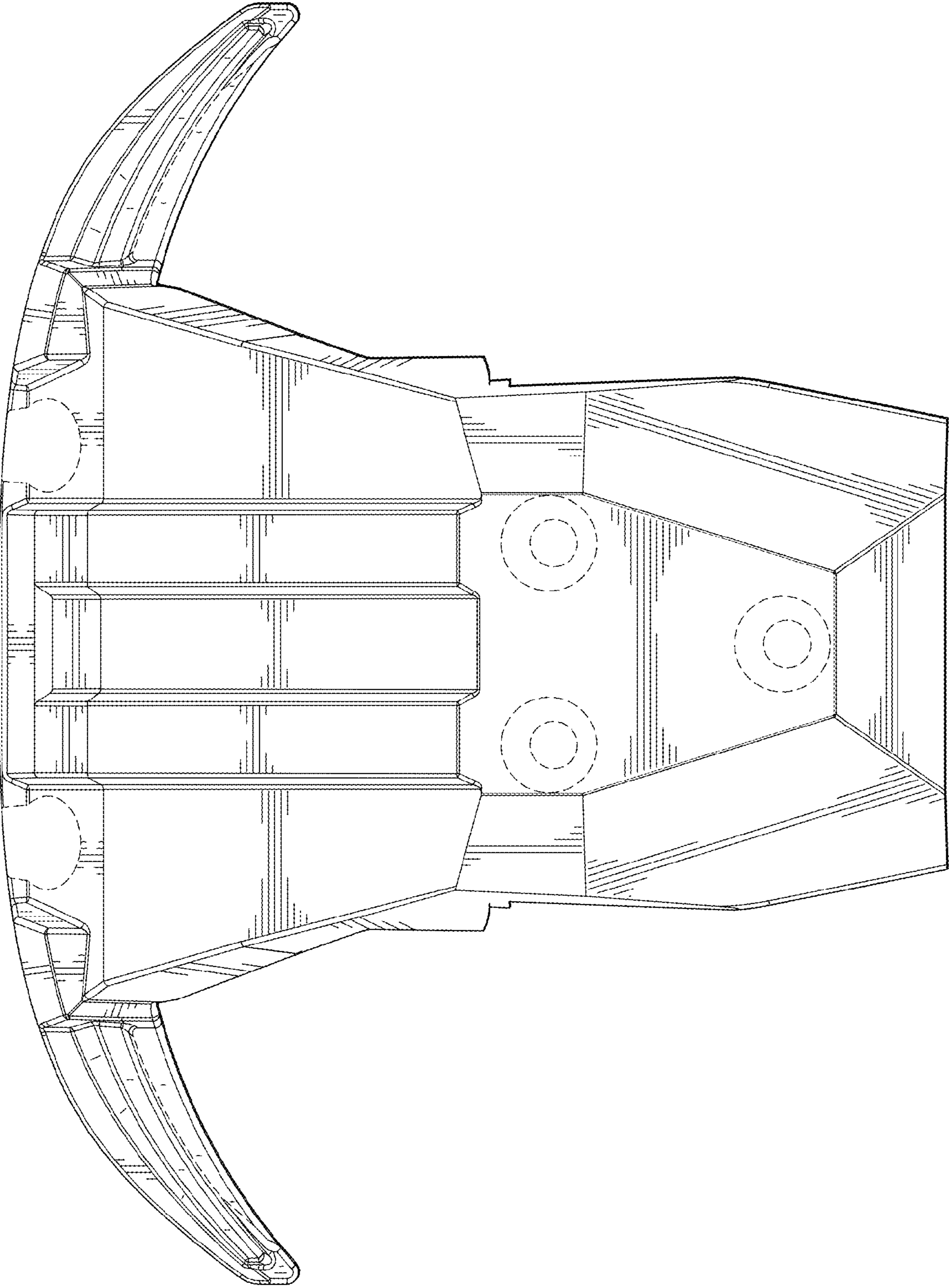


FIG. 7

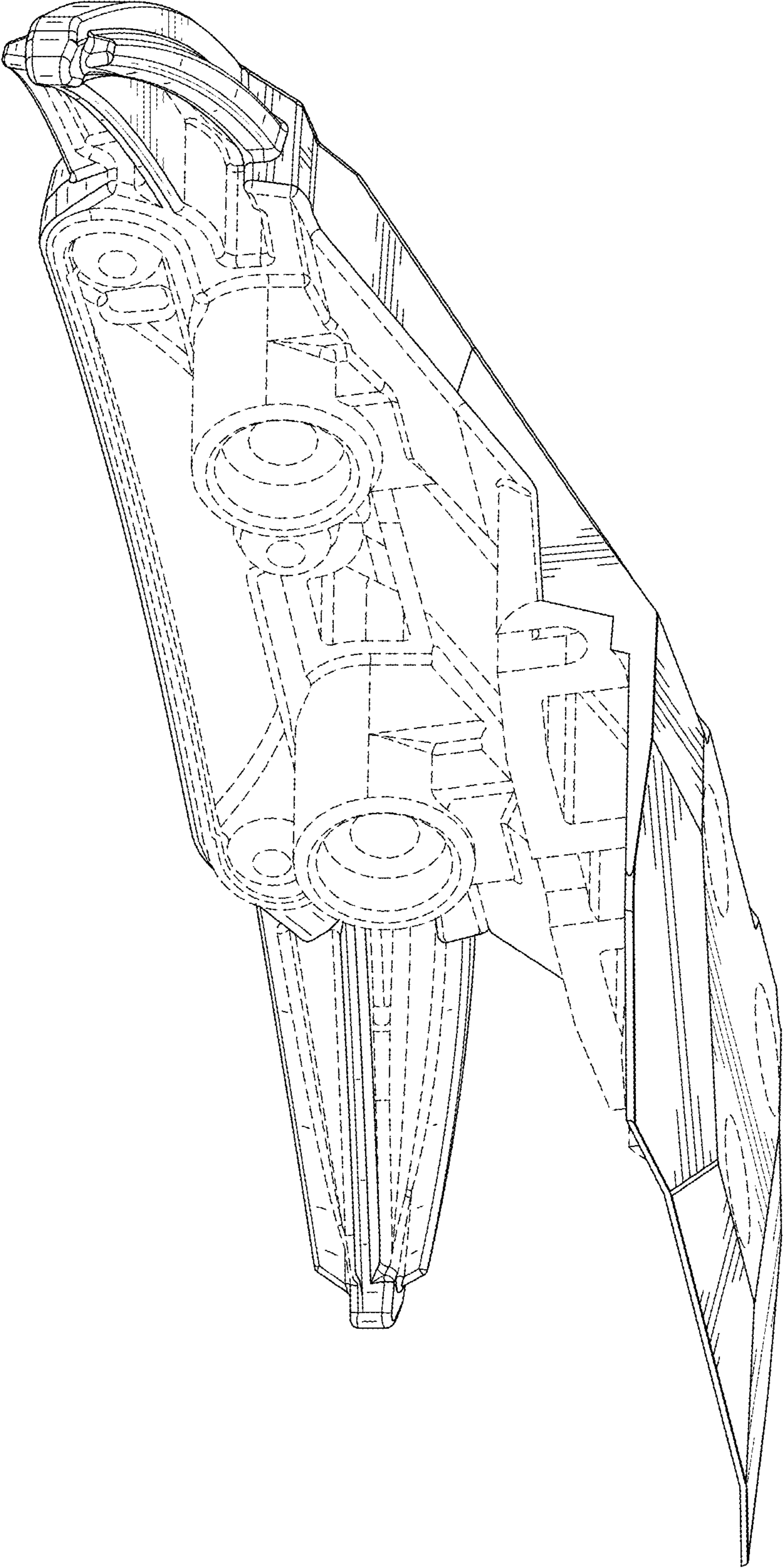


FIG. 8

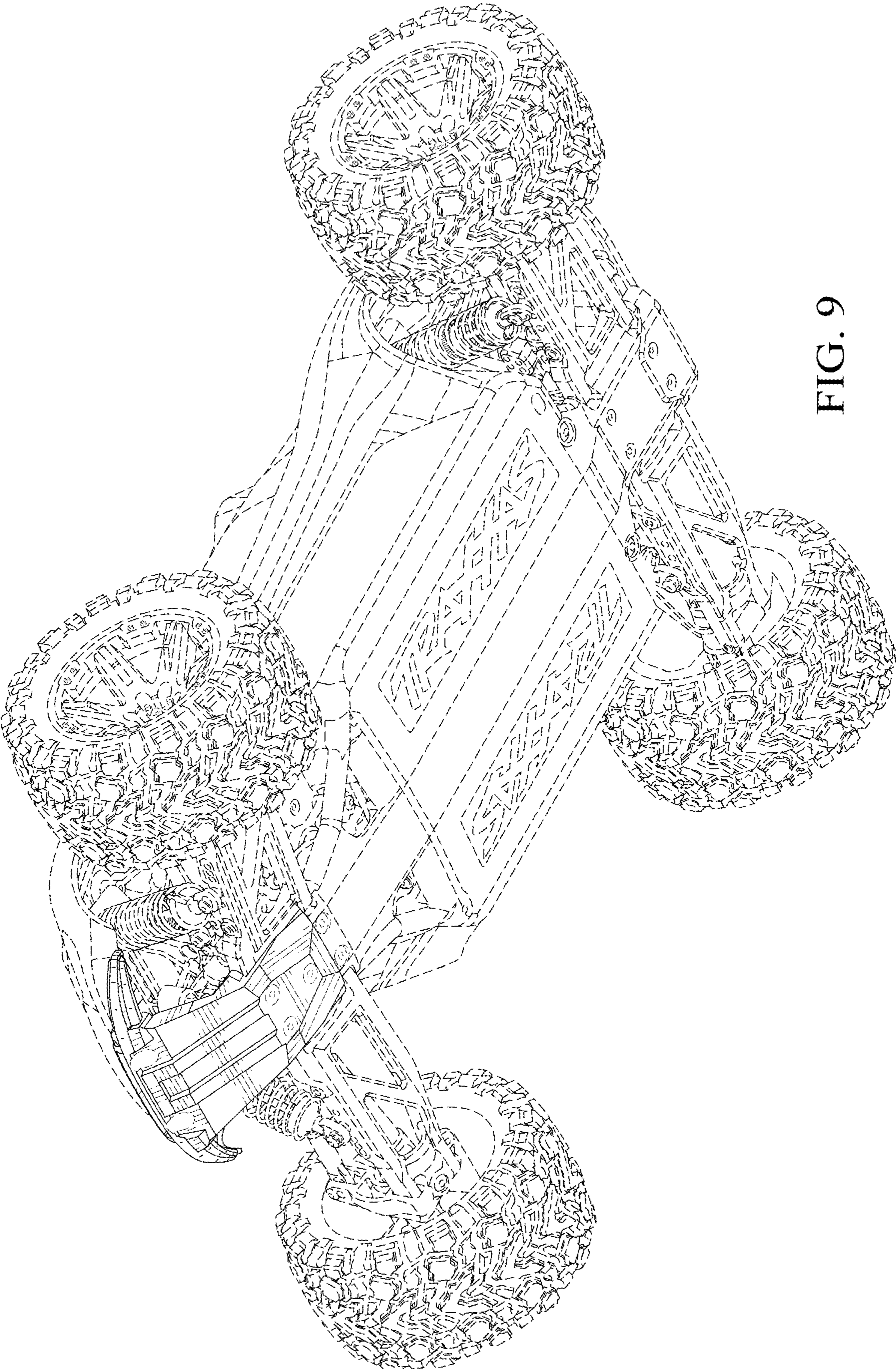


FIG. 9