



US00D923111S

(12) **United States Design Patent** (10) **Patent No.:** **US D923,111 S**
Wood et al. (45) **Date of Patent:** **** Jun. 22, 2021**

(54) **MODEL VEHICLE BUMPER**

FOREIGN PATENT DOCUMENTS

(71) Applicant: **TRAXXAS LP**, McKinney, TX (US)

TW D147600 S 6/2012
TW D154920 S 7/2013

(72) Inventors: **Jonathan Scott Wood**, Frisco, TX (US); **Jory Sprowl**, Honey Grove, TX (US); **Otto Karl Allmendinger**, Rowlett, TX (US); **Kent Poteet**, Lucas, TX (US)

(Continued)

(73) Assignee: **TRAXXAS LP**, McKinney, TX (US)

OTHER PUBLICATIONS

(**) Term: **15 Years**

PL6088-00 Front Proline Ridge-Line Bumper (Smal), Earliest Available Date May 2, 2019 [Online], [Site Visited Oct. 20, 2020] Available From Internet, URL: <https://www.ebay.com/itm/PL6088-00-Front-PROLINE-RIDGE-LINE-BUMPER-SMAL-SET-VOOR-NARROW-ROCK-CRAWLING-/153425968229?_trksid=p2385738.m4383.l4275.c10> (Year: 2019).*

(21) Appl. No.: **29/696,364**

(Continued)

(22) Filed: **Jun. 27, 2019**

Primary Examiner — Cynthia M. Chin

(51) **LOC (13) Cl.** **21-01**

(74) *Attorney, Agent, or Firm* — Daryl R. Wright; Greg Carr

(52) **U.S. Cl.**
USPC **D21/561**

(58) **Field of Classification Search**

USPC D21/424, 433, 434, 483, 495, 522, D21/533-562; D12/86-93, 98, 159, D12/163-172, 401, 400, 190; 446/431, 446/448, 454-456, 465-466, 470-471
CPC B60G 2204/128; B60G 13/003; B62D 25/00; B62D 35/00; A63H 17/262; A63H 17/00; A63H 17/395; A63H 17/38; A63H 17/26; A63H 17/28; A63H 33/042; A63H 3/16; A63H 3/50; A63H 30/00; A63H 7/04; A63H 17/36; A63H 17/264; A63H 17/004; A63H 30/04; B60R 19/02; B60R 19/023; B60R 19/18; B60R 19/24; B60R 19/44; B60R 19/48; B60R 19/56; B60R 2019/527; B60R 2019/1886

(57) **CLAIM**

We claim the ornamental design for a model vehicle bumper, as shown and described.

See application file for complete search history.

DESCRIPTION

FIG. 1 is an upper, left, front perspective view of a model vehicle bumper, according to our new design; FIG. 2 is front elevation view thereof; FIG. 3 is a rear elevation view thereof; FIG. 4 is a left side elevation view thereof; FIG. 5 is a right side elevation view thereof; FIG. 6 is an upper plan view thereof; FIG. 7 is a lower plan view thereof; and, FIG. 8 is an upper, left, front perspective environmental use view of the model vehicle bumper.

In the drawings, the broken lines showing features of the model vehicle bumper form no part of the claimed design. The broken lines in FIG. 8 depict environmental subject matter that form no part of the claimed design.

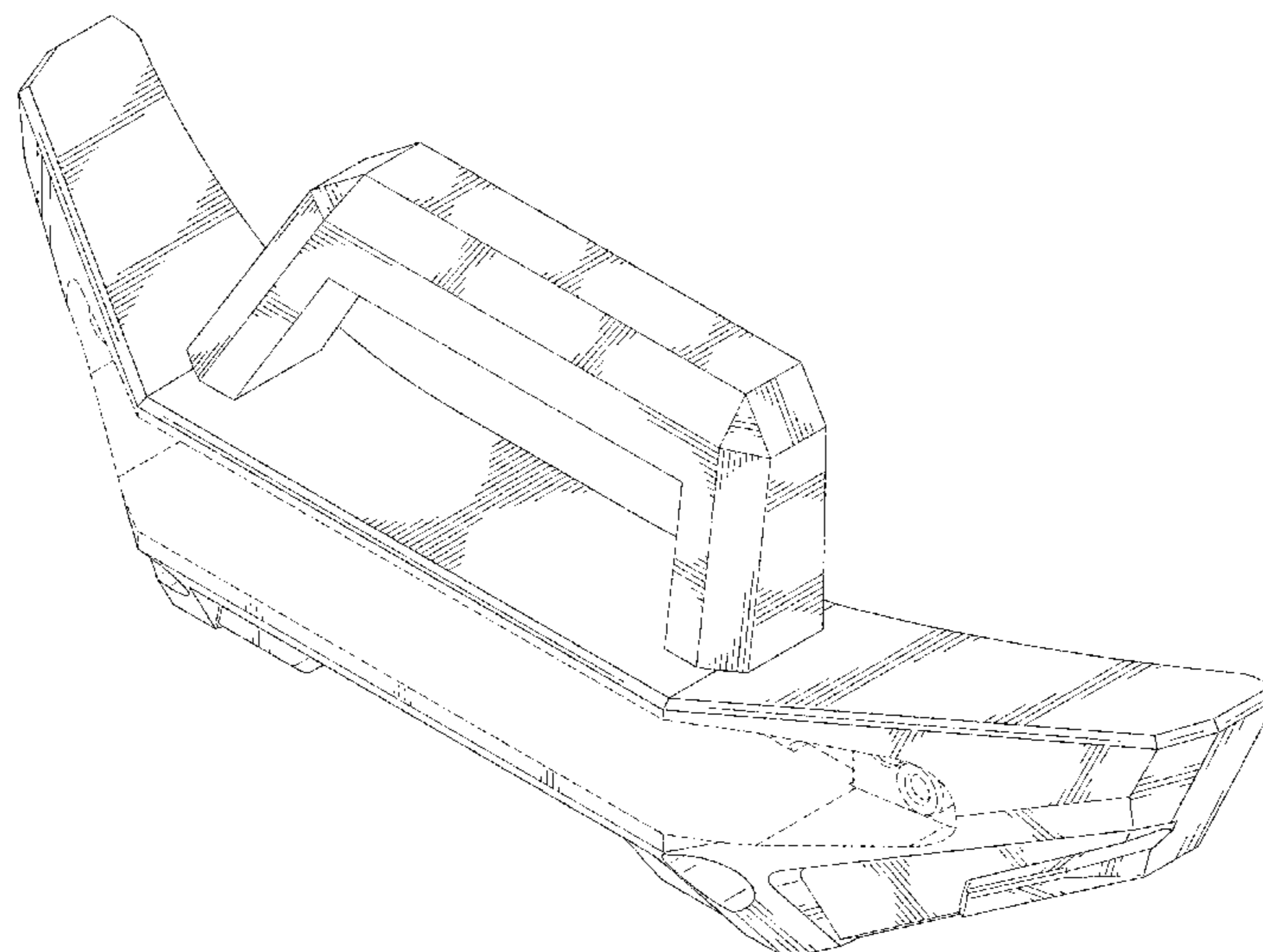
(56) **References Cited**

U.S. PATENT DOCUMENTS

1,355,592 A 10/1920 De Graw
1,414,382 A 5/1922 Stafford
1,427,624 A 8/1922 Newton

(Continued)

1 Claim, 6 Drawing Sheets



(56)

References Cited

U.S. PATENT DOCUMENTS

1,448,504 A	3/1923	Plante	D642,099 S	7/2011	Nagao et al.	
1,464,321 A	8/1923	Koester et al.	D683,281 S	5/2013	Harriton	
1,468,868 A	9/1923	Reichstetter, Jr. et al.	D691,074 S	10/2013	Dugardin	
1,487,352 A	3/1924	Nelson	D697,842 S	1/2014	Harriton	
1,494,867 A	5/1924	Rahe	D699,640 S	2/2014	Duderstadt	
1,509,394 A	9/1924	Cox	D704,107 S	5/2014	Peltola et al.	
1,534,760 A	4/1925	Blackmore	D713,305 S	9/2014	Sperling et al.	
1,633,603 A	6/1927	Spencer	D716,201 S	10/2014	Ewing et al.	
1,655,978 A	1/1928	Vella	D722,927 S	2/2015	Schroeder et al.	
1,729,731 A	10/1929	Vidach	D726,605 S	4/2015	Schroeder	
1,836,610 A	12/1931	McMurdo	D728,038 S	4/2015	Ewing et al.	
1,867,708 A	7/1932	Paton	D737,181 S	8/2015	Smith et al.	
1,982,775 A	12/1934	Williams	D737,724 S	9/2015	Schroeder et al.	
2,038,964 A	4/1936	Smith	D737,739 S	9/2015	Hanson et al.	
2,144,357 A	1/1939	Booharin	D740,730 S	10/2015	Peltola et al.	
2,146,642 A	2/1939	Mueth	D741,233 S	10/2015	Glover et al.	
2,227,560 A	1/1941	Szabo	D744,384 S	* 12/2015	Harriton	D12/169
2,236,507 A	4/1941	Kreits	D744,386 S	12/2015	Harriton	
D160,661 S	12/1949	Ross	D744,387 S	* 12/2015	Harriton	D12/169
2,502,483 A	4/1950	Sauer et al.	D744,388 S	12/2015	Harriton	
2,604,349 A	7/1952	Martinetz	D749,021 S	2/2016	Boniface et al.	
3,547,469 A	12/1970	Sancioni	D749,995 S	2/2016	Azadi et al.	
3,663,048 A	5/1972	Zimmerle	D751,012 S	3/2016	Hare	
3,689,054 A	9/1972	Gouirand	D753,034 S	4/2016	Thole et al.	
D225,523 S	12/1972	Nunn	D760,133 S	* 6/2016	Bennett	D12/171
3,756,643 A	9/1973	Weed	D761,166 S	7/2016	Hare	
3,774,948 A	11/1973	Gouirand	D763,745 S	8/2016	Lee, IV et al.	
3,782,767 A	1/1974	Moore	D771,537 S	* 11/2016	Hare	D12/171
3,829,118 A	8/1974	Gouirand	D775,013 S	12/2016	Bennett et al.	
3,837,695 A	9/1974	Haase et al.	D775,016 S	12/2016	Reynolds	
D234,194 S	1/1975	Cline	D776,582 S	1/2017	Bennett et al.	
3,938,840 A	2/1976	Haase et al.	D777,618 S	1/2017	Setina	
3,971,583 A	7/1976	Kornhauser	D777,619 S	1/2017	Barajas et al.	
4,264,094 A	4/1981	White et al.	D778,213 S	2/2017	Platto et al.	
D275,776 S	10/1984	Horowitz et al.	D778,784 S	2/2017	Hirooka	
D300,128 S	3/1989	Brennan	D781,193 S	3/2017	McMath	
5,181,699 A	1/1993	Chang	D781,757 S	* 3/2017	Baggett	D12/167
5,326,083 A	7/1994	Wydra et al.	D784,869 S	4/2017	Yamamoto	
D360,865 S	8/1995	Hanson	D785,504 S	5/2017	Higgs	
D375,067 S	10/1996	Bronstein	D786,745 S	5/2017	Zeng	
D403,023 S	12/1998	Araki	D789,258 S	* 6/2017	McMath	D12/167
5,971,451 A	10/1999	Huang	D792,817 S	7/2017	McMath	
D420,634 S	2/2000	Nelson	D792,818 S	* 7/2017	McMath	D12/171
D420,962 S	2/2000	Chevalier	D793,304 S	* 8/2017	McMath	D12/171
D422,953 S	4/2000	Waagenaar	D794,519 S	* 8/2017	McMath	D12/171
D425,462 S	5/2000	Ujii	D796,399 S	9/2017	Steen	
D431,506 S	10/2000	Runfola	D800,028 S	10/2017	Baggett	
D432,469 S	10/2000	Nelson	D800,036 S	10/2017	Bennett et al.	
6,217,090 B1	4/2001	Berzinji	D800,226 S	10/2017	Zeng	
D454,098 S	3/2002	McGuinness	D801,892 S	11/2017	Drever	
D454,099 S	* 3/2002	McGuinness	D811,956 S	3/2018	Zeng	
D454,817 S	* 3/2002	McGuinness	D821,275 S	6/2018	Eck et al.	
D455,684 S	4/2002	McGuinness	D823,750 S	7/2018	Schulzetenberg et al.	
D455,988 S	4/2002	McGuinness	D826,115 S	* 8/2018	Chi	D12/172
D462,401 S	9/2002	Wu	D826,116 S	8/2018	DiCanzio	
D462,727 S	9/2002	Wu	D827,054 S	8/2018	Ewing et al.	
D464,087 S	10/2002	Wu	D827,055 S	* 8/2018	Barajas	D21/561
D476,606 S	7/2003	Hamm et al.	D830,919 S	10/2018	Zeng	
D485,219 S	1/2004	Hamm et al.	D832,161 S	10/2018	Kobayashi	
D487,038 S	2/2004	Chan	D832,368 S	10/2018	Barajas et al.	
D502,433 S	3/2005	McClanahan	D833,922 S	* 11/2018	DiCanzio	D12/163
D506,421 S	6/2005	Newbill	D845,844 S	4/2019	Langhals et al.	
D521,572 S	5/2006	Yuen	D845,845 S	4/2019	Goodrich et al.	
7,097,222 B2	8/2006	Ran	D845,846 S	4/2019	Goodrich et al.	
D527,696 S	9/2006	Ichikawa et al.	D845,847 S	4/2019	Piscitelli et al.	
D532,348 S	11/2006	Kudo et al.	D846,460 S	4/2019	Goodrich et al.	
D533,606 S	12/2006	Kaminski	D846,461 S	4/2019	Piscitelli et al.	
D534,593 S	1/2007	Yuen	D846,462 S	4/2019	DiCanzio	
D577,083 S	9/2008	Nakayama	D847,051 S	* 4/2019	DiCanzio	D12/171
D580,322 S	11/2008	Schroeder et al.	D847,709 S	* 5/2019	Neal	D12/171
D590,752 S	4/2009	Williams et al.	D850,334 S	* 6/2019	DiCanzio	D12/169
D593,616 S	6/2009	Asai	D864,806 S	* 10/2019	Wood	D12/171
D606,913 S	12/2009	Robertson	D870,615 S	12/2019	Wood	
7,703,834 B1	4/2010	Hardy et al.	D873,729 S	1/2020	Rolfs et al.	
D636,305 S	4/2011	Alvarez et al.	D873,730 S	1/2020	Goodrich et al.	
			D873,731 S	1/2020	Goodrich et al.	
			D873,734 S	1/2020	Goodrich et al.	
			D874,998 S	* 2/2020	Zhang	D12/171
			D874,999 S	2/2020	Ewing et al.	

(56)

References Cited

U.S. PATENT DOCUMENTS

D877,003	S	3/2020	Izard	
D877,670	S	3/2020	Moctezuma	
D878,976	S	3/2020	Goodrich et al.	
D878,978	S *	3/2020	Li	D12/171
D880,381	S *	4/2020	DiCanzio	D12/171
D887,328	S	6/2020	Lee	
D889,332	S *	7/2020	Chi	D12/171
D891,330	S	7/2020	Lenz, Jr.	
D893,366	S	8/2020	Dewitt et al.	
D894,802	S	9/2020	Grand	
D894,803	S	9/2020	DiCanzio	
D904,244	S	12/2020	Wood et al.	
2006/0192398	A1	8/2006	Buniewicz et al.	
2006/0261613	A1 *	11/2006	Byers	B60R 19/28 293/135
2009/0212581	A1	8/2009	Drever	
2009/0302623	A1	12/2009	Finney	
2013/0187395	A1	7/2013	Hanson et al.	
2017/0088076	A1	3/2017	Fujimoto et al.	
2017/0247014	A1	8/2017	Farooq et al.	
2017/0349227	A1	12/2017	Spindler et al.	
2018/0072254	A1	3/2018	Wymore	
2019/0337476	A1 *	11/2019	Hare	B60R 19/48

FOREIGN PATENT DOCUMENTS

TW	D163365	S	10/2014
TW	D168397	S	6/2015
TW	D169825	S	8/2015

OTHER PUBLICATIONS

Traxxas TRX-4 Winch Front Bumper, Earliest Available Date May 22, 2019 [Online], [Site Visited Oct. 20, 2020] Available From Internet, URL: <https://www.amainhobbies.com/traxxas-trx4-winch-front-bumper-tra8124/p779826?gclid=EAlalQobChMI0aymroXE7AIVD02GCh0ntA-WEAQYBSABEgJI5_D_BwE> (Year: 2019).*

Traxxas LP; The New Traxxas Summit 16.8 V Electric Extreme Terrain Monster Truck; Traxxas Press Release; Oct. 16, 2008.

Summit E-Revo Crawler SP08503 front bumper; Oct. 16, 2008.

“How Do I Add a Ball Hitch to my RPM Rear Bumper (T/E-Maxx & Revo Bumpers)?” RPM, Jul. 30, 2005 [online], [retrieved on Sep. 12, 1996]. Retrieved from the internet, URL: <http://www.rpmrcproducts.com/faq/add-ball-hitch-rpm-rear-bumper-te-maxx-revo-bumpers/>.

“WARN 87750 Elite Series Front Bumper with Grill Guard Tube” RPM, Jul. 17, 2013 [online], [retrieved on Sep. 12, 2016]. Retrieved from Internet, URL: https://www.amazon.com/gp/product/B00625F4FI/ref=pd_sim_263_5?ie=UTF8&pd_rd_i=B00625F4FI&pd_rd_r=QN6NZ5WV34ZS00Z3BSGH&pd_rd_w=4XjJD&pd_rd_wg=7Z80V&psc=1&refRID=QN6NZ5WV34ZS0.

“Yeah Racing F/R Bumper w/ HD Shackie & LED’s—SCX10, Traxxas.” RC Hobbies, Nov. 12, 2014 [online], [retrieved on Sep. 12, 2016]. Retrieved from the Internet <URL: http://rchoobbies.com.au/store/product_info.php?products_id=80405>.

Taiwan IPO Search Report; Taiwan Design Patent App No. 105301434; dated Aug. 4, 2016.

Associated Electrics; “Catalog and Parts Listing for the Monster GT Truck”; 2003; Associated Electrics, Inc., Costa Mesa, California.

Horizon Hobby; “Team Losi LST Super Truck—Drive Train Assy” exploded view; Horizon Hobby, Inc., Champaign, Illinois.

HPI Racing, “Savage 21 4WD Giant Monster Truck” p. 56 exploded view; Hobby Products International, Foothill Ranch, California.

Tamiya, “Terra Crusher Parts Breakdown—Front End”; Tamiya America, Inc., Aliso Viejo, California.

Tamiya, “Wild Willy 2 Parts Breakdown”; 1999, Tamiya America, Inc., Aliso Viejo, California.

Tamiya, “Wild Willy”; Tamiya America, Inc., Aliso Viejo, California; 1 photograph.

Traxxas, “T-MAXX Assemblies—Front Assembly”; Traxxas LP, Plano, Texas.

Axial SCX10 II 2000 Jeep Cherokee; <http://www.axialracing.com/products/ax90047>; Aug. 2016.

Axial SCX 10 Deadbolt; <http://www.axialracing.com/products/ax90044>; Aug. 2016.

Traxxas; Bumper support geometry, body mounts, body mount posts; <https://traxxas.com/products/parts/3619>; Oct. 2016.

Sema 2015 Fab Fours; 2 photos.

TF2 Mojave ARB-Deluxe Metal Front Bumper Assembly, Earliest Available Date Oct. 22, 2020 [Online], [Site Visited Oct. 22, 2020] Available From Internet, URL: <<https://www.aliexpress.com/i/4000118857581.html>> (Year: 2020).

Traxxas 5834 Front Bumper Mount Front Adapter 2WD Slash 4x4, Earliest Available Date Jul. 15, 2020 [Online], [Site Visited Oct. 22, 2020] Available From Internet, URL: <https://www.ebay.com/itm/Traxxas-5834-Front-Bumper-Mount-Front-Adapter-2WD-Slash-4x4-174332832512?_trksid=p2385738.m4383.l4275.c10> (Year: 2020).

Traxxas TRA6736 Bumper, Front/ Bumper Support, Earliest Available Date Oct. 22, 2020 [Online], [Site Visited Oct. 22, 2020] Available From Internet, URL: <<https://amazon.com/Traxxas-TRA6736-Bumper-Front-Support/dp/B07HJF56V1#customerReviews>> (Year: 2020).

* cited by examiner

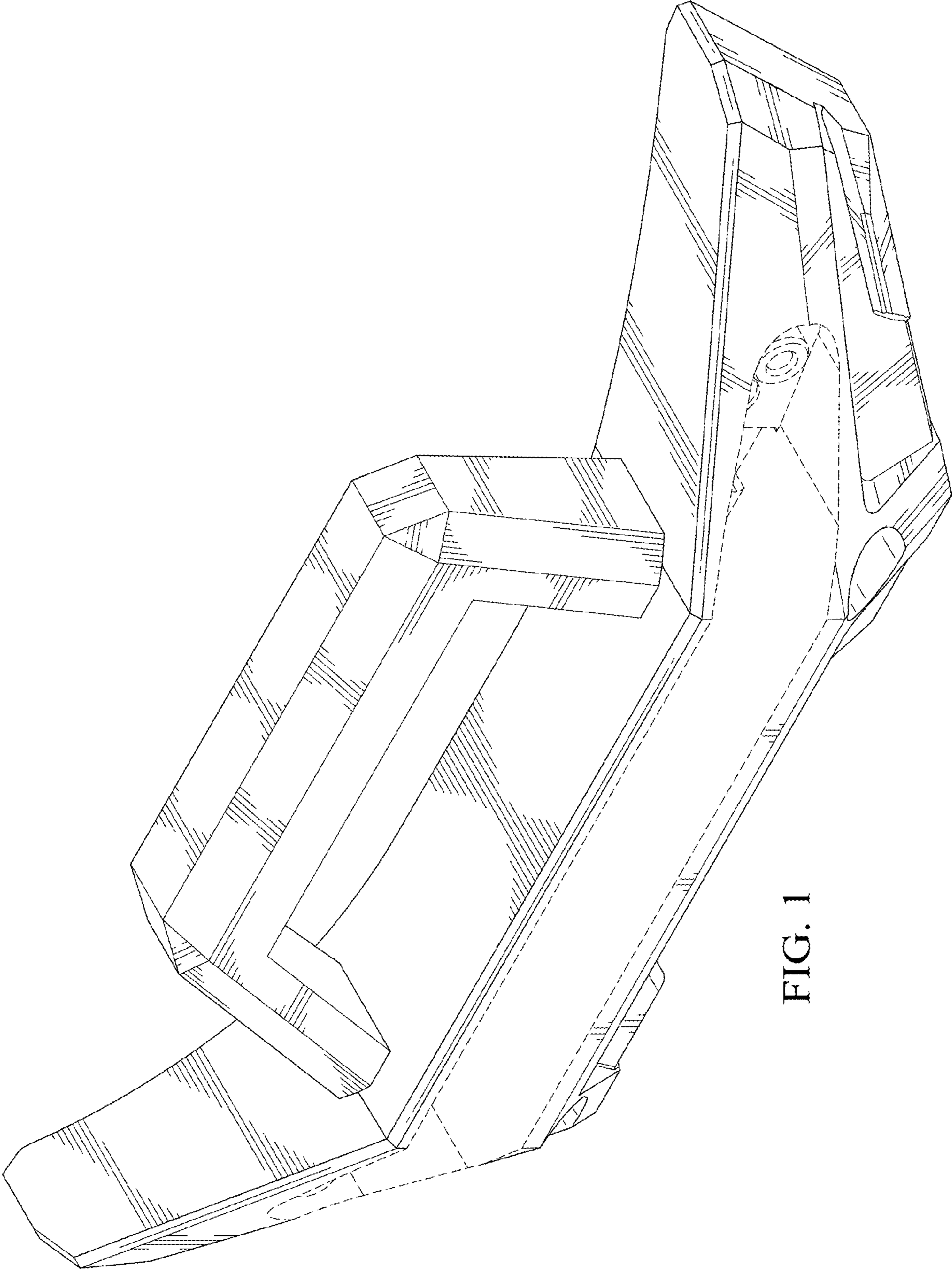


FIG. 1

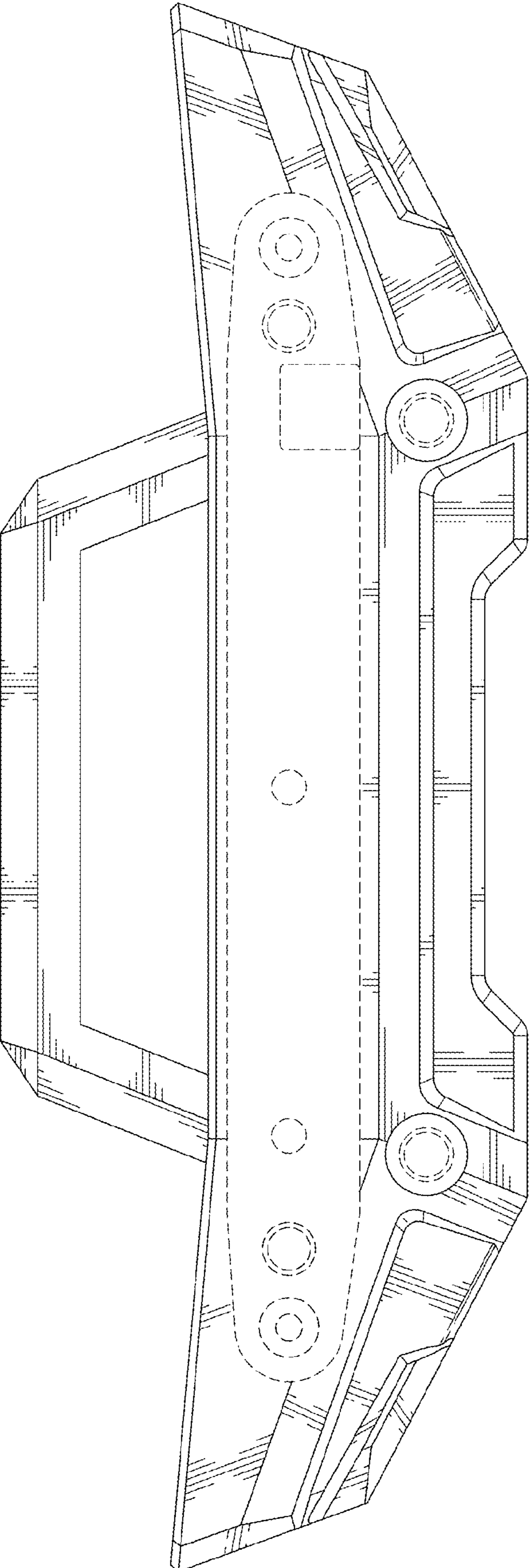


FIG. 2

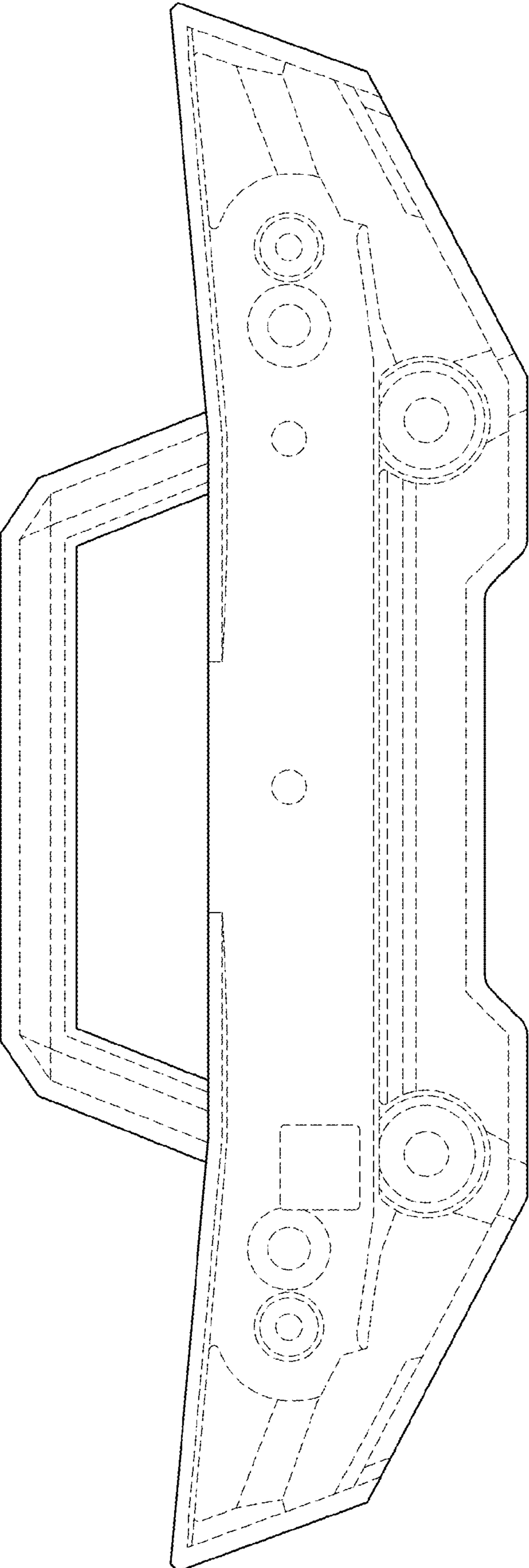


FIG. 3

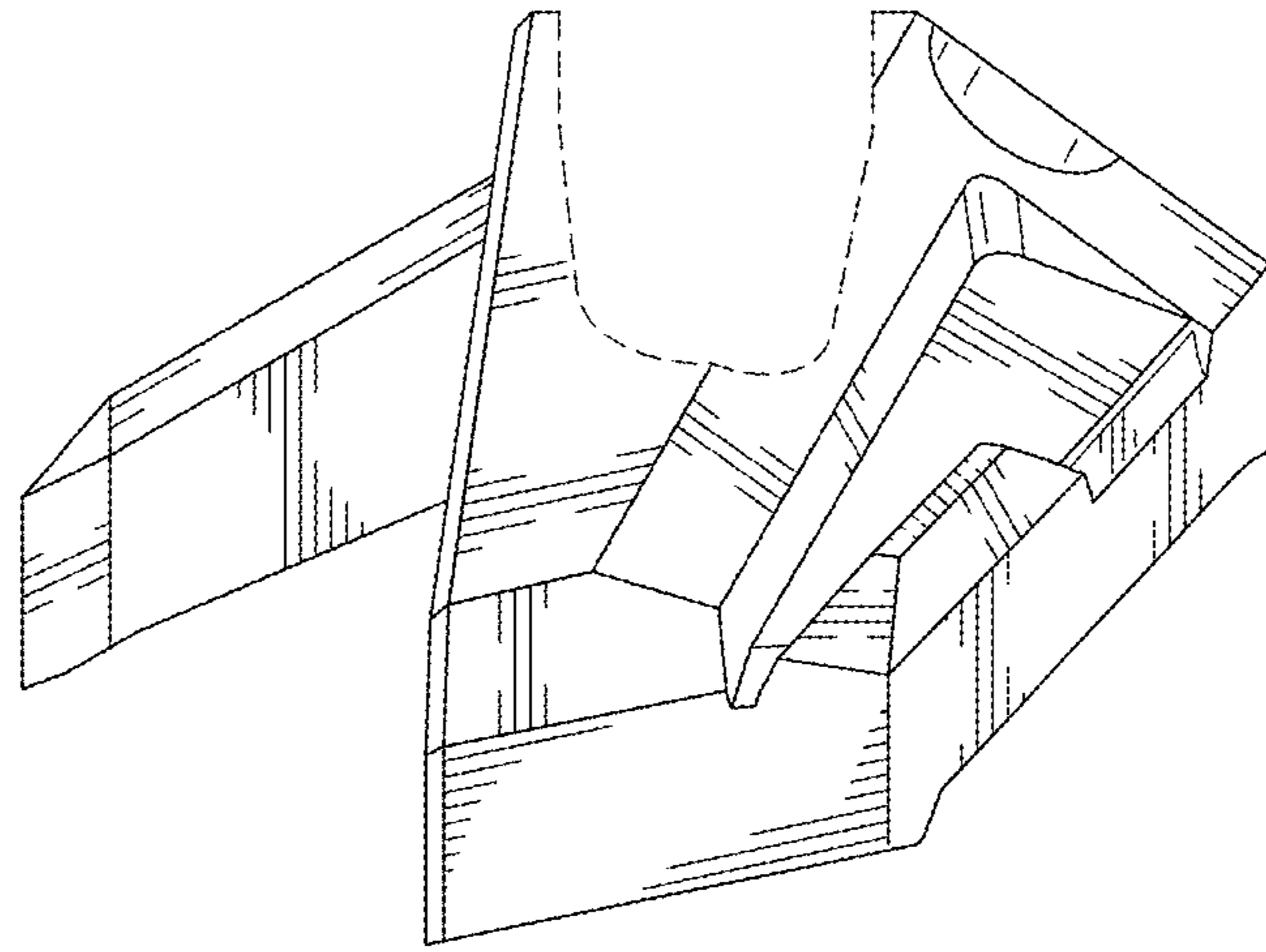


FIG. 5

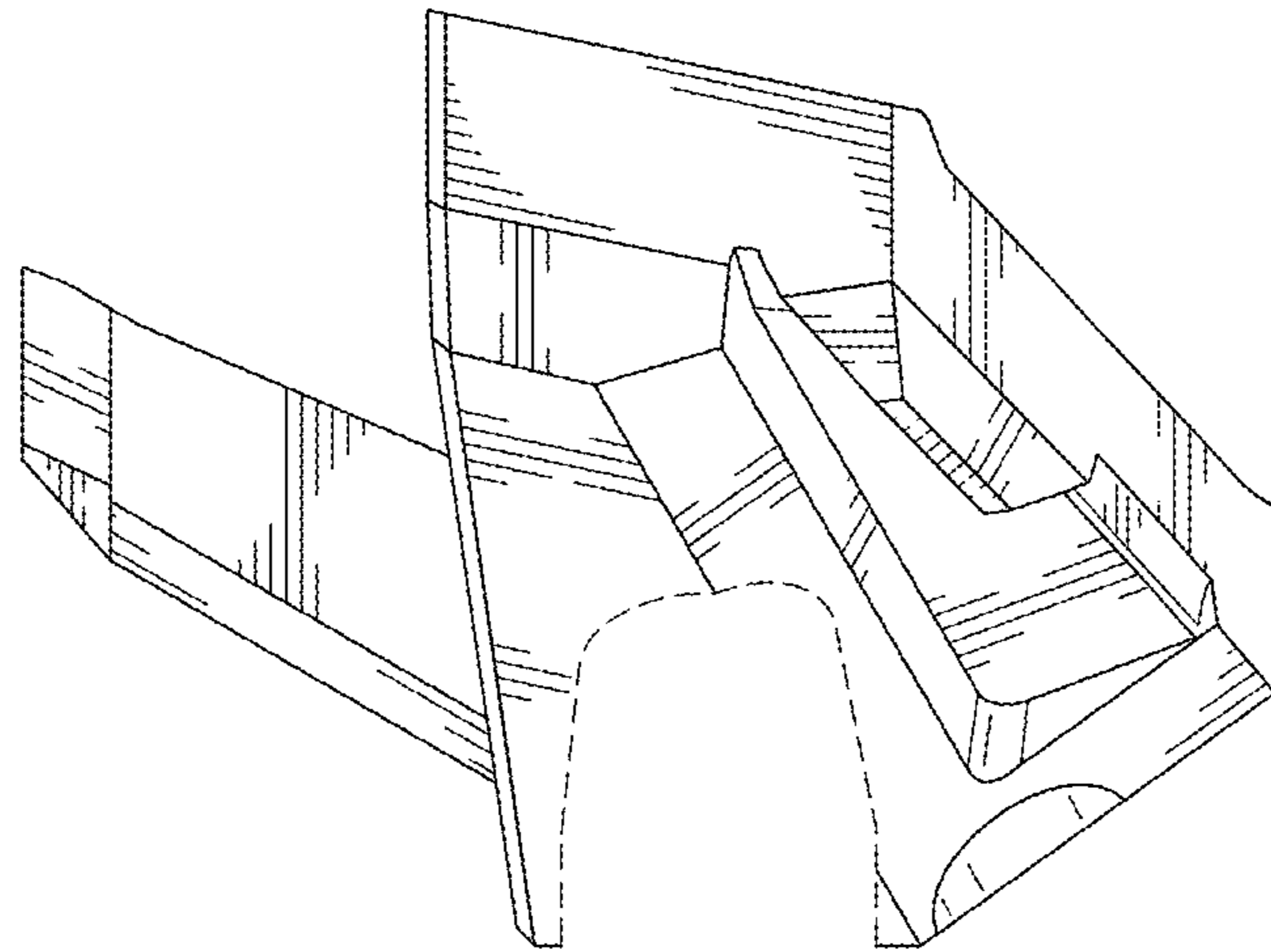


FIG. 4

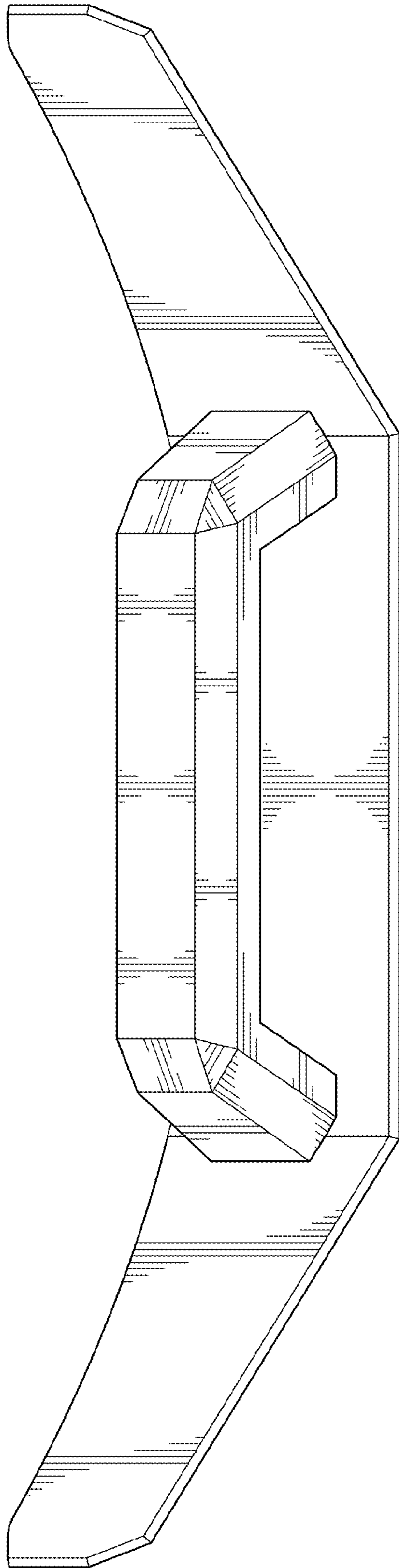


FIG. 6

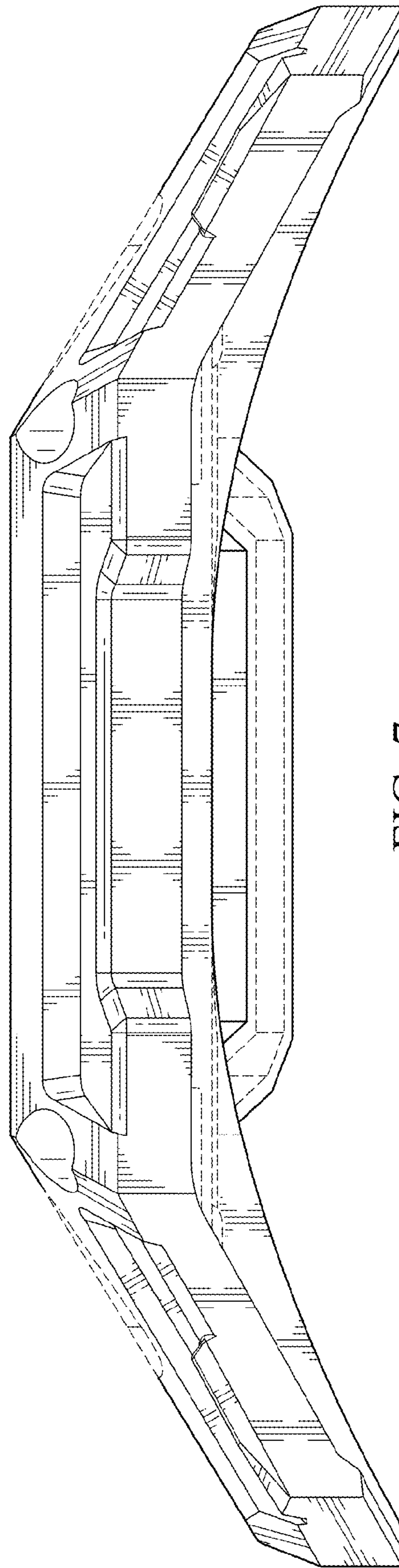


FIG. 7

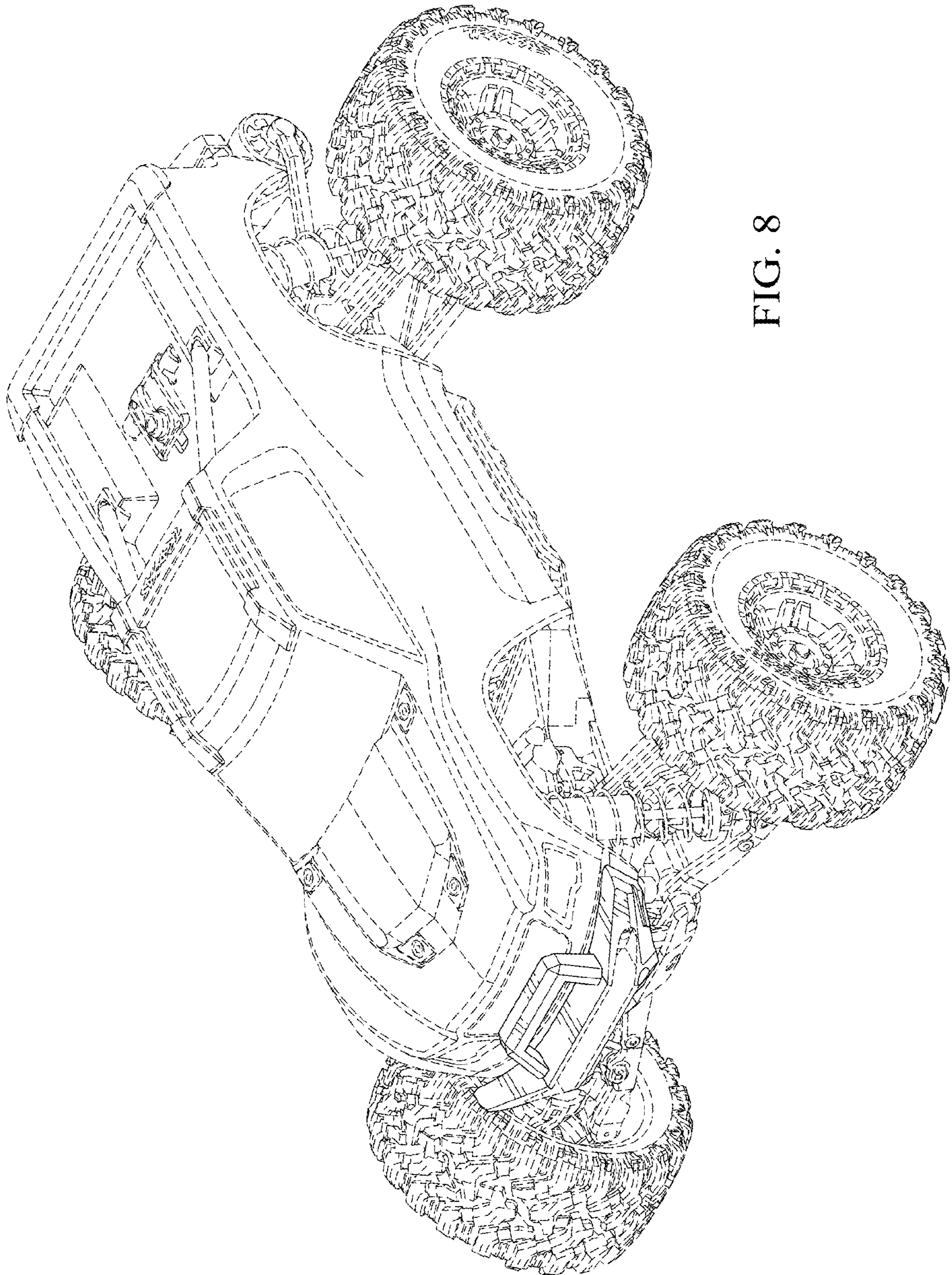


FIG. 8