



US00D923110S

(12) **United States Design Patent** (10) **Patent No.:** **US D923,110 S**
Gamble et al. (45) **Date of Patent:** **** Jun. 22, 2021**

(54) **TOY VEHICLE**
(71) Applicants: **Spin Master Ltd.**, Toronto (CA); **Bbx Design Group Inc.**, Humarock, MA (US)

4,894,042 A 1/1990 Kamikawa
5,019,009 A 5/1991 Chao-Chin
D322,102 S * 12/1991 Araki D21/550
5,259,808 A 11/1993 Garr
(Continued)

(72) Inventors: **Lee Gamble**, Etobicoke (CA);
Chaitanya Dogra, Oakville (CA);
Jason C. Lee, Humarock, MA (US)

FOREIGN PATENT DOCUMENTS

CN 303692532 S 6/2016
CN 303692533 S 6/2016
(Continued)

(73) Assignee: **SPIN MASTER LTD.**, Toronto (CA)

OTHER PUBLICATIONS

(**) Term: **15 Years**

Monster Jam, Official Grave Digger Remote Control Monster Truck, 1_10 Scale, Tin-Eye Date Aug. 27, 2019 [Online], [Site Visited Dec. 16, 2020] Available From Internet, URL in PDF (Year: 2019).*

(21) Appl. No.: **29/718,937**

(22) Filed: **Dec. 30, 2019**

(51) **LOC (13) Cl.** **21-01**

(52) **U.S. Cl.**
USPC **D21/533**

(58) **Field of Classification Search**
USPC D21/433, 434, 483, 533-562; D12/82,
D12/86, 90, 92; 446/431, 471, 454-456
CPC B62D 25/00; B62D 35/00; A63H 17/262;
A63H 17/00; A63H 17/395; A63H 17/38;
A63H 17/26; A63H 17/28; A63H 17/004;
A63H 29/22

See application file for complete search history.

(Continued)

Primary Examiner — Holly E Thurman
(74) *Attorney, Agent, or Firm* — Millman IP Inc.

(57) **CLAIM**

The ornamental design for a toy vehicle, as shown and described.

DESCRIPTION

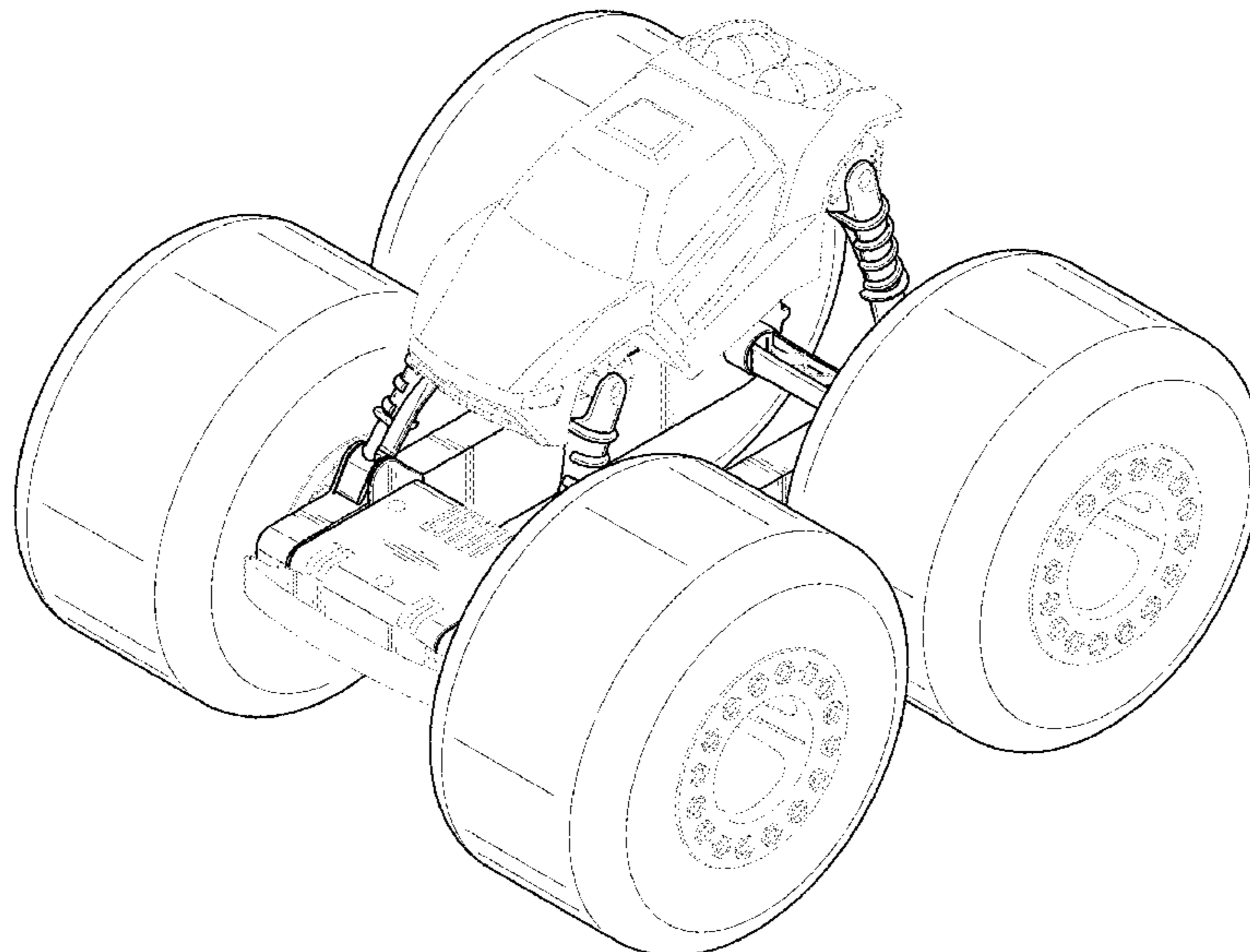
FIG. 1 is a perspective view from above, to the front and the left side of the new design for a toy vehicle;
FIG. 2 is a perspective view from below, to the rear and to the right side thereof;
FIG. 3 is a front elevation view thereof;
FIG. 4 is a rear elevation view thereof;
FIG. 5 is a right side elevation view thereof;
FIG. 6 is a left side elevation view thereof;
FIG. 7 is a top plan view thereof; and,
FIG. 8 is a bottom plan view thereof.
In the drawings, the broken lines are for the purpose of illustrating portions of the article that form no part of the claimed design.

(56) **References Cited**

U.S. PATENT DOCUMENTS

1,542,139 A * 6/1925 Ives A63H 19/22
105/157.2
3,000,137 A 9/1960 Vine
3,816,958 A 6/1974 Winston
D252,651 S * 8/1979 Tepper D21/427
4,363,187 A 12/1982 Shinohara
D281,000 S 10/1985 Kuna et al.
D282,677 S * 2/1986 Arigaya D21/562
4,591,346 A 5/1986 Ikeda
D294,278 S * 2/1988 Ukisu D21/560

1 Claim, 8 Drawing Sheets



(56)

References Cited

U.S. PATENT DOCUMENTS

5,307,890 A * 5/1994 Huang A63G 25/00
180/65.1
5,667,420 A 9/1997 Menow
D390,890 S * 2/1998 Lun D21/550
5,919,075 A 7/1999 George et al.
6,024,627 A 2/2000 Tilbor et al.
D428,076 S * 7/2000 Wise D21/548
6,095,890 A 8/2000 George
6,129,607 A 10/2000 Hoeting et al.
6,171,171 B1 * 1/2001 Barthold A63H 17/28
446/219
6,227,934 B1 5/2001 Isaksson et al.
D457,926 S * 5/2002 Zweiback D21/550
6,394,878 B1 * 5/2002 Wang A63H 17/262
446/454
6,749,482 B1 * 6/2004 Hollis A63H 17/002
446/466
6,764,374 B2 7/2004 Tilbor et al.
D534,593 S * 1/2007 Yuen D21/562
D534,967 S * 1/2007 Clark D21/562
7,261,615 B2 * 8/2007 Hoeting A63H 17/262
446/437
D577,083 S * 9/2008 Nakayama D21/562
D597,151 S * 7/2009 Ishikawa D21/562
D630,269 S * 1/2011 Matsuda D21/533
D639,351 S * 6/2011 Newmayer D21/533
8,038,504 B1 * 10/2011 Wong A63H 30/04
446/454
D677,344 S * 3/2013 Petersen D21/539
D677,345 S * 3/2013 Isted D21/551
D687,902 S * 8/2013 Hunt D21/533
D690,371 S * 9/2013 Kinney D21/548
D691,675 S * 10/2013 Kim D21/533
8,900,031 B2 12/2014 Benedict
8,939,812 B2 1/2015 Chan et al.
9,283,489 B2 3/2016 Pischiera et al.
9,352,242 B2 5/2016 Rehkemper
D771,201 S * 11/2016 Tompkin D21/550
D771,202 S * 11/2016 Gan D21/552
9,573,072 B2 2/2017 Cai
D792,524 S * 7/2017 Lee D21/533
9,789,413 B2 10/2017 Erhart et al.
9,931,580 B2 4/2018 Rehkemper
D825,684 S * 8/2018 Gan D21/550
D825,685 S * 8/2018 Tompkin D21/550
D837,307 S * 1/2019 Jin D21/548
D838,320 S * 1/2019 Lee D21/533
D849,598 S * 5/2019 Schroeder D12/14
D868,905 S * 12/2019 Tompkin D21/550
D869,570 S * 12/2019 Barajas D21/548
D870,211 S * 12/2019 Wozniak D21/562
D876,555 S * 2/2020 Barajas D21/548
D879,212 S * 3/2020 Barajas D21/562
10,843,094 B1 * 11/2020 Balanchi A63H 30/04
D904,531 S * 12/2020 Barajas D21/552
2001/0044255 A1 * 11/2001 Lee A63H 17/004
446/469
2002/0137428 A1 9/2002 Tilbor et al.
2004/0082268 A1 4/2004 Choi

2005/0148282 A1 * 7/2005 Moll A63H 29/22
446/456
2008/0261487 A1 10/2008 Torres
2009/0149113 A1 * 6/2009 Lund A63H 17/004
446/454
2011/0054717 A1 3/2011 Yamauchi et al.
2012/0252314 A1 * 10/2012 Milne A63H 17/262
446/465
2012/0322341 A1 * 12/2012 Benedict A63H 17/40
446/437
2013/0252510 A1 9/2013 Wallace
2015/0137497 A1 5/2015 Pischiera et al.
2016/0129355 A1 5/2016 Erhart et al.
2017/0036127 A1 * 2/2017 Wang A63H 17/28
2018/0280820 A1 * 10/2018 Mucaro A63H 19/18
2018/0333649 A1 * 11/2018 Mucaro A63H 17/262
2019/0233035 A1 8/2019 Meager
2020/0368629 A1 * 11/2020 Moss A63H 17/004

FOREIGN PATENT DOCUMENTS

CN 304817527 S 9/2018
CN 305317772 * 8/2019
WO 01/72391 A1 10/2001
WO 2019/005727 A 1/2019

OTHER PUBLICATIONS

U.S. Appl. No. 16/723,986, Non-Final Office Action, USPTO dated Jul. 14, 2020.
Railey72, ‘Paddle Tires and Dyable Wheels’. TamiyaClub, Jan. 6, 2008. Photograph retrieved from TamiyaClub online community [online], [retrieved on Jun. 27, 2019]. Retrieved from the Internet: <URL: https://www.tamiyaclub.com/showroom_model.asp?cid=69701&id=2467>.
Screen captures from YouTube video clip entitled “New 3D Printed RC Car Tires—Driving on Water!!!,” 2 pages, uploaded on Oct. 1, 2017 by user RCLifeOn. Retrieved from Internet: <<https://www.youtube.com/watch?v=YMZkXu0QfAo>>.
Hobbysoul 4pc RC 1/8 Paddles Buggy Tires Hex 17mm Wheels For Snow Sand Master Off Road Car. Photograph retrieved from Amazon.com product page [online], [retrieved on Jun. 27, 2019]. Retrieved from the Internet: <URL: <https://www.amazon.com/hobbysoul-Paddles-Buggy-Wheels-Master/dp/B076NPQ41S>>.
Pro-Line Sling Shot 3.8" (Traxxas Style Bead) Sand Tires Mounted (2) PL1179-11. Photograph retrieved from EURORC product page [online], [retrieved on Jun. 27, 2019]. Retrieved from the Internet: <URL: <https://www.eurorc.com/product/12376/pro-line-sling-shot-38-traxxas-style-bead-sand-tires-mounted-2>>.
RC Car 1/8 17mm Hex Hub Baja Buggy Snow Sand Paddle Tires Tyre and Wheels 82-807. Photograph retrieved from AliExpress product page [online], [retrieved on Jun. 27, 2019]. Retrieved from the Internet <URL: <https://www.aliexpress.com/item/32824988993.html>>.
Yiguo 4pcs 1/8 Scale RC Off Road Baja Buggy Snow Sand Paddle Tires Tyre and Wheels for HSP HPI . Photograph retrieved from Amazon.com product page [online], [retrieved on Jun. 27, 2019]. Retrieved from the Internet: <<https://www.amazon.com/Yiguo-Scale-Paddle-Tires-Wheels/dp/B01FNUTO3K>>.

* cited by examiner

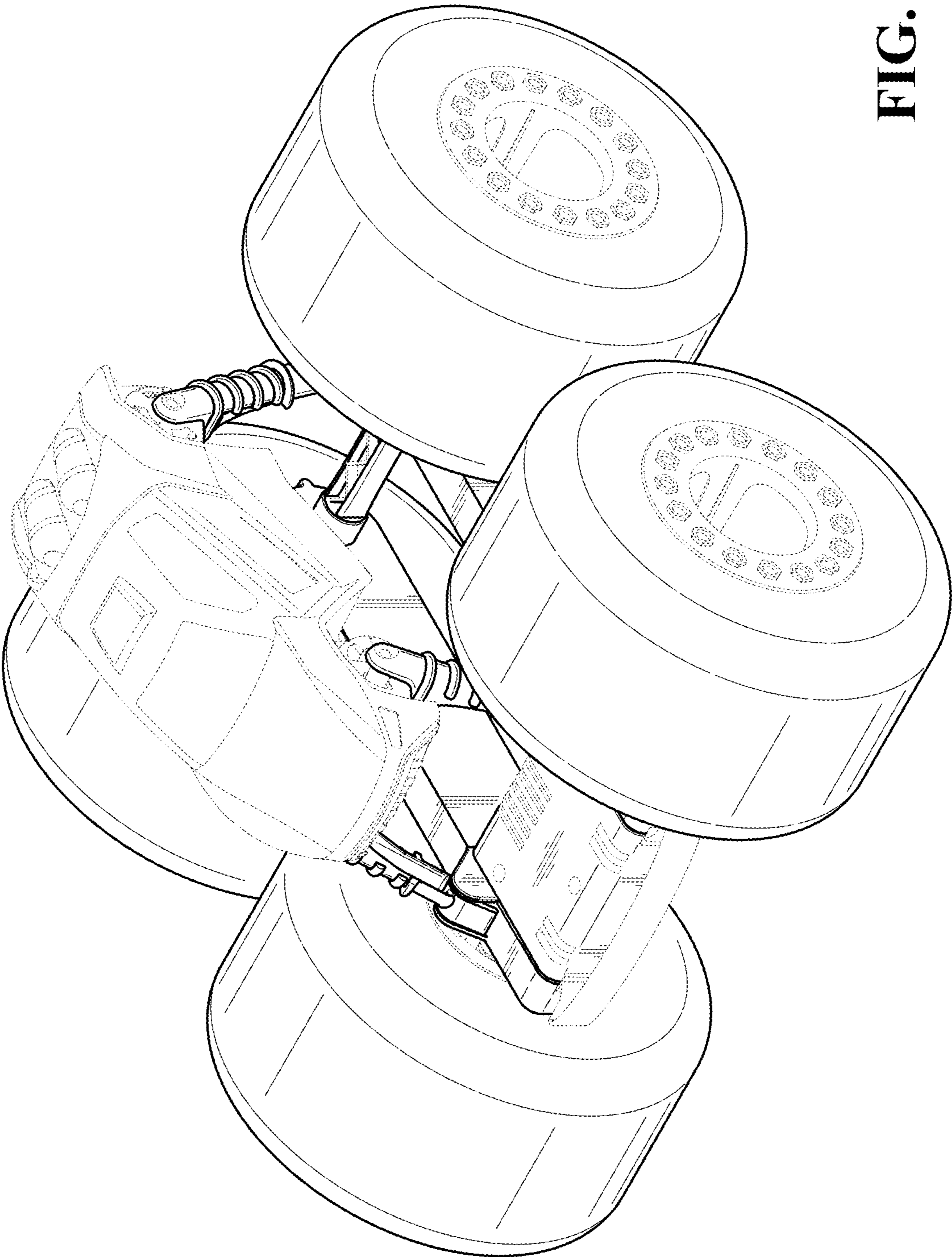


FIG. 1

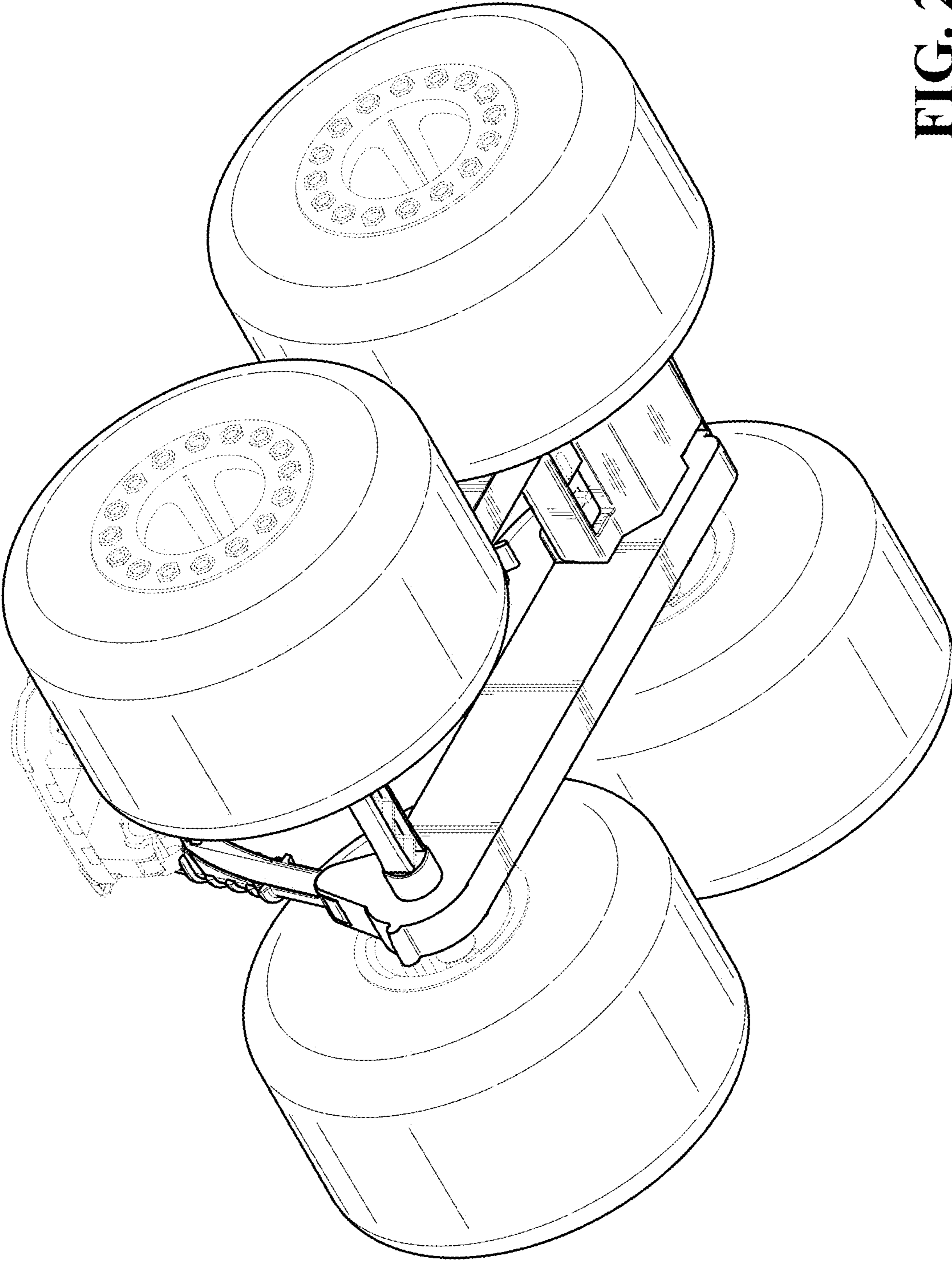


FIG. 2

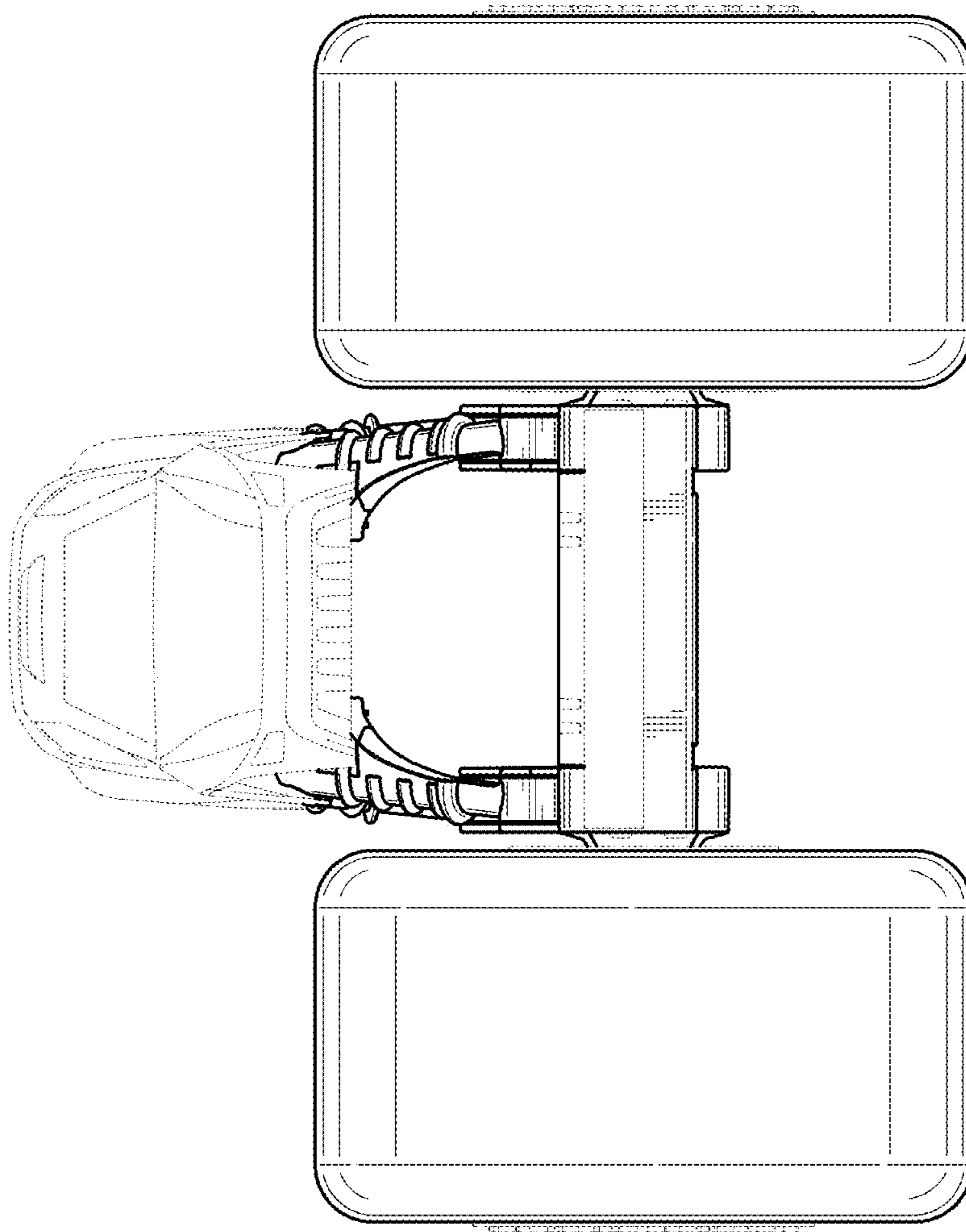


FIG. 3

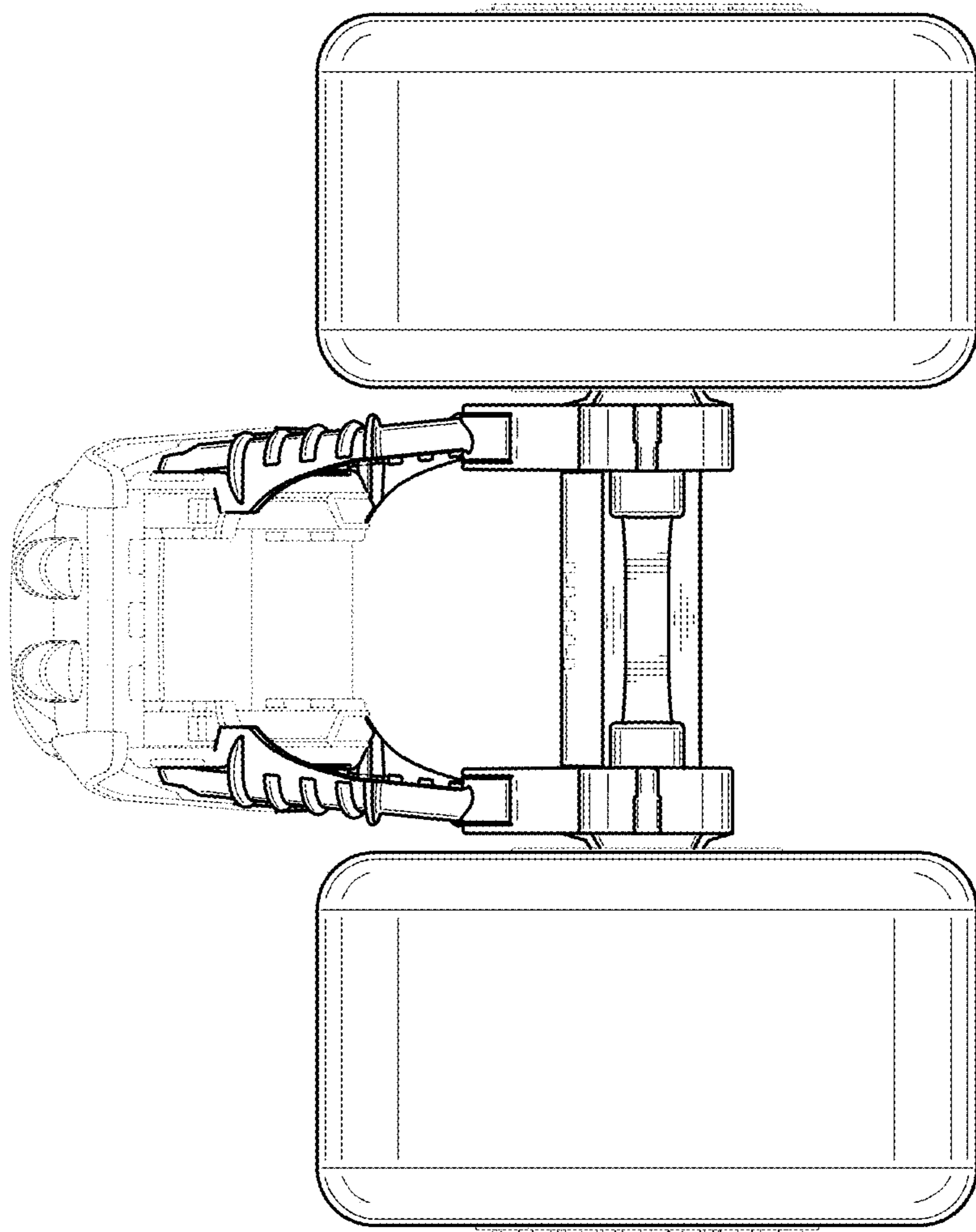


FIG. 4

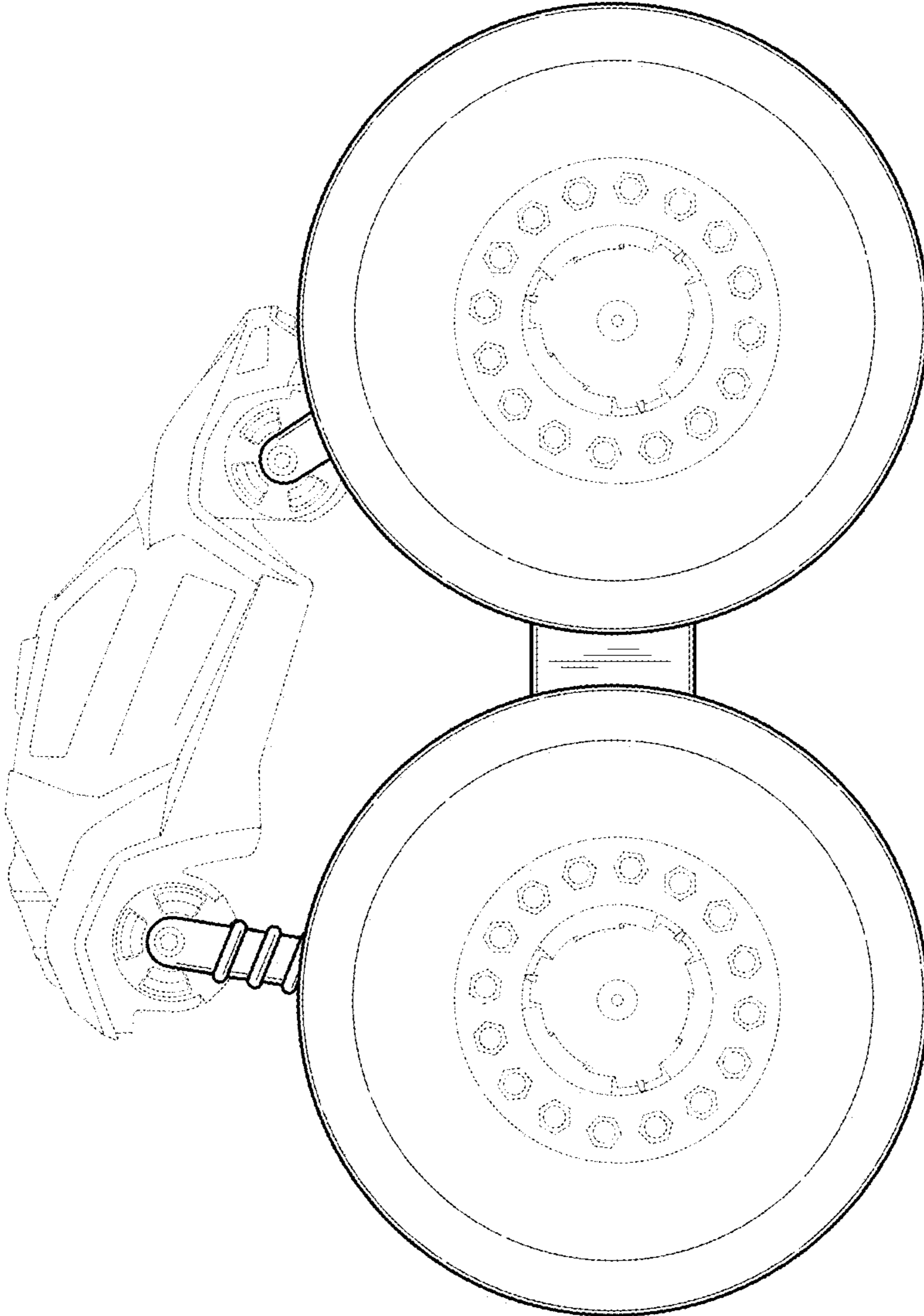


FIG. 5

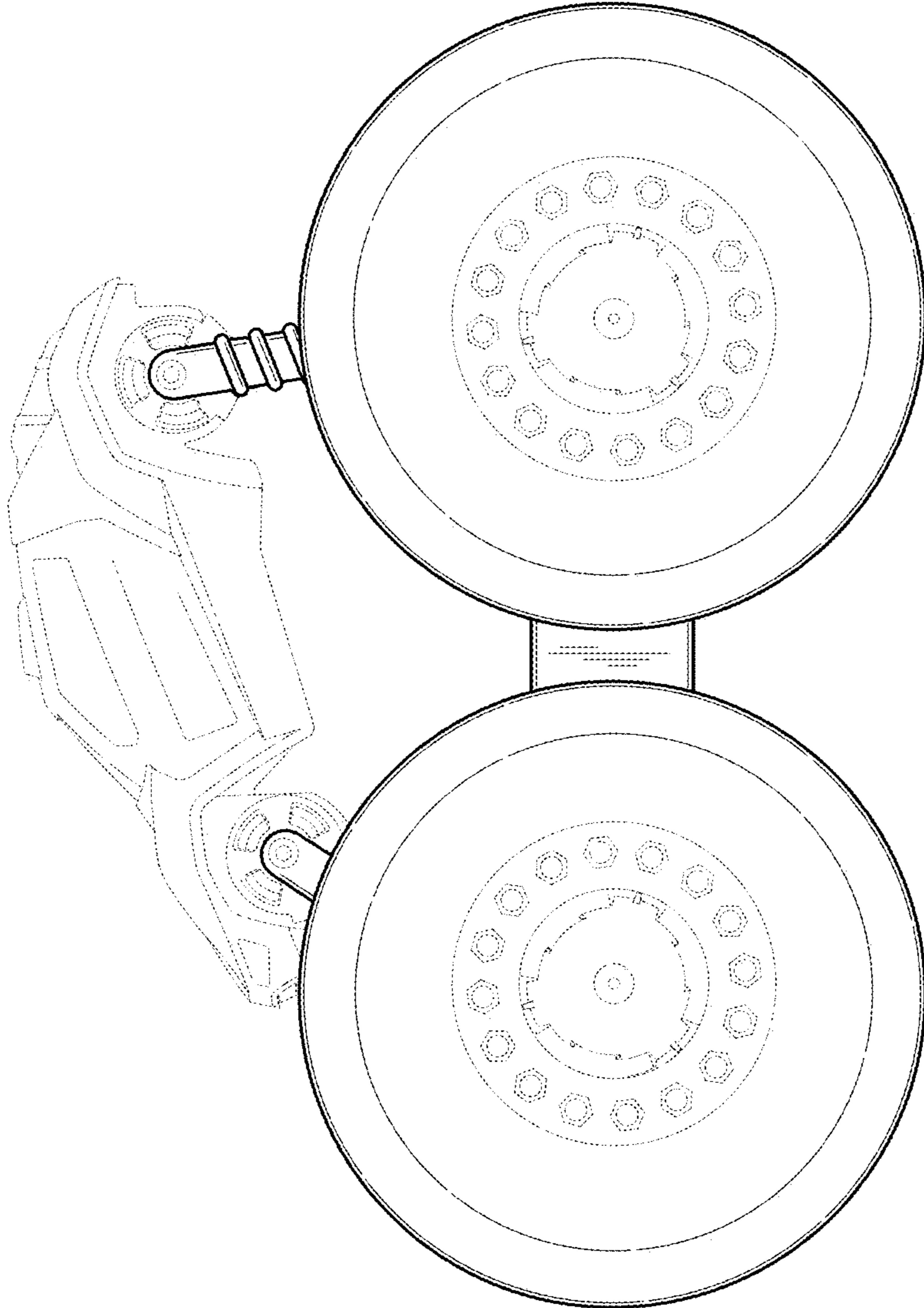


FIG. 6

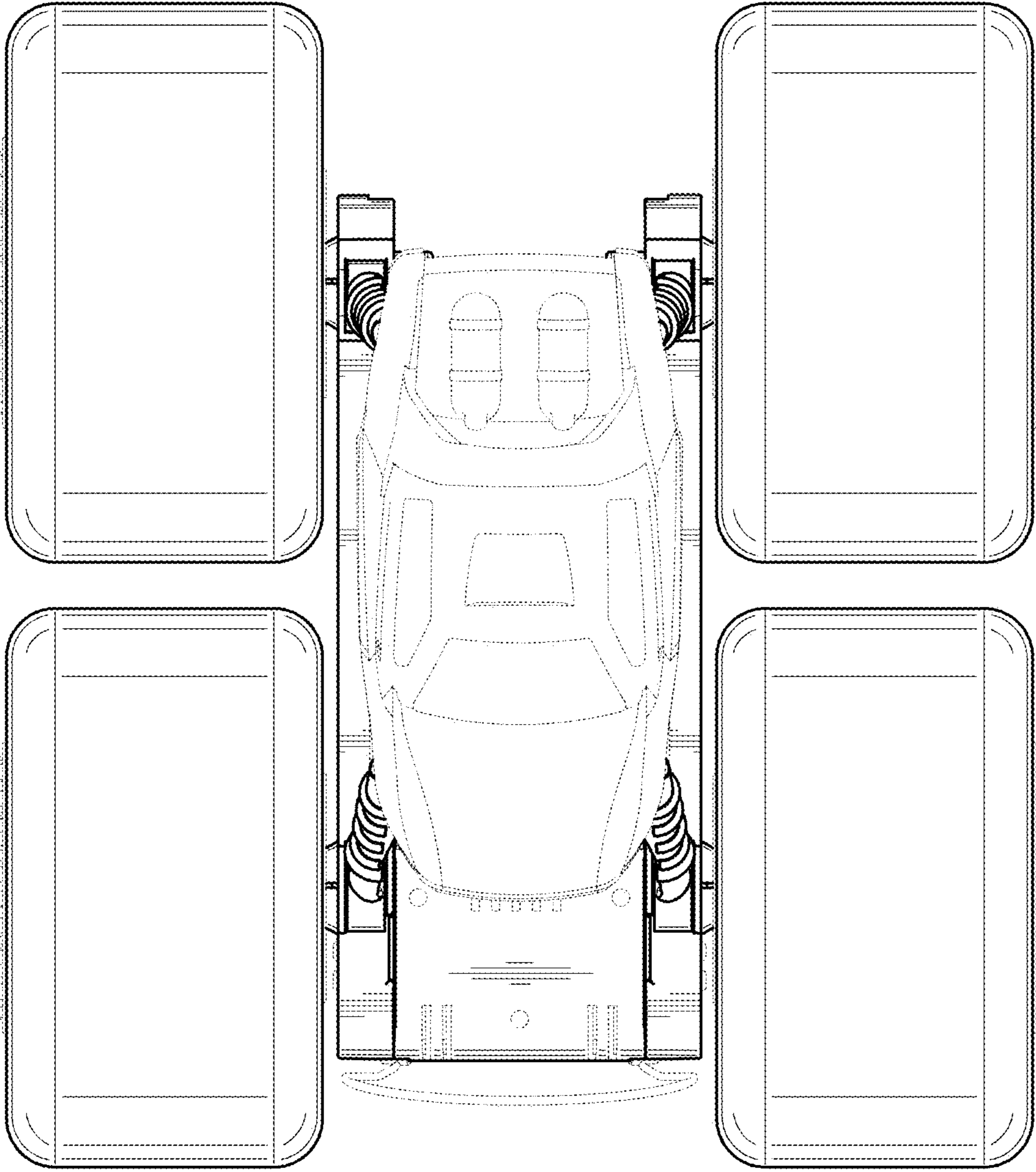


FIG. 7

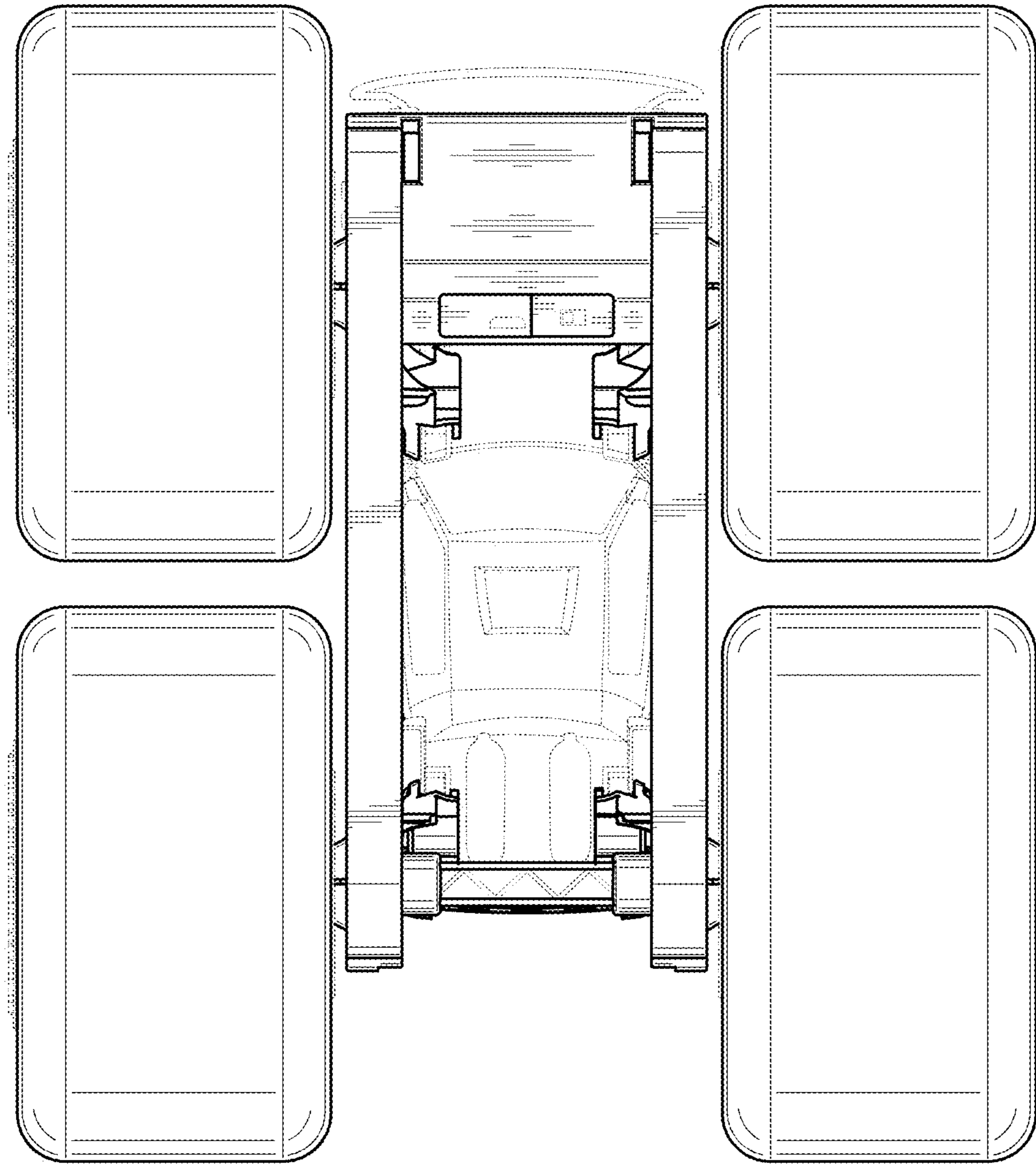


FIG. 8