



US00D923109S

(12) **United States Design Patent** (10) **Patent No.:** **US D923,109 S**  
**Fang** (45) **Date of Patent:** **\*\* Jun. 22, 2021**

(54) **BATH TOY**  
(71) Applicant: **Zhicheng Fang**, Shantou (CN)  
(72) Inventor: **Zhicheng Fang**, Shantou (CN)  
(\*\*) Term: **15 Years**  
(21) Appl. No.: **29/749,581**  
(22) Filed: **Sep. 8, 2020**  
(51) **LOC (13) Cl.** ..... **21-01**  
(52) **U.S. Cl.**  
USPC ..... **D21/473**; D23/222  
(58) **Field of Classification Search**  
USPC ..... D21/398, 407, 465, 468, 473, 475, 476,  
D21/572, 483, 493, 494, 526, 576, 578,  
D21/579, 584, 585, 594, 596, 597, 601,  
D21/606-609, 622, 623, 627, 630;  
D23/213, 215, 222, 223, 228, 304;  
446/89, 153, 166, 167, 176, 177, 227,  
446/296, 472, 475, 483; 4/567, 568, 570,  
4/615, 616; 239/211  
CPC ..... A63H 23/00; A63H 23/005; A63H 23/10;  
A63H 23/14; A63H 23/16; A63H  
33/3038; A63H 3/003  
See application file for complete search history.

D323,205 S \* 1/1992 Klose ..... D23/222  
D329,488 S \* 9/1992 Santagada ..... D23/213  
D352,092 S \* 11/1994 Warshawsky ..... D23/213  
5,385,472 A \* 1/1995 Mullin ..... G09B 23/12  
434/126  
D375,140 S \* 10/1996 Chan ..... D23/213  
5,865,378 A \* 2/1999 Hollinshead ..... F16L 11/18  
239/587.1  
D415,247 S \* 10/1999 Haverstraw ..... D23/213  
D417,706 S \* 12/1999 Yamazaki ..... D21/597  
D491,632 S \* 6/2004 Lin ..... D23/223  
(Continued)

FOREIGN PATENT DOCUMENTS

CN 303934679 \* 11/2016  
CN 304909196 \* 11/2018  
(Continued)

Primary Examiner — Catherine A Tuttle

(57) **CLAIM**

The ornamental design for a bath toy, as shown and described.

**DESCRIPTION**

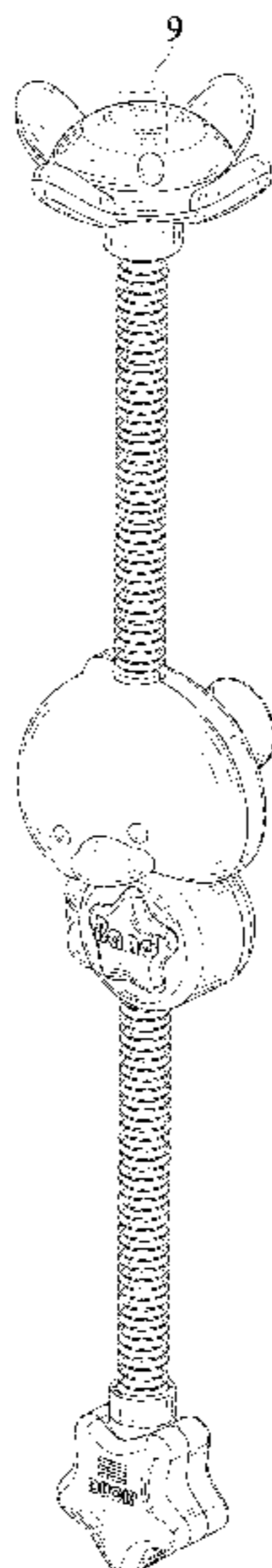
FIG. 1 is a front and top perspective view of a bath toy, showing my new design;  
FIG. 2 is a rear and bottom perspective view thereof;  
FIG. 3 is a front elevational view thereof;  
FIG. 4 is a rear elevational view thereof;  
FIG. 5 is a left side elevational view thereof;  
FIG. 6 is a right side elevational view thereof;  
FIG. 7 is a top plan view thereof;  
FIG. 8 is a bottom plan view thereof; and,  
FIG. 9 is an enlarged view of the portion indicated with numeric 9 in FIG. 1.  
The broken rectangle denoting the area of enlargement in FIG. 1 forms no part of the claimed design. The dashed broken lines in the figures illustrate portions of the article that form no part of the claimed design.

**1 Claim, 9 Drawing Sheets**

(56) **References Cited**

U.S. PATENT DOCUMENTS

D216,883 S \* 3/1970 Katzman et al. .... D23/215  
D217,485 S \* 5/1970 Kohner et al. .... D21/474  
3,577,675 A \* 5/1971 Kohner ..... A63H 23/10  
446/199  
D265,578 S \* 7/1982 Gillespie ..... D21/603  
4,413,362 A \* 11/1983 Chianco ..... E03C 1/06  
239/211  
4,951,329 A \* 8/1990 Shaw ..... A47K 3/001  
4/568  
D315,193 S \* 3/1991 Lach ..... D23/213  
D317,332 S \* 6/1991 Williams ..... D21/483



(56)

**References Cited**

U.S. PATENT DOCUMENTS

6,782,567 B1 \* 8/2004 Austin ..... A63H 23/10  
4/496  
D558,279 S 12/2007 Chen  
D565,808 S \* 4/2008 Kim ..... D21/606  
D639,383 S \* 6/2011 Holbrook ..... D23/213  
D739,253 S \* 9/2015 Davidovici ..... D9/604  
9,522,338 B1 \* 12/2016 Park ..... A63G 31/007  
D796,587 S \* 9/2017 Weisman ..... D21/473  
D810,206 S \* 2/2018 Weisman ..... D21/473  
D866,680 S \* 11/2019 Weisman ..... D21/473  
2009/0000022 A1 \* 1/2009 Phipps ..... E03C 1/0408  
4/601

FOREIGN PATENT DOCUMENTS

CN 305486349 \* 12/2019  
CN 305751728 \* 5/2020  
CN 305897434 \* 7/2020  
CN 305939848 \* 7/2020  
CN 306034041 \* 9/2020  
KR 300957969.0000 \* 5/2018  
WO WO-2016038619 A2 \* 3/2016 ..... A63H 23/10

\* cited by examiner

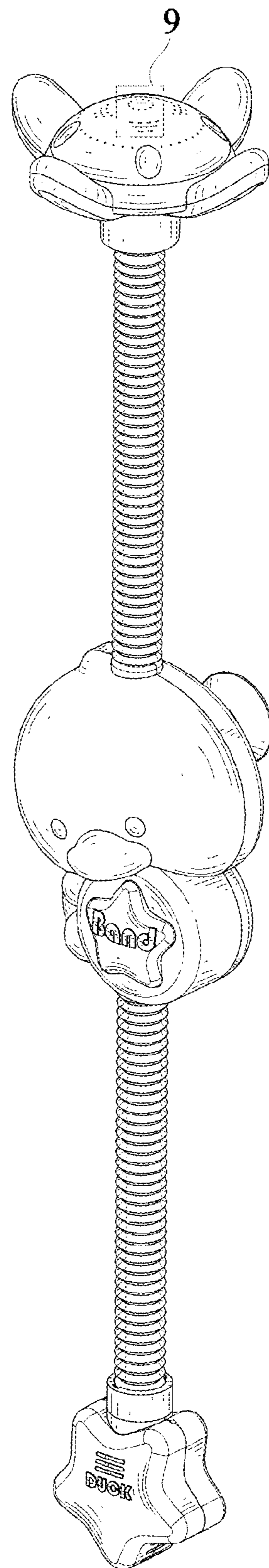


FIG. 1

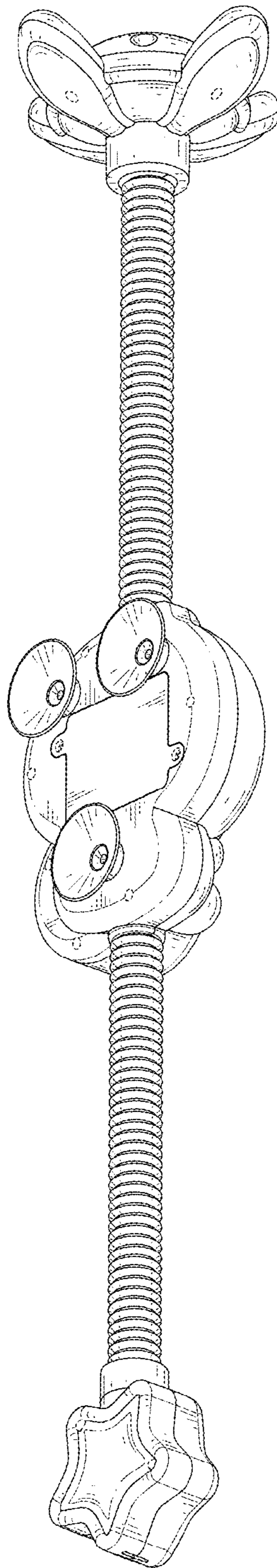


FIG. 2

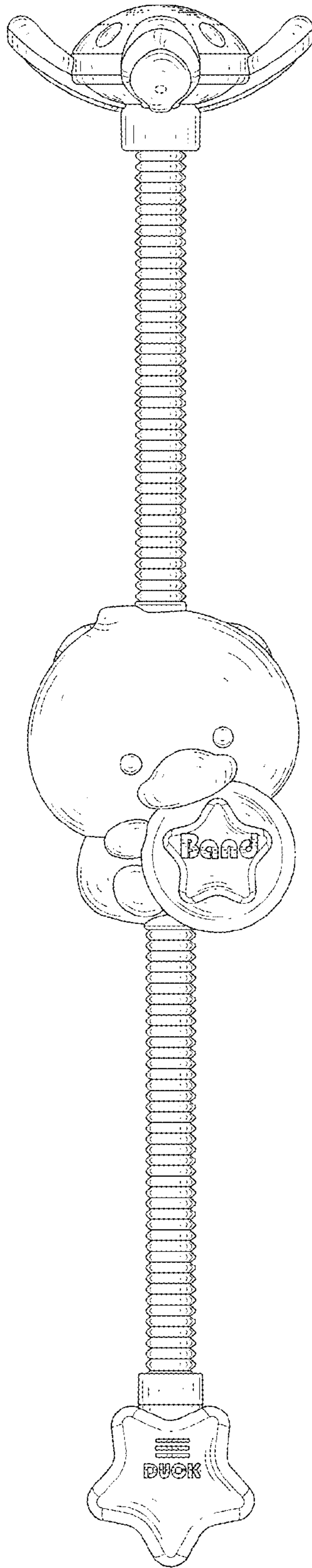


FIG. 3

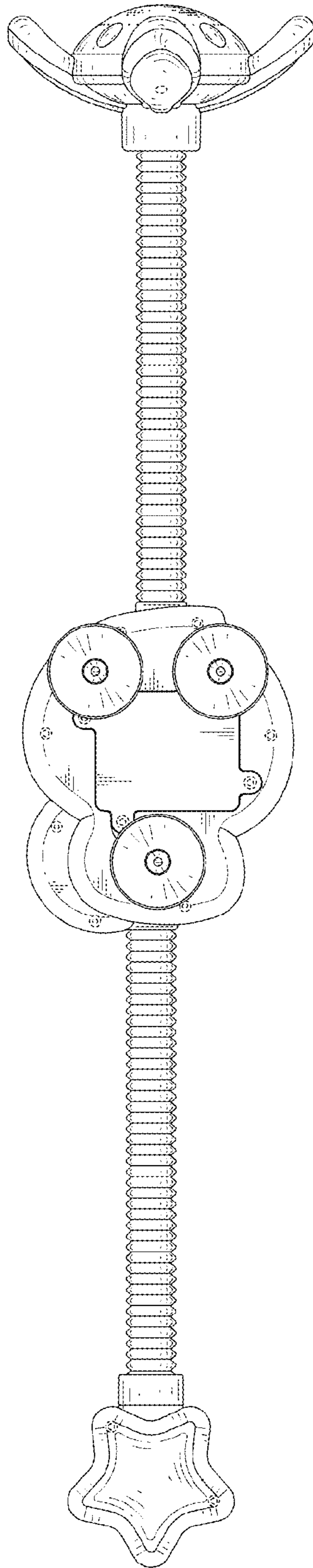


FIG. 4

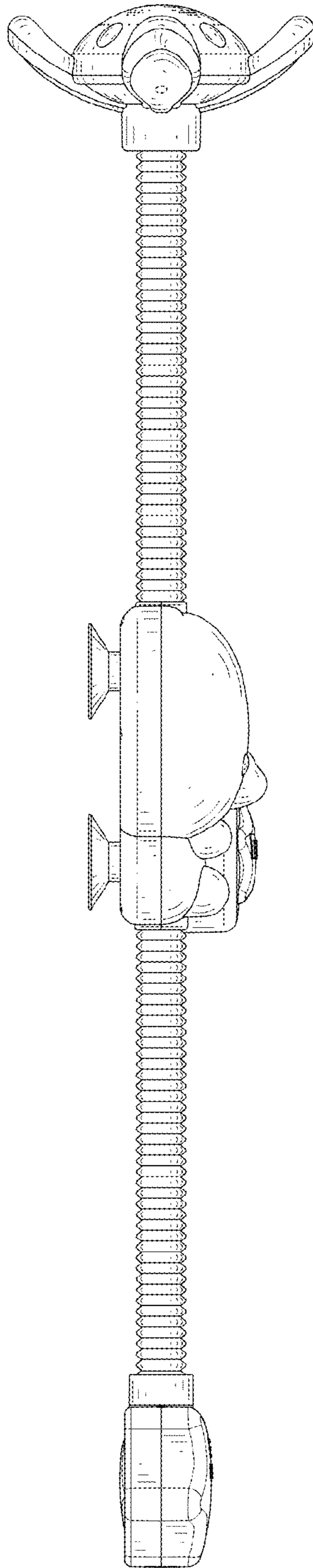


FIG. 5

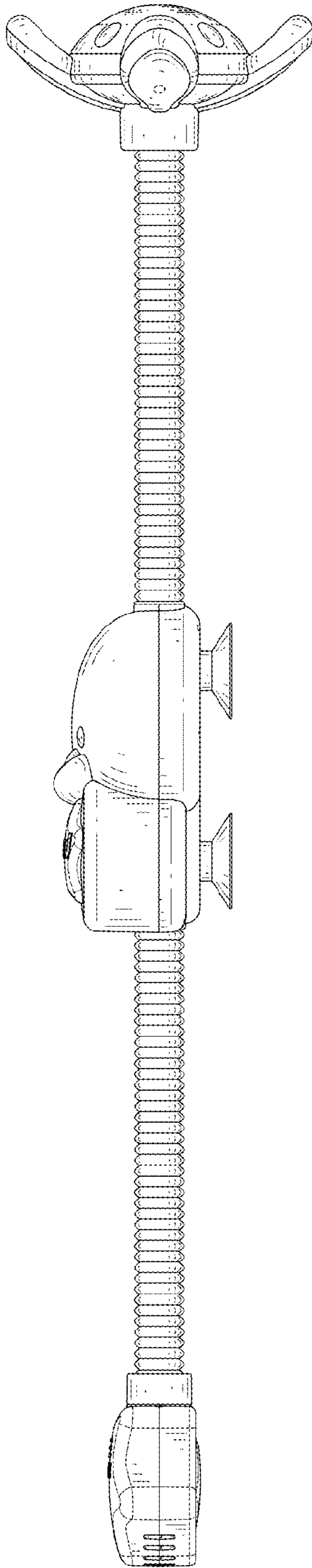


FIG. 6



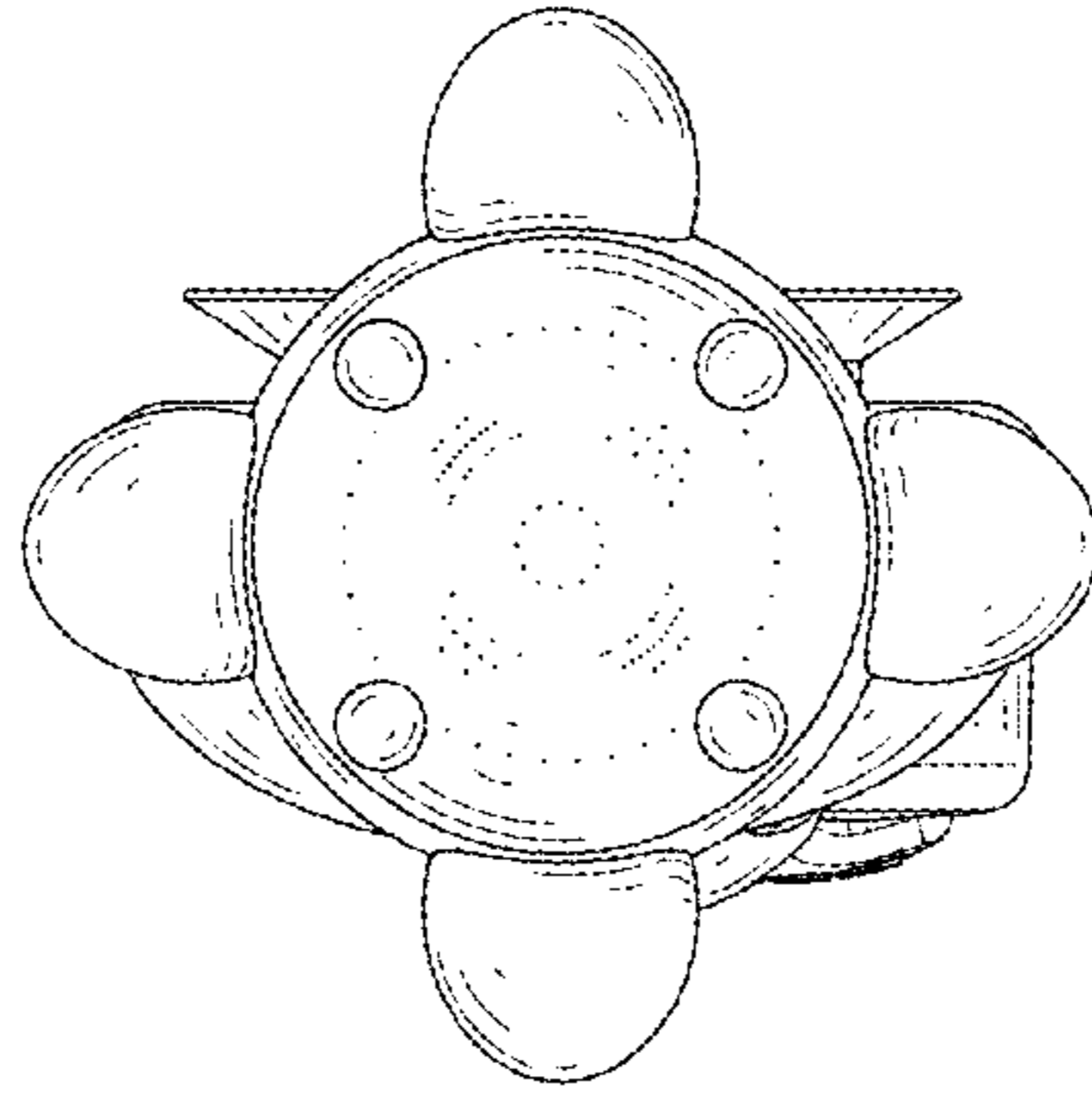


FIG. 7

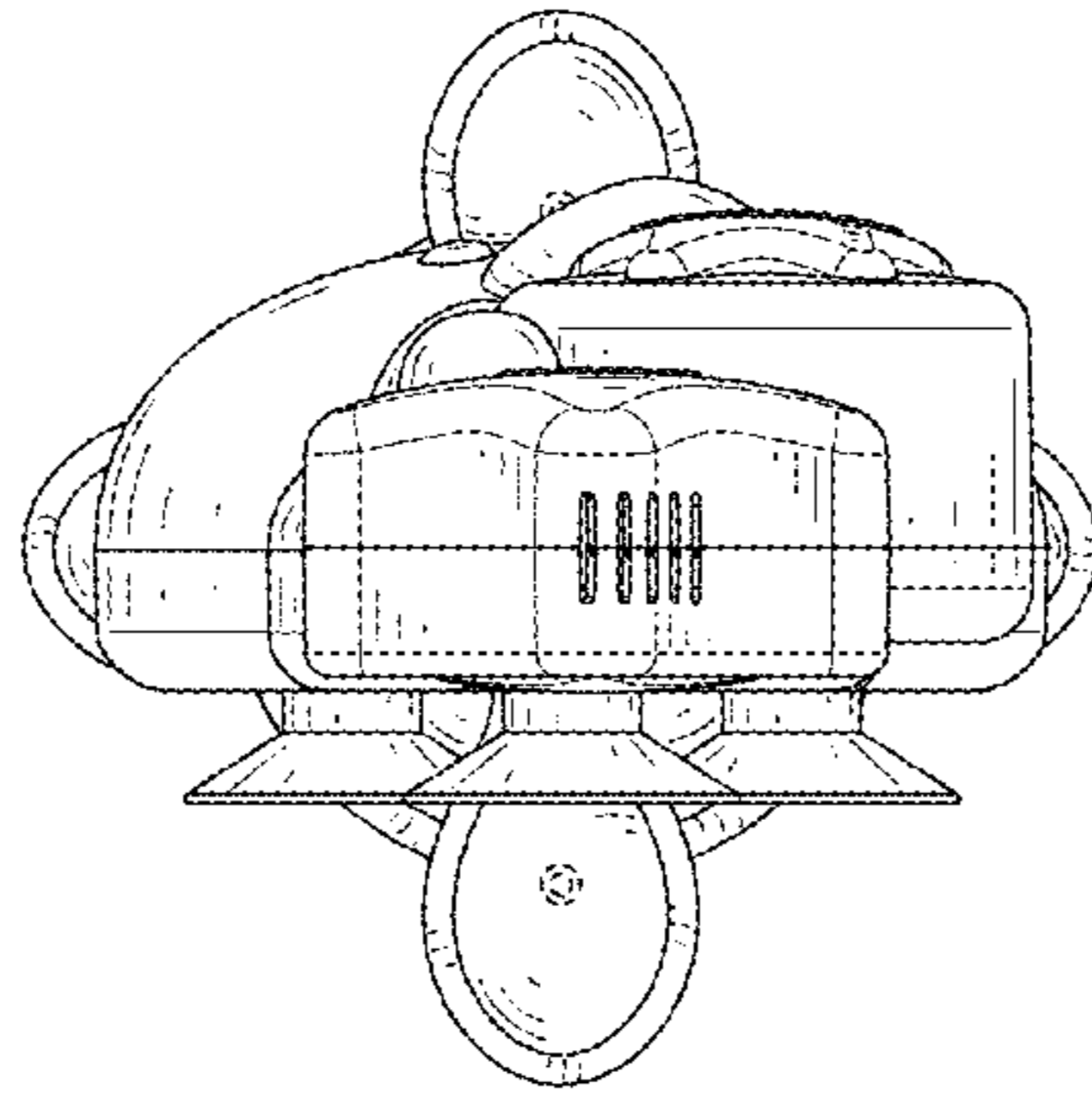


FIG. 8

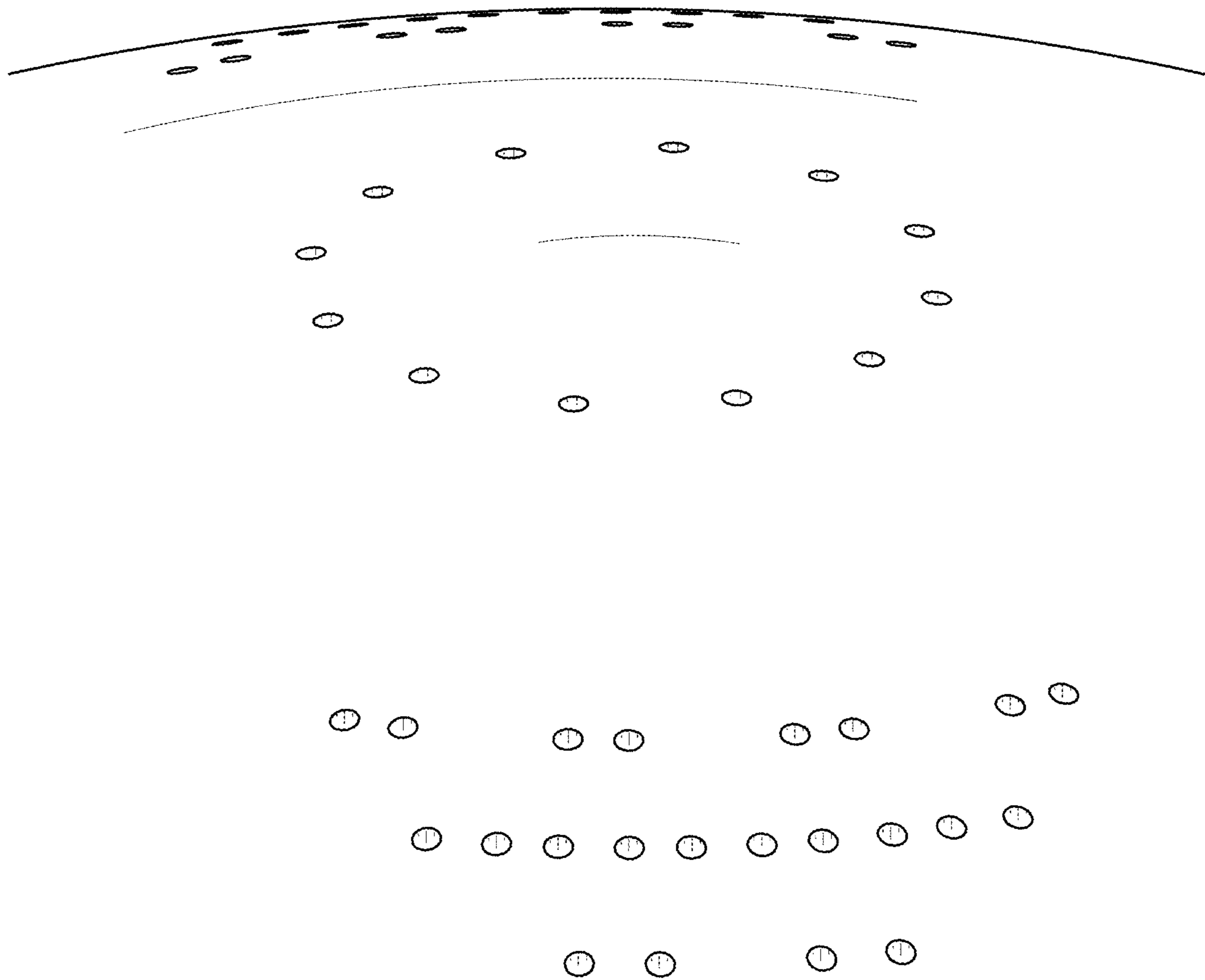


FIG. 9