



US00D923106S

(12) **United States Design Patent**
Li et al.

(10) **Patent No.:** **US D923,106 S**
(45) **Date of Patent:** **** Jun. 22, 2021**

- (54) **TOY AEROPLANE**
- (71) Applicants: **Bin Li**, Guangdong (CN); **Feifei Wang**, Hubei (CN)
- (72) Inventors: **Bin Li**, Guangdong (CN); **Feifei Wang**, Hubei (CN)
- (**) Term: **15 Years**
- (21) Appl. No.: **29/748,048**
- (22) Filed: **Aug. 27, 2020**
- (51) **LOC (13) Cl.** **21-01**
- (52) **U.S. Cl.**
USPC **D21/430**
- (58) **Field of Classification Search**
USPC D12/1, 2, 3, 4, 16.1, 174, 319, 324, 326,
D12/342, 343; D21/430, 447, 448, 449,
D21/452; 244/118.5, 119
CPC B64C 29/0033; B64C 2201/021; B64C
29/02; B64C 2201/088; B64C 2201/104;
B64C 2201/141
See application file for complete search history.

RE46,320 E * 2/2017 Fujino D12/319
D837,897 S * 1/2019 Mayson D21/430
2014/0099861 A1 * 4/2014 Mayson A63H 17/36
446/468

OTHER PUBLICATIONS

Tuko Transport Cargo Airplane Car Toy Play Set [“First available date”/Amazon—Dec. 25, 2019] found online [Oct. 14, 2020]—<https://www.amazon.sg/Tuko-Transport-Cargo-Airplane-Years/dp/B085SWNBC3>.*

* cited by examiner

Primary Examiner — John A Voytek

(57) **CLAIM**

The ornamental design for a toy aeroplane, as shown and described.

DESCRIPTION

FIG. 1 is a front and top perspective view of a toy aeroplane, showing my new design;
 FIG. 2 is a rear and bottom perspective view thereof;
 FIG. 3 is a front elevational view thereof;
 FIG. 4 is a rear elevational view thereof;
 FIG. 5 is a left side elevational view thereof;
 FIG. 6 is a right side elevational view thereof;
 FIG. 7 is a top plan view thereof;
 FIG. 8 is a bottom plan view thereof;
 FIG. 9 is an enlarged view of a portion labeled, ‘FIG. 9’ in FIG. 1; and,
 FIG. 10 is a perspective view thereof, showing the toy aeroplane in an open position.
 The dashed broken lines in the figures illustrate portions of the article that form no part of the claimed design. The dash dot dash lines in FIGS. 1 and 9 are for the purpose of depicting the cut line of the enlarged view and form no part of the claim.

(56) **References Cited**

U.S. PATENT DOCUMENTS

D225,248 S *	11/1972	Ostrander	D21/448
D233,621 S *	11/1974	Campbell	D21/430
4,273,305 A *	6/1981	Hinds	B64G 1/14 244/172.5
D261,286 S *	10/1981	Breneman	D21/448
D293,806 S *	1/1988	Shibukawa	D21/582
D299,231 S *	1/1989	Yeung	D14/143
D312,667 S *	12/1990	Visco	D21/448
D405,750 S *	2/1999	Clapp	D12/319
D449,658 S *	10/2001	Ma	D21/448
D504,862 S *	5/2005	Seidel	D12/319
D543,494 S *	5/2007	Hall	D12/319
D588,807 S *	3/2009	Azman	D19/80
D632,345 S	2/2011	Yuen	

1 Claim, 10 Drawing Sheets

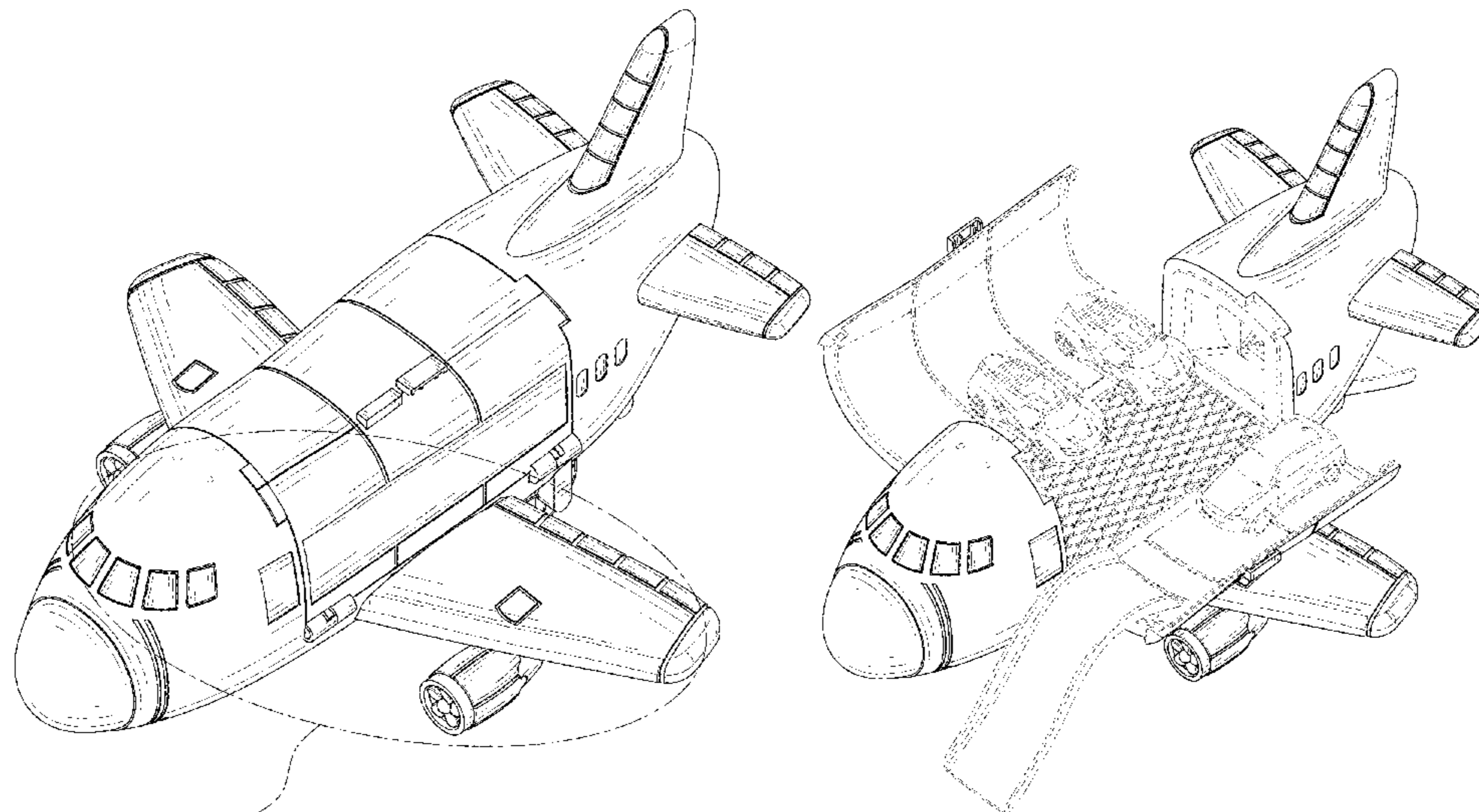


FIG. 9

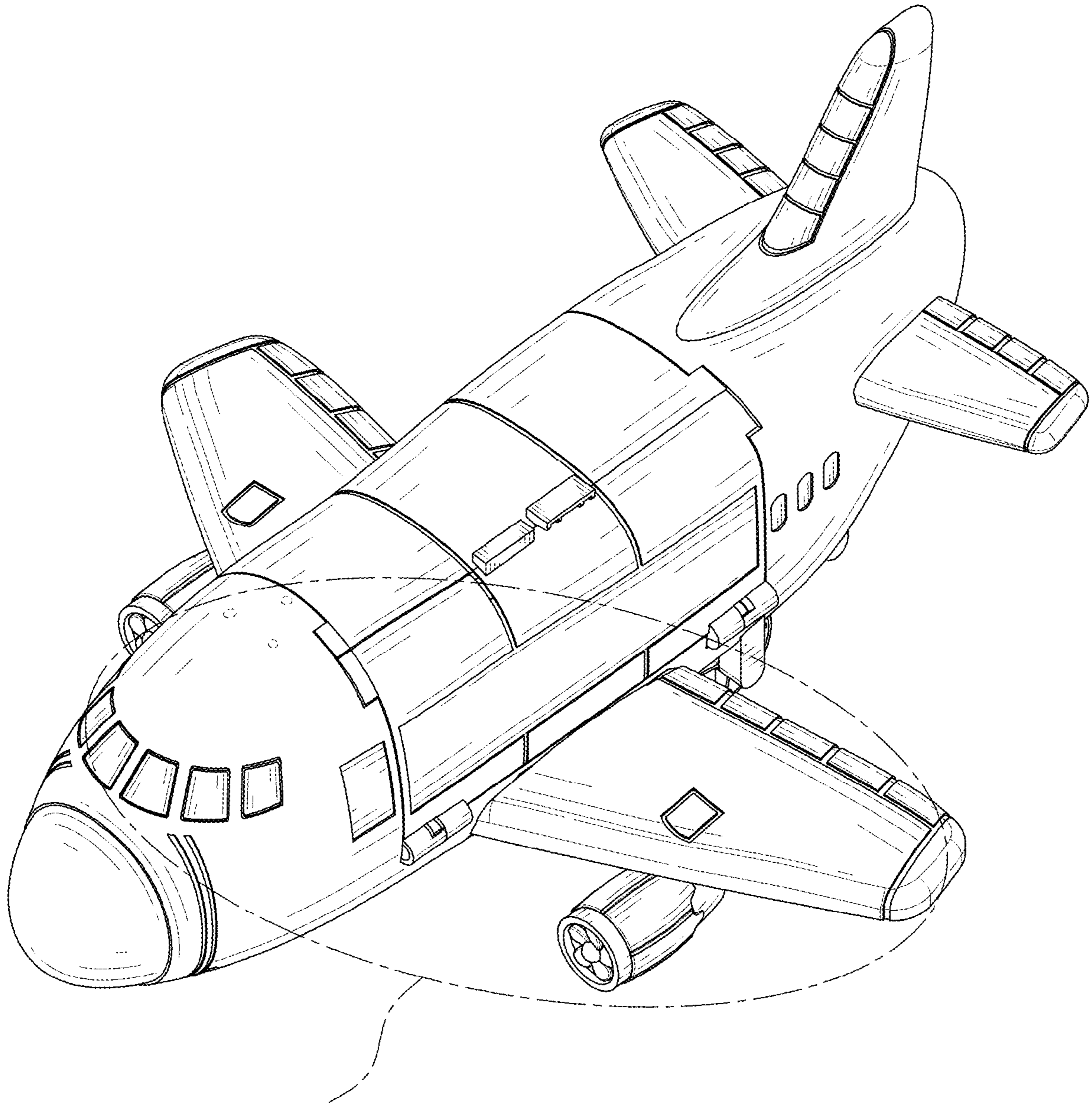


FIG. 9

FIG. 1

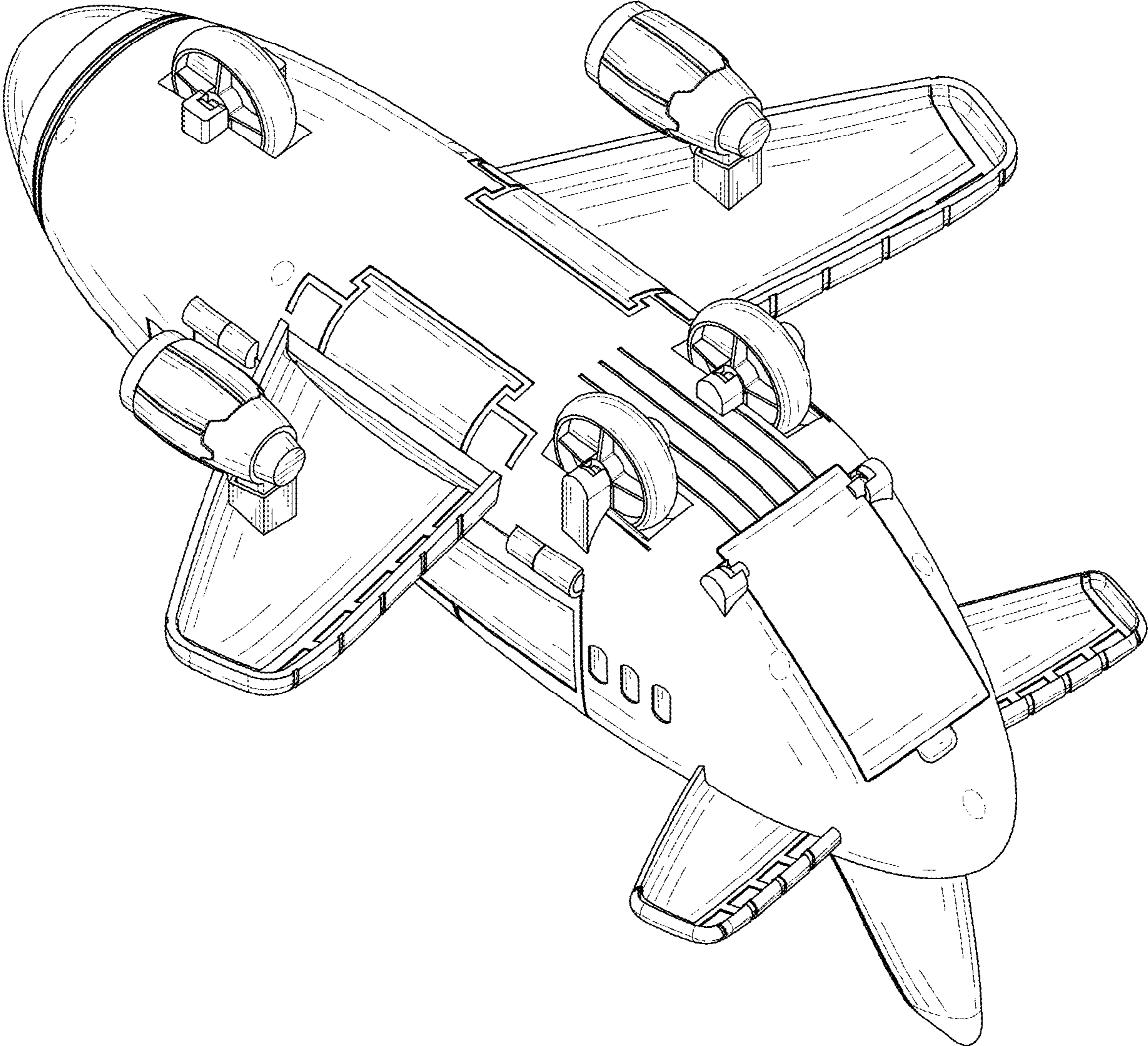


FIG. 2

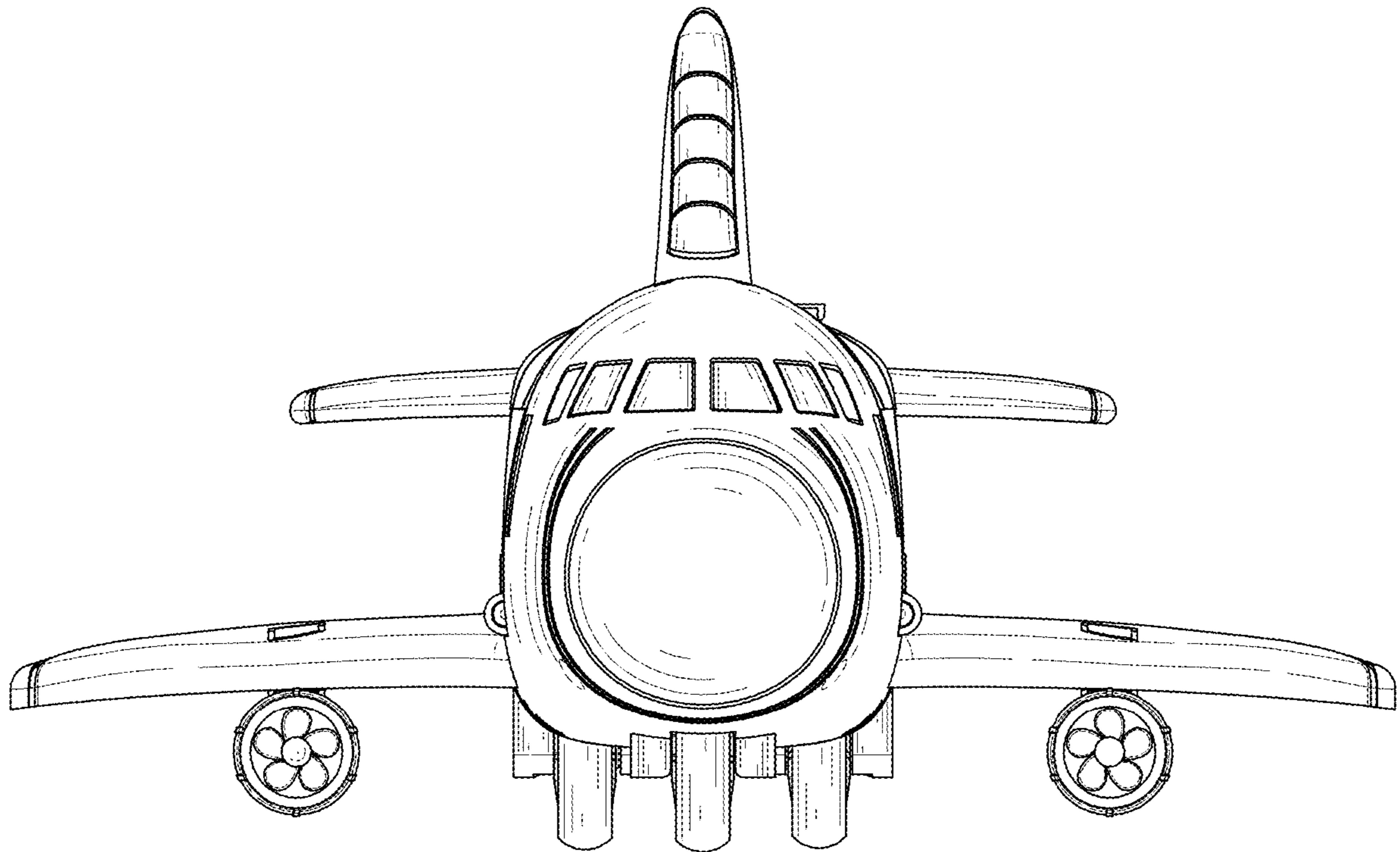


FIG. 3

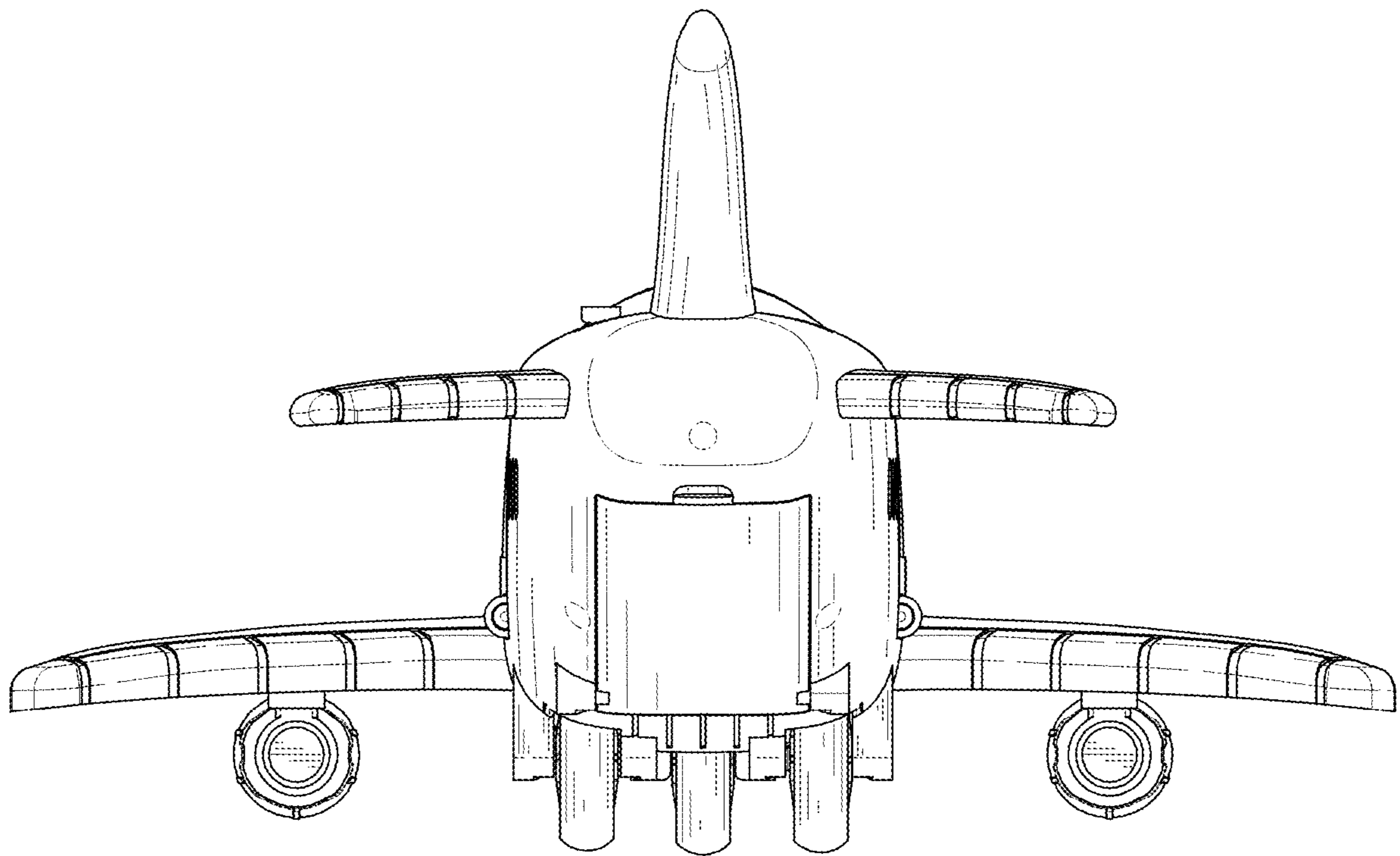


FIG. 4

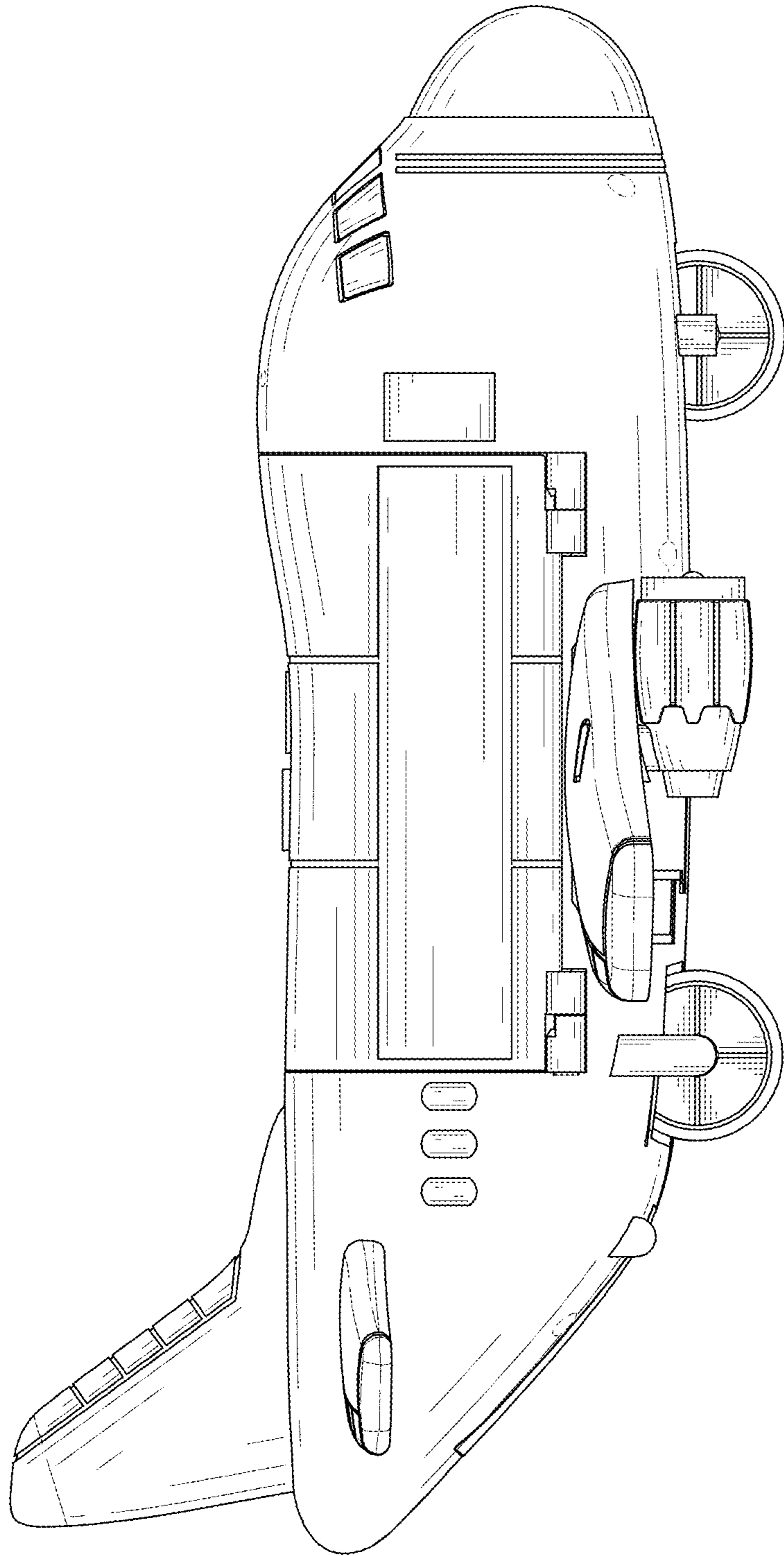


FIG. 5

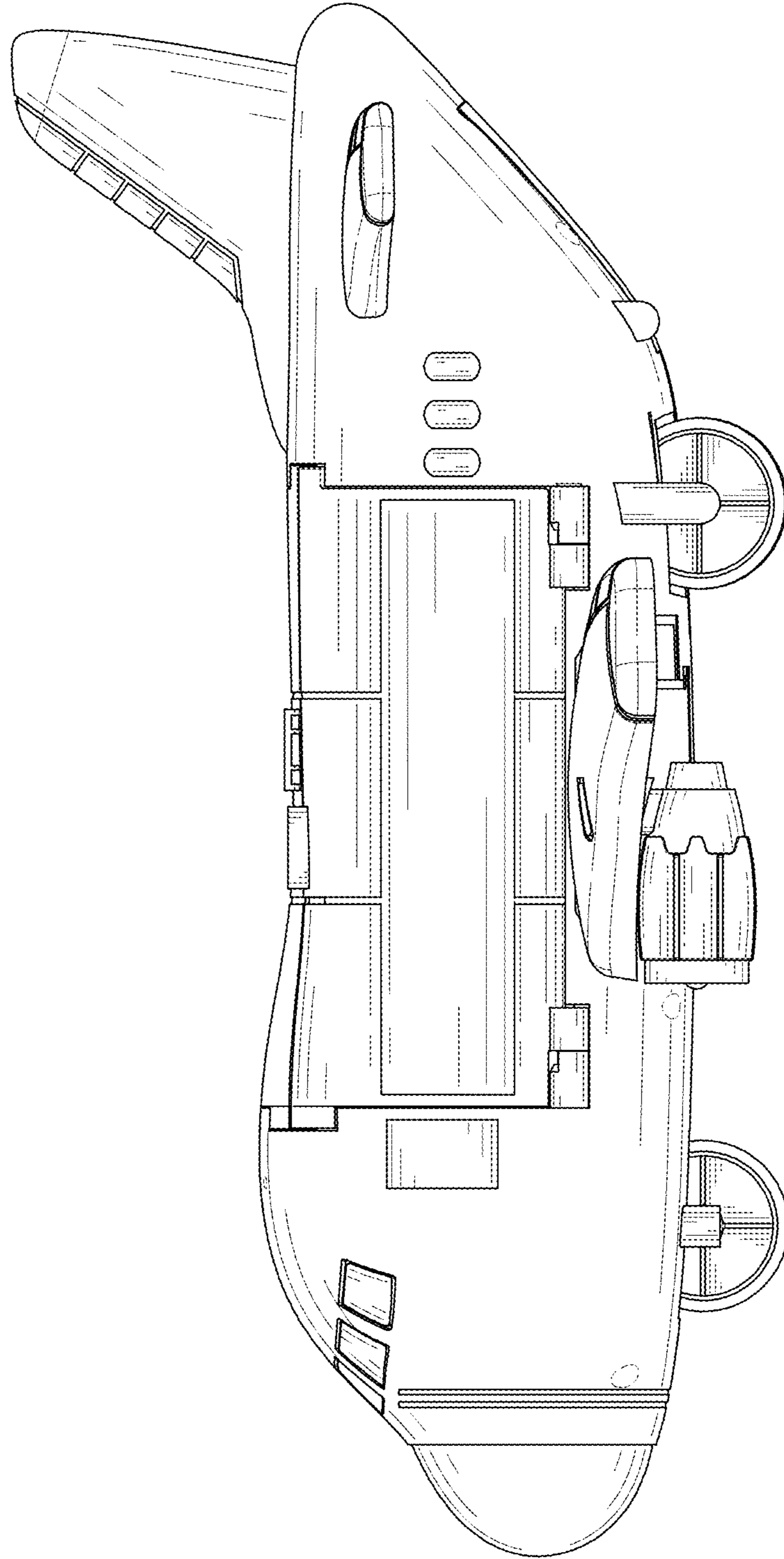


FIG. 6

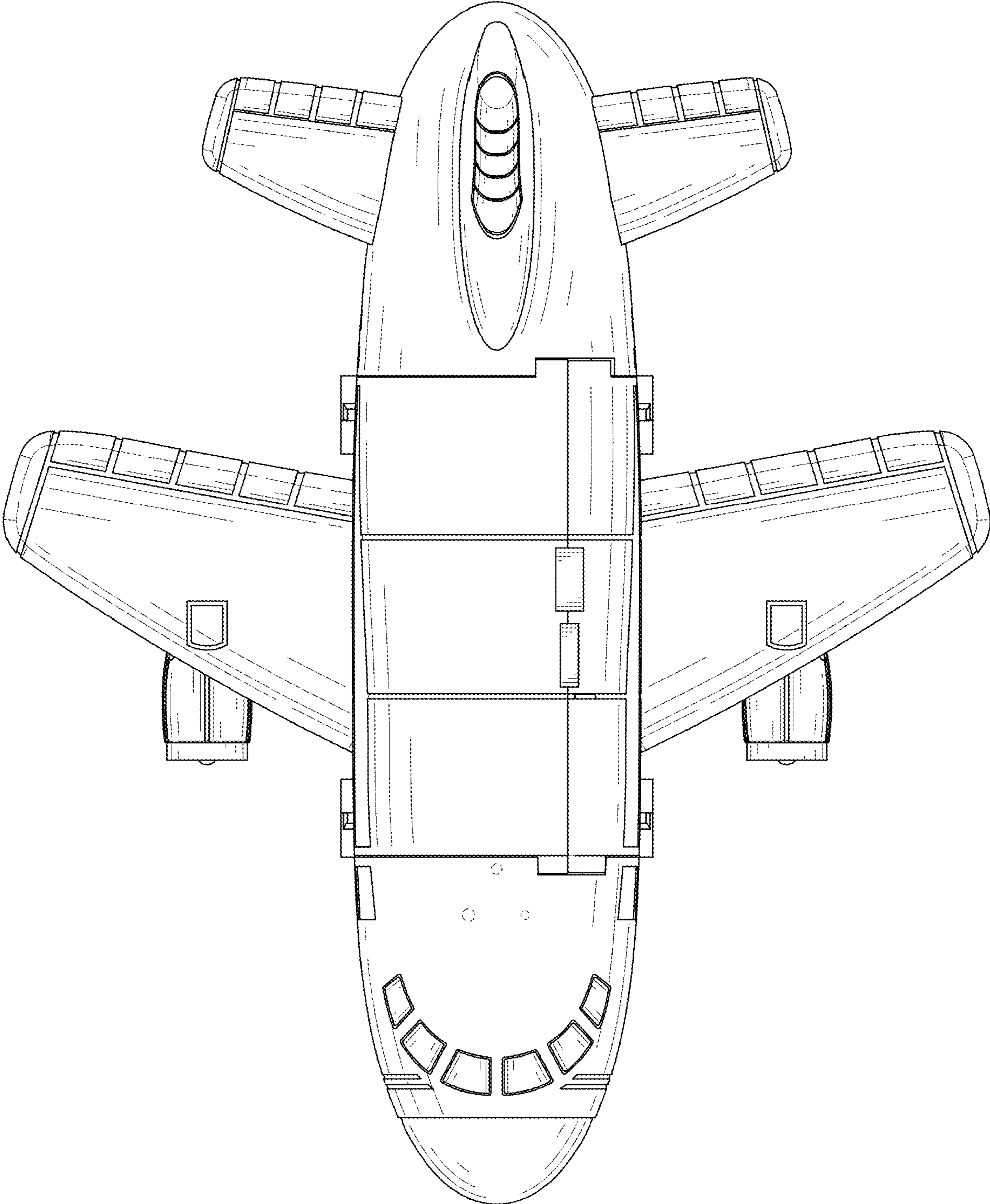


FIG. 7

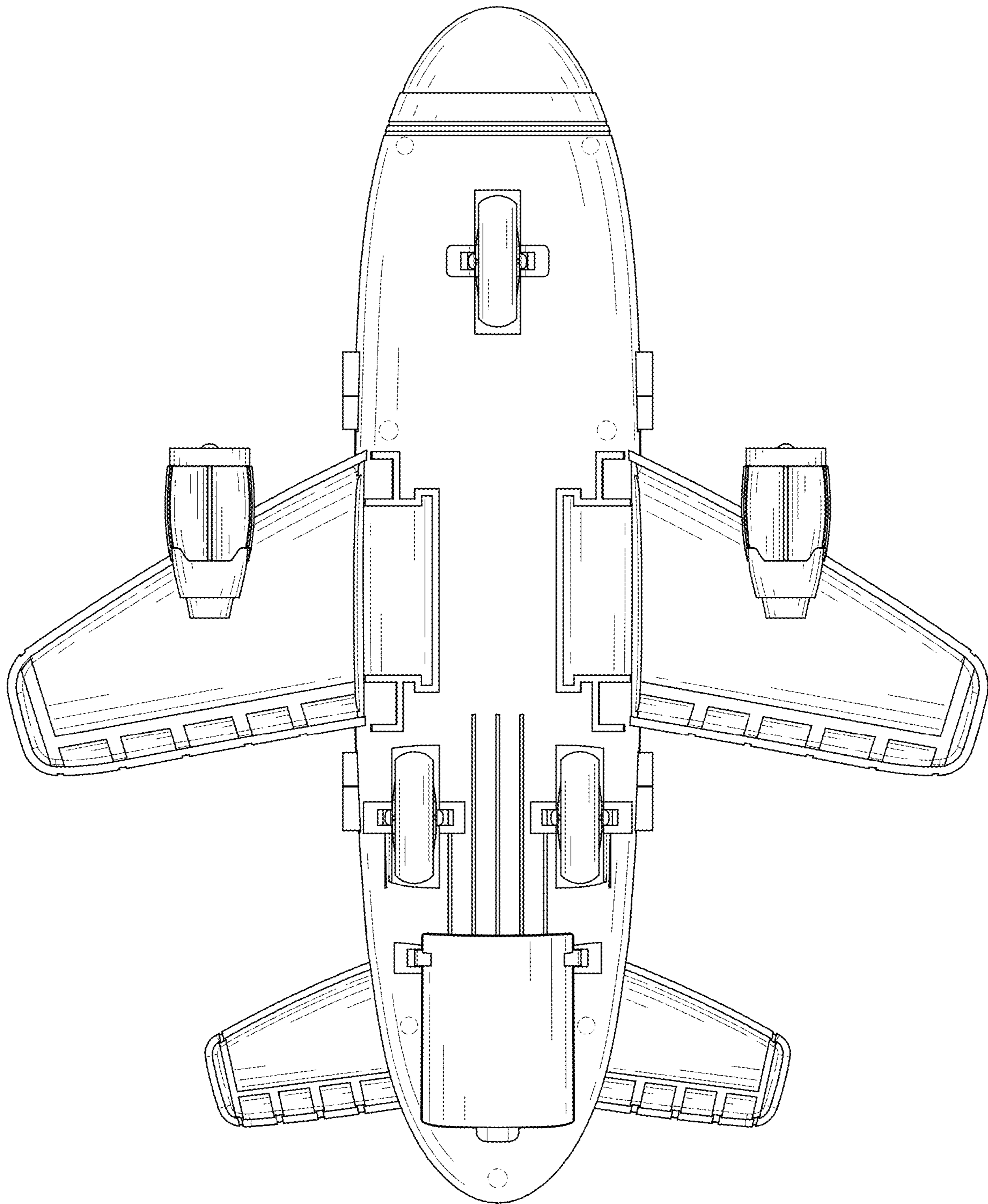


FIG. 8

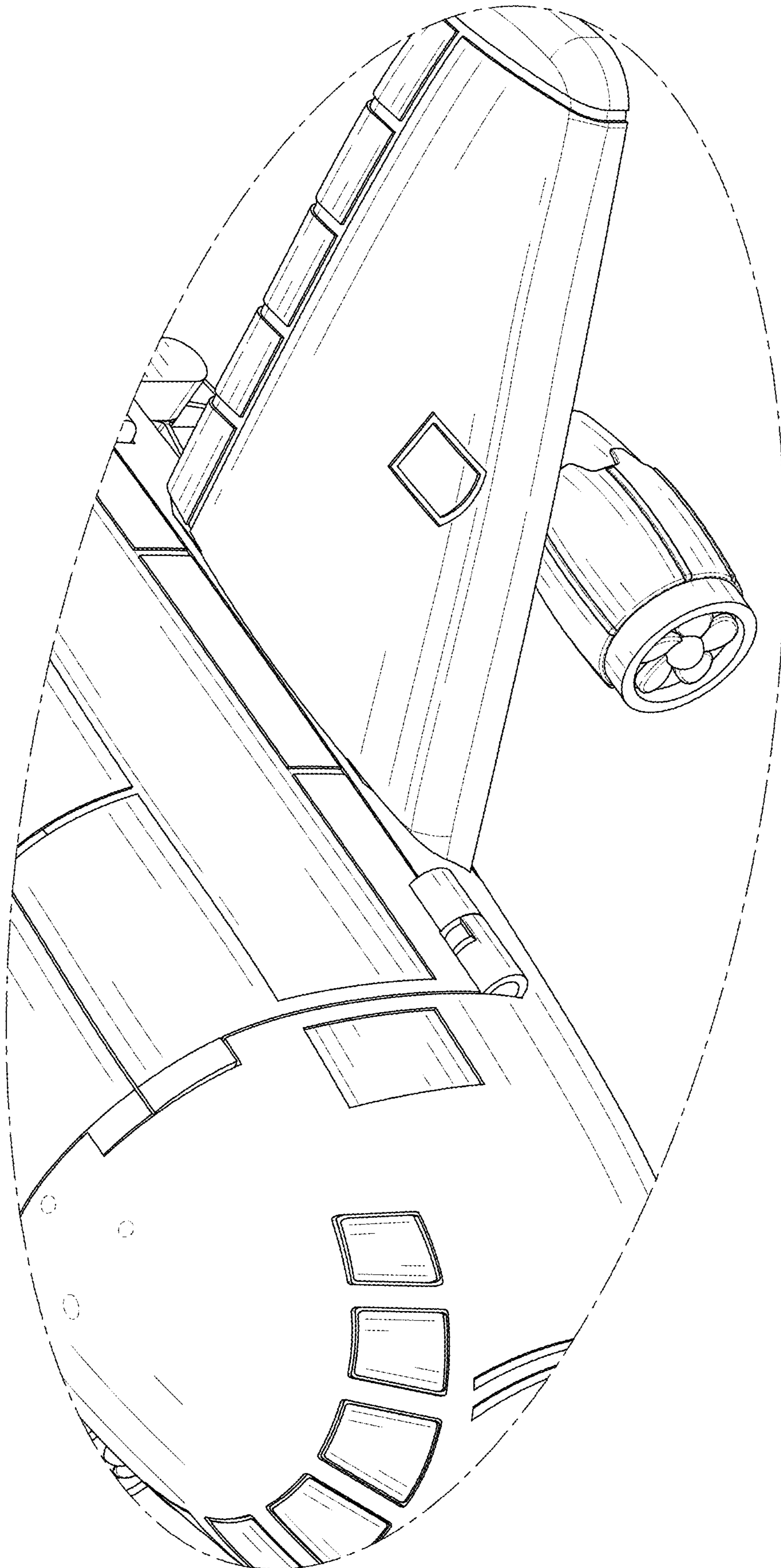


FIG. 9

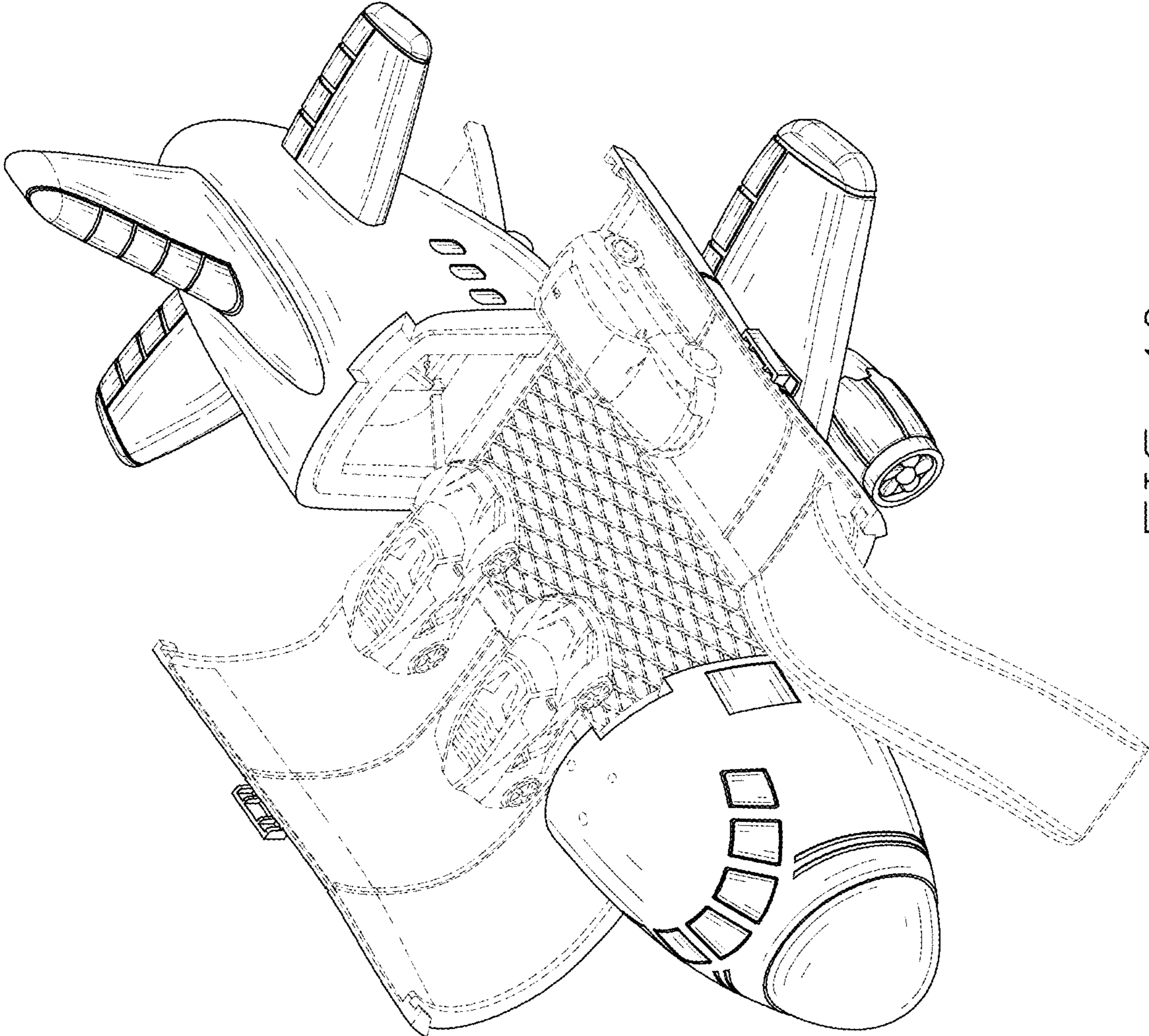


FIG. 10