



US00D923104S

(12) **United States Design Patent**
Zheng

(10) **Patent No.:** **US D923,104 S**

(45) **Date of Patent:** **** Jun. 22, 2021**

(54) **ELECTRIC SCOOTER**

2020/0283086 A1* 9/2020 Ulmen B62M 6/65

* cited by examiner

(71) Applicant: **Haiyi New Energy (Yangzhou) Co., Ltd.**, Jiangsu (CN)

Primary Examiner — Cynthia M. Chin

(72) Inventor: **Bin Zheng**, Jiangsu (CN)

(74) *Attorney, Agent, or Firm* — Prakash Nama; Global IP Services, PLLC

(**) Term: **15 Years**

(57) **CLAIM**

The ornamental design for an electric scooter, as shown and described.

(21) Appl. No.: **29/718,817**

DESCRIPTION

(22) Filed: **Dec. 30, 2019**

(51) **LOC (13) Cl.** **21-01**

(52) **U.S. Cl.**

USPC **D21/423**

(58) **Field of Classification Search**

USPC D21/419, 421, 423, 432, 435, 760, 763, D21/765, 771; D12/1, 110

CPC B62K 3/002; B62K 9/00; B62K 2202/00; B62K 15/00; B62K 2015/001; B62K 2015/003; B60Y 2200/126

See application file for complete search history.

FIG. 1 is a perspective view of an electric scooter, showing my new design;

FIG. 2 is a second perspective view thereof;

FIG. 3 is a third perspective view thereof;

FIG. 4 is a front elevational view thereof;

FIG. 5 is a rear elevational view thereof;

FIG. 6 is a left side view thereof;

FIG. 7 is a right side view thereof;

FIG. 8 is a top plan view thereof;

FIG. 9 is a bottom plan view thereof;

FIG. 10 is an enlarged partial view of the handlebar area taken from the top of FIG. 1;

FIG. 11 is an enlarged partial view of the front wheel area taken from the left of FIG. 1; and,

FIG. 12 is an enlarged partial view of the rear wheel area taken from the right of FIG. 1.

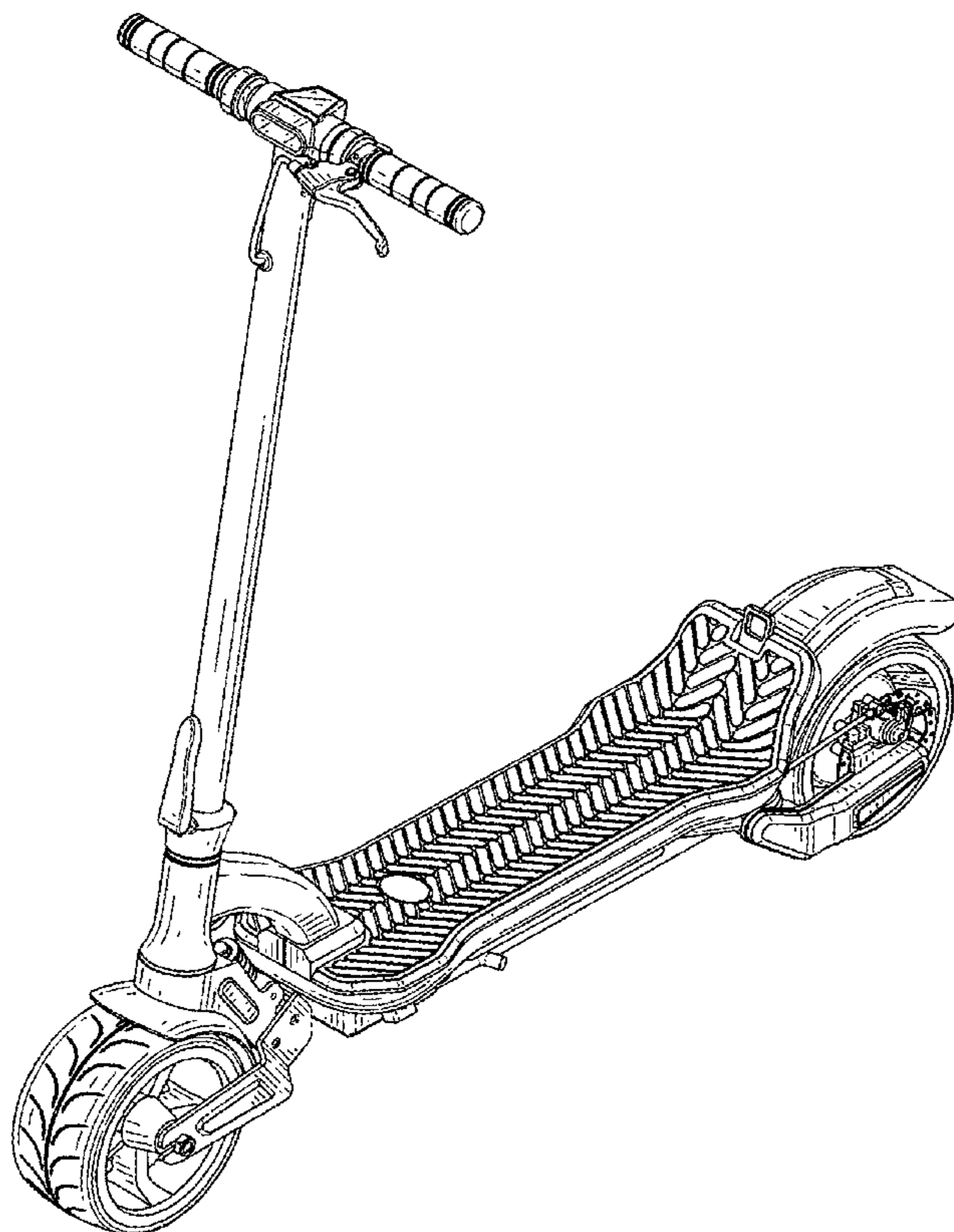
The dash-dot broken lines represent the boundaries of the enlarged partial views of FIGS. 10-12 and all other broken lines represent portions of the article that form no part of the claimed design. None of the broken lines form a part of the claim.

(56) **References Cited**

U.S. PATENT DOCUMENTS

D686,674 S *	7/2013	Hadley	D21/423
D727,833 S *	4/2015	Talios	D12/423
D777,844 S *	1/2017	O Connell	D21/423
D839,358 S *	1/2019	Cao	D21/423
D877,257 S *	3/2020	Cao	D21/423
D877,258 S *	3/2020	Cao	D21/423
D903,002 S *	11/2020	Wang	D21/423

1 Claim, 12 Drawing Sheets



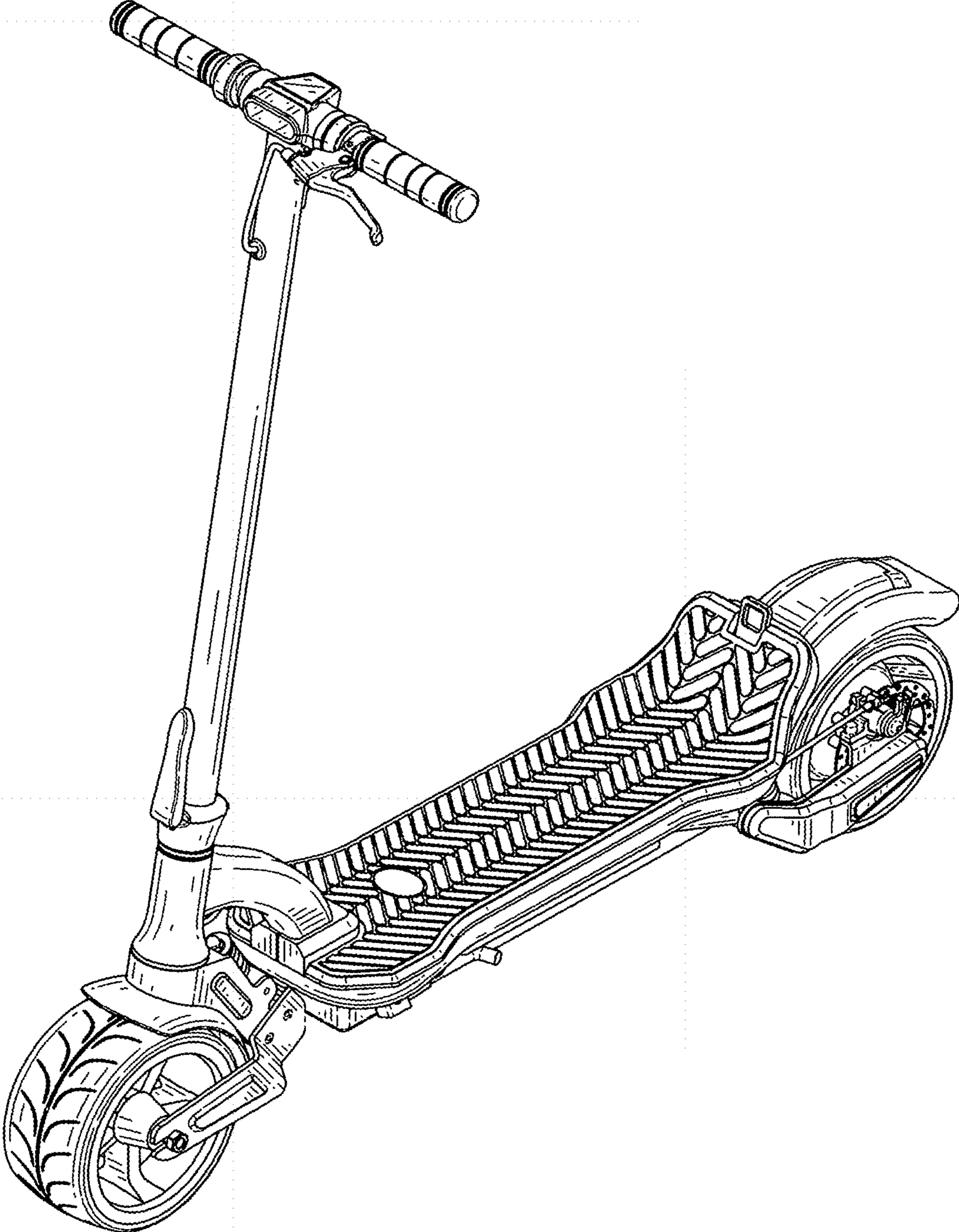


FIG. 1

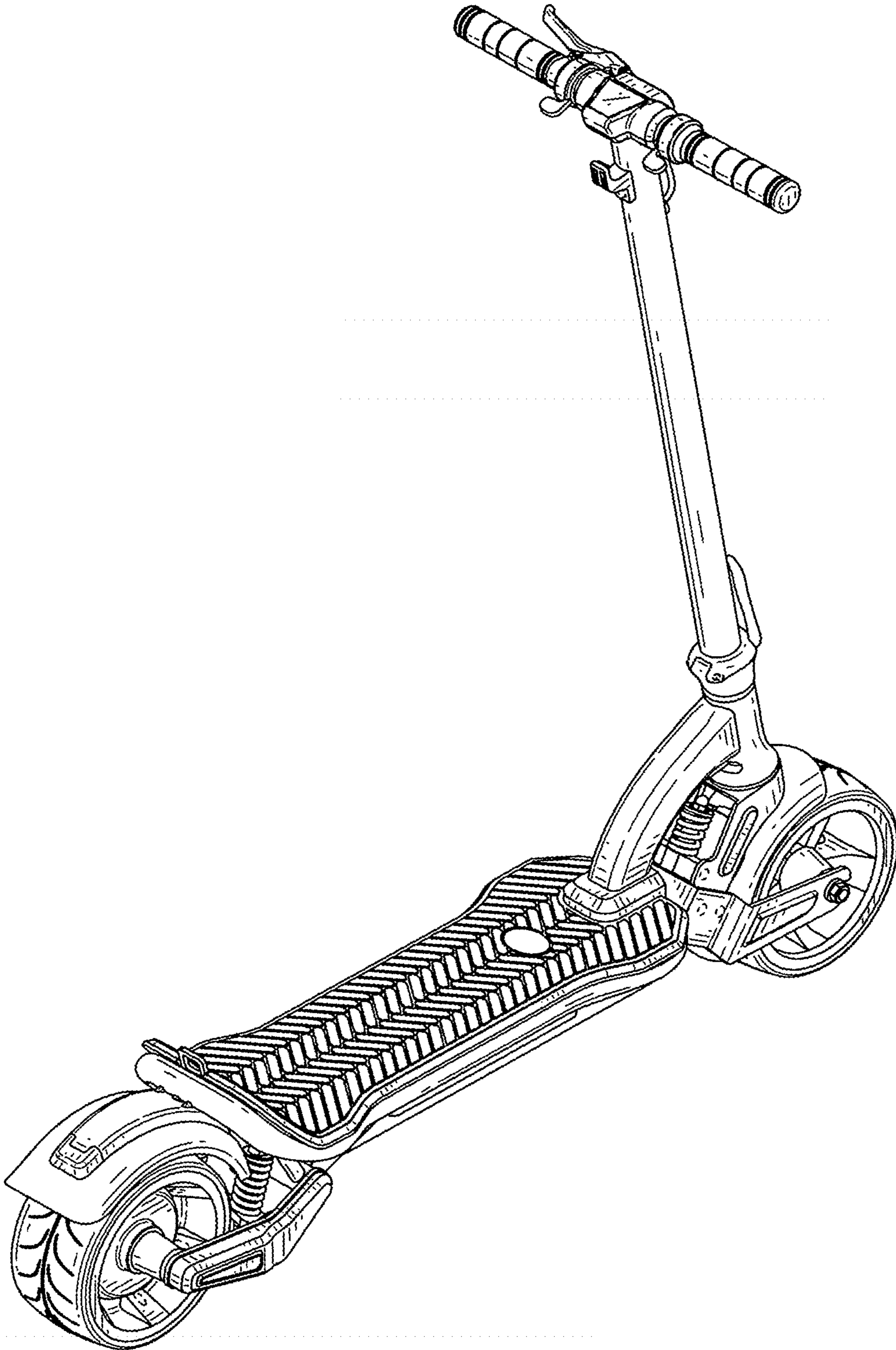


FIG. 2

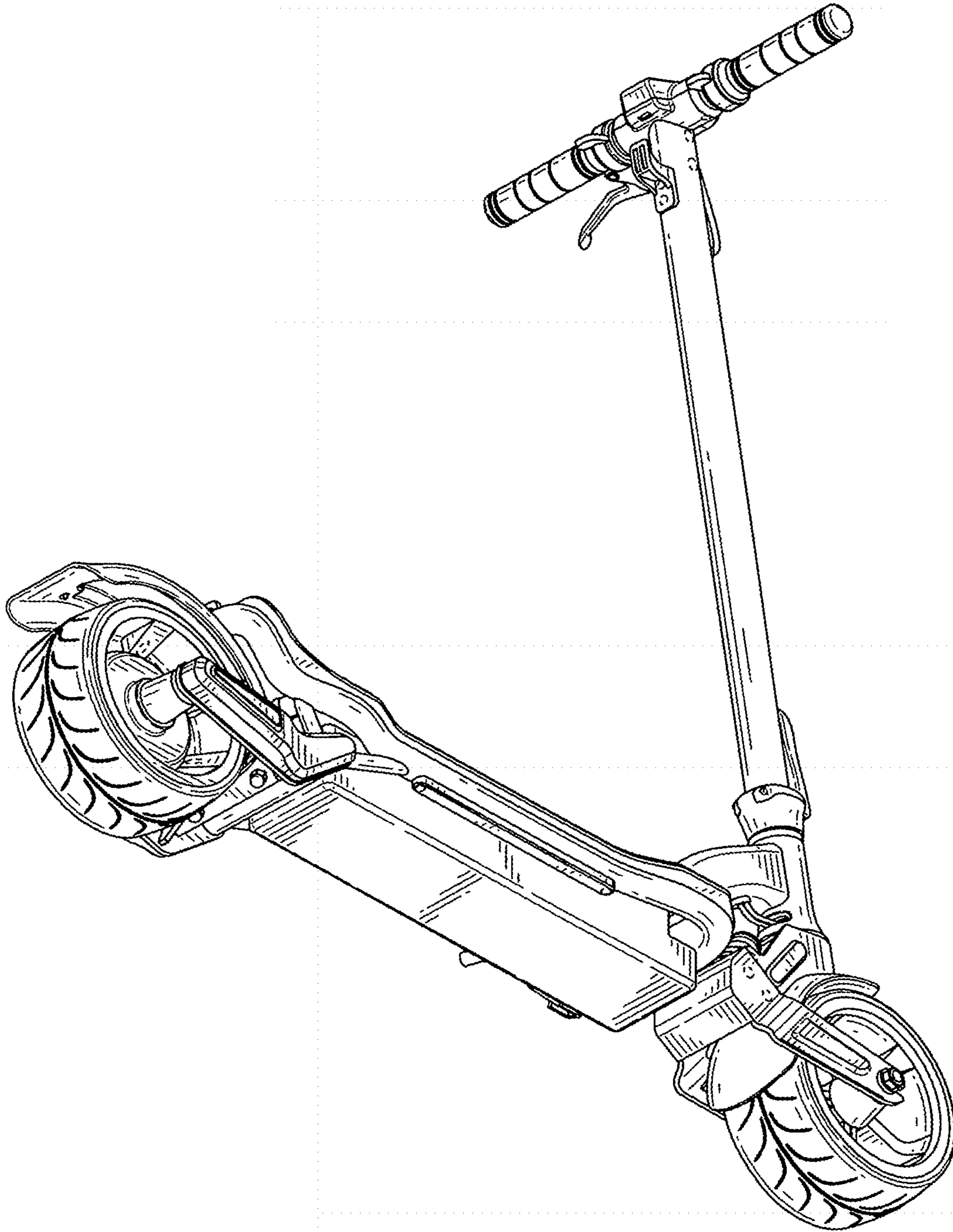


FIG. 3

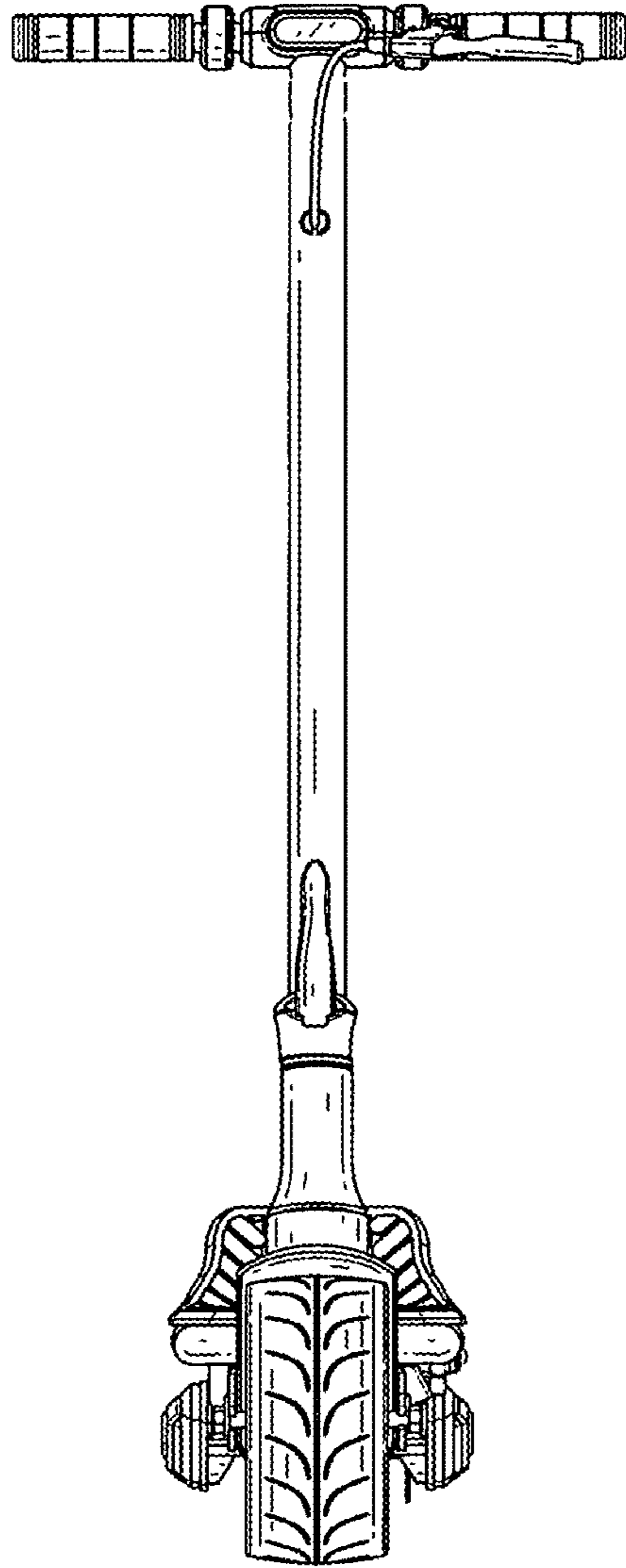


FIG. 4

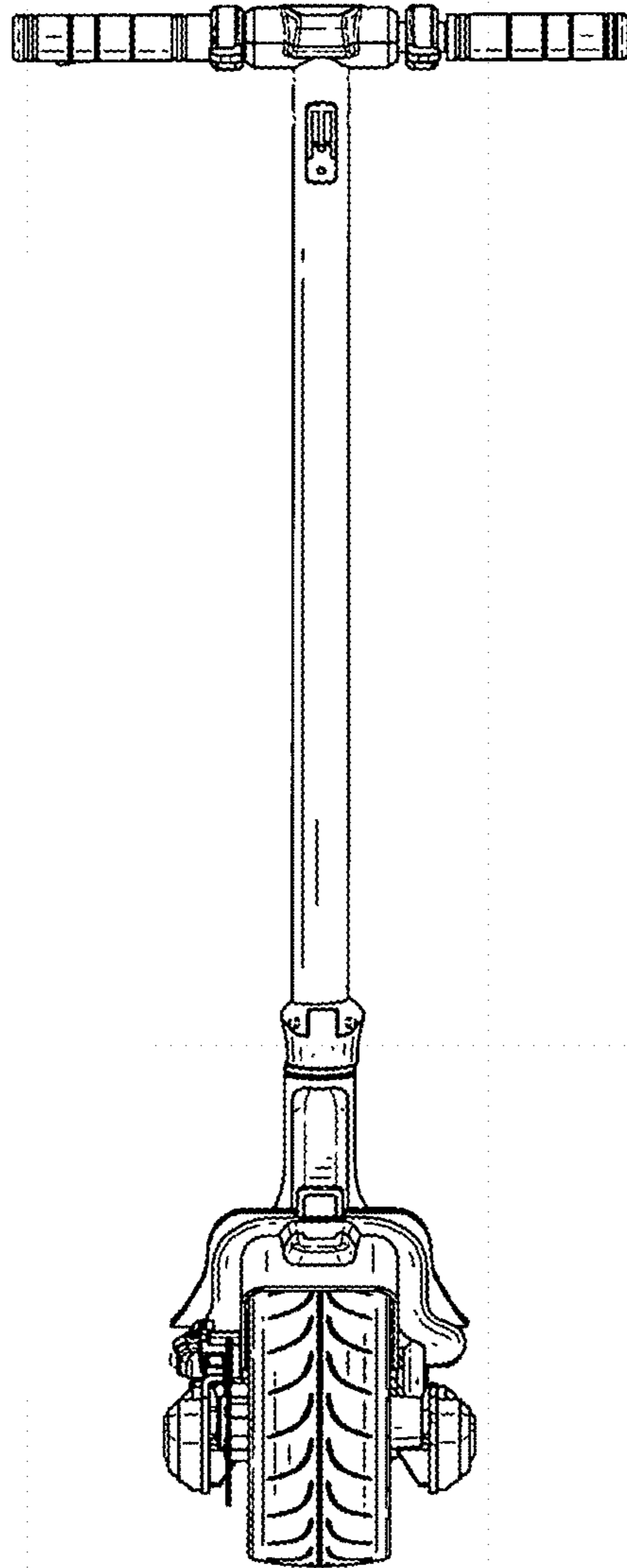


FIG. 5



FIG. 6

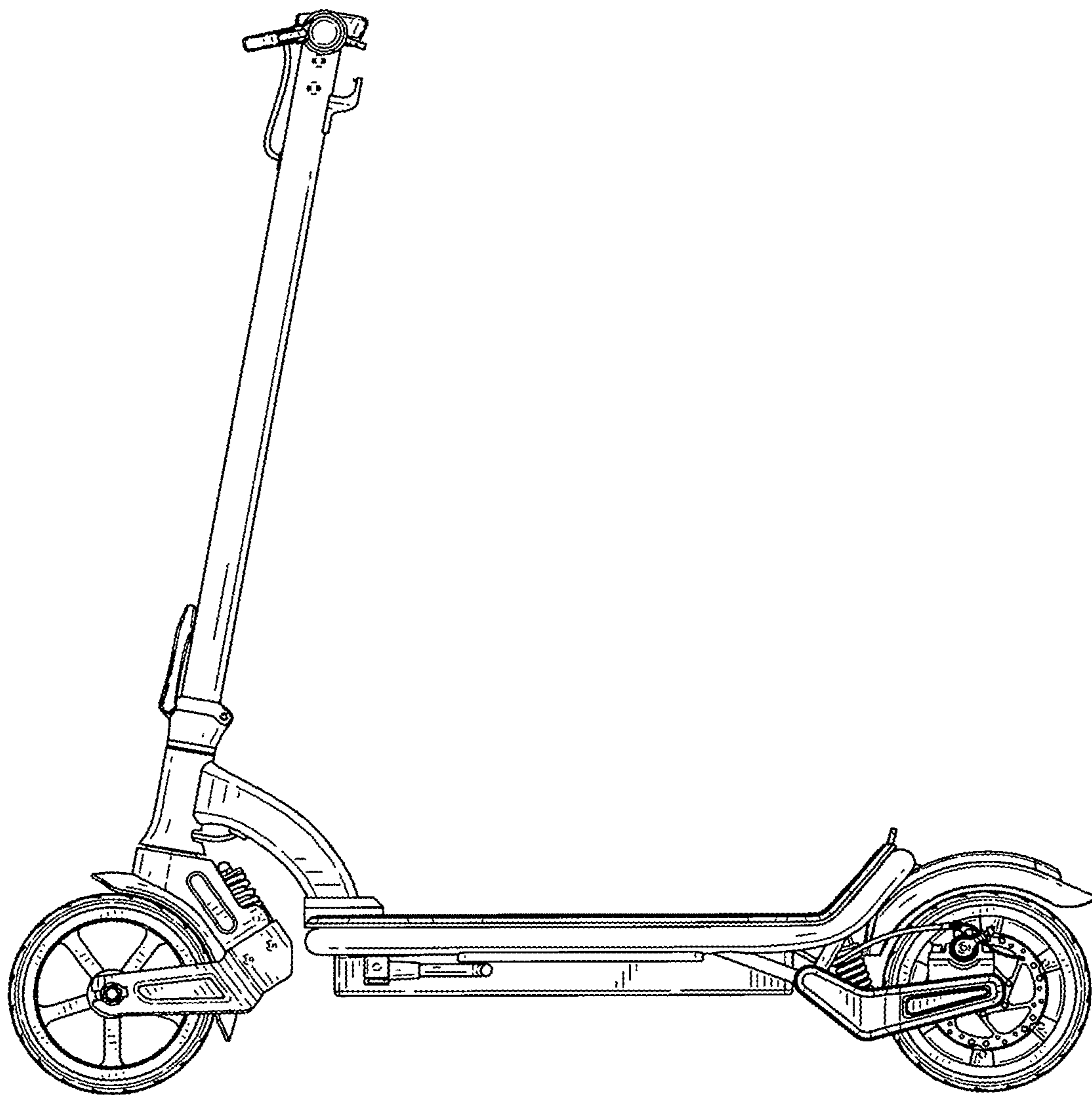


FIG. 7

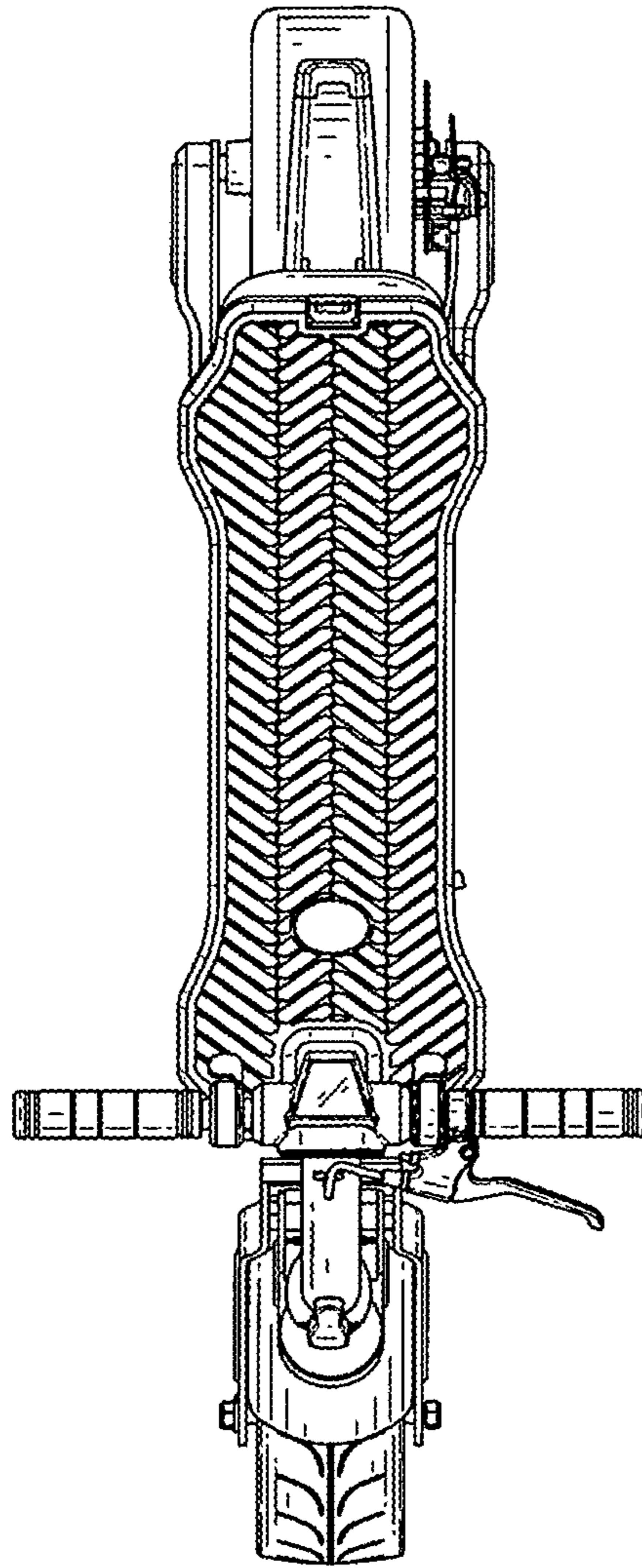


FIG. 8

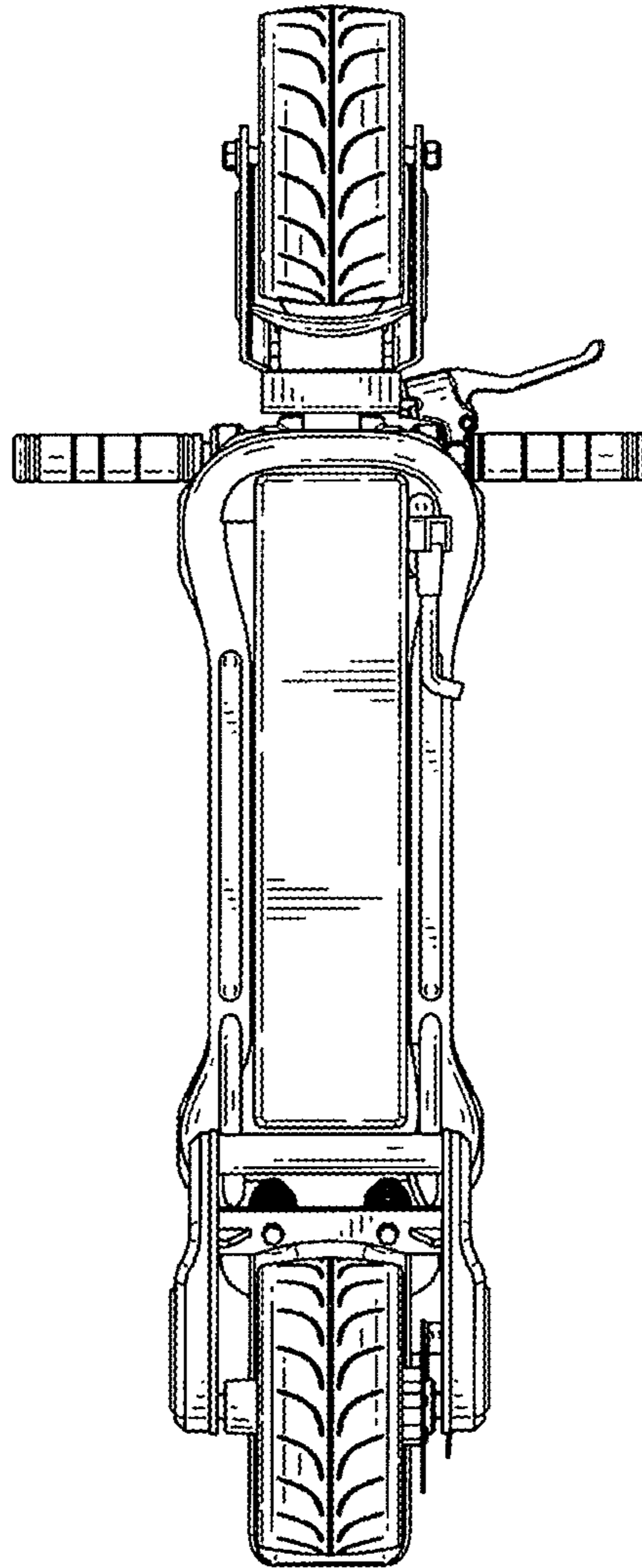


FIG. 9

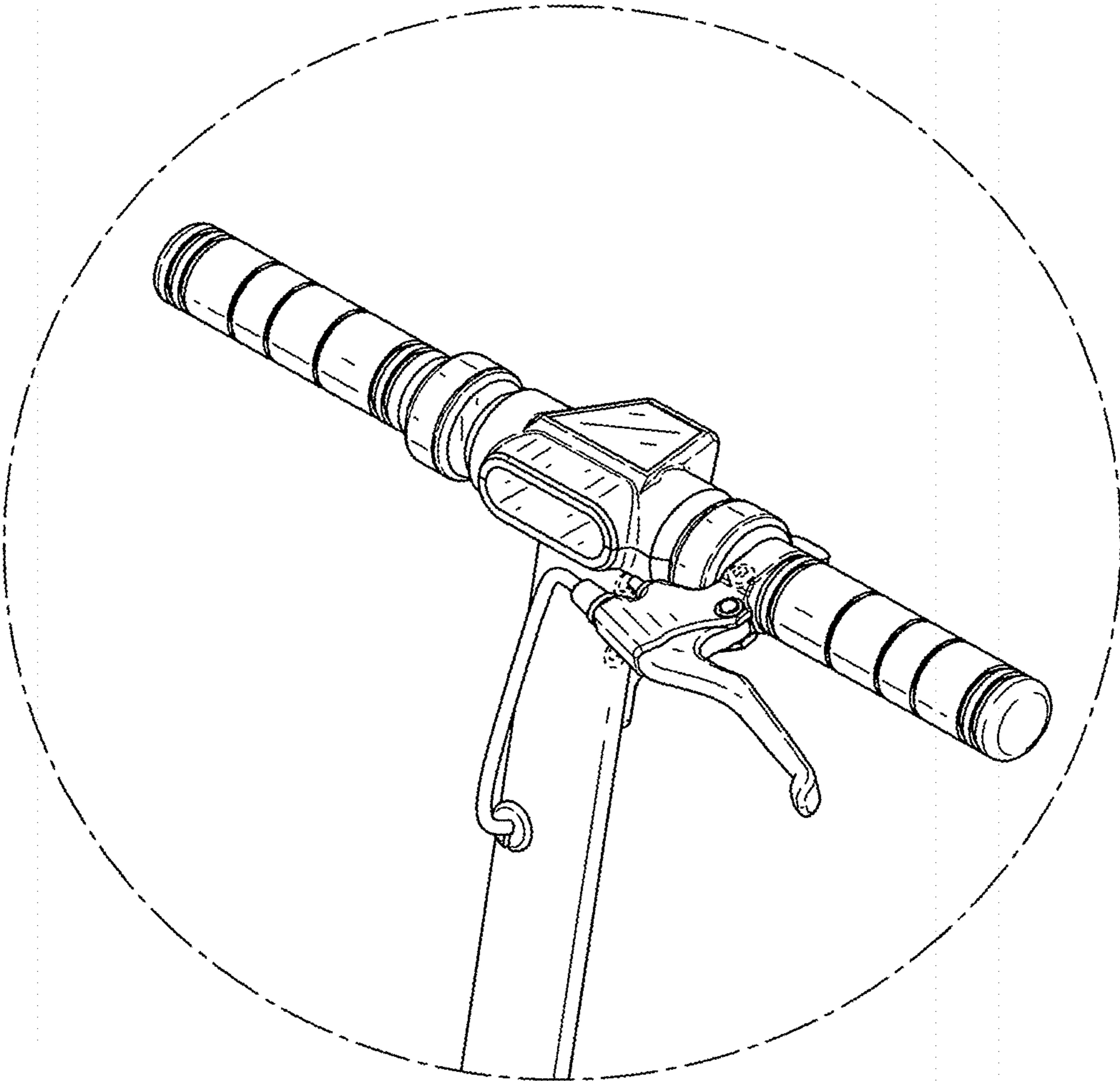


FIG. 10

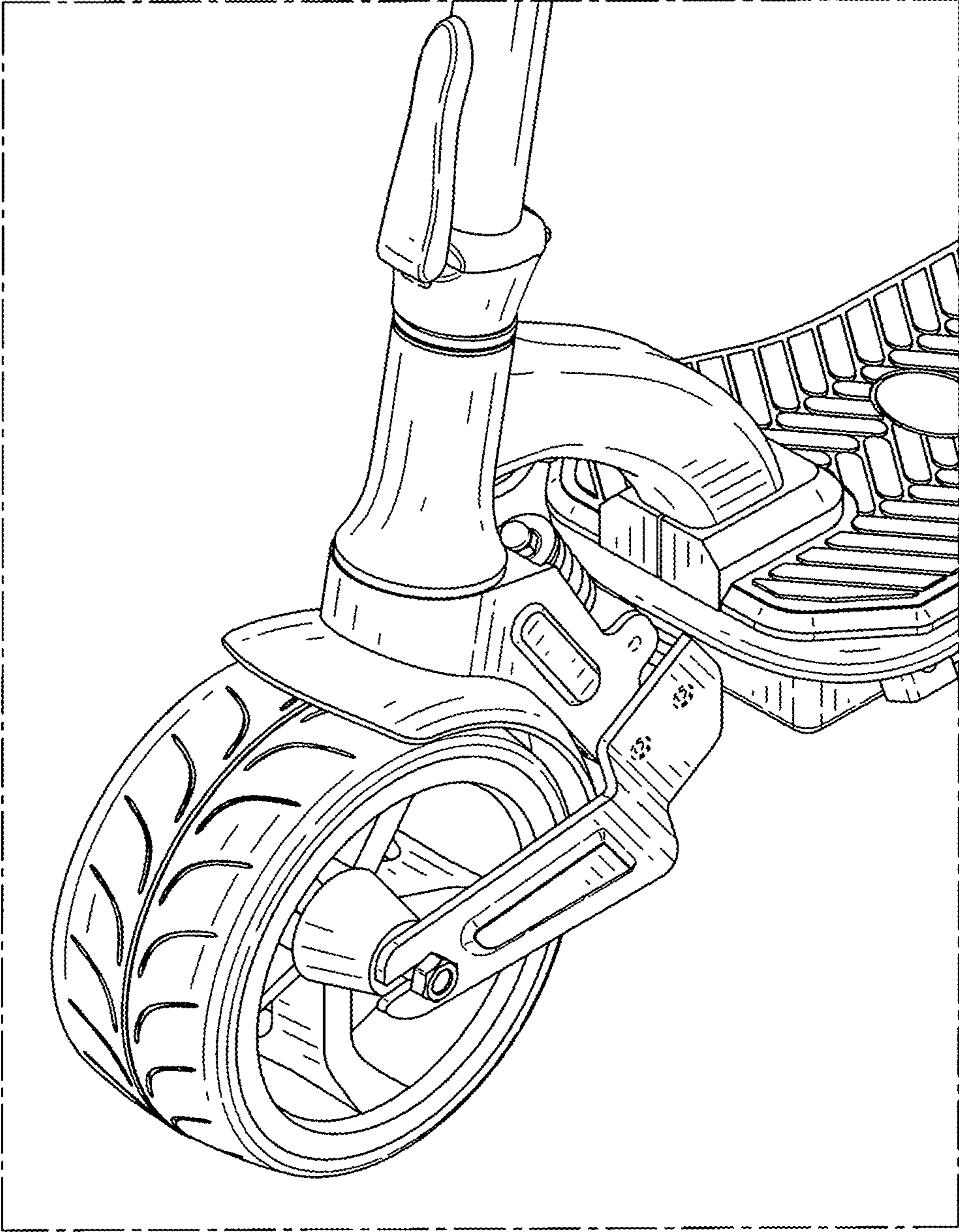


FIG. 11

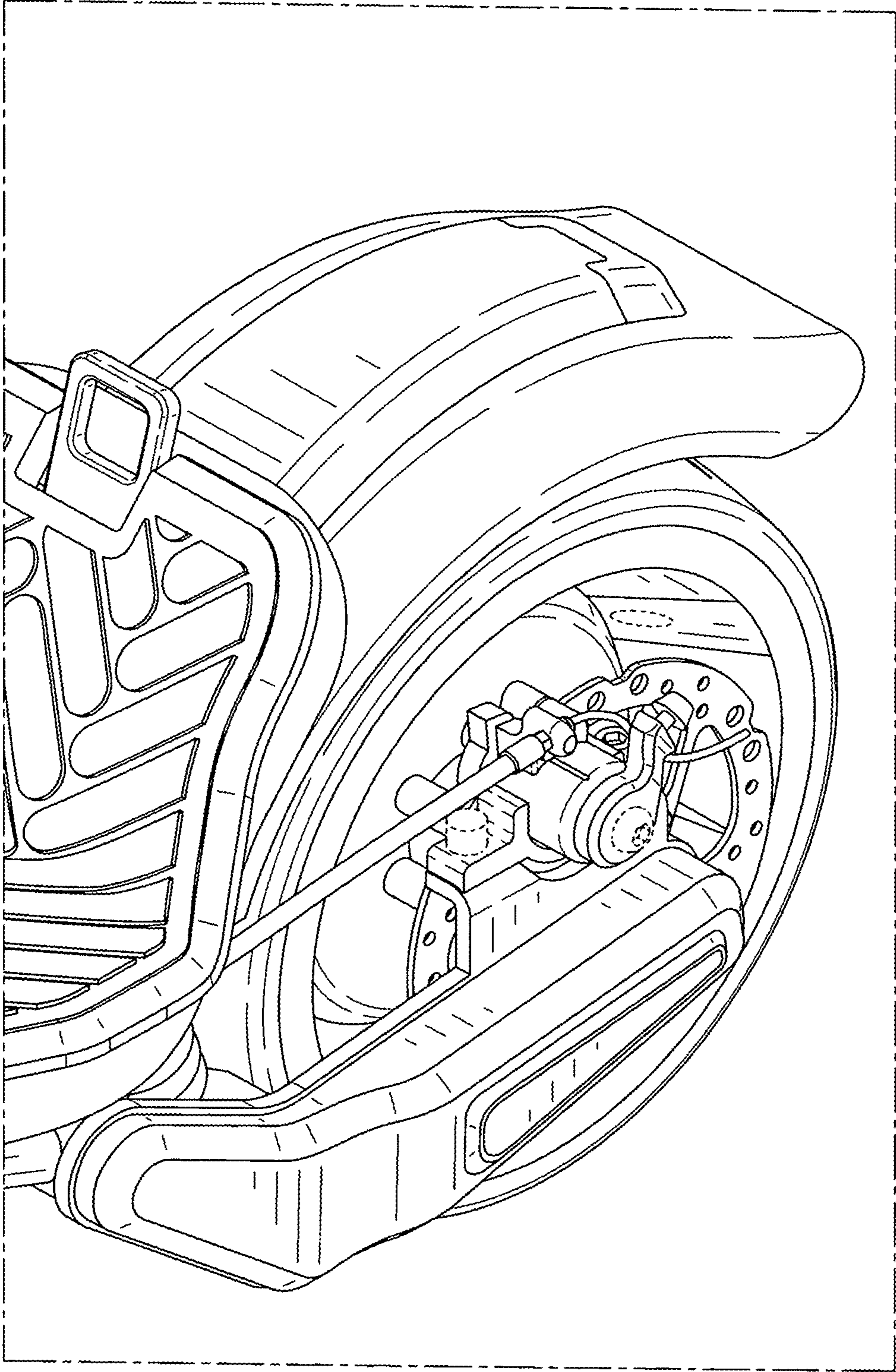


FIG. 12