



US00D923102S

(12) **United States Design Patent** (10) **Patent No.:** **US D923,102 S**
McGahn et al. (45) **Date of Patent:** **** Jun. 22, 2021**

(54) **GAMING MACHINE**

- (71) Applicant: **IGT**, Las Vegas, NV (US)
- (72) Inventors: **Steven McGahn**, Reno, NV (US);
Stewart Thoeni, Reno, NV (US);
Charles Johnson, Reno, NV (US);
Jacob Wik, Reno, NV (US); **Jack H. Brooks**, Reno, NV (US)
- (73) Assignee: **IGT**, Las Vegas, NV (US)
- (**) Term: **15 Years**
- (21) Appl. No.: **29/708,965**
- (22) Filed: **Oct. 10, 2019**
- (51) **LOC (13) Cl.** **21-03**
- (52) **U.S. Cl.**
USPC **D21/370**
- (58) **Field of Classification Search**
USPC D21/329, 332, 333, 365, 385, 694, 371,
D21/325, 324, 336, 369; D6/300, 301,
D6/302, 308, 332, 650, 650.1, 668, 670,
D6/691.3, 703.1, 705.1
CPC A63F 59/04
See application file for complete search history.

(56) **References Cited**

U.S. PATENT DOCUMENTS

D254,249 S	2/1980	Biehl	
D405,963 S *	2/1999	Arbak D6/300
D604,368 S	11/2009	Lesley et al.	
D622,780 S	8/2010	Lesley et al.	
D622,781 S	8/2010	Lesley et al.	
D646,336 S	10/2011	Kelly et al.	
D646,337 S	10/2011	Kelly et al.	
8,033,902 B2	10/2011	Wells et al.	
D685,033 S *	6/2013	Wudtke D21/370

(Continued)

OTHER PUBLICATIONS

“Buffalo Casino Game”, Aristocrat; image available before Oct. 10, 2019 (1 page).

(Continued)

Primary Examiner — Khawaja Anwar
Assistant Examiner — Julice Seung Eun Oum
(74) *Attorney, Agent, or Firm* — Neal, Gerber & Eisenberg LLP

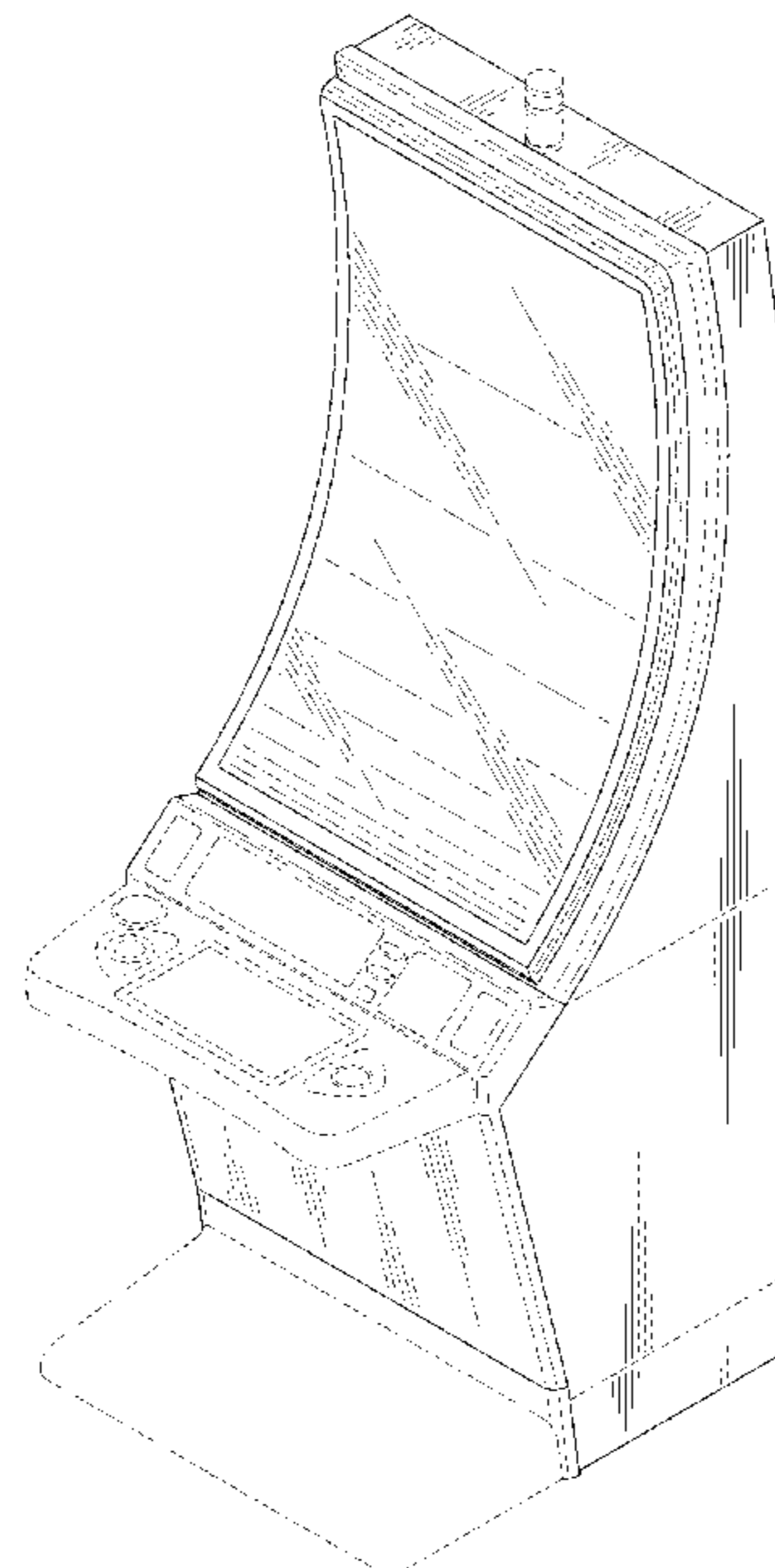
(57) **CLAIM**

The ornamental design for a gaming machine, as shown and described.

DESCRIPTION

FIG. 1 is a front perspective view of a gaming machine of one embodiment of our new design.
 FIG. 2 is a front view of the gaming machine of FIG. 1.
 FIG. 3 is a rear view of the gaming machine of FIG. 1.
 FIG. 4 is a right side view of the gaming machine of FIG. 1.
 FIG. 5 is a left side view of the gaming machine of FIG. 1.
 FIG. 6 is a top view of the gaming machine of FIG. 1.
 FIG. 7 is a bottom view of the gaming machine of FIG. 1.
 FIG. 8 is a front perspective view of a gaming machine of another embodiment of our new design.
 FIG. 9 is a front view of the gaming machine of FIG. 8.
 FIG. 10 is a rear view of the gaming machine of FIG. 8.
 FIG. 11 is a right side view of the gaming machine of FIG. 8.
 FIG. 12 is a left side view of the gaming machine of FIG. 8.
 FIG. 13 is a top view of the gaming machine of FIG. 8; and,
 FIG. 14 is a bottom view of the gaming machine of FIG. 8.
 The broken lines shown on the gaming machine represent environment and form no part of the claimed design.

1 Claim, 14 Drawing Sheets



(56)

References Cited

U.S. PATENT DOCUMENTS

D706,741 S * 6/2014 Myers D14/172
 8,974,297 B2 3/2015 Massing et al.
 D743,705 S * 11/2015 Cisler, II D6/310
 RE46,169 E * 10/2016 Kelly G07F 17/3211
 D21/370
 D812,147 S 3/2018 Castro et al.
 D812,148 S 3/2018 Castro et al.
 D812,149 S 3/2018 Castro et al.
 9,972,166 B2 5/2018 Vann et al.
 D819,747 S 6/2018 Castro et al.
 D820,915 S * 6/2018 Lee D21/369
 D842,930 S 3/2019 Johnson et al.
 D843,460 S * 3/2019 Castro D21/369
 D843,473 S * 3/2019 Zedell, Jr. D21/369
 D843,475 S * 3/2019 Lesley D21/369
 10,363,480 B2 7/2019 Hennessy et al.
 D872,188 S 1/2020 Bernard et al.
 D872,189 S 1/2020 Bernard et al.
 D872,190 S * 1/2020 Zedell, Jr. D21/369
 D873,921 S 1/2020 Bernard et al.

D880,609 S 4/2020 Bernard et al.
 D882,698 S * 4/2020 Lesley D21/369
 D890,264 S * 7/2020 Johnson D21/369
 D890,850 S * 7/2020 Johnson D21/369
 D890,851 S * 7/2020 Johnson D21/369
 D892,220 S * 8/2020 Park D21/369
 D894,285 S * 8/2020 Glenn D21/369
 D895,019 S * 9/2020 Lesley D21/369
 D905,172 S * 12/2020 Zedell, Jr. D21/369
 D907,125 S * 1/2021 DeMarco D21/369
 2018/0075689 A1 3/2018 Castro et al.
 2018/0078854 A1 3/2018 Achmueller et al.
 2018/0081391 A1 3/2018 Mittler et al.
 2018/0089960 A1 3/2018 Caputo et al.
 2018/0197378 A1 7/2018 Salmon et al.
 2020/0111295 A1* 4/2020 Glenn G02B 5/021

OTHER PUBLICATIONS

“Crystal Curve”, IGT, available prior to Oct. 10, 2019 (1 page).
 “Crystal Slant”, IGT, available prior to Oct. 10, 2019 (1 page).

* cited by examiner

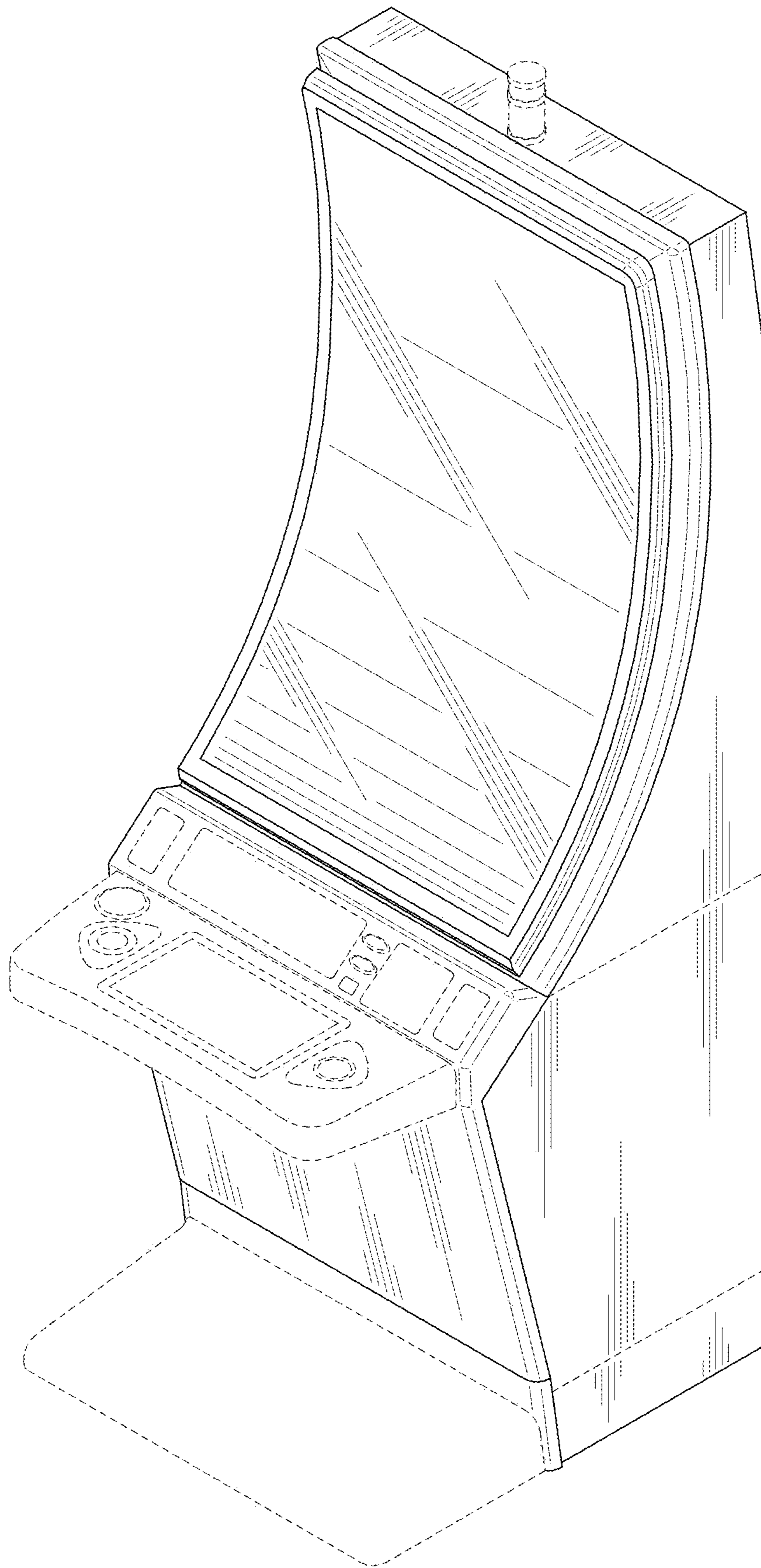


FIG. 1

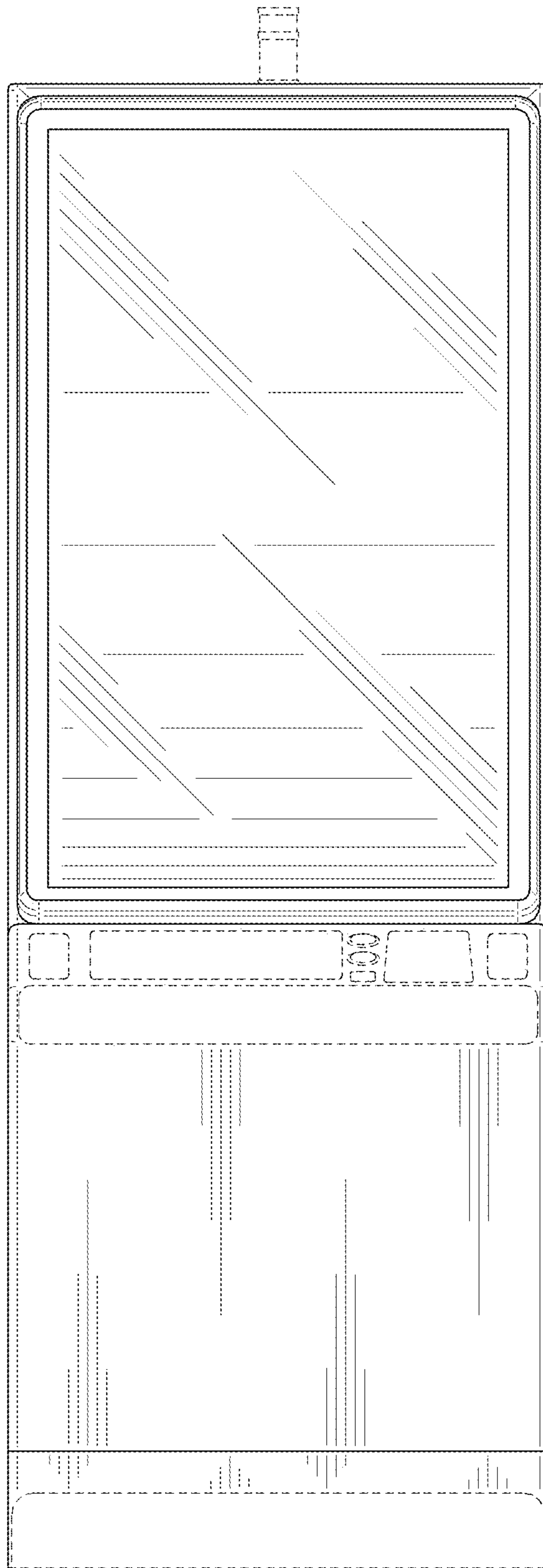


FIG. 2

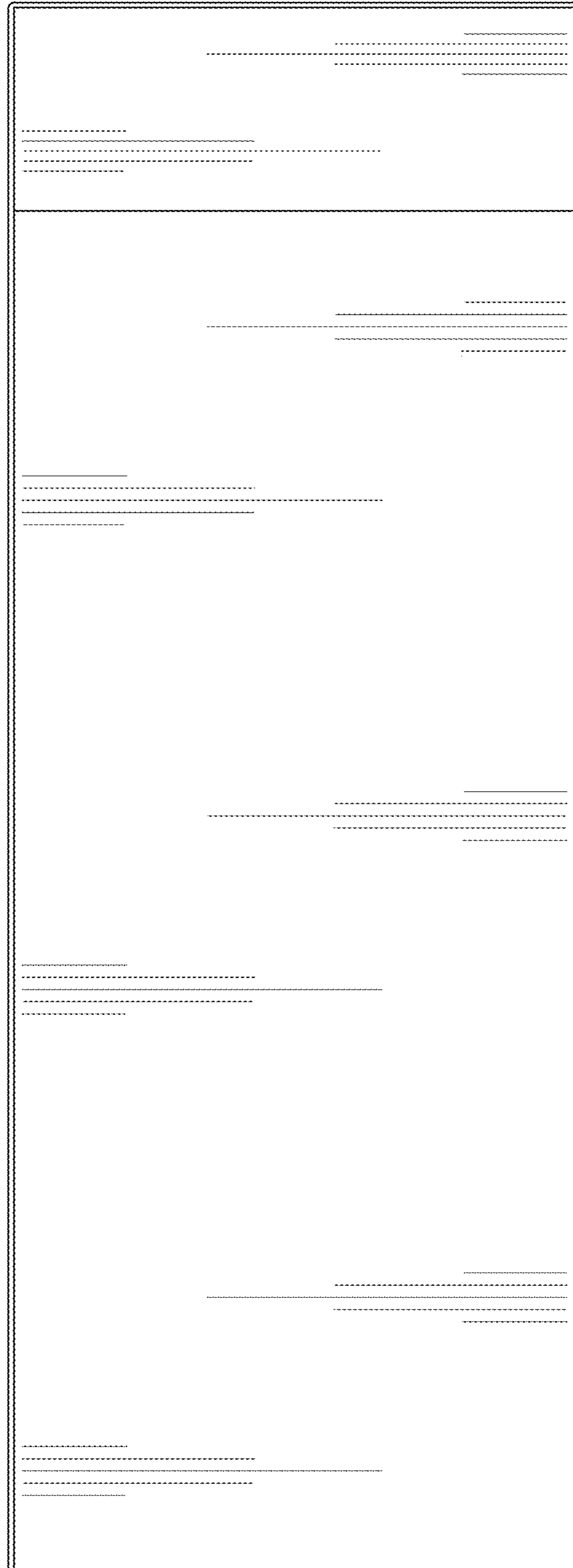


FIG. 3

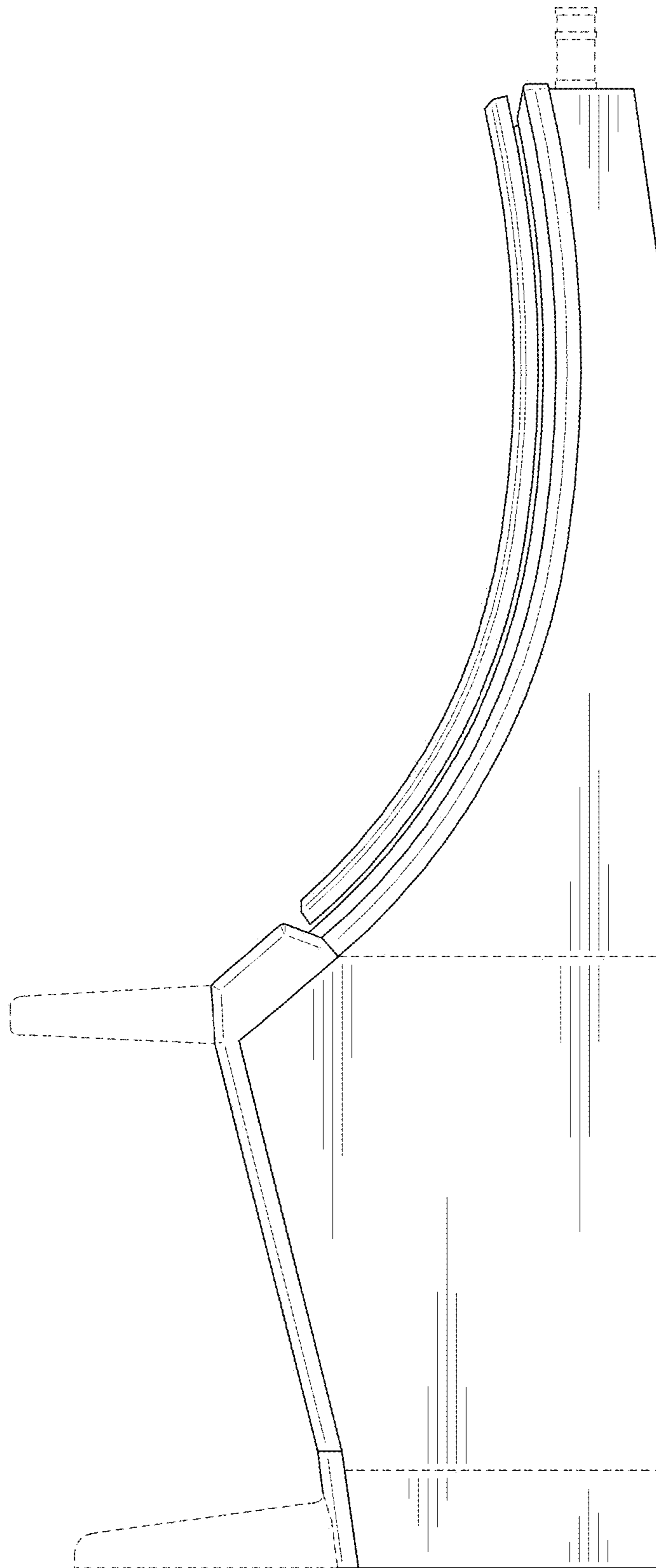


FIG. 4

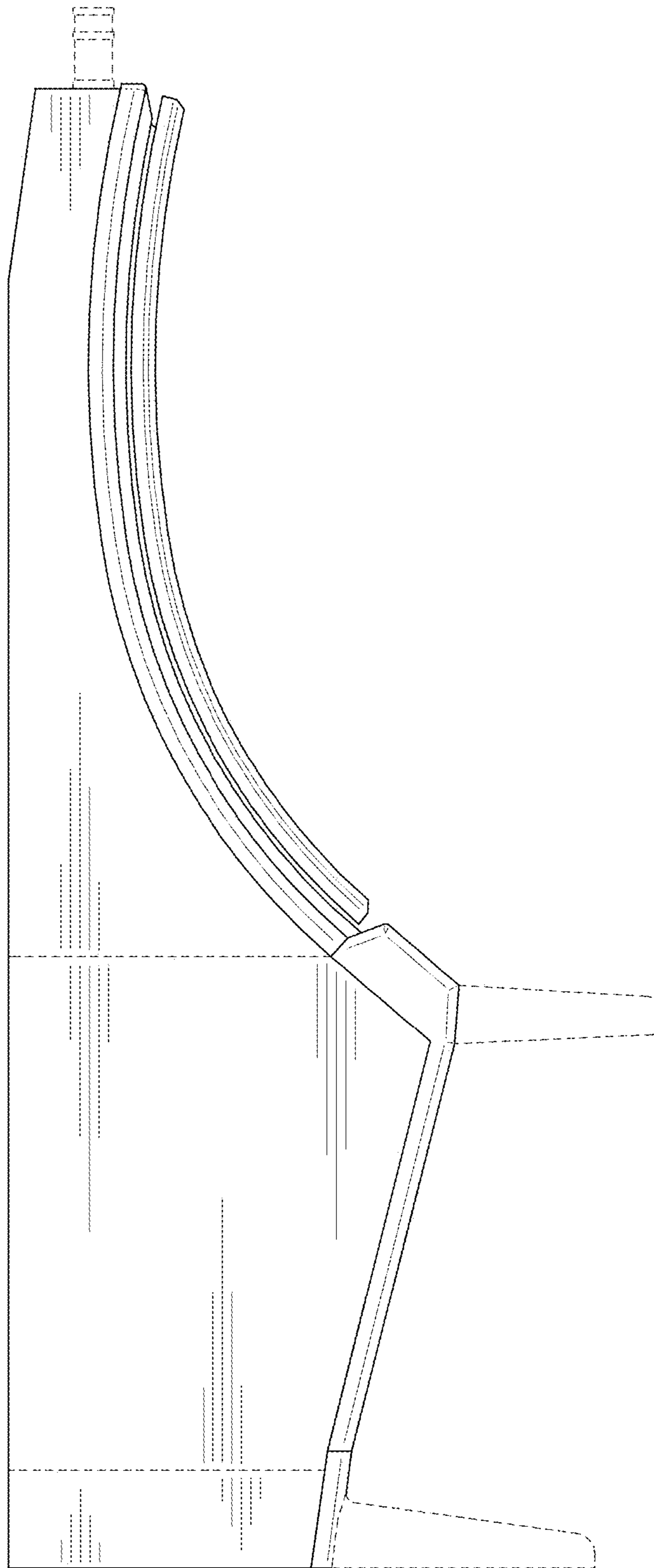


FIG. 5

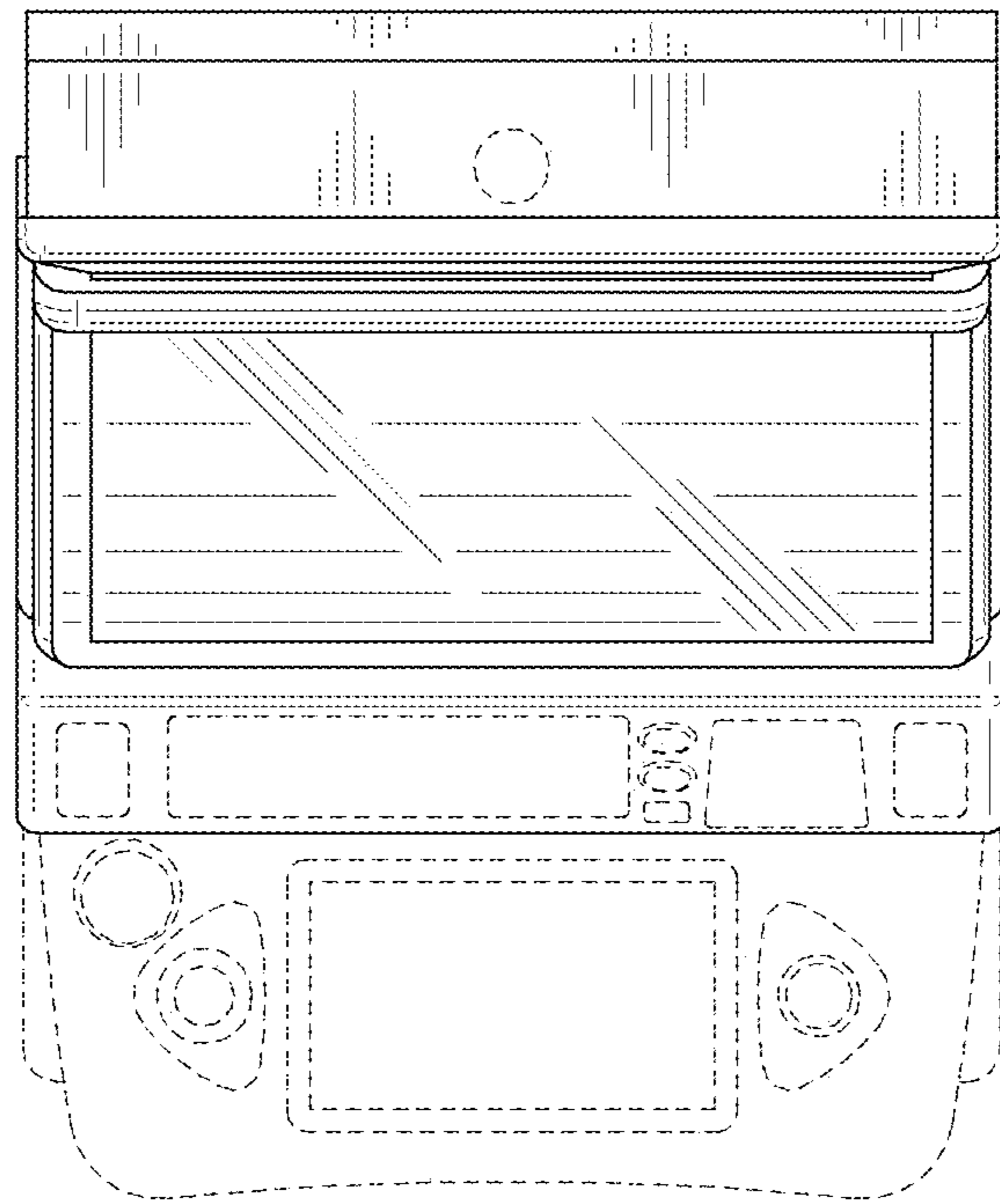


FIG. 6

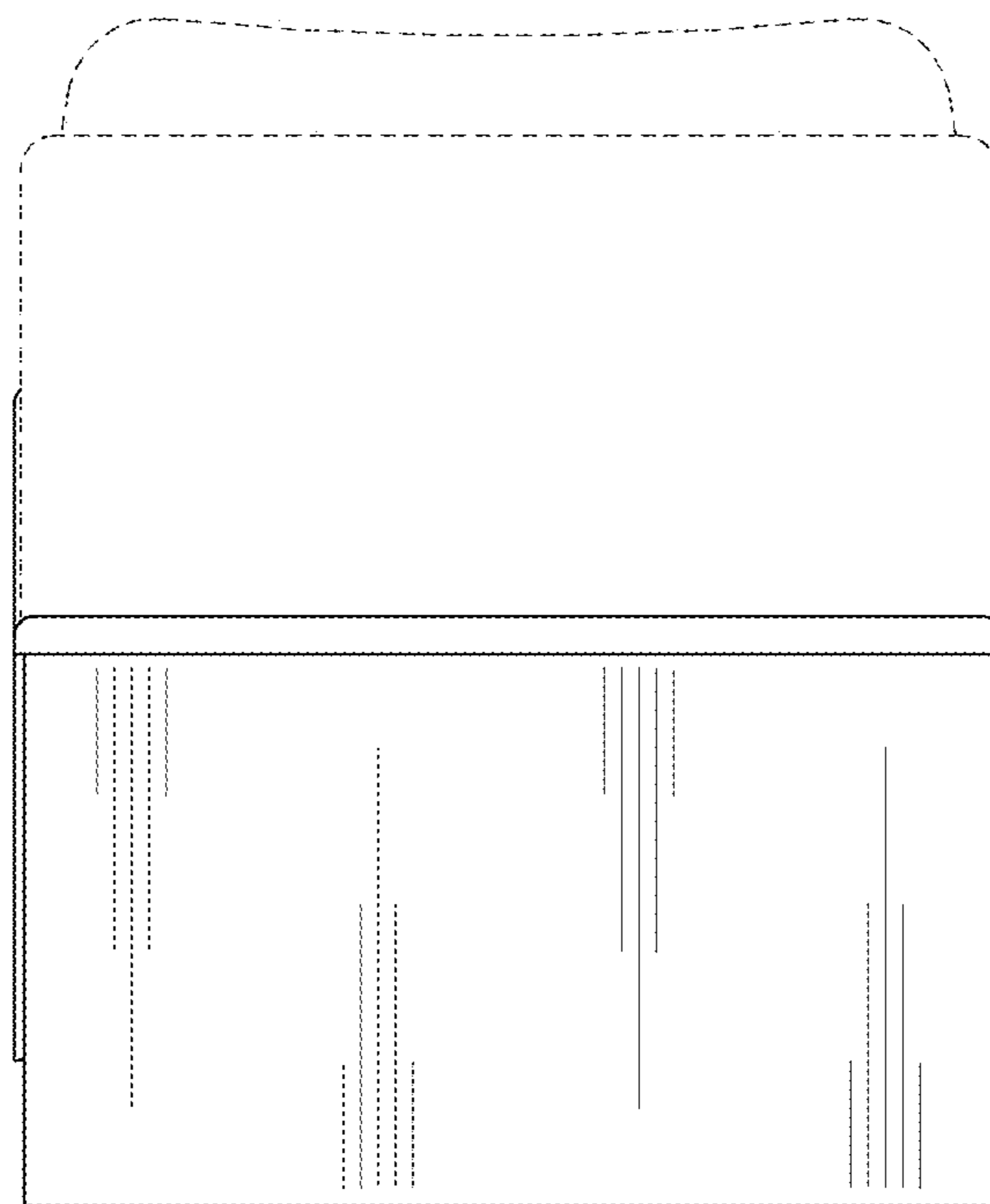


FIG. 7

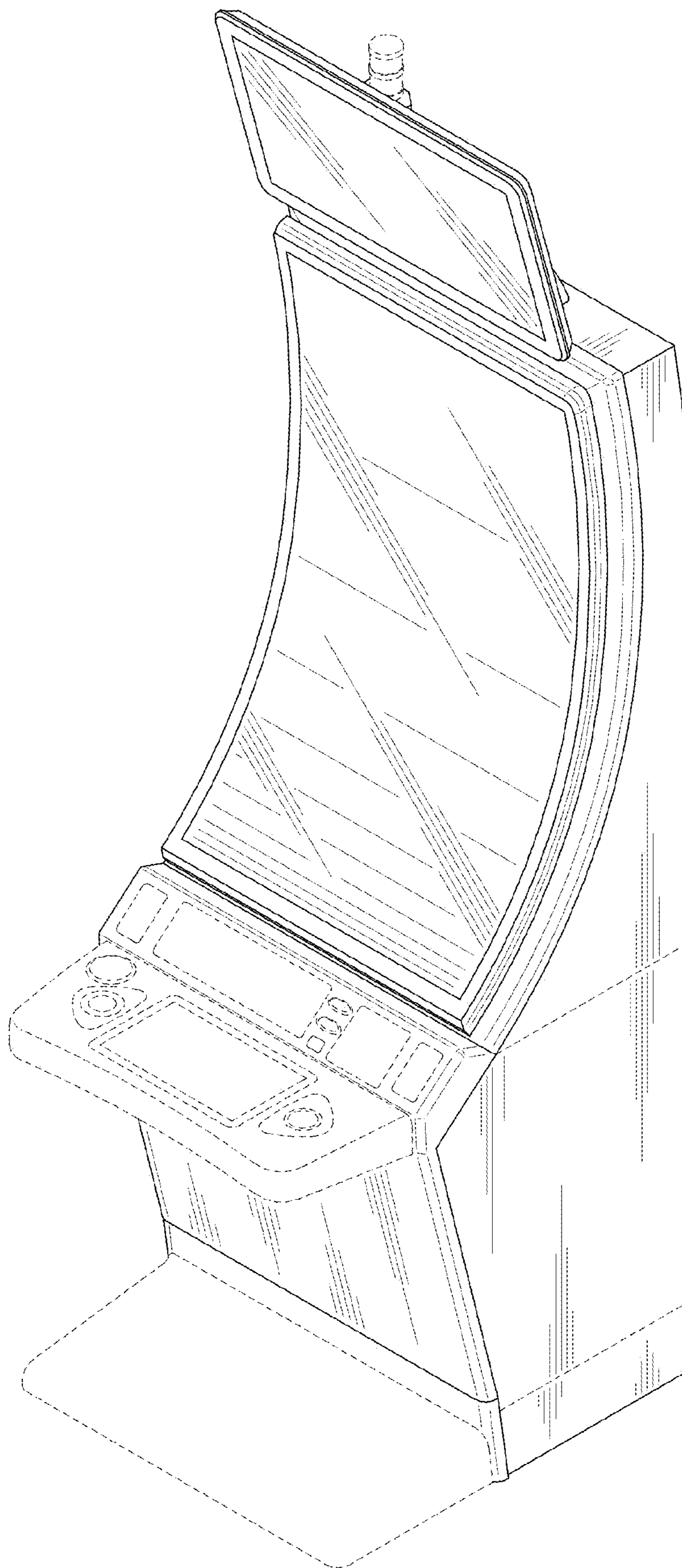


FIG. 8

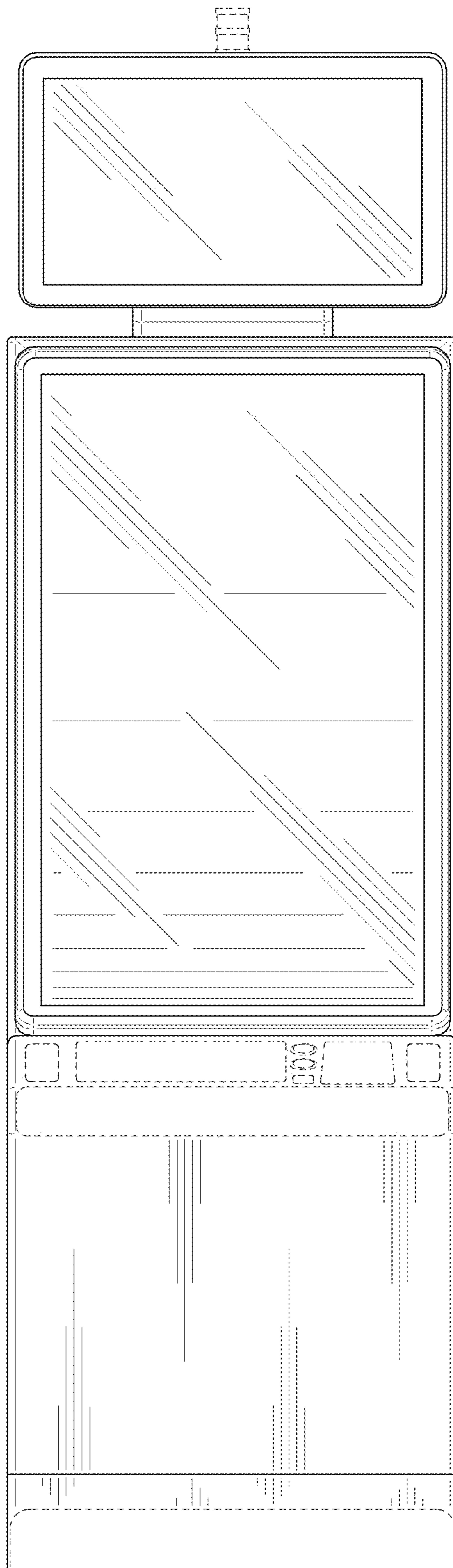


FIG. 9

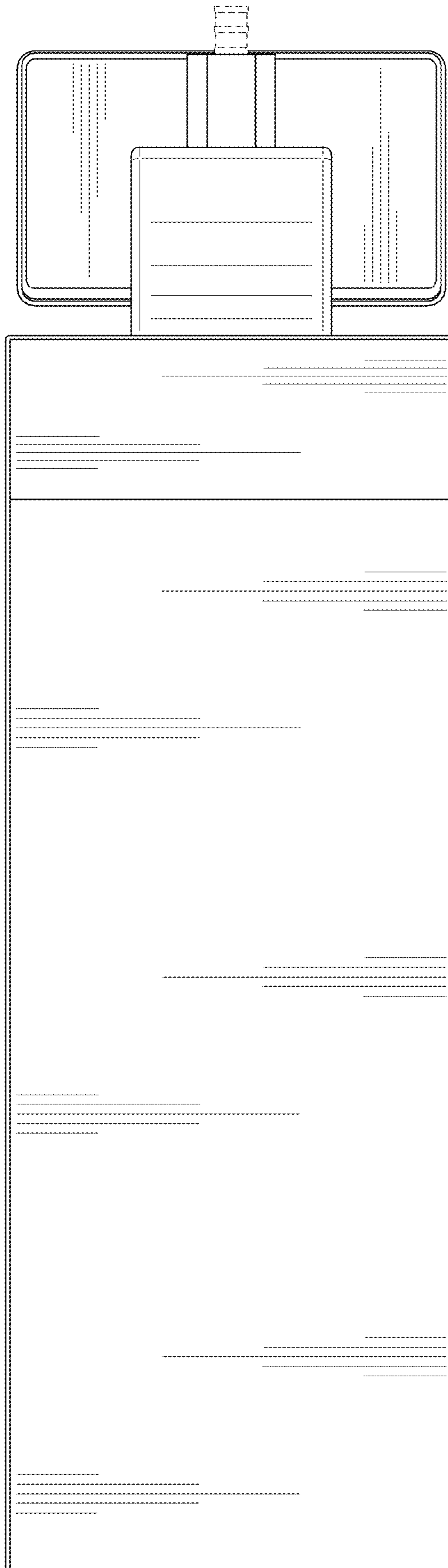


FIG. 10

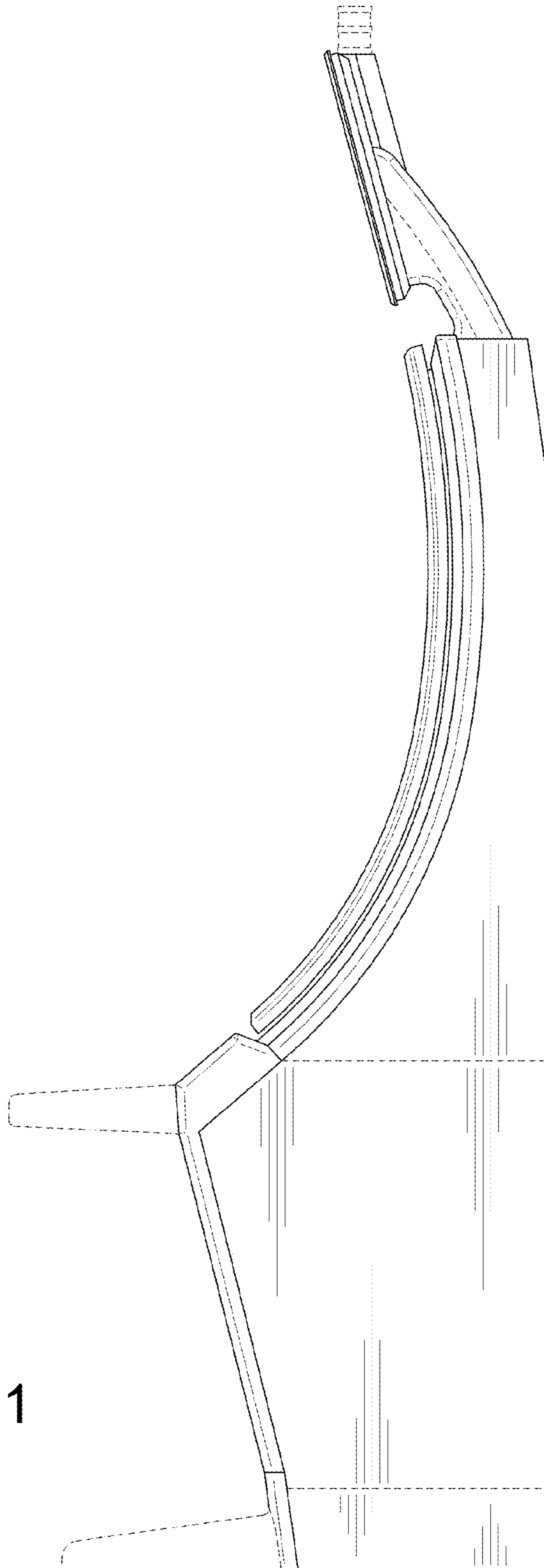


FIG. 11

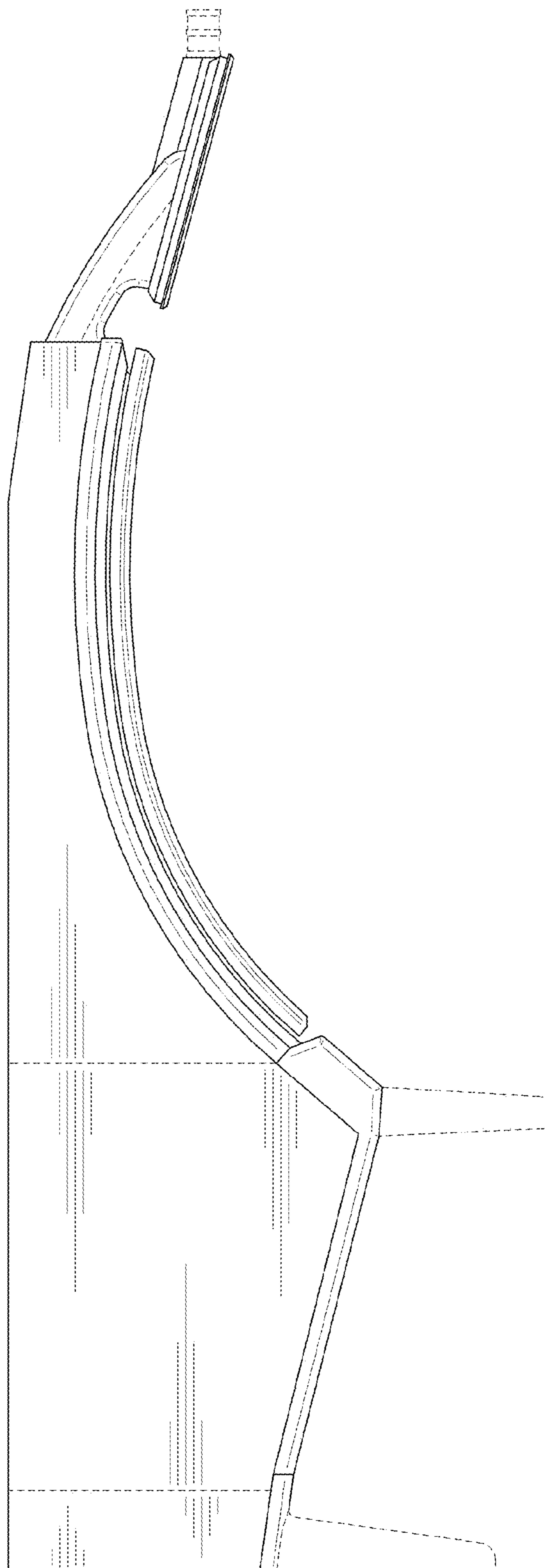


FIG. 12

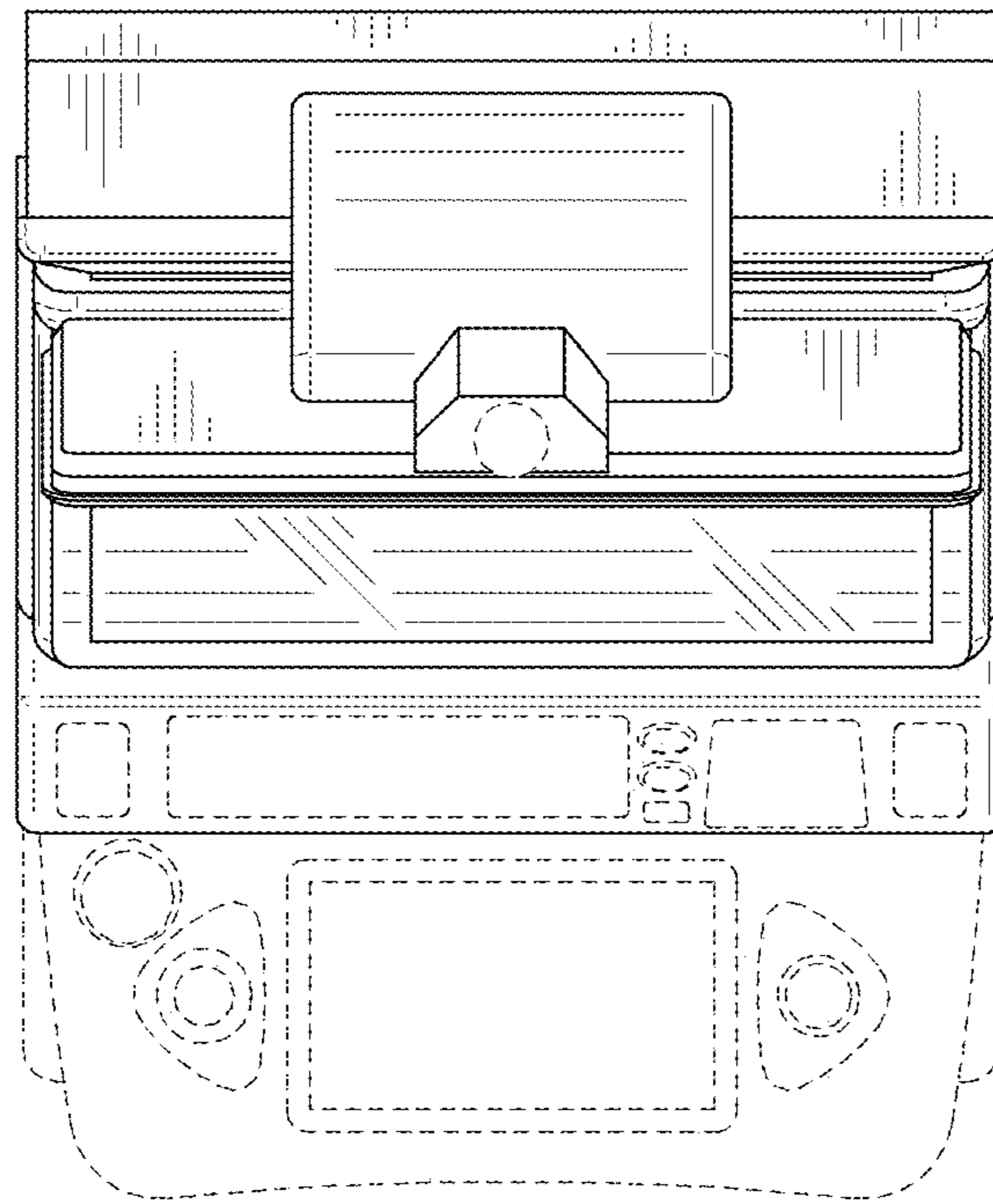


FIG. 13

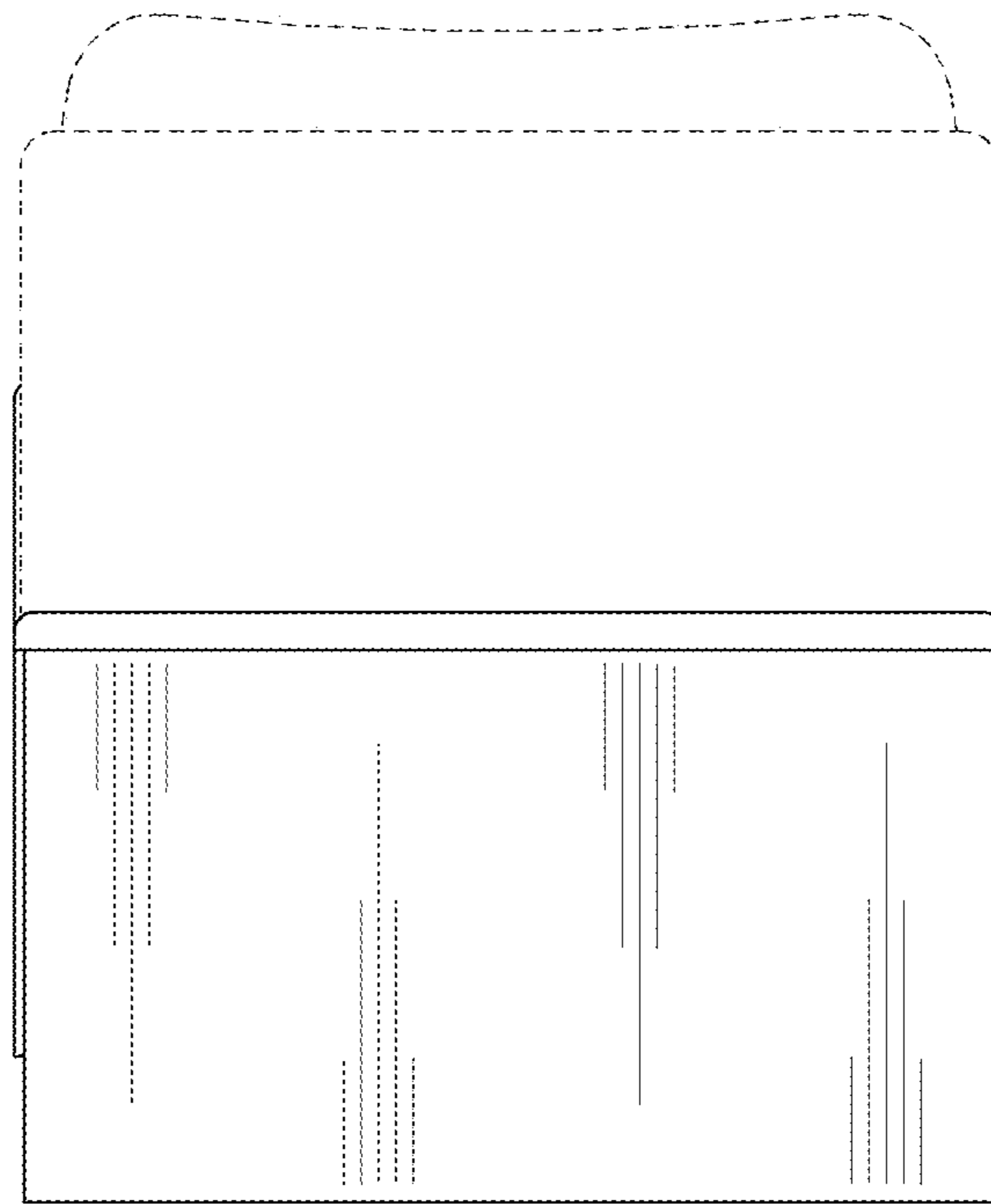


FIG. 14