



US00D923099S

(12) **United States Design Patent**
Zhu

(10) **Patent No.:** **US D923,099 S**
(45) **Date of Patent:** **** Jun. 22, 2021**

(54) **SILICONE COVER FOR GAME CONTROLLER**
(71) Applicant: **Jiarui Zhu**, Zhongshan (CN)
(72) Inventor: **Jiarui Zhu**, Zhongshan (CN)
(**) Term: **15 Years**
(21) Appl. No.: **29/754,583**

D712,973 S * 9/2014 Sumii D21/333
D718,818 S * 12/2014 Sumii D21/333
D733,802 S * 7/2015 Burgess D21/333
D765,792 S * 9/2016 Chatterjee D21/333
D786,980 S * 5/2017 Strahle D21/333
D786,981 S * 5/2017 Strahle D21/333
D794,129 S * 8/2017 Kujawski D21/333
D799,599 S * 10/2017 Kujawski D21/333
D806,078 S * 12/2017 Goldman D14/401
D816,083 S * 4/2018 Wu D14/401
D816,170 S * 4/2018 Chatterjee D21/333
D816,674 S * 5/2018 Wu D14/401
D816,773 S * 5/2018 Chatterjee D21/333

(Continued)

(22) Filed: **Oct. 13, 2020**
(51) **LOC (13) Cl.** **21-01**
(52) **U.S. Cl.**
USPC **D21/333**

(58) **Field of Classification Search**
USPC D21/324–29, 330, 331, 333, 341, 342, D21/349, 386; D14/137, 138, 160, 168, D14/174, 177, 190, 217, 218, 250, 299, D14/322, 341, 345, 346, 353, 354, 356, D14/387, 388, 389, 399–401, 412–416, D14/421, 432, 440, 443, 449, 450, 454, D14/463, 471, 474, 483, 493, 496, 511; D22/100, 103–105; D13/162, 162.1, 168; D10/78, 98, 103; D12/174, 177, 190, D12/218; D18/10
CPC A45C 13/00; A45C 13/001; A45C 13/002; A63F 13/10; A63F 13/98; A63F 13/24; A63F 9/0291; A63F 13/06; A63F 13/02; A63F 9/00; A63F 9/24; A63F 11/00; G06F 3/0338; G06F 3/014; G06F 3/0346; G06F 1/1666; G06F 17/00; G06F 19/00; G06T 7/246; H04N 21/00; H04N 7/14; C09J 7/38

See application file for complete search history.

(56) **References Cited**
U.S. PATENT DOCUMENTS

D410,643 S * 6/1999 Tonino D14/401
D424,047 S * 5/2000 Chan D14/401
D545,317 S * 6/2007 Wang D14/401
D712,484 S * 9/2014 Sumii D21/333

OTHER PUBLICATIONS

“eXtremeRate Skin for Xbox Series X Controller”, posted Oct. 18, 2020 [Online], [retrieved Dec. 27, 2020], Retrieved from Internet, https://www.amazon.com/eXtremeRate-PlayVital-Anti-Slip-Controller-Protector/product-reviews/B08LZH2DSL/ref=cm_cr_getr_d_paging_btm_next_5?ie=UTF8&reviewerType=all_reviews&sortBy=recent&page.*

(Continued)

Primary Examiner — Sandra Snapp
Assistant Examiner — Mehri Bajoul

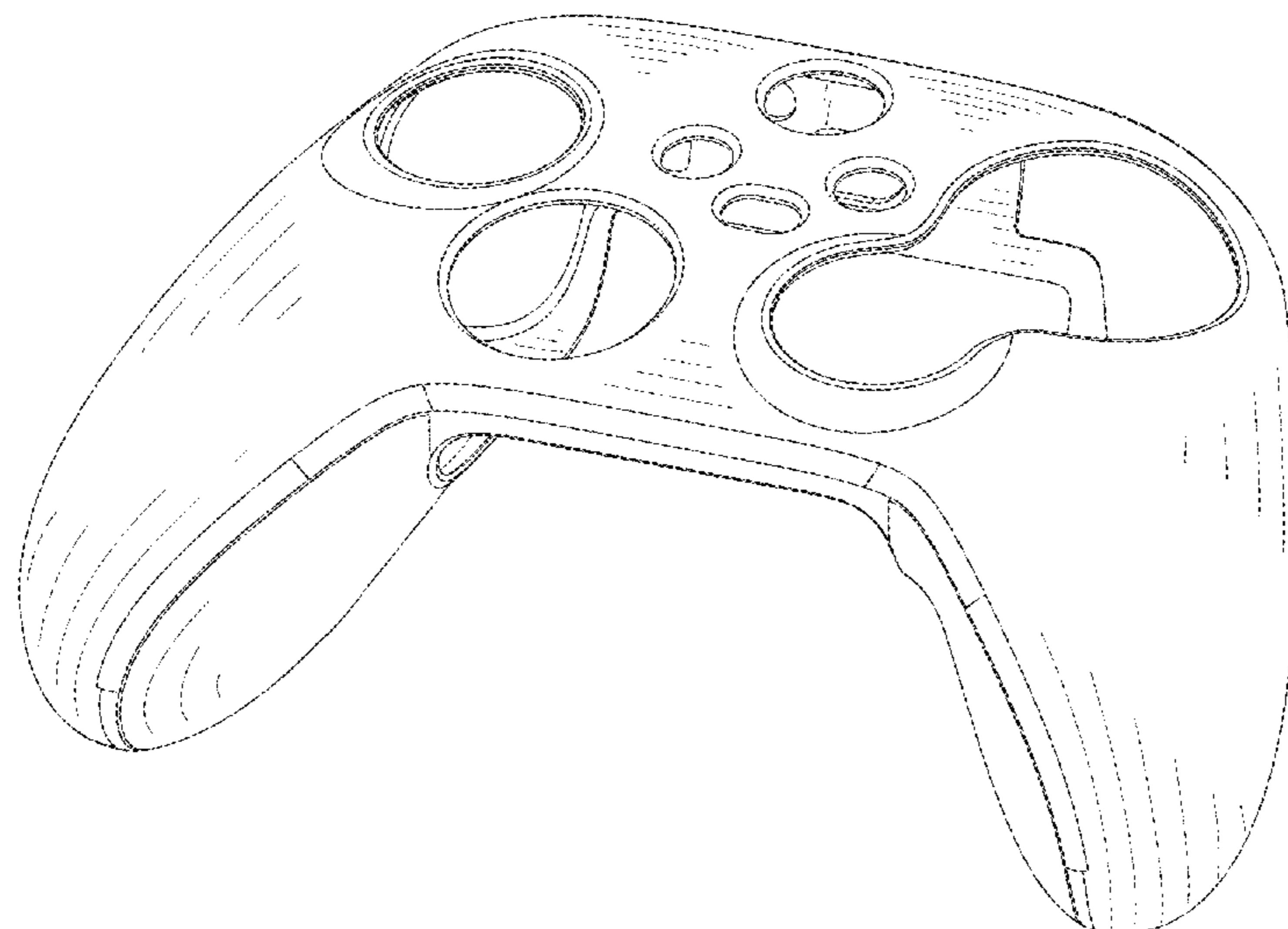
(57) **CLAIM**

The ornamental design for a silicone cover for game controller, as shown and described.

DESCRIPTION

FIG. 1 is a front perspective view of a silicone cover for game controller, showing my new design; FIG. 2 is a rear perspective view thereof; FIG. 3 is a front elevational view thereof; FIG. 4 is a rear elevational view thereof; FIG. 5 is a left side elevational view thereof; FIG. 6 is a right side elevational view thereof; FIG. 7 is a top plan view thereof; and, FIG. 8 is a bottom plan view thereof.

1 Claim, 8 Drawing Sheets



(56)

References Cited

U.S. PATENT DOCUMENTS

D819,641	S	*	6/2018	Tsuchiya	D14/401
D823,945	S	*	7/2018	Falc	D21/333
D825,005	S	*	8/2018	Chatterjee	D21/333
D842,301	S	*	3/2019	Chou	D14/410
D845,395	S	*	4/2019	Strahle	D21/333
D855,703	S	*	8/2019	Chatterjee	D21/333
D856,334	S	*	8/2019	Salter	D14/401
D863,447	S	*	10/2019	Tsuchiya	D21/333
D864,302	S	*	10/2019	Strahle	D21/333
D866,664	S	*	11/2019	Strahle	D21/333
D867,458	S	*	11/2019	Strahle	D21/333
D868,898	S	*	12/2019	Fei	D21/333
D872,183	S	*	1/2020	Chatterjee	D21/333
D872,184	S	*	1/2020	Chatterjee	D21/333
D882,690	S	*	4/2020	Tsuchiya	D21/333
D885,387	S	*	5/2020	Hu	D14/401
D892,936	S	*	8/2020	Strahle	D21/333
D902,938	S	*	11/2020	Buller	D14/454
D905,168	S	*	12/2020	Chatterjee	D21/333
2013/0130800	A1	*	5/2013	Sirilux	A63F 13/31 463/37

OTHER PUBLICATIONS

“YoRHa Studded Silicon Cover Skin Case for Sony Controller”,
posted Jul. 10, 2017 [Online], [retrieved Dec. 27, 2020], Retrieved
from Internet, <https://www.amazon.com/Studded-Silicone-Dualshock-controller-PlayStation-4/dp/B06XQ8FPTC?th=1#customer-Reviews>.*

* cited by examiner

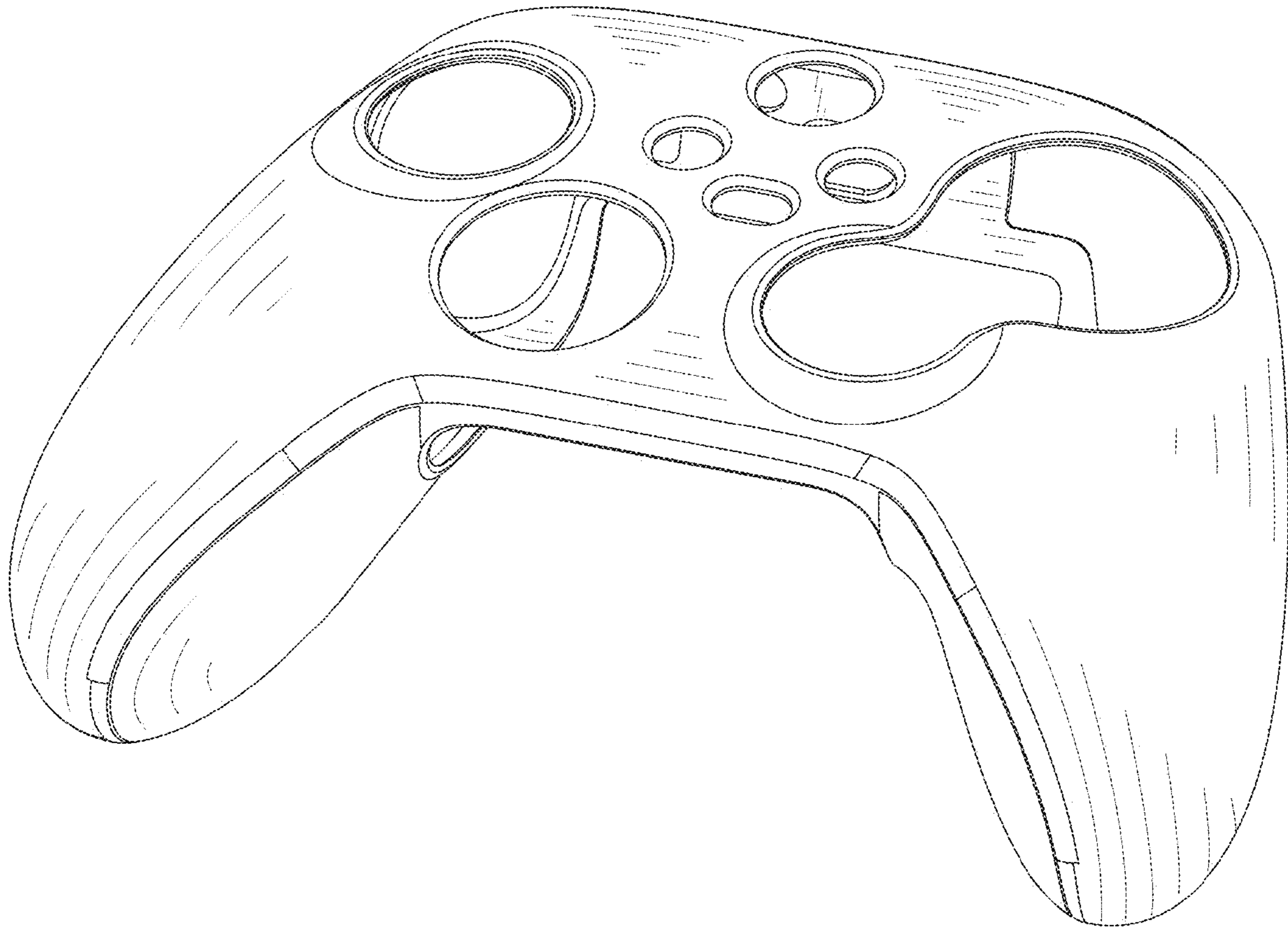


FIG. 1

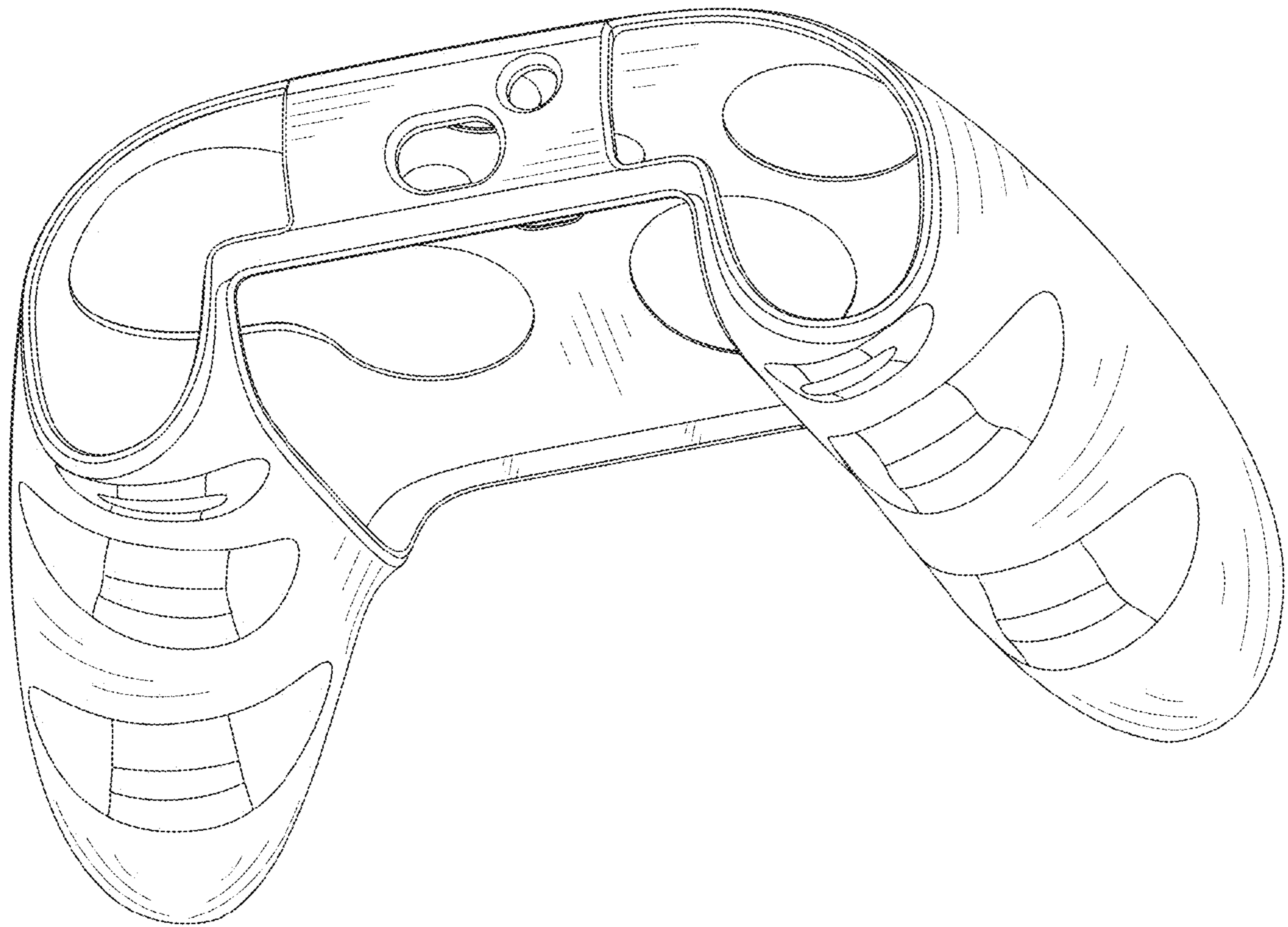


FIG. 2

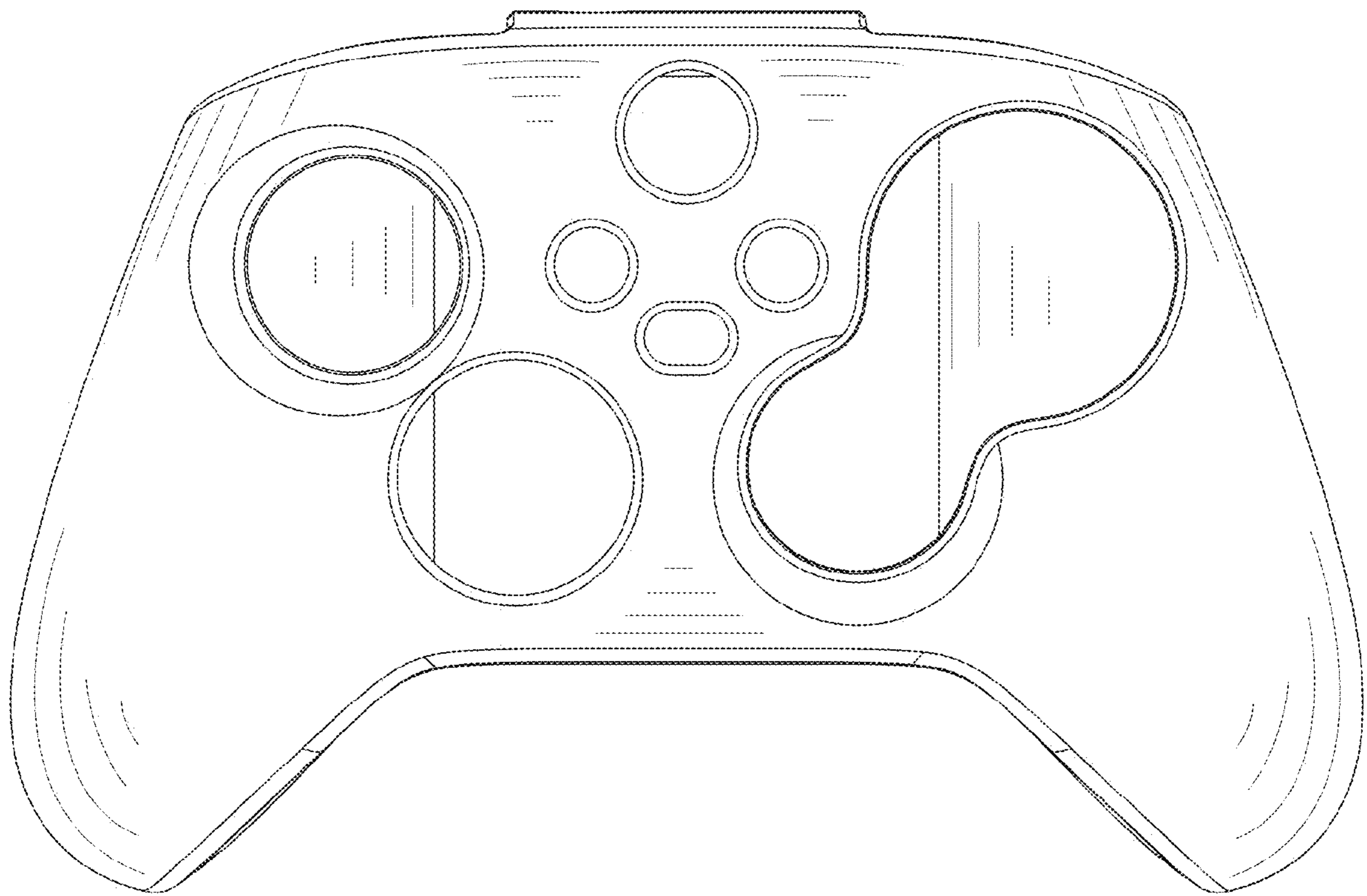


FIG. 3

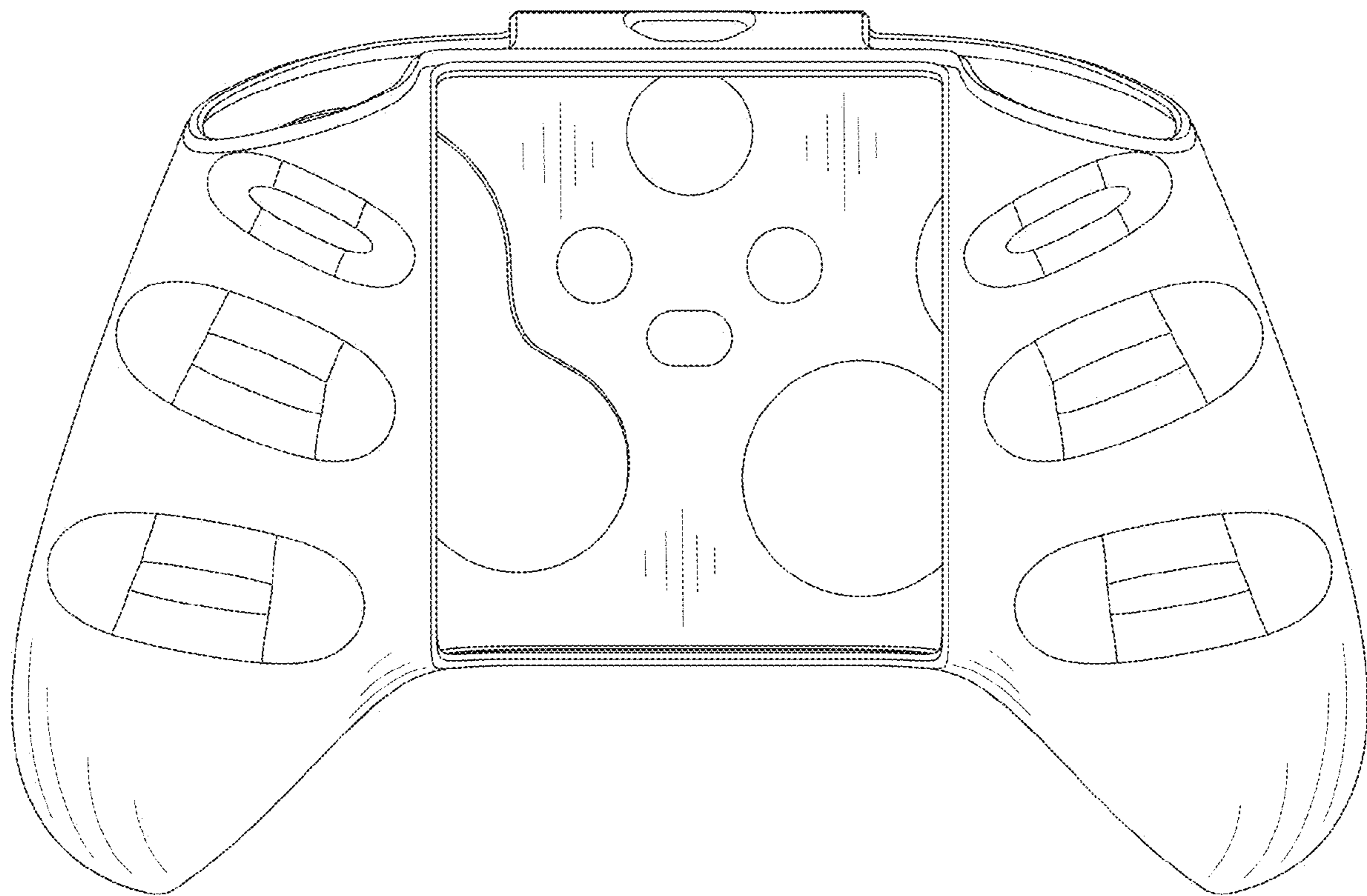


FIG. 4

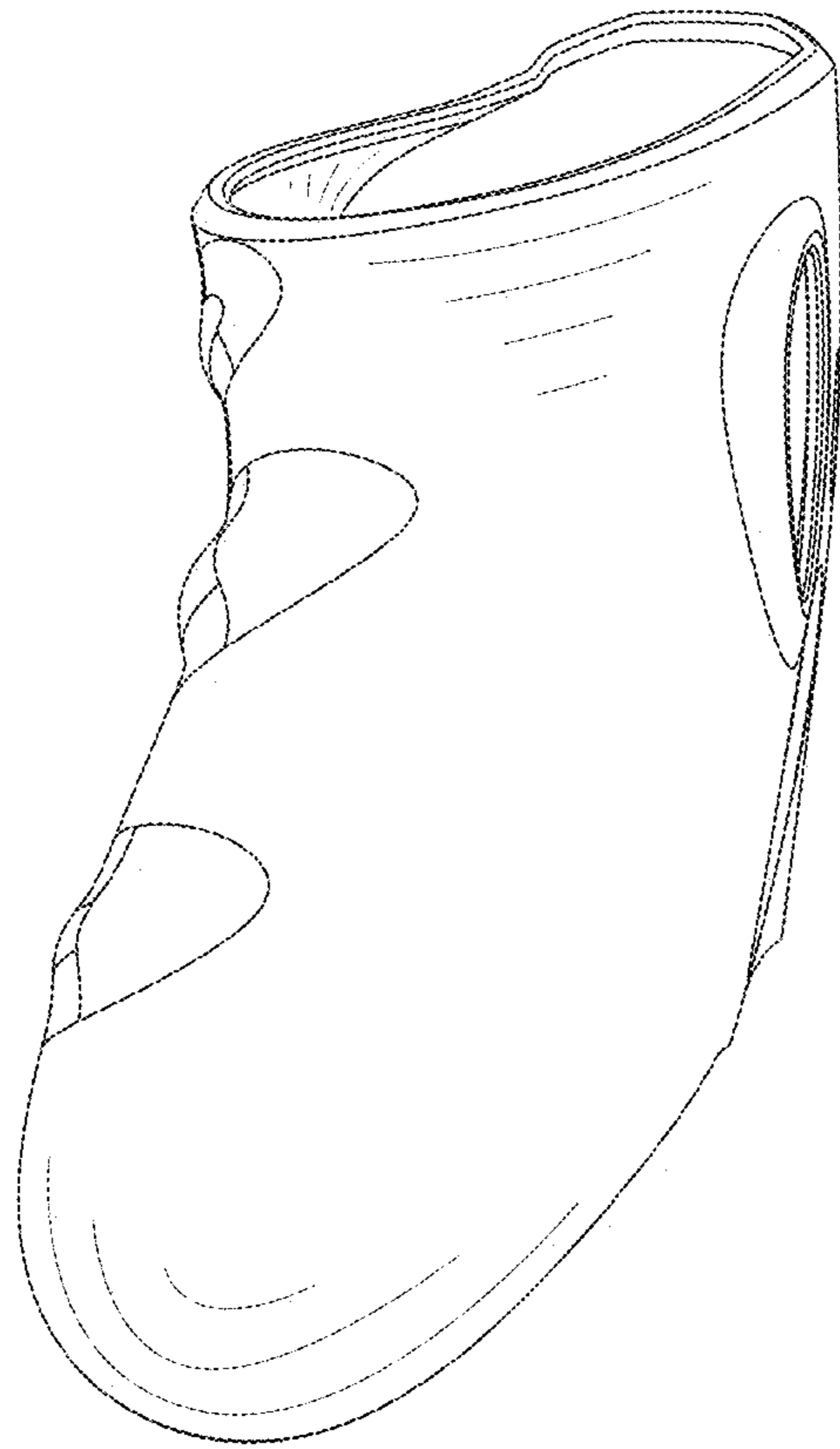


FIG. 5



FIG. 6

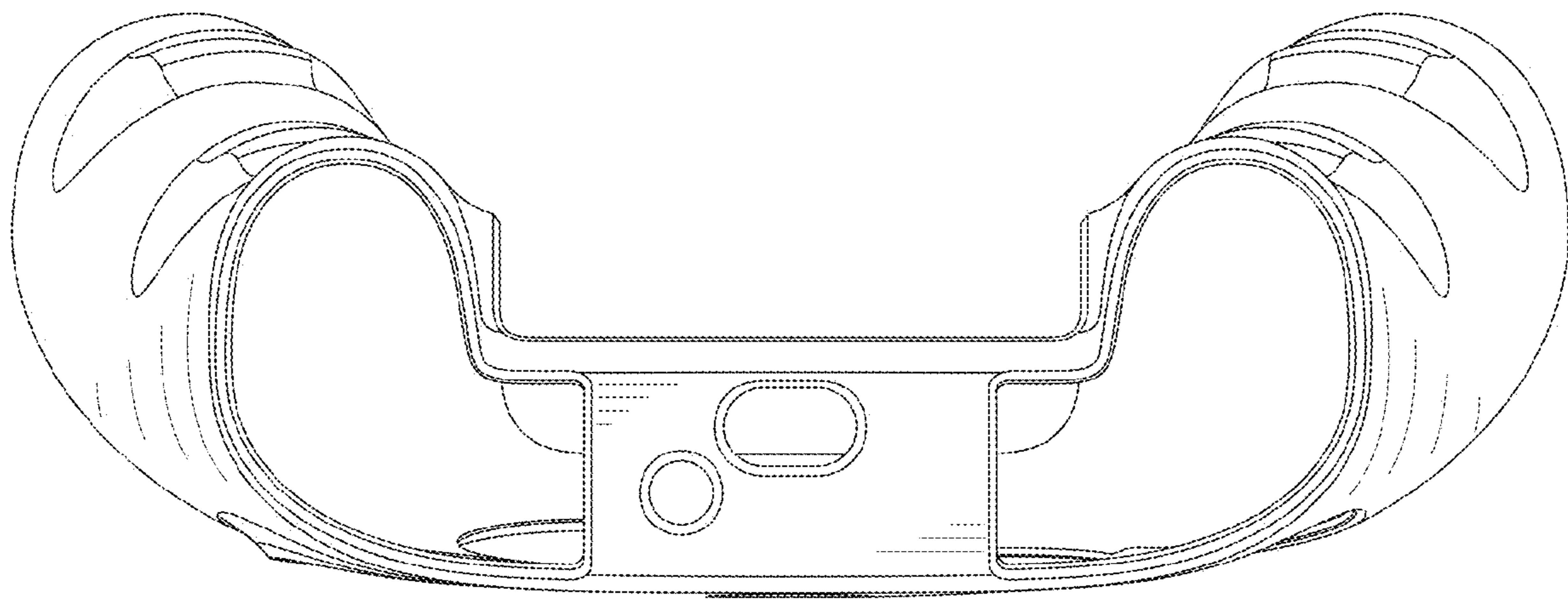


FIG. 7

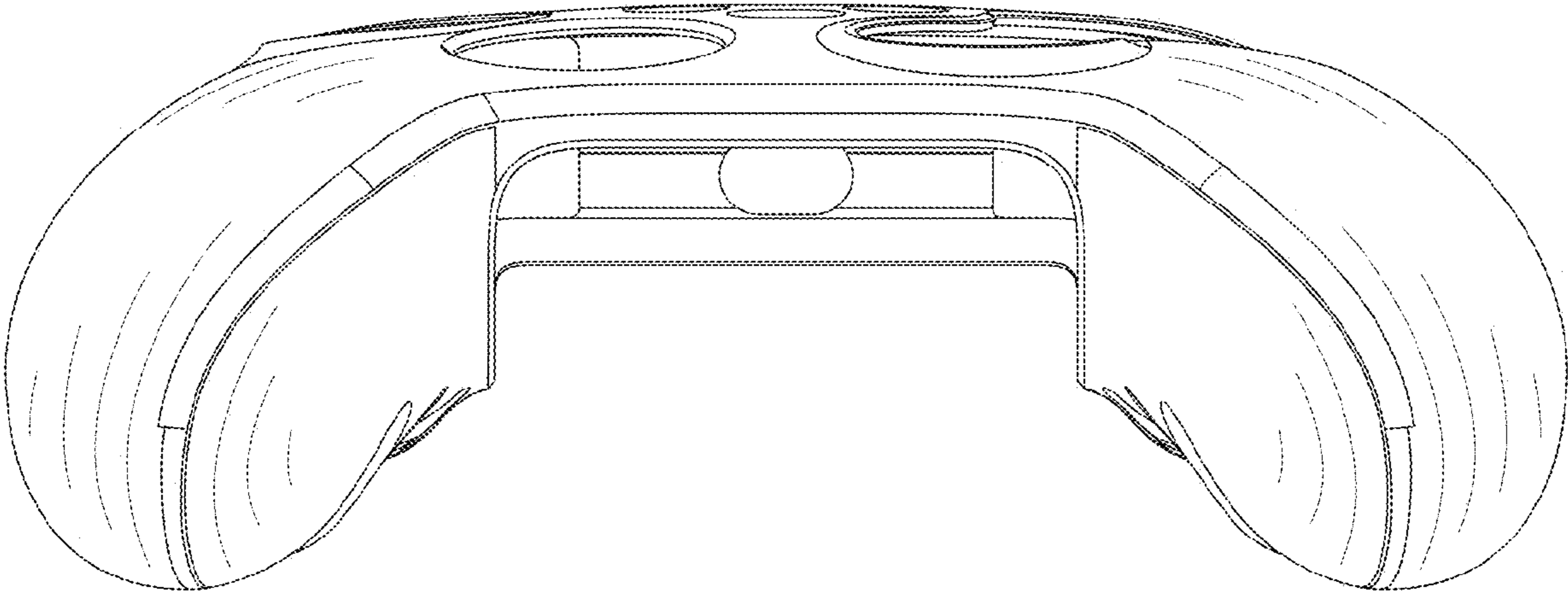


FIG. 8