



US00D923098S

(12) **United States Design Patent**
Zhao

(10) **Patent No.:** **US D923,098 S**
(45) **Date of Patent:** **** Jun. 22, 2021**

(54) **GAME CONTROLLER**

(71) Applicant: **Benyin Zhao**, Mianyang (CN)

(72) Inventor: **Benyin Zhao**, Mianyang (CN)

(**) Term: **15 Years**

(21) Appl. No.: **29/752,498**

(22) Filed: **Sep. 28, 2020**

(51) **LOC (13) Cl.** **21-01**

(52) **U.S. Cl.**
USPC **D21/333**

(58) **Field of Classification Search**
USPC D21/324, 333, 385, 386; D14/218, 356,
D14/387, 388, 389, 390, 399-406,
D14/412-416, 426, 429, 443, 448, 449,
D14/450, 454, 471, 496, 511; D12/174,
D12/177; D13/164-168
CPC A63F 13/00; A63F 13/10; A63F 13/02;
A63F 13/04; A63F 13/06; A63F 13/22;
A63F 13/24; A63F 13/40; A63F 13/98
See application file for complete search history.

(56) **References Cited**

U.S. PATENT DOCUMENTS

D478,590 S	8/2003	Hussaini	
D692,001 S	* 10/2013	Ibuki	D14/401
D712,970 S	* 9/2014	Biheller	D21/330
D794,717 S	* 8/2017	Kujawski	D21/333
D816,674 S	* 5/2018	Wu	D14/401

D855,703 S	* 8/2019	Chatterjee	D21/333
D856,334 S	8/2019	Salter	
D870,817 S	* 12/2019	Yeung	D21/333
D872,184 S	* 1/2020	Chatterjee	D21/333
D875,835 S	2/2020	Yamamoto	
D881,281 S	* 4/2020	Tong	D21/333
D894,281 S	* 8/2020	Wang	D21/333
D897,441 S	* 9/2020	Yang	D21/333
D905,168 S	* 12/2020	Chatterjee	D21/333
D907,706 S	* 1/2021	Yang	D21/333
D909,483 S	* 2/2021	Whitaker	D21/333

* cited by examiner

Primary Examiner — Sandra Snapp
Assistant Examiner — Mehri Bajoul

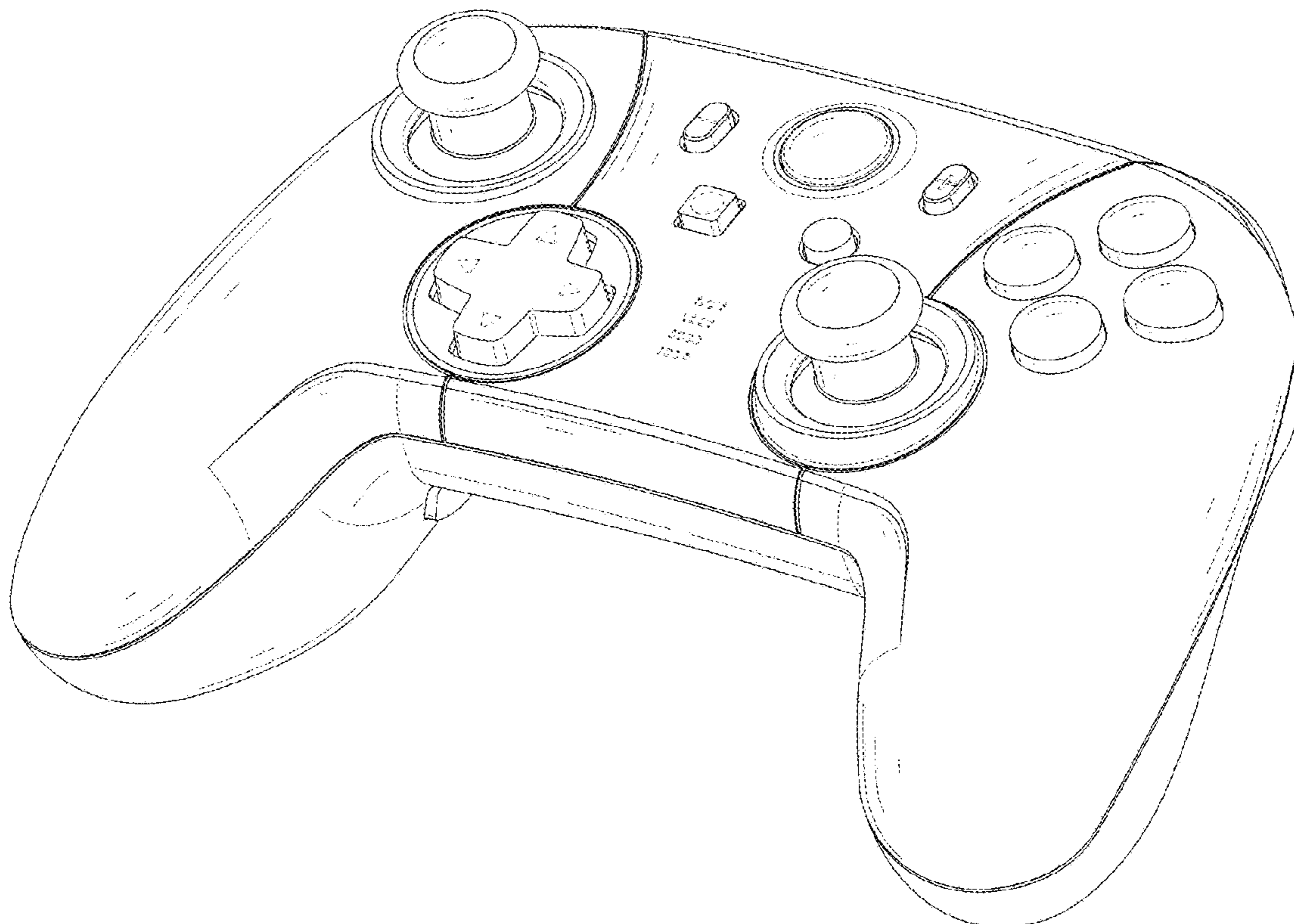
(57) **CLAIM**

The ornamental design for a game controller, as shown and described.

DESCRIPTION

FIG. 1 is a perspective view of a game controller showing my new design;
FIG. 2 is another perspective view thereof;
FIG. 3 is a front elevational view thereof
FIG. 4 is a rear elevational view thereof;
FIG. 5 is a left side elevational view thereof;
FIG. 6 is a right side elevational view thereof;
FIG. 7 is a top plan view thereof; and,
FIG. 8 is a bottom plan view thereof.
The broken lines in the drawings depict portions of the game controller that form no part of the claimed design.

1 Claim, 8 Drawing Sheets



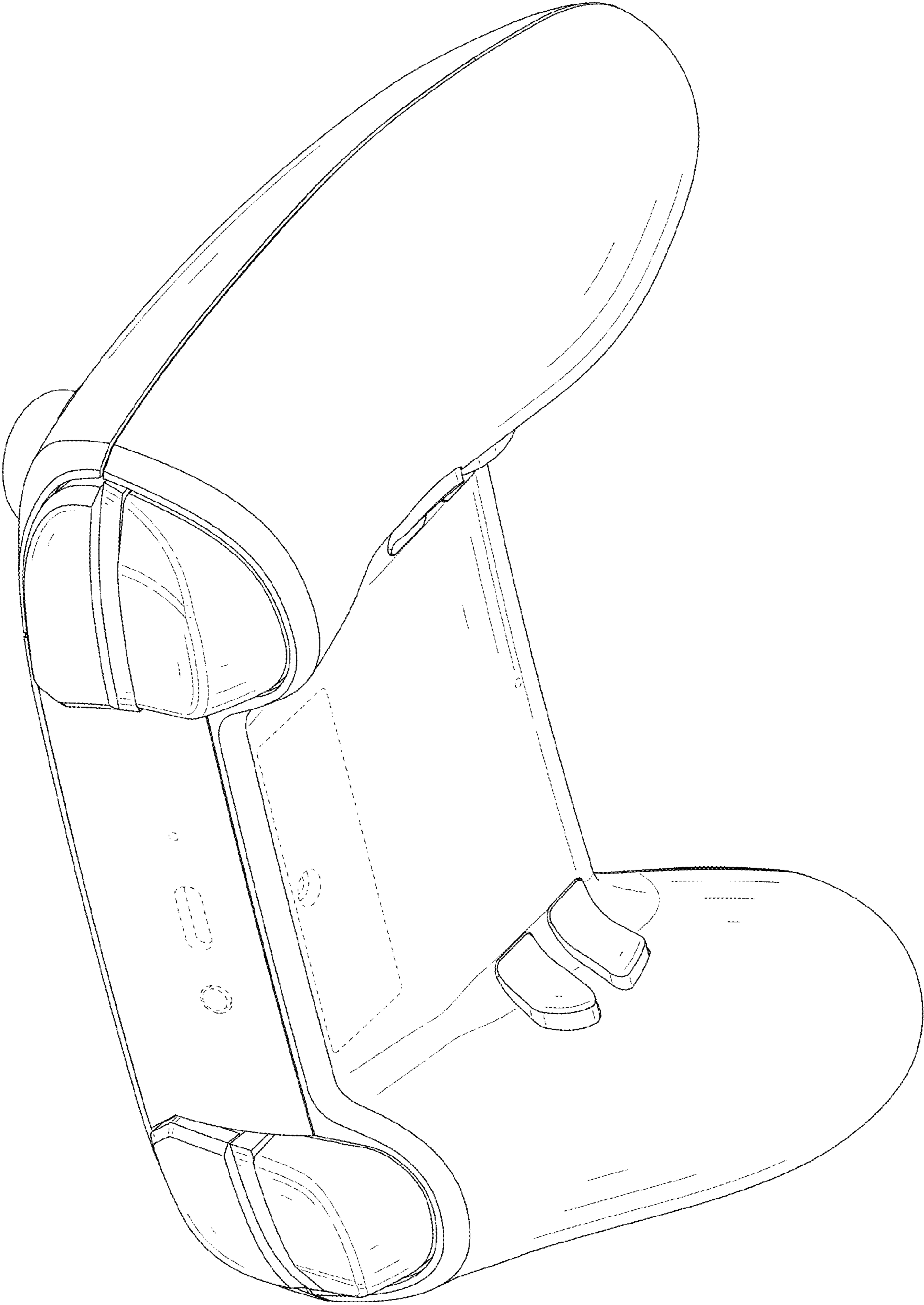


FIG. 1

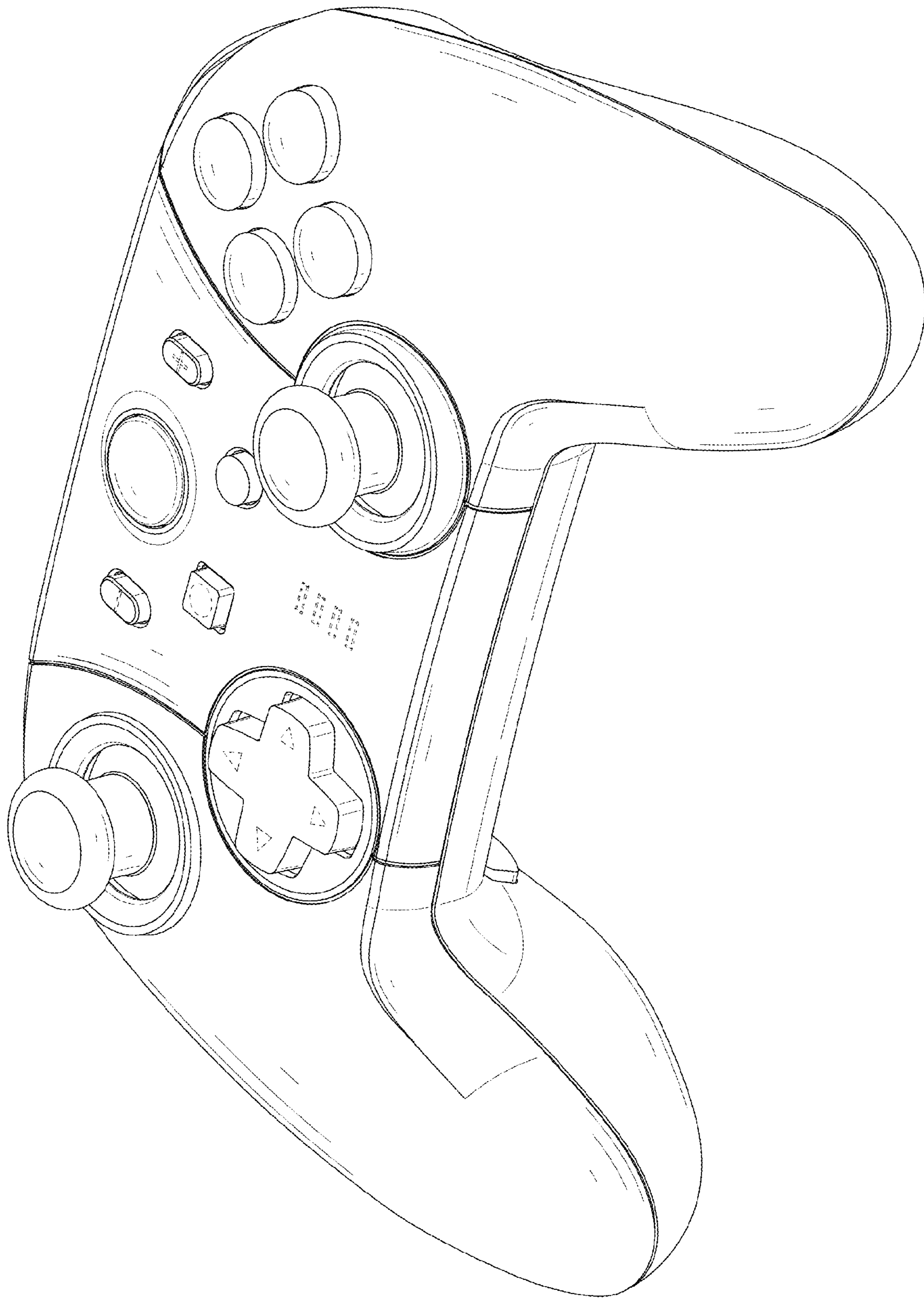


FIG. 2

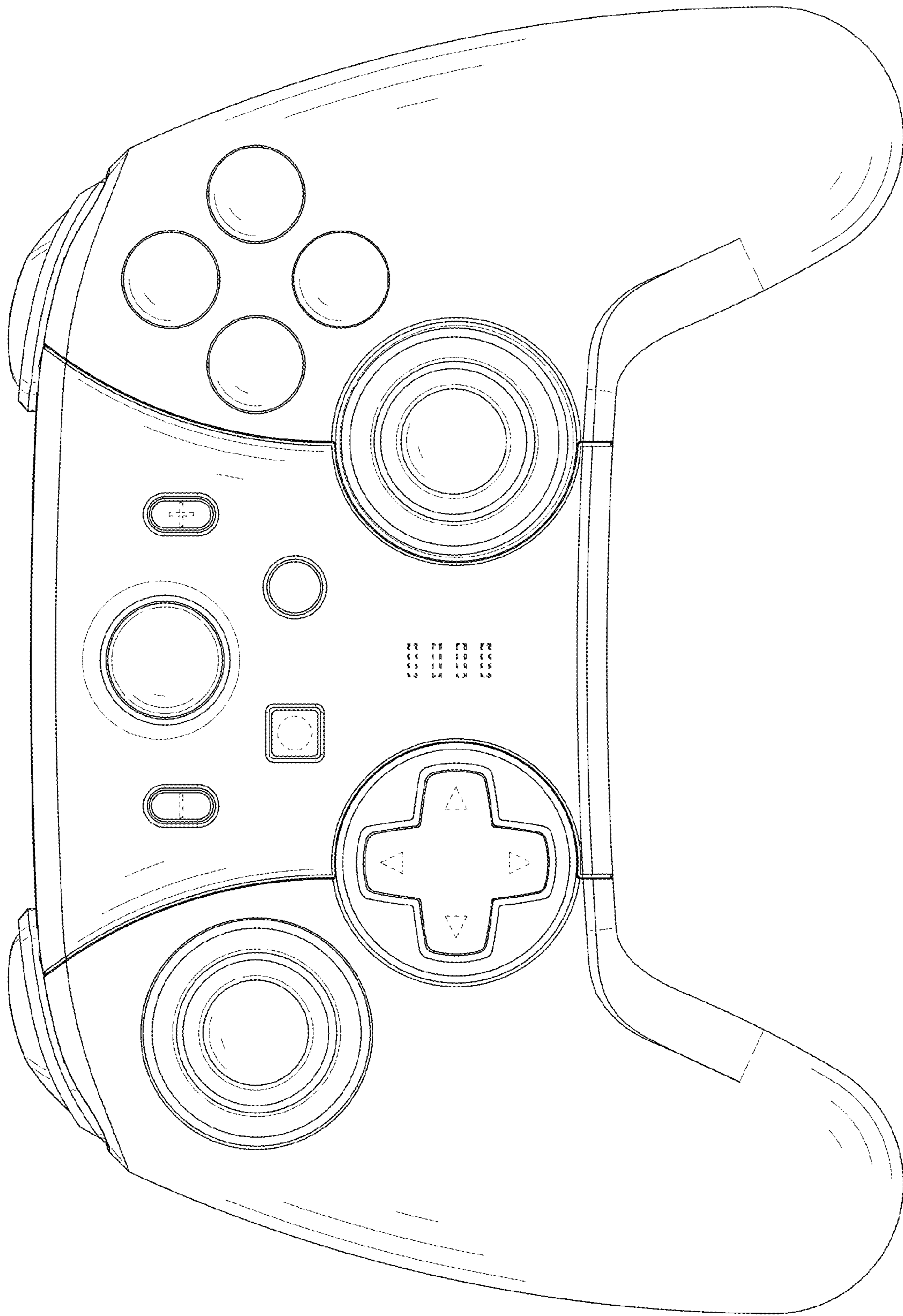


FIG. 3

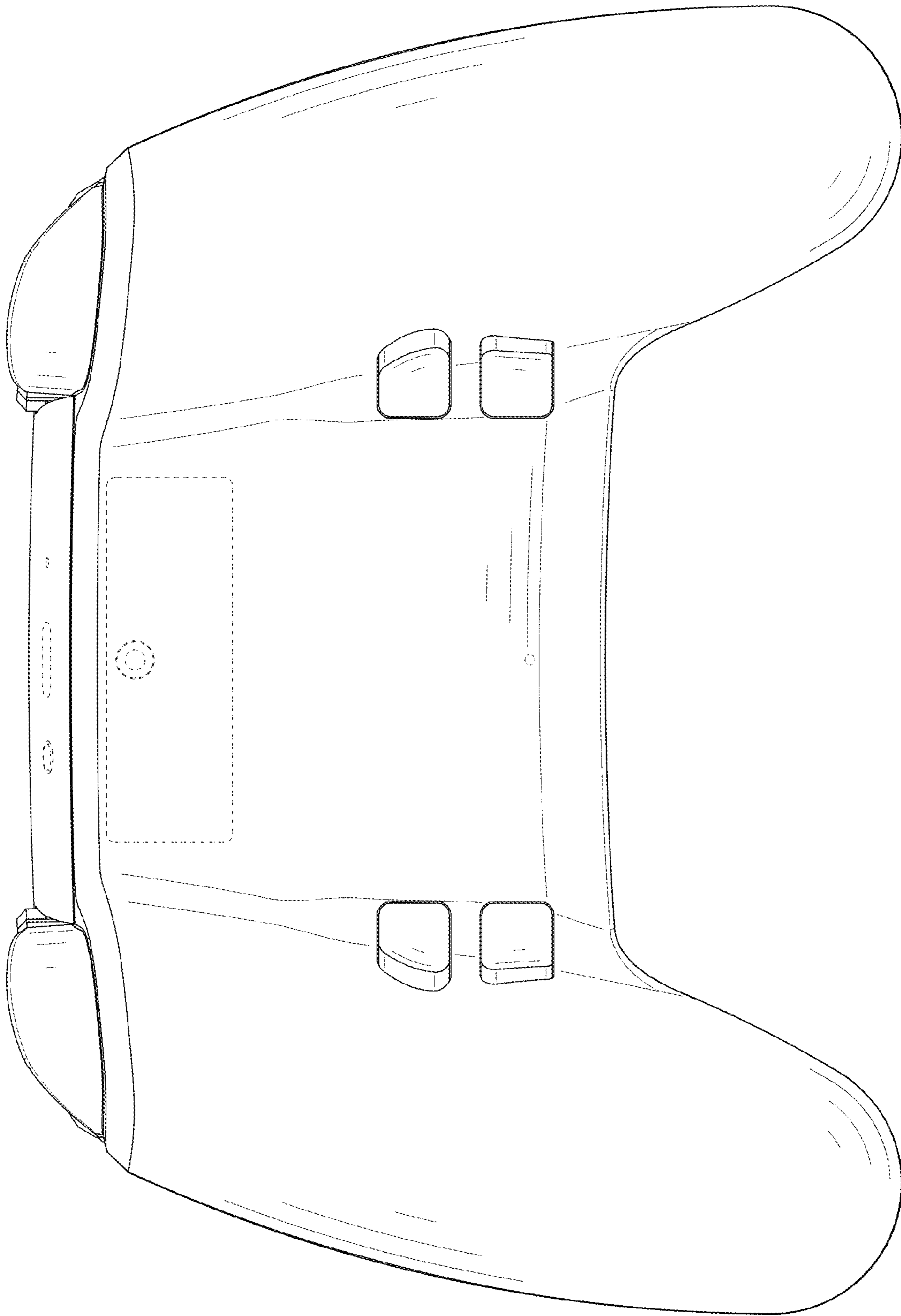


FIG. 4

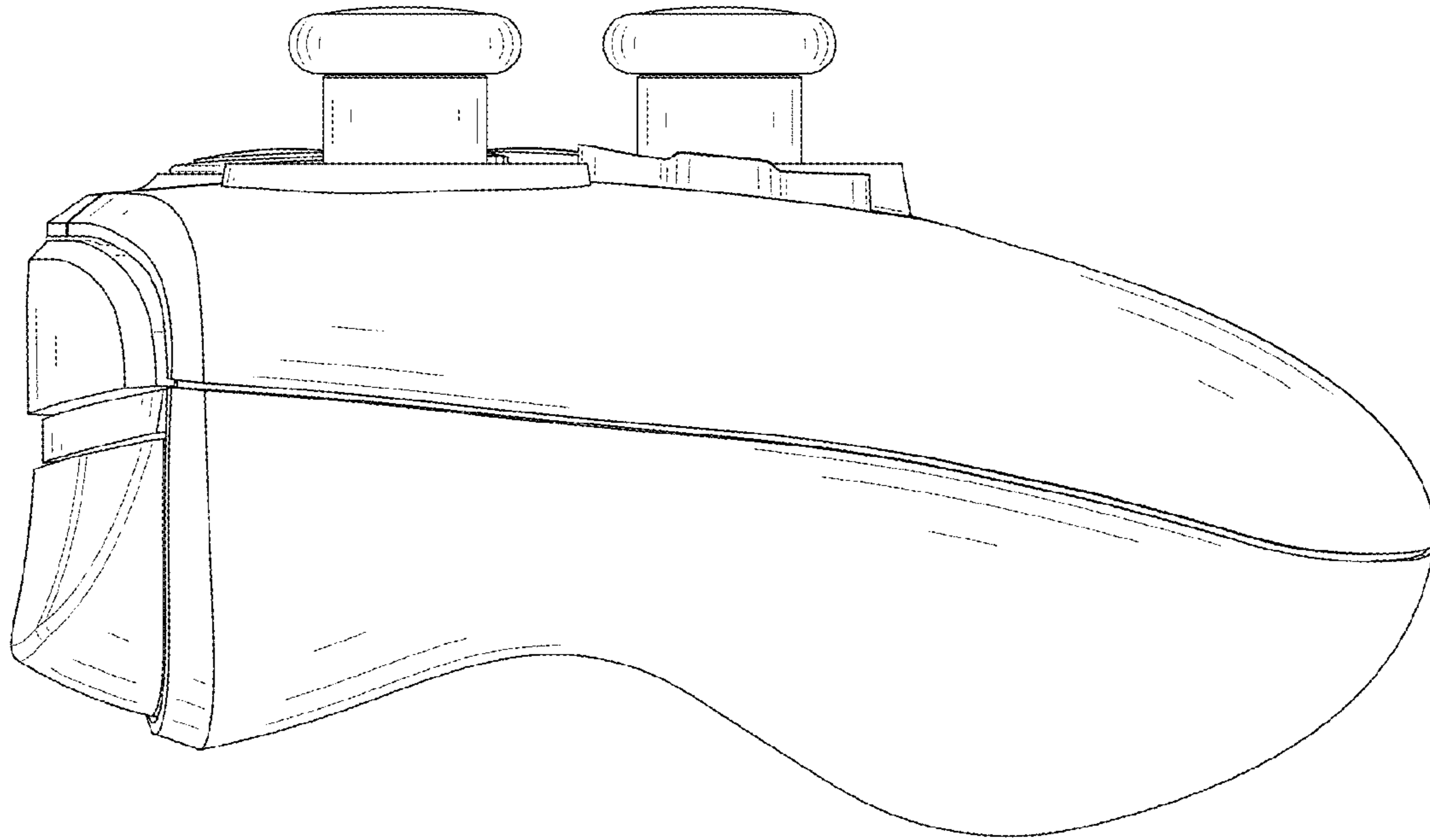


FIG. 5

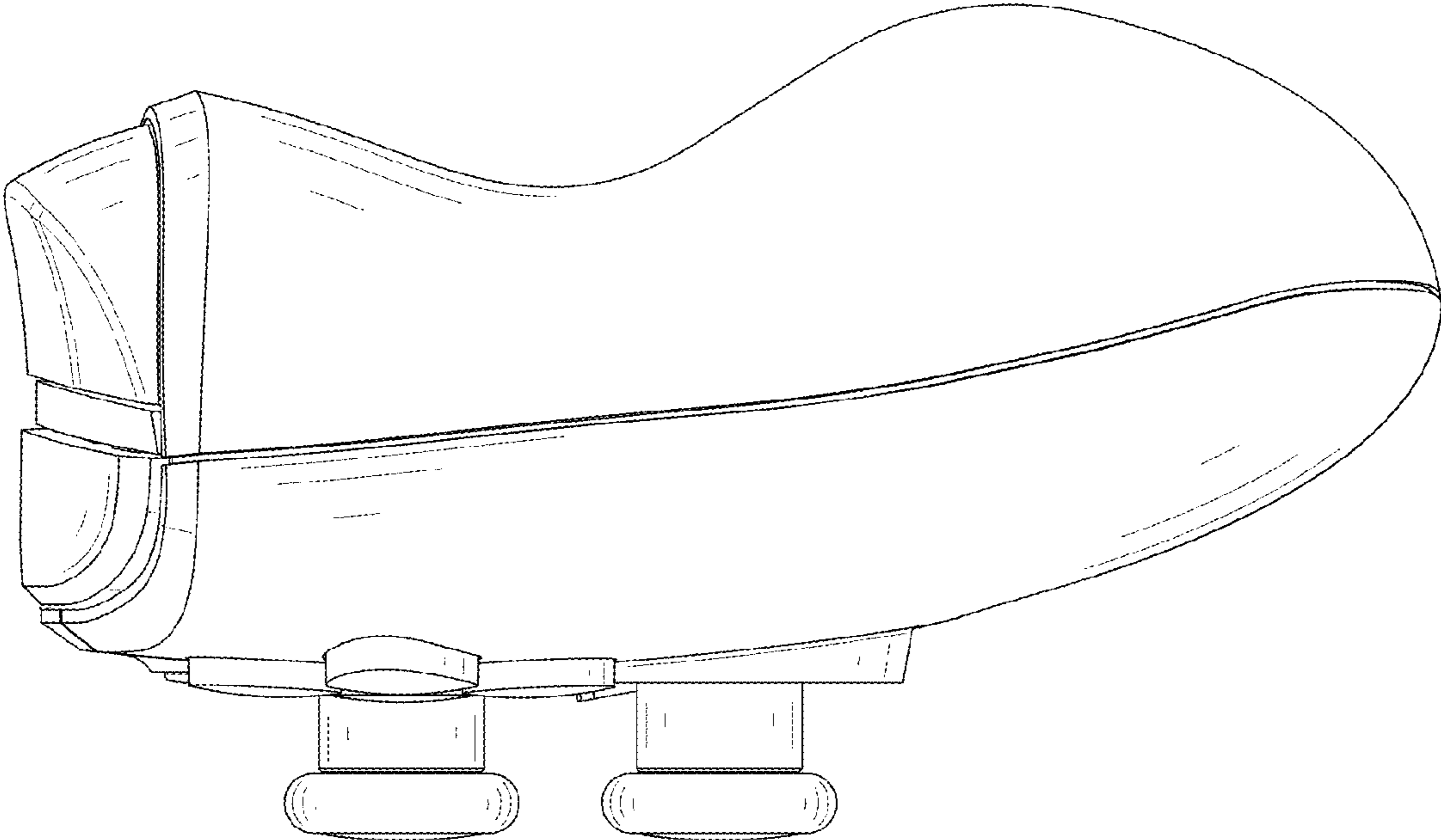


FIG. 6

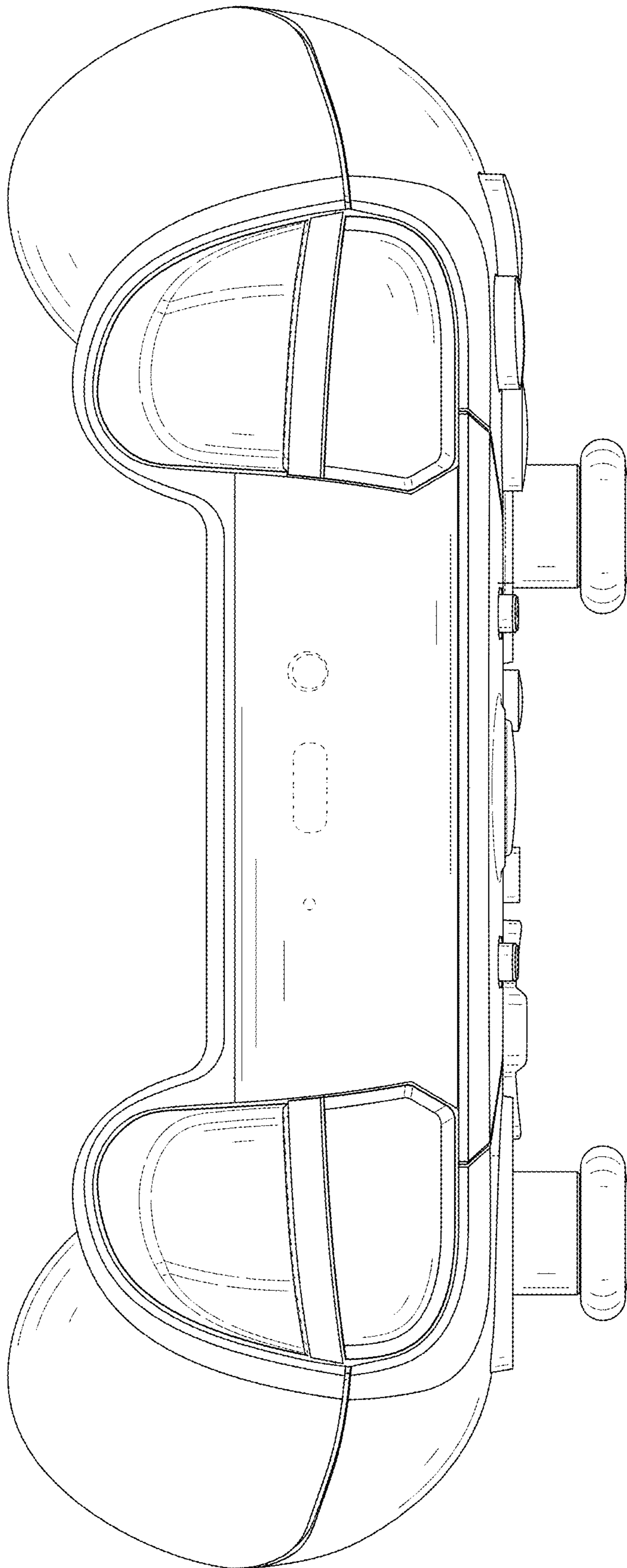


FIG. 7

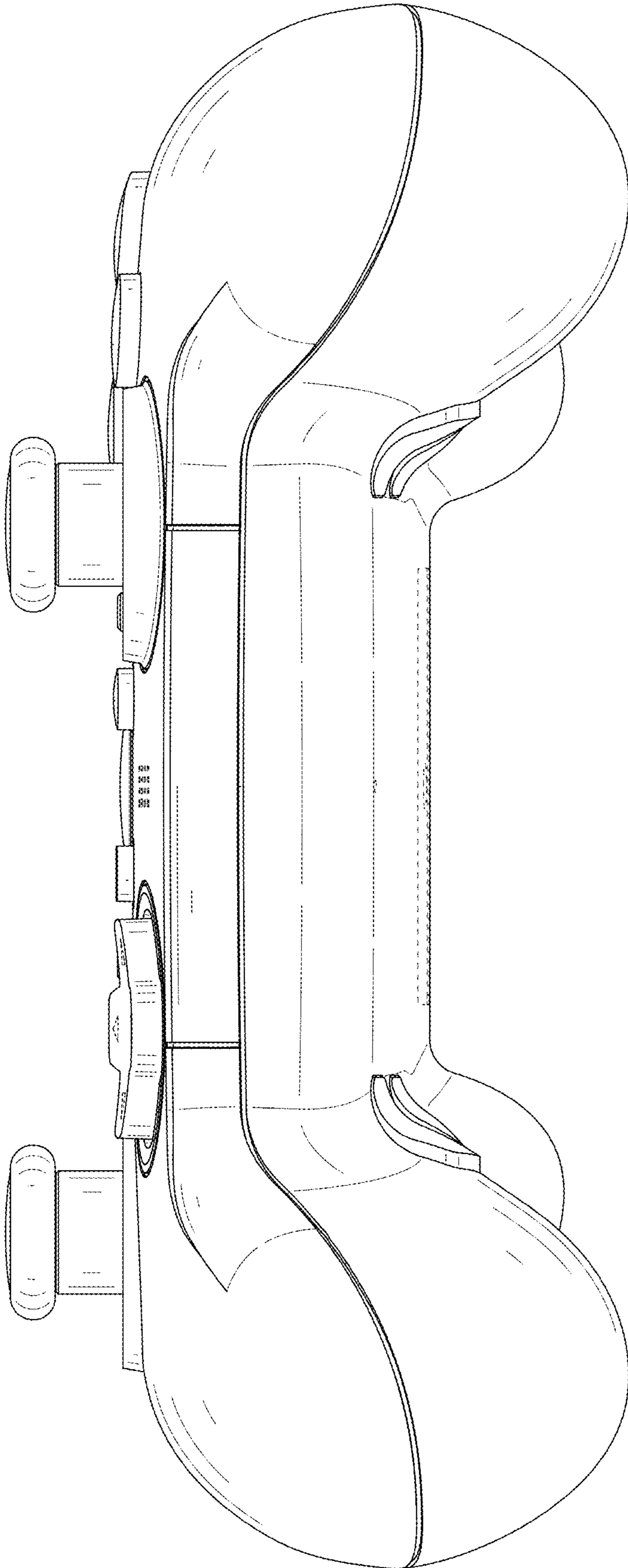


FIG. 8