



US00D923096S

(12) **United States Design Patent** (10) **Patent No.:** **US D923,096 S**  
**Nash** (45) **Date of Patent:** **\*\* Jun. 22, 2021**

(54) **ARCHERY DART BOARD**

(71) Applicant: **Fredrick T. Nash**, Murrells Inlet, SC (US)  
(72) Inventor: **Fredrick T. Nash**, Murrells Inlet, SC (US)

(\*\*) Term: **15 Years**

(21) Appl. No.: **29/694,912**

(22) Filed: **Jun. 14, 2019**

(51) **LOC (13) Cl.** ..... **21-01**

(52) **U.S. Cl.**  
USPC ..... **D21/302**

(58) **Field of Classification Search**  
USPC ..... D21/300, 306, 334, 335, 363, 365, 370, D21/385-389, 392, 397; D10/46.1  
CPC ..... A63B 71/06; A63B 71/0608; F41J 3/00; F41J 3/0009; F41J 3/0014; F41J 3/0033-0057

See application file for complete search history.

(56) **References Cited**

**U.S. PATENT DOCUMENTS**

D370,259 S *	5/1996	Teich	.....	D21/306
5,540,446 A *	7/1996	Felsen	.....	F41J 3/00 273/403
D382,599 S *	8/1997	Starrett	.....	D21/306
D713,888 S *	9/2014	Steele	.....	A63B 63/08 D21/308
2007/0228659 A1 *	10/2007	Yiu	.....	F41J 5/04 273/408
2010/0320692 A1 *	12/2010	Tookey	.....	A63B 63/08 273/398
2012/0248702 A1 *	10/2012	Kim	.....	F41J 3/00 273/348.3
2013/0154191 A1 *	6/2013	Laporte	.....	F41J 3/0004 273/365

**OTHER PUBLICATIONS**

ArcheryDartboard, Feb. 14, 2012, published on YouTube.com. Retrieved from the internet on Feb. 12, 2021. <URL: https://youtu.be/s-lty9iMrBk> (Year: 2012).\*

\* cited by examiner

*Primary Examiner* — George D. Kirschbaum  
*Assistant Examiner* — Joseph J Kukella  
(74) *Attorney, Agent, or Firm* — Burr & Forman LLP;  
Douglas L. Lineberry

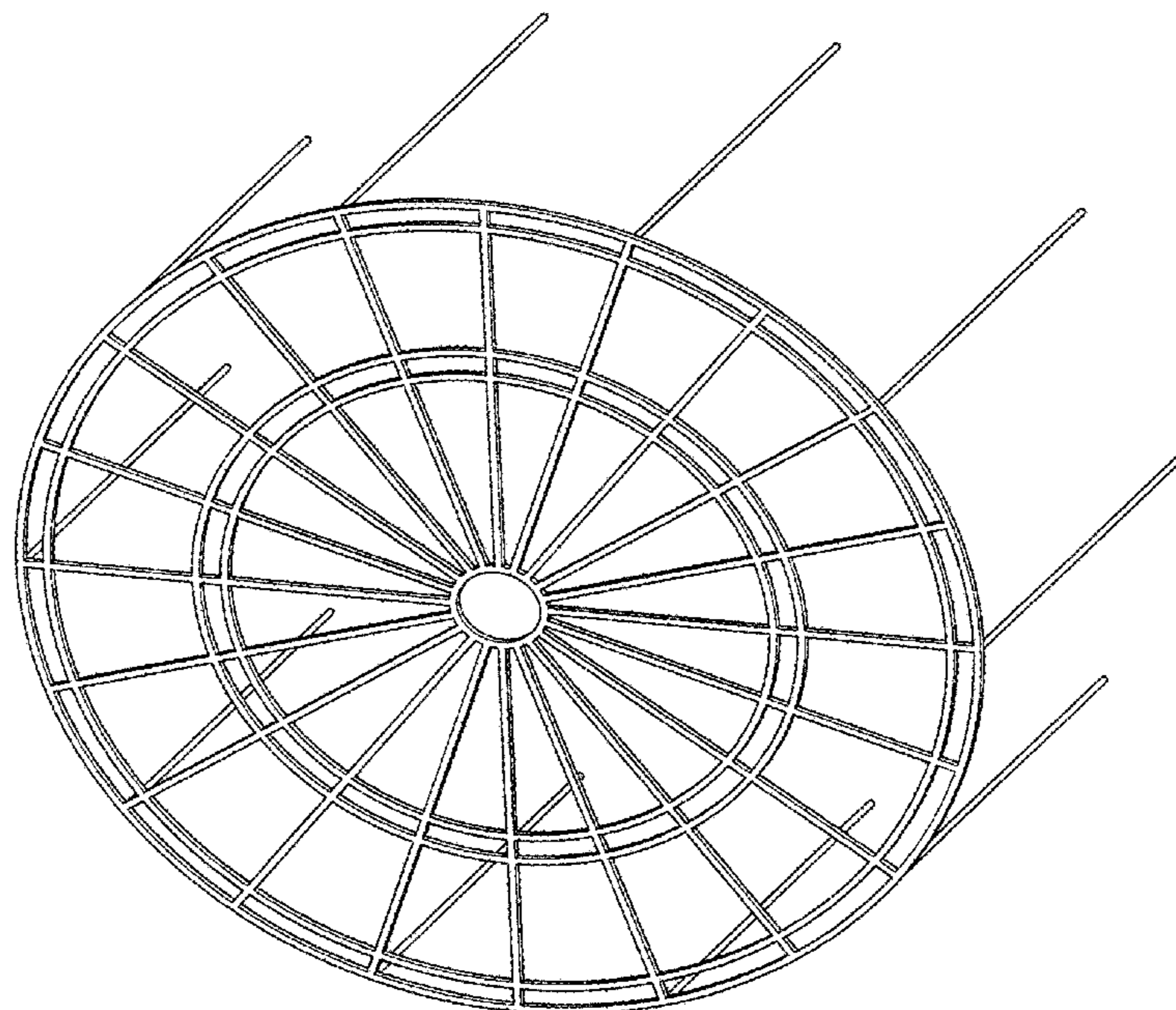
(57) **CLAIM**

The ornamental design for an archery dart board, as shown and described.

**DESCRIPTION**

FIG. 1 is a front top perspective view of the archery dart board;  
FIG. 2 is a front view of the archery dart board;  
FIG. 3 is a back view of the archery dart board;  
FIG. 4 is a left side view of the archery dart board;  
FIG. 5 is a right side view mirror exact of the archery dart board;  
FIG. 6 is a top view of the archery dart board;  
FIG. 7 is a bottom view mirror exact of the archery dart board;  
FIG. 8 is a first front perspective in an environment of use; and,  
FIG. 9 is a second front perspective view in an environment of use.  
In the drawings the broken lines depict environmental subject matter that forms no part of the claimed design.

**1 Claim, 6 Drawing Sheets**



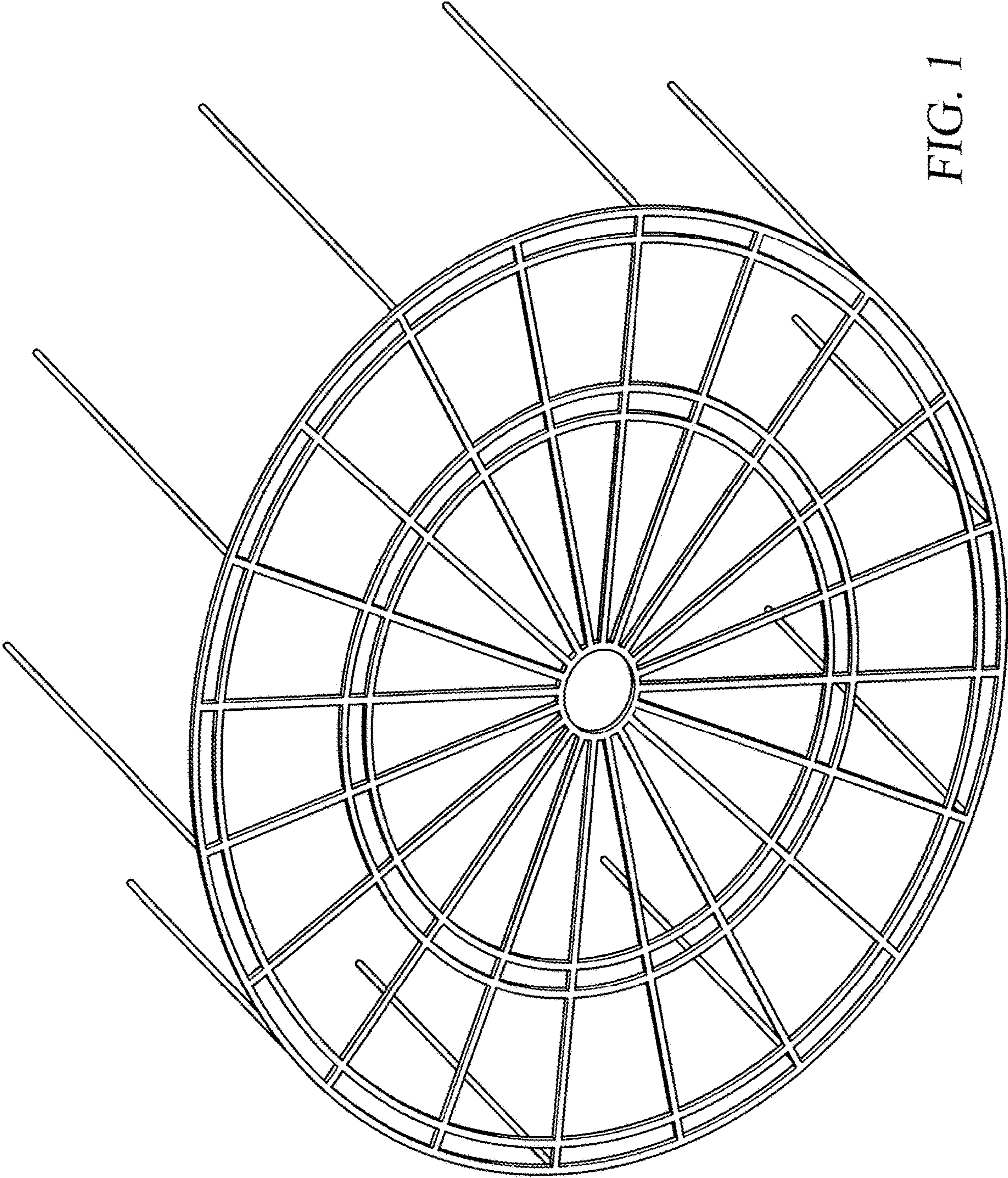


FIG. 1

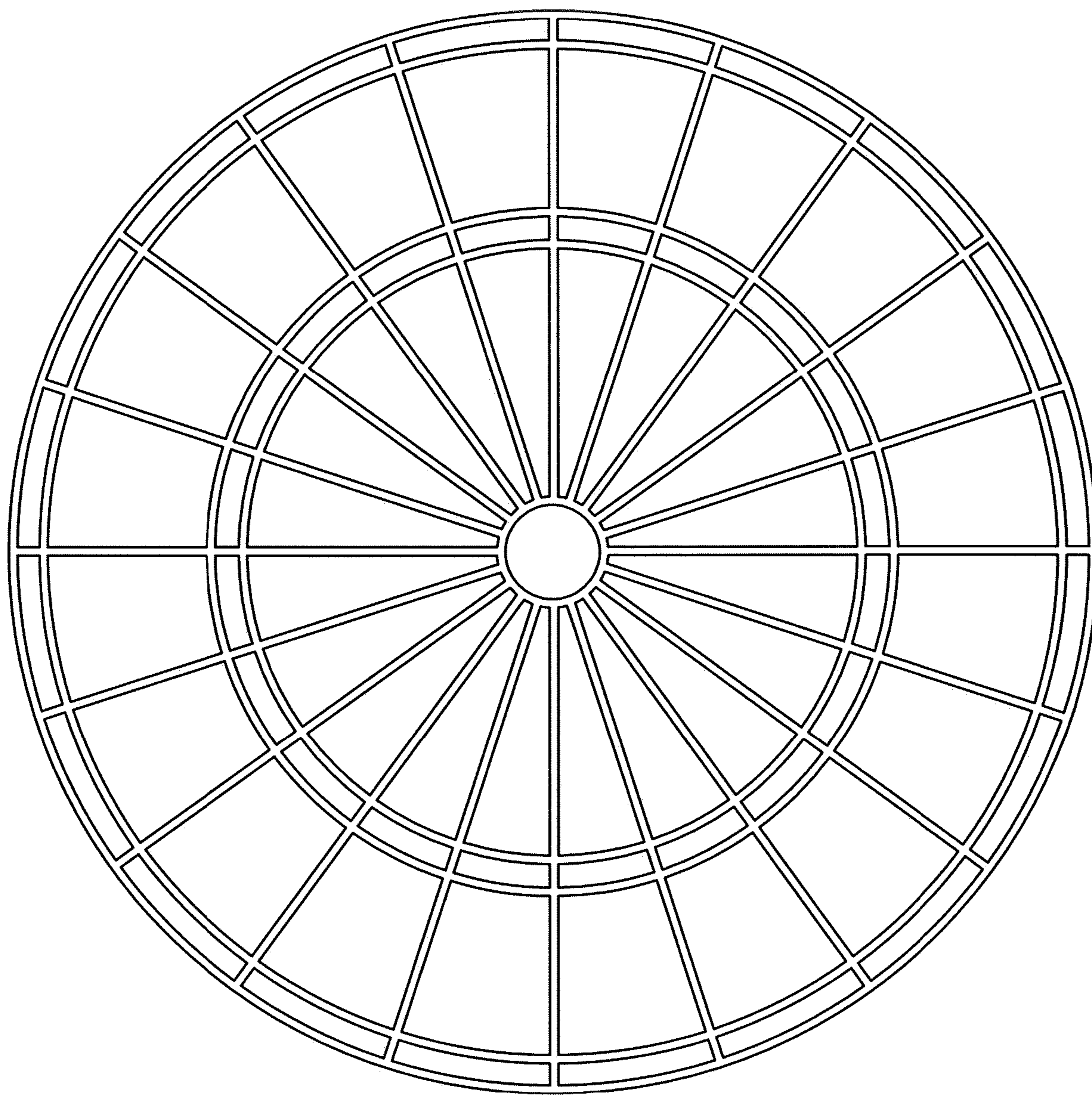


FIG. 2

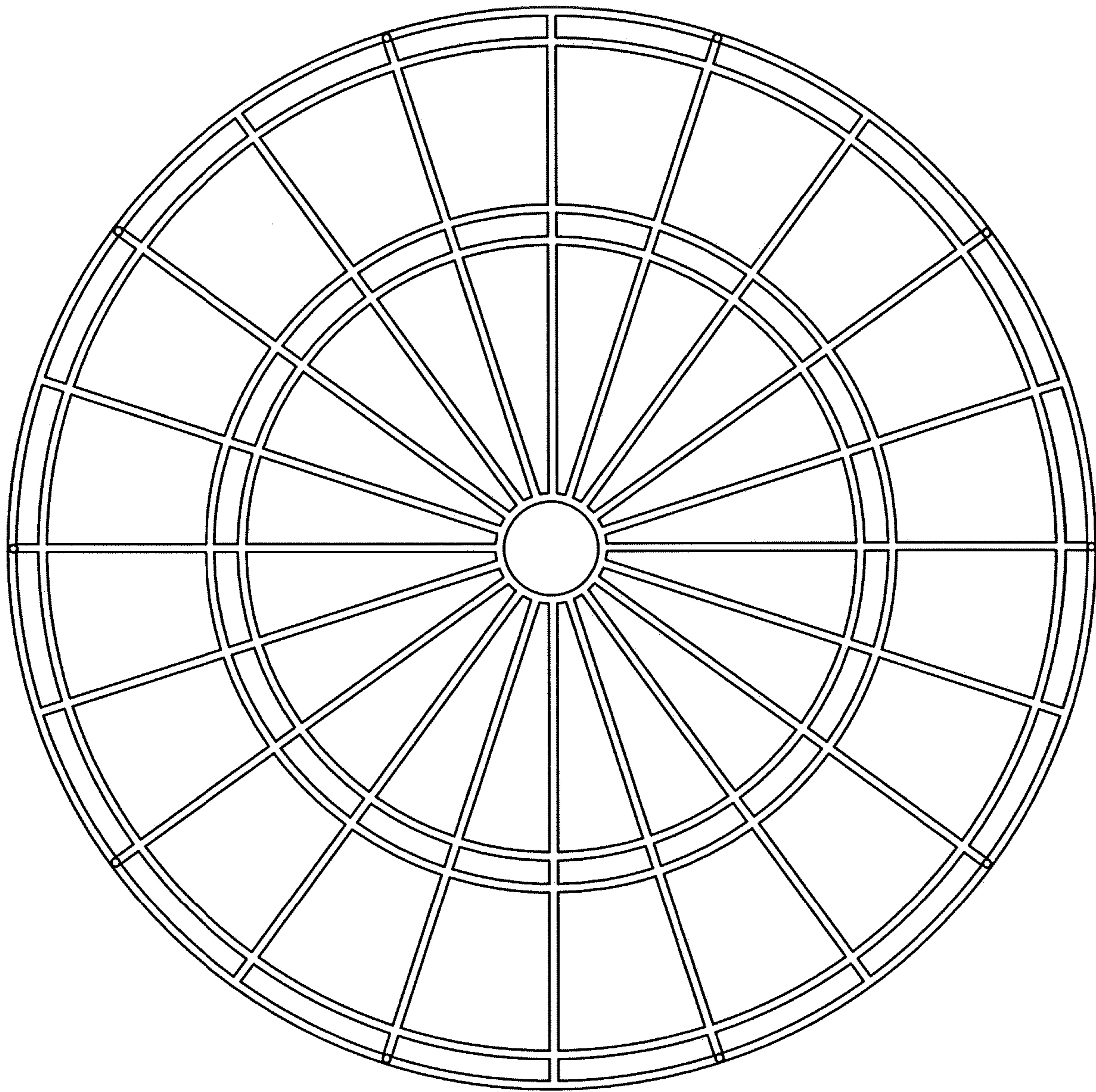


FIG. 3

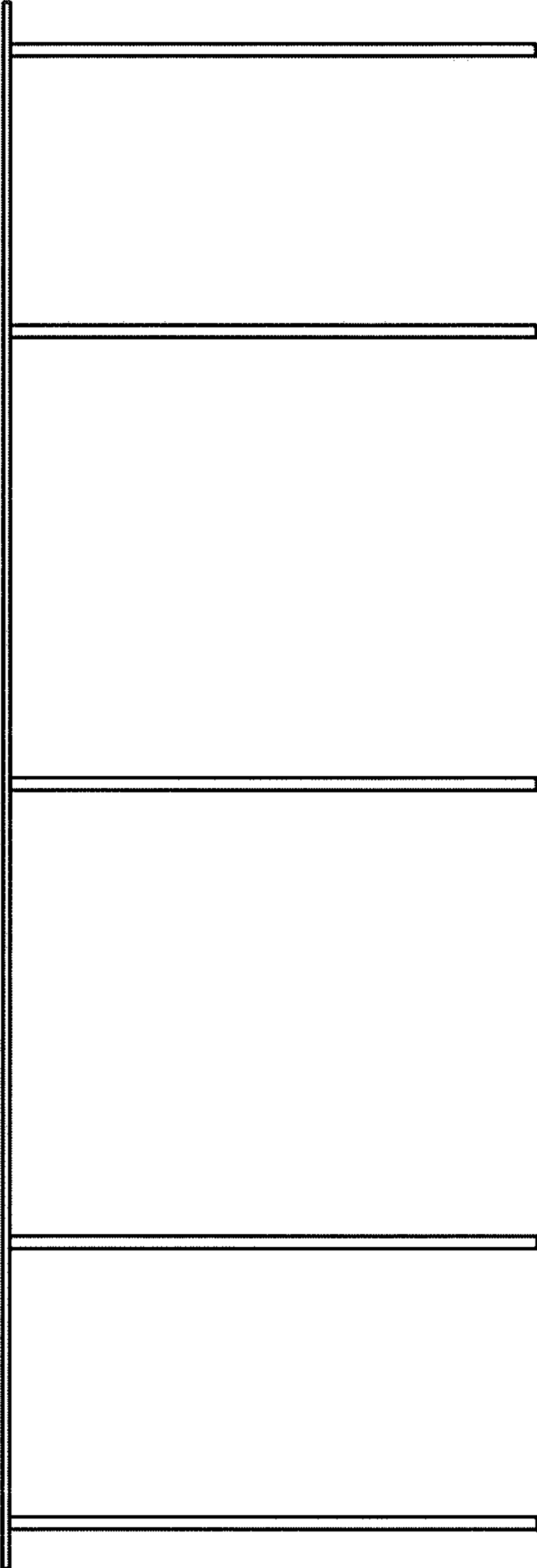


FIG. 4

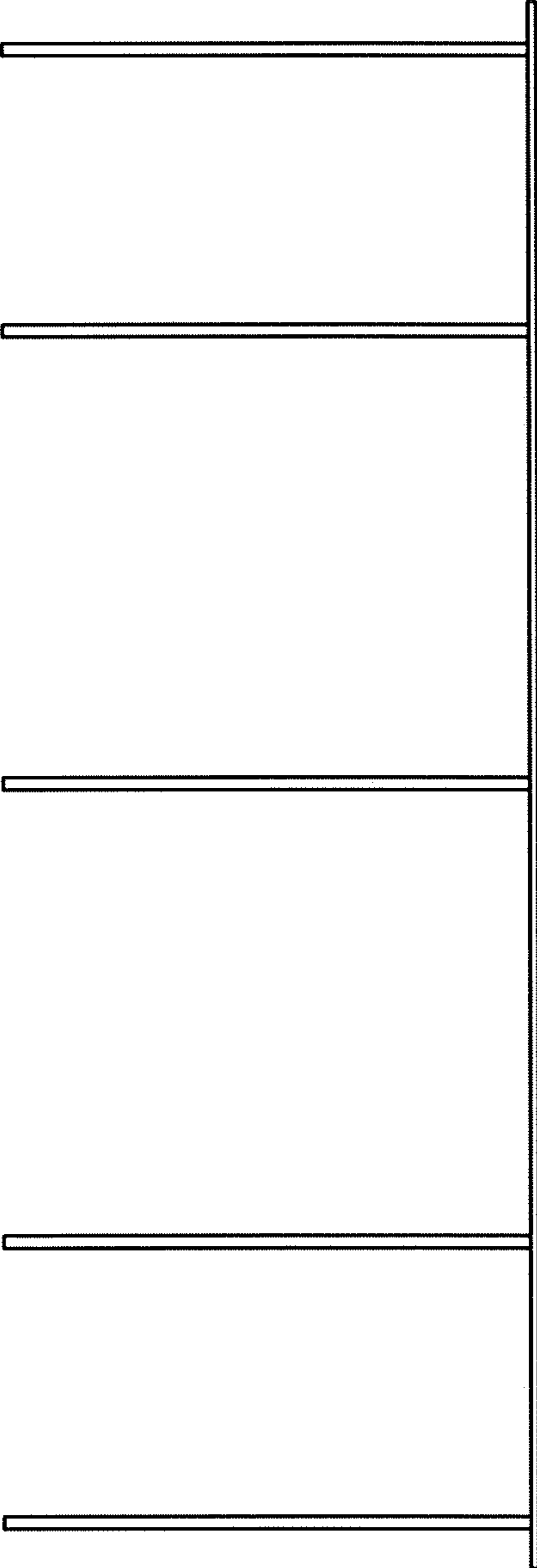


FIG. 5

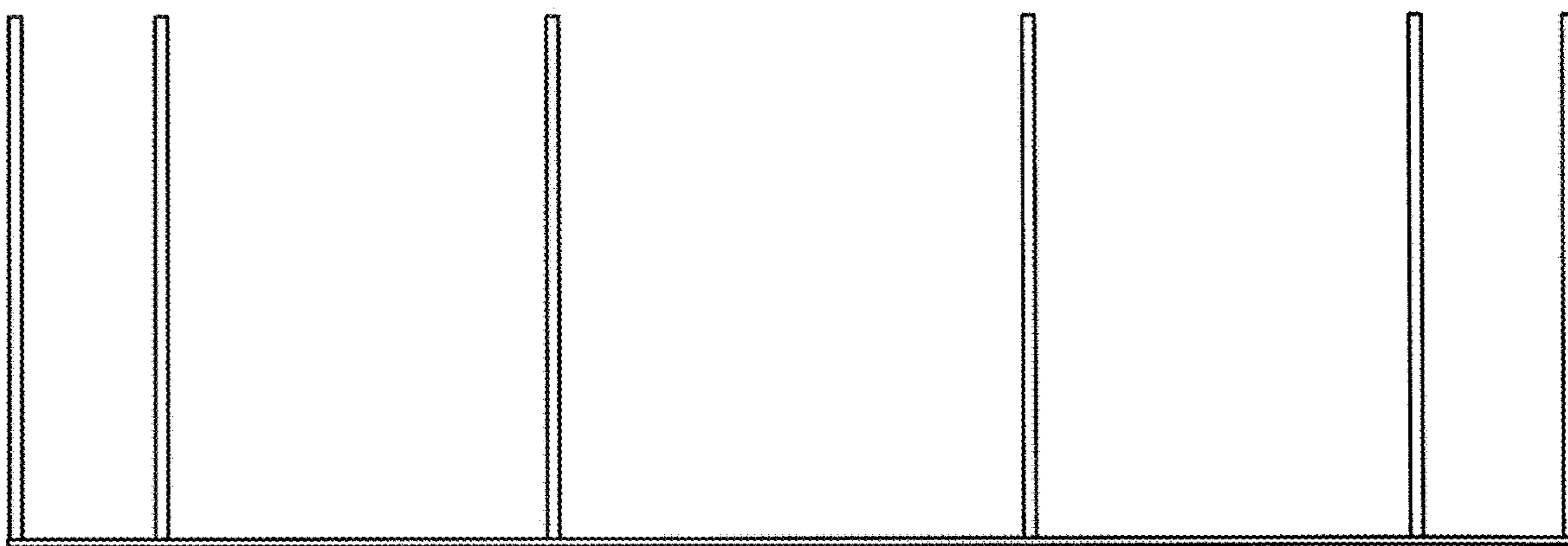


FIG. 6

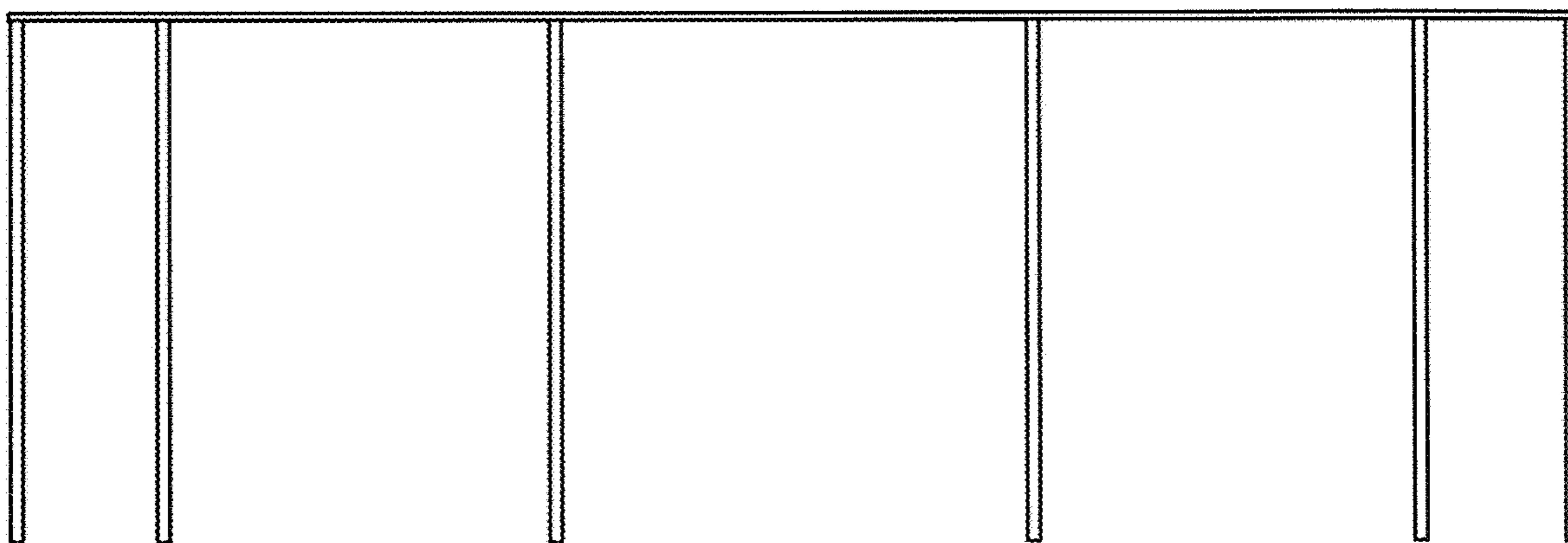


FIG. 7

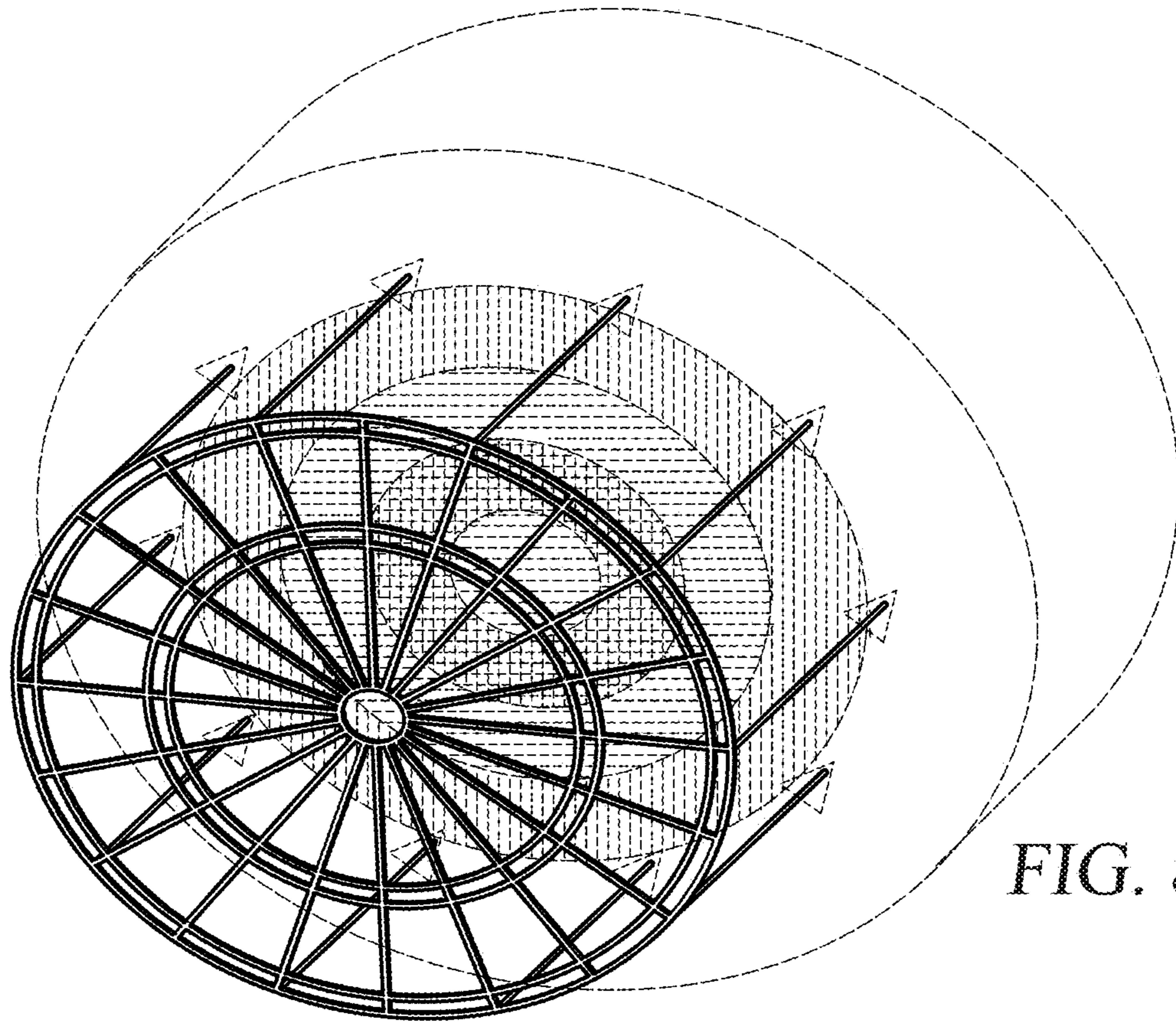


FIG. 8

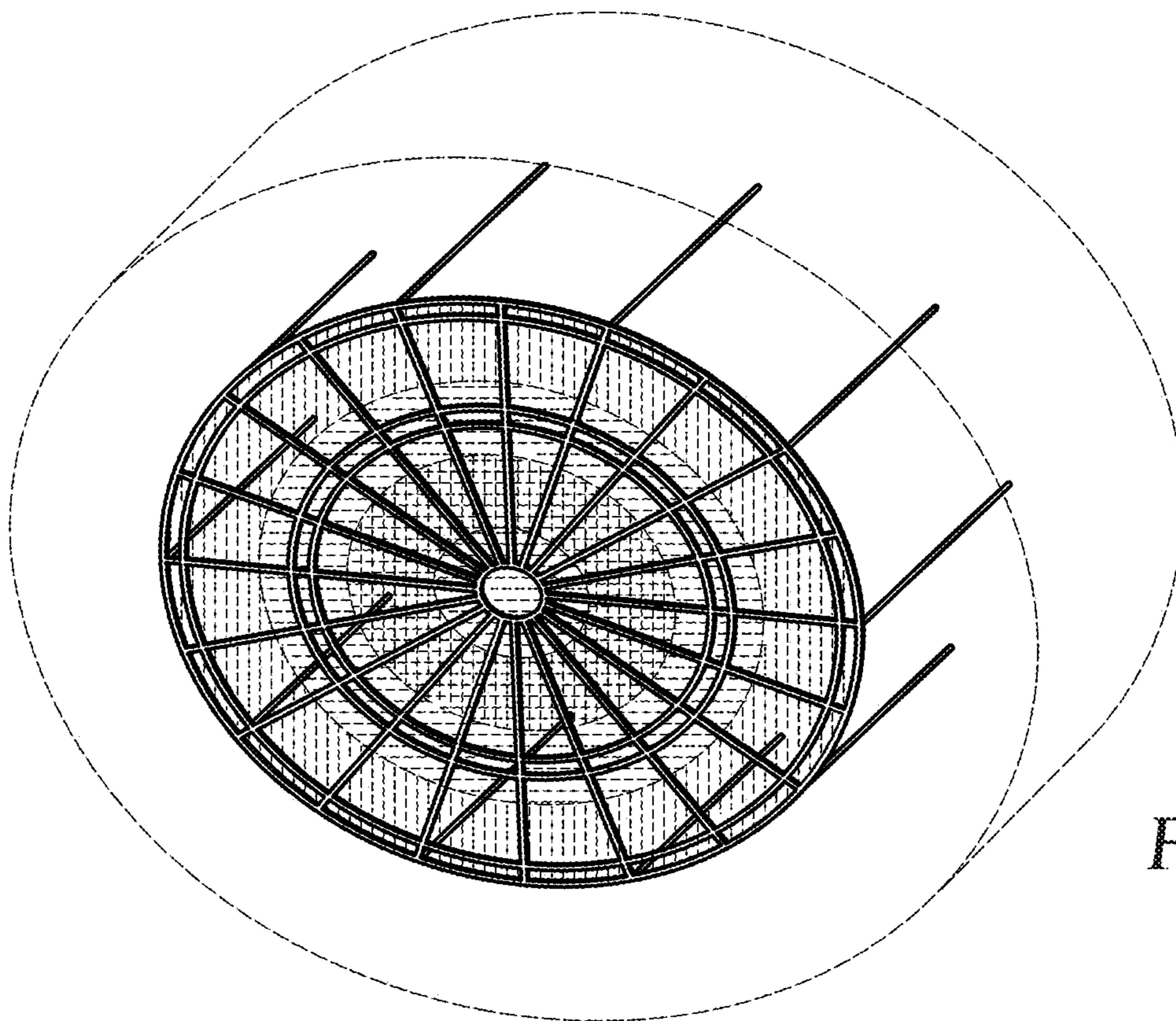


FIG. 9