



US00D923089S

(12) **United States Design Patent**
Zheng

(10) **Patent No.:** **US D923,089 S**

(45) **Date of Patent:** **** Jun. 22, 2021**

(54) **DIAMOND PAINTING PLATE**

(71) Applicant: **Shenzhen Linsky Intelligent Control Technology Co., Ltd, Shenzhen (CN)**

(72) Inventor: **Xingjia Zheng, Shenzhen (CN)**

(**) Term: **15 Years**

(21) Appl. No.: **29/743,631**

(22) Filed: **Jul. 23, 2020**

(51) **LOC (13) Cl.** **19-06**

(52) **U.S. Cl.**
USPC **D19/103**

(58) **Field of Classification Search**
USPC D19/102-107; D7/553.2, 553.3, 553.4,
D7/555.5; D28/76-84
CPC B44D 2/002; B44D 3/02; B44D 3/04
See application file for complete search history.

(56) **References Cited**

U.S. PATENT DOCUMENTS

- D55,496 S * 6/1920 White D7/590
- 2,221,191 A * 11/1940 James B44D 3/04
206/1.8
- D153,339 S * 4/1949 Deckinger D19/106
- 3,305,124 A * 2/1967 Whiteford A47G 23/06
206/564
- 3,342,397 A * 9/1967 Duitsman B65D 1/36
229/406
- 3,478,457 A * 11/1969 Watkins G09F 11/23
40/324
- D300,540 S * 4/1989 Salis D19/106
- 4,901,850 A * 2/1990 McIntosh B44D 3/02
206/1.7
- D311,210 S * 10/1990 Bottcher D19/103
- D358,841 S * 5/1995 Ascone D19/103
- D381,515 S * 7/1997 Haynes D24/224
- D383,943 S * 9/1997 Boley D7/353
- D396,954 S * 8/1998 Iversen D19/75
- D396,955 S * 8/1998 Iversen D19/75

- D396,956 S * 8/1998 Iversen D19/75
- D441,192 S * 5/2001 Park D3/294
- D457,687 S * 5/2002 Millar D28/77
- D488,965 S * 4/2004 Schuler D7/553.4
- D576,208 S 9/2008 Quercetti
- D606,774 S * 12/2009 Kohli D6/406.6
- 9,486,294 B2 * 11/2016 Ghosh A61B 50/13
- D804,575 S 12/2017 Pan
- D810,679 S * 2/2018 Patton D13/108
- D820,623 S * 6/2018 Akana D6/682.4
- D828,447 S 9/2018 Cohen

(Continued)

OTHER PUBLICATIONS

Diamond Painting Tools and Accessories Drill Tray Organizer, by SZLTZK, 314 ratings, Manufacturer Tophoolink Technology, Part No. HL 18071, ASIN: B087BSH13K, online on Amazon.com, Date First Available: Apr. 20, 2020.*

(Continued)

Primary Examiner — Elizabeth A. Albert

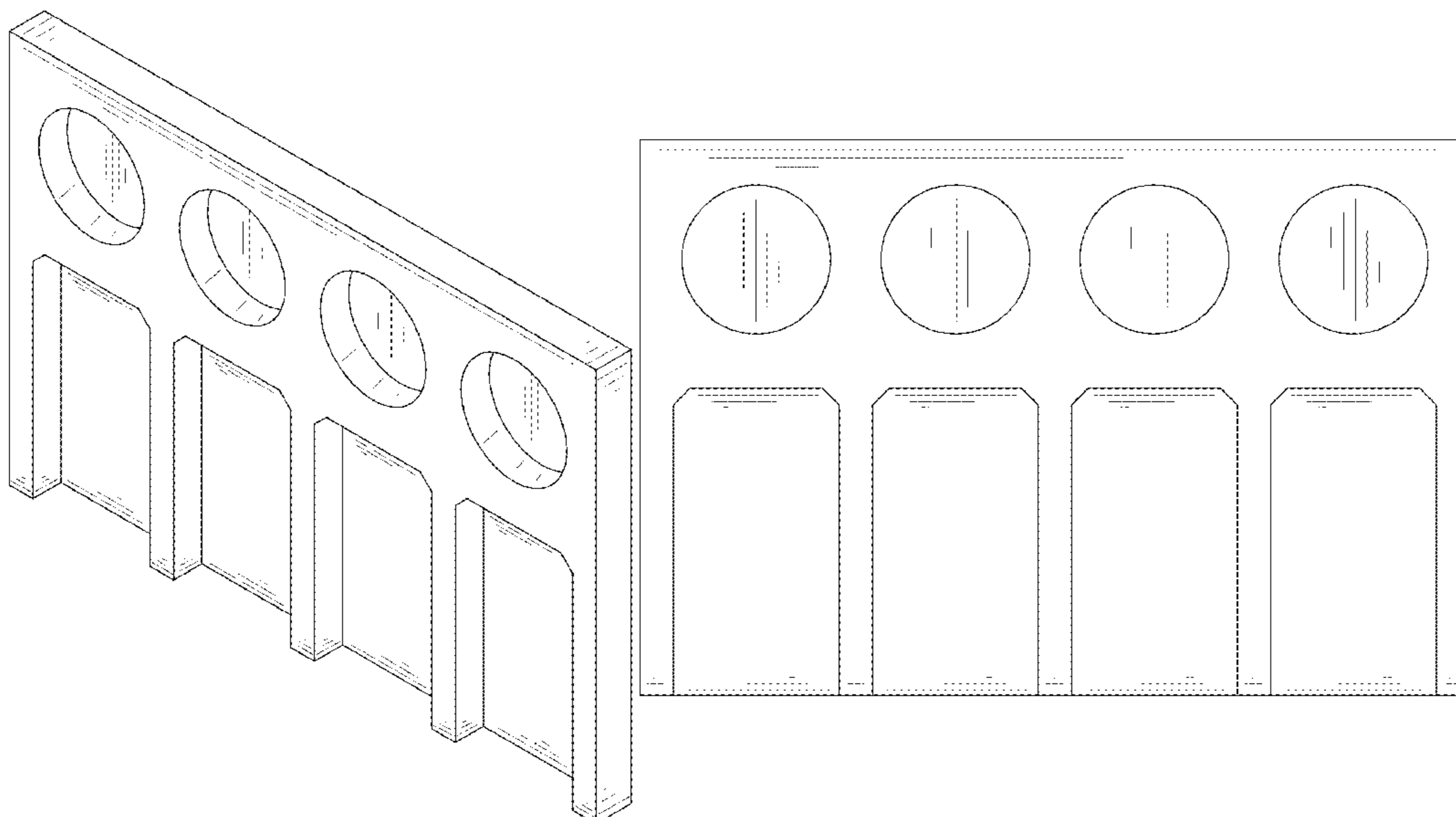
(57) **CLAIM**

The ornamental design for a diamond painting plate, as shown and described.

DESCRIPTION

FIG. 1 is a first perspective view of a diamond painting plate showing my new design;
FIG. 2 is a second perspective view thereof;
FIG. 3 is a third perspective view thereof;
FIG. 4 is a fourth perspective view thereof;
FIG. 5 is a front view thereof;
FIG. 6 is a back view thereof;
FIG. 7 is a left side view thereof;
FIG. 8 is a right side view thereof;
FIG. 9 is a top view thereof; and,
FIG. 10 is a bottom view thereof.

1 Claim, 10 Drawing Sheets



(56)

References Cited

U.S. PATENT DOCUMENTS

D839,479 S * 1/2019 Heslop D28/61
D870,516 S * 12/2019 Villasenor D7/553.5

OTHER PUBLICATIONS

Diamond Painting Accessories Tray Organizer, by USLINKSY, 969 ratings, Manufacturer: USLINKSY, ASIN: B087CCV19D, online on Amazon.com, Date First Available: Apr. 20, 2020.*

* cited by examiner

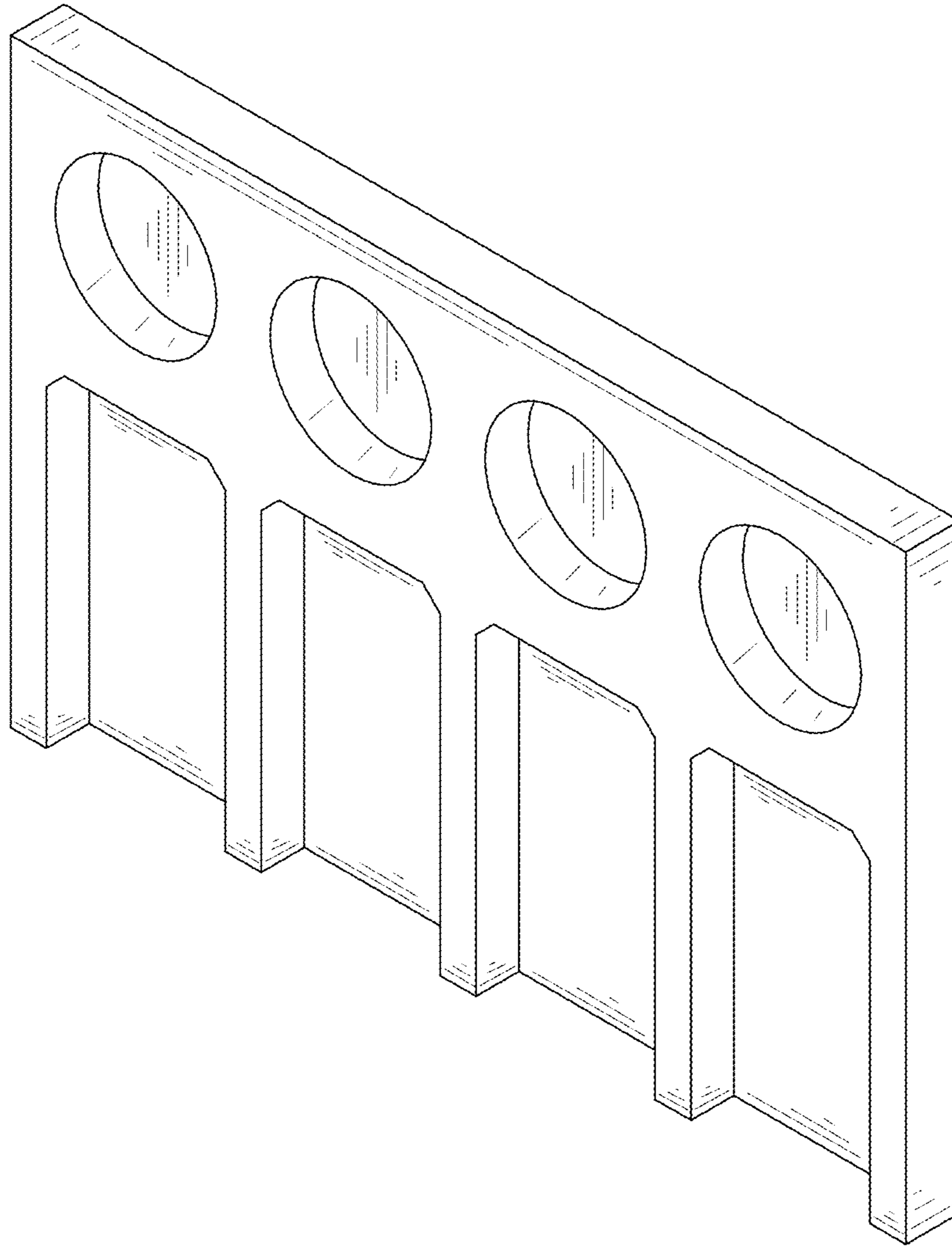


FIG. 1

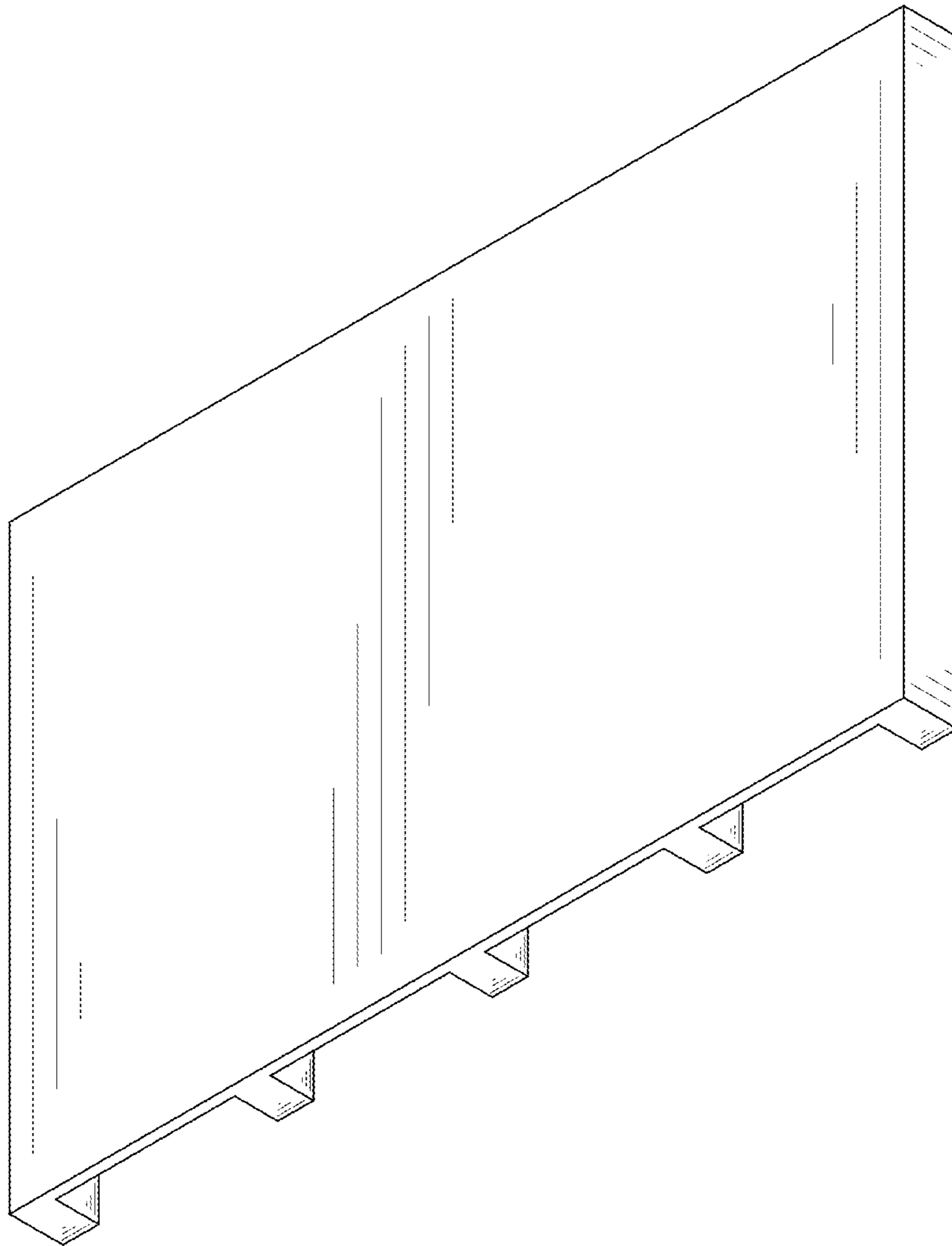


FIG. 2

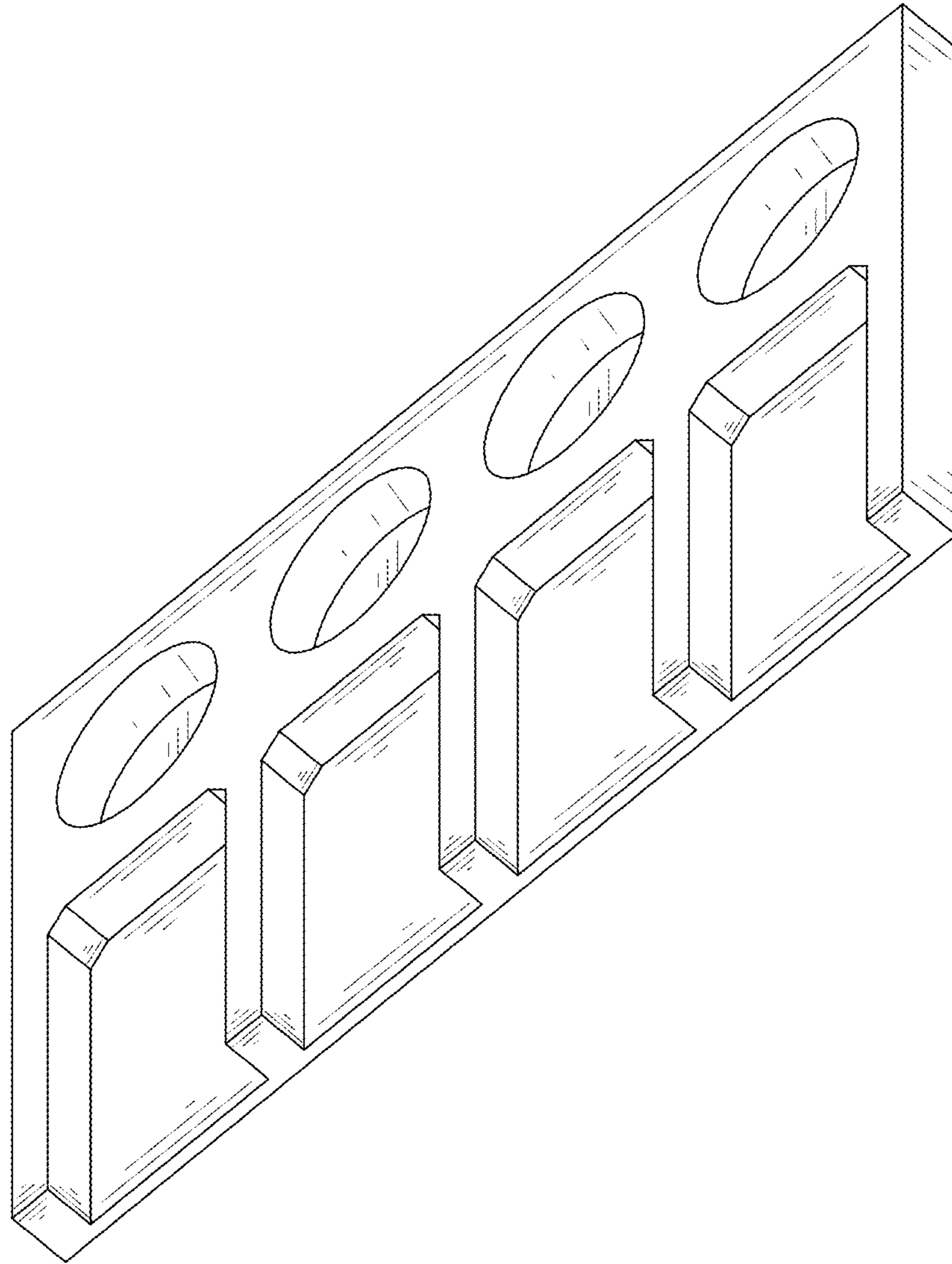


FIG. 3

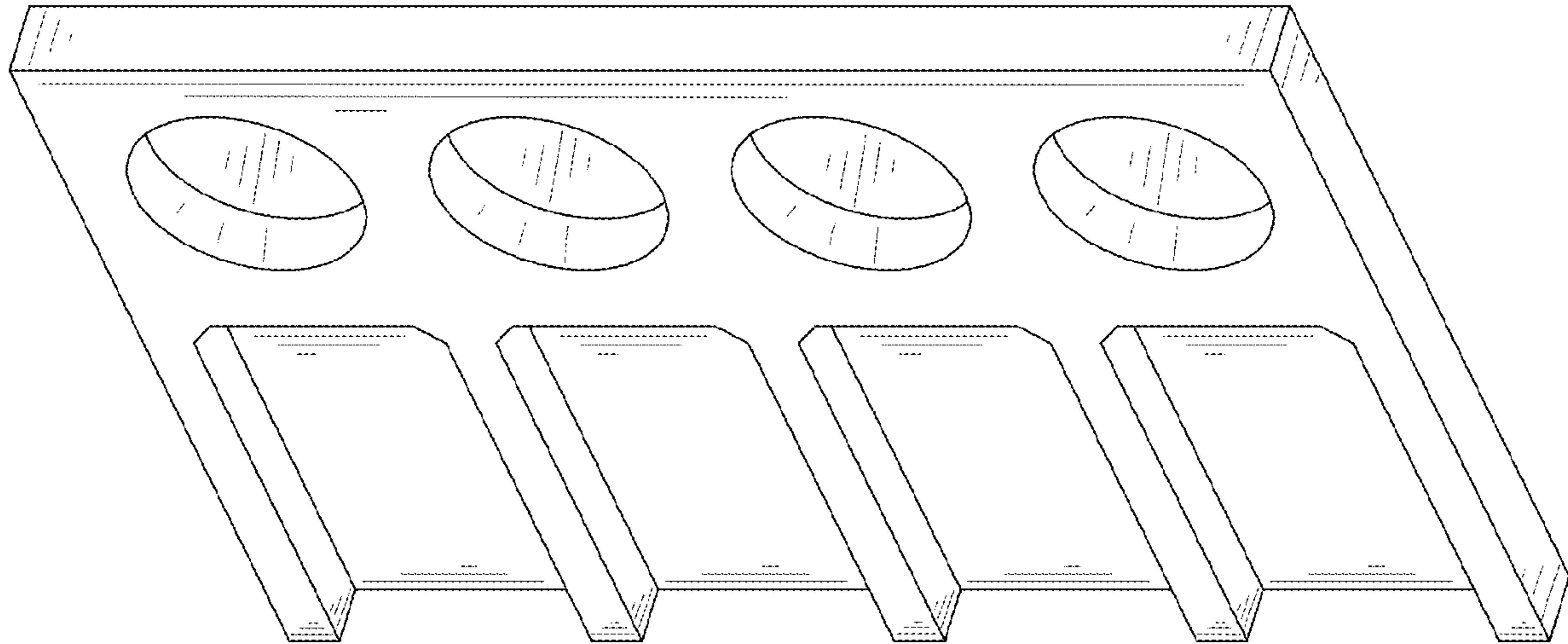


FIG. 4

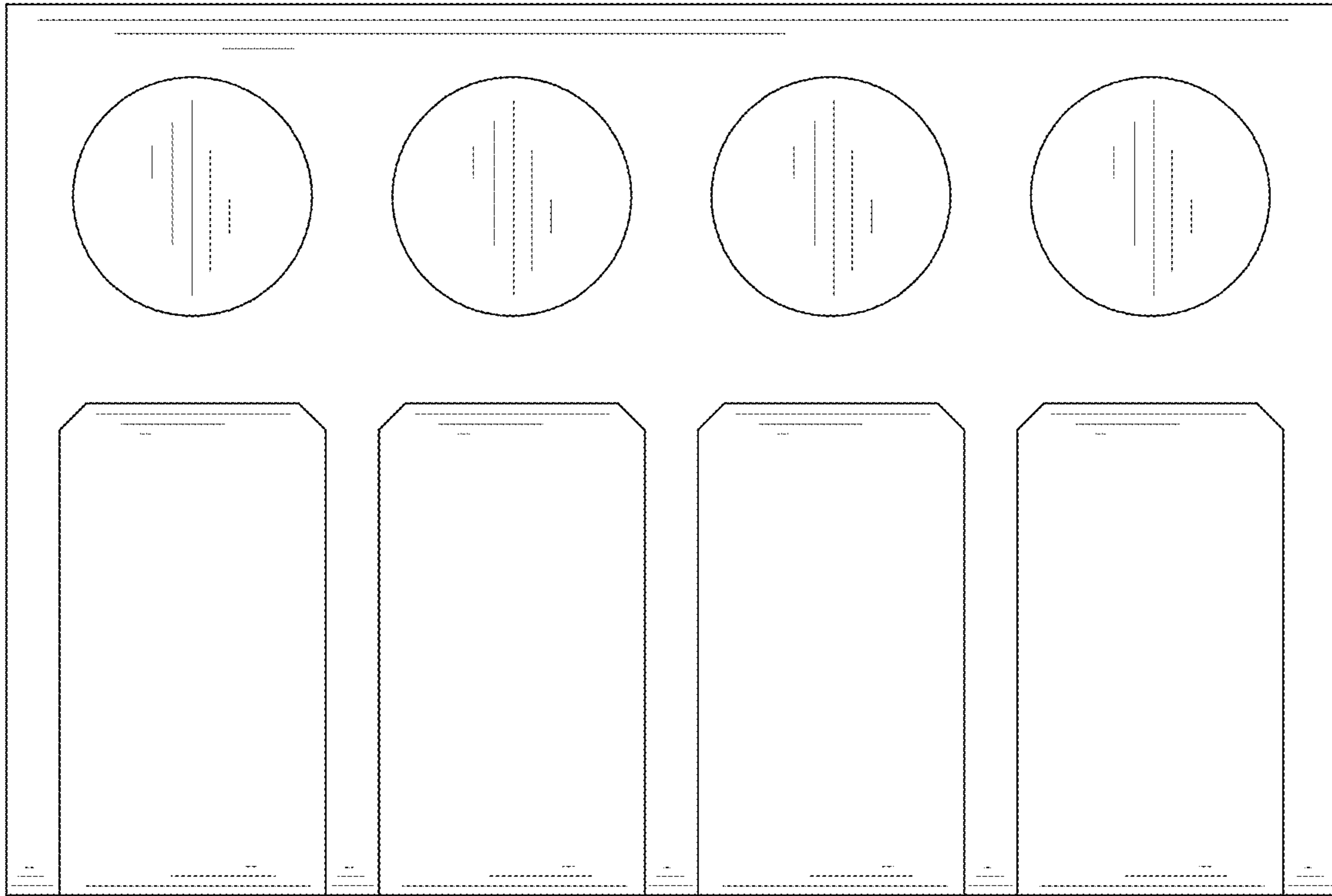


FIG. 5

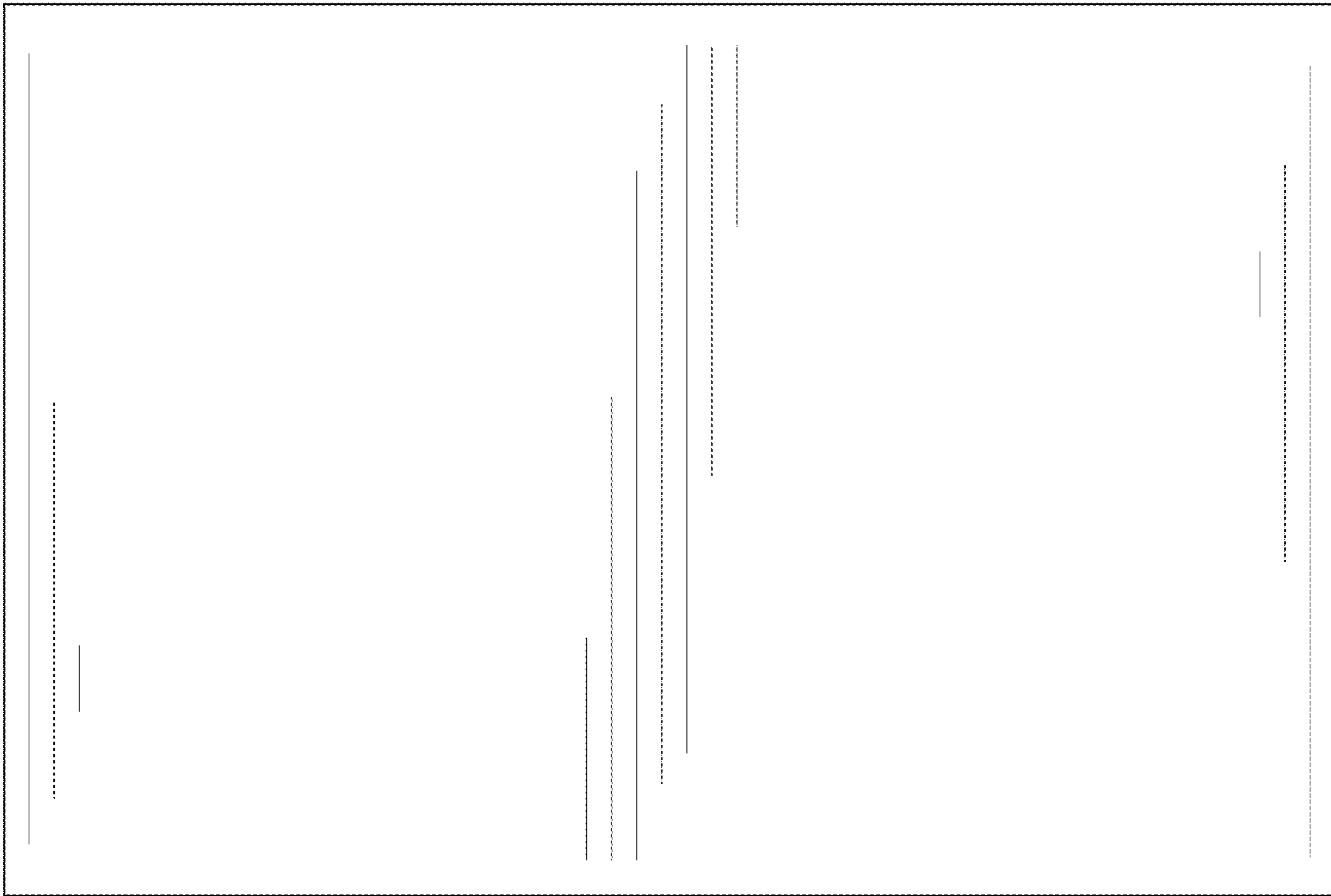


FIG. 6



FIG. 7



FIG. 8



FIG. 9

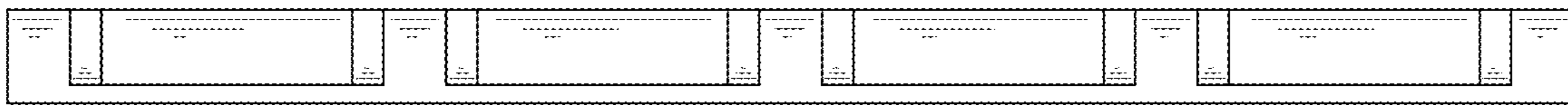


FIG. 10