



US00D923088S

(12) **United States Design Patent** (10) **Patent No.:** **US D923,088 S**
Hu (45) **Date of Patent:** **** Jun. 22, 2021**

(54) **FILE SORTER**
(71) Applicant: **Yajun Hu**, El Dorado Hills, CA (US)
(72) Inventor: **Yajun Hu**, El Dorado Hills, CA (US)
(73) Assignee: **YAJUN HU, EUREKA LLC.**, El Dorado Hills, CA (US)
(**) Term: **15 Years**
(21) Appl. No.: **29/709,583**
(22) Filed: **Oct. 15, 2019**
(51) **LOC (13) Cl.** **19-02**
(52) **U.S. Cl.**
USPC **D19/92**
(58) **Field of Classification Search**
USPC D19/75, 77-78, 86-87, 90-92; D3/306, D3/309, 310, 312; D6/675.2, 675.4, 683
CPC ... A47B 63/00; B42F 7/06; B42F 7/08; B42F 7/10; B42F 7/12; B42F 7/14; B42F 7/145; B42F 17/02; B42F 17/08; B42F 17/12; B65D 7/20; B65D 7/26; B65D 7/30
See application file for complete search history.

5,140,724 A 8/1992 Crisanti
D330,047 S 10/1992 Evenson
D335,560 S * 5/1993 Fennell, Jr. D19/92
D336,927 S 6/1993 Samuels et al.
D426,576 S * 6/2000 Bruner D19/78
D520,002 S 5/2006 Mello
D534,374 S * 1/2007 Wright D6/566
D550,284 S 9/2007 Goodman et al.
D579,691 S * 11/2008 Snider D6/675.2
D604,769 S 11/2009 Chen et al.
7,921,998 B2 4/2011 Schenker
D665,846 S 8/2012 Chuang
D691,659 S 10/2013 Hu
D756,457 S * 5/2016 Tsai D19/90
D758,487 S * 6/2016 Tsai D19/90
D769,023 S * 10/2016 Tsai D6/566
9,782,996 B1 * 10/2017 Kuo B42F 7/12
D841,735 S * 2/2019 Tuang D19/90
D842,005 S * 3/2019 Tsai D6/566
D856,420 S * 8/2019 Tsai D19/92
D904,516 S * 12/2020 Tsai D19/92

* cited by examiner

Primary Examiner — Elizabeth A. Albert

(57) **CLAIM**

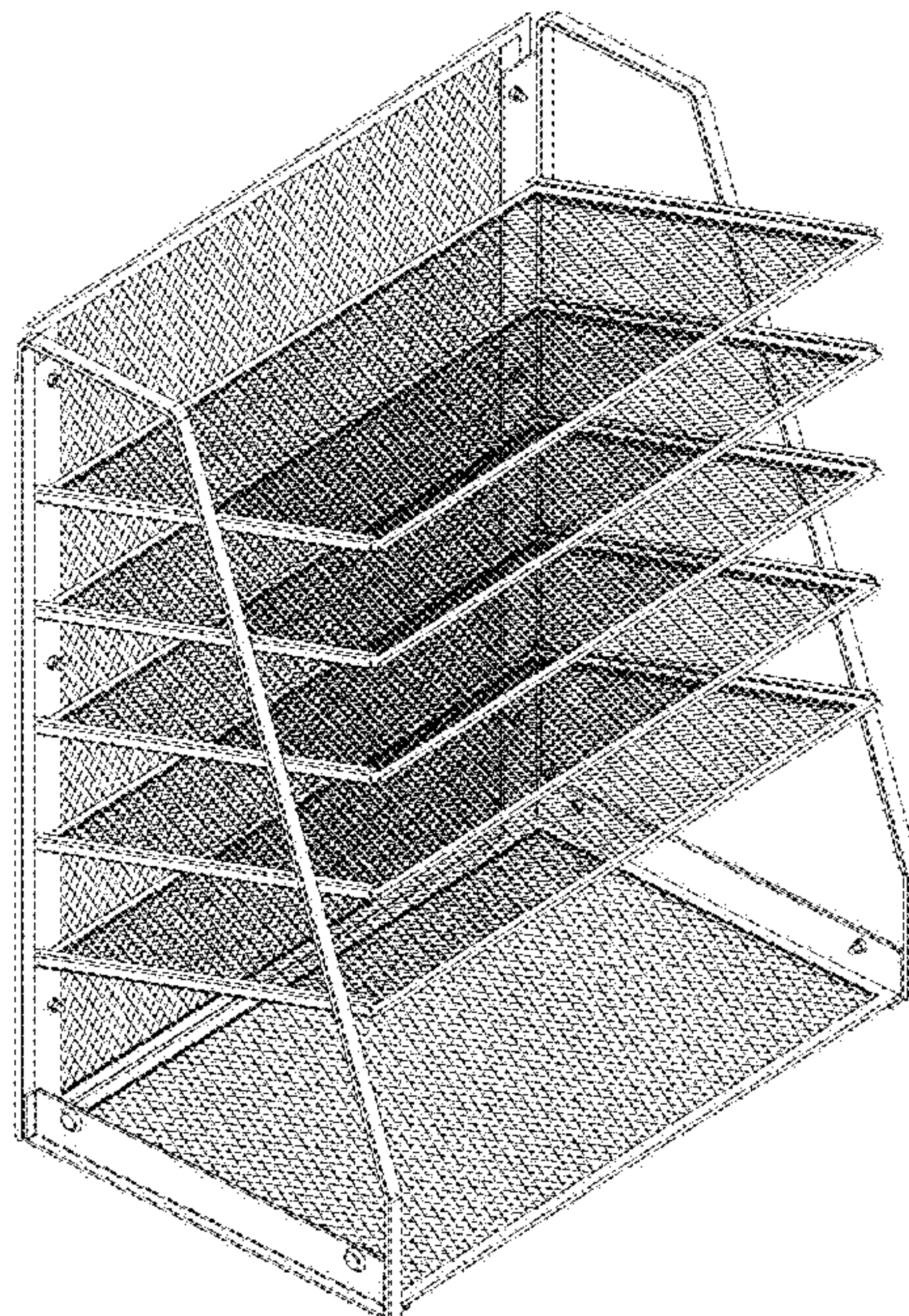
The ornamental design for a file sorter, as shown and described.

DESCRIPTION

FIG. 1 is a perspective view of file sorter showing my design;
FIG. 2 is a front view thereof;
FIG. 3 is a bottom view thereof;
FIG. 4 is a top view thereof;
FIG. 5 is a rear side view thereof;
FIG. 6 is a left side view thereof; and,
FIG. 7 is a right side view thereof.

1 Claim, 7 Drawing Sheets

(56) **References Cited**
U.S. PATENT DOCUMENTS
575,590 A * 1/1897 Brightman B42F 17/02 211/50
1,456,446 A * 5/1923 Hotaling A47F 7/148 211/50
D149,461 S * 4/1948 Underwood D19/86
D192,985 S * 6/1962 Patterson D6/675.4
D230,234 S * 2/1974 Juhlin D6/570
D231,496 S * 4/1974 Saltz D19/92
D321,609 S * 11/1991 Dardashti D6/675.2



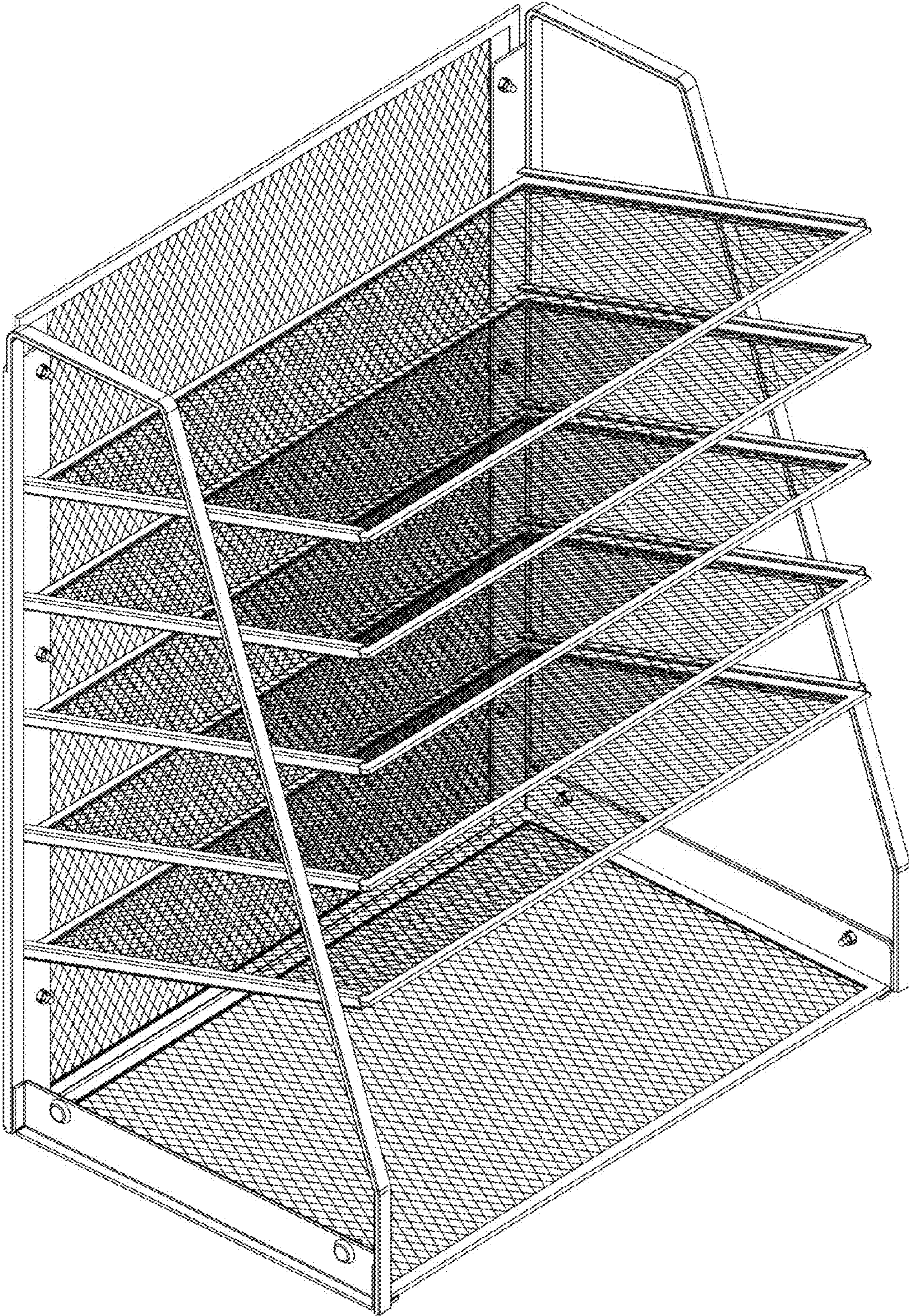


FIG.1

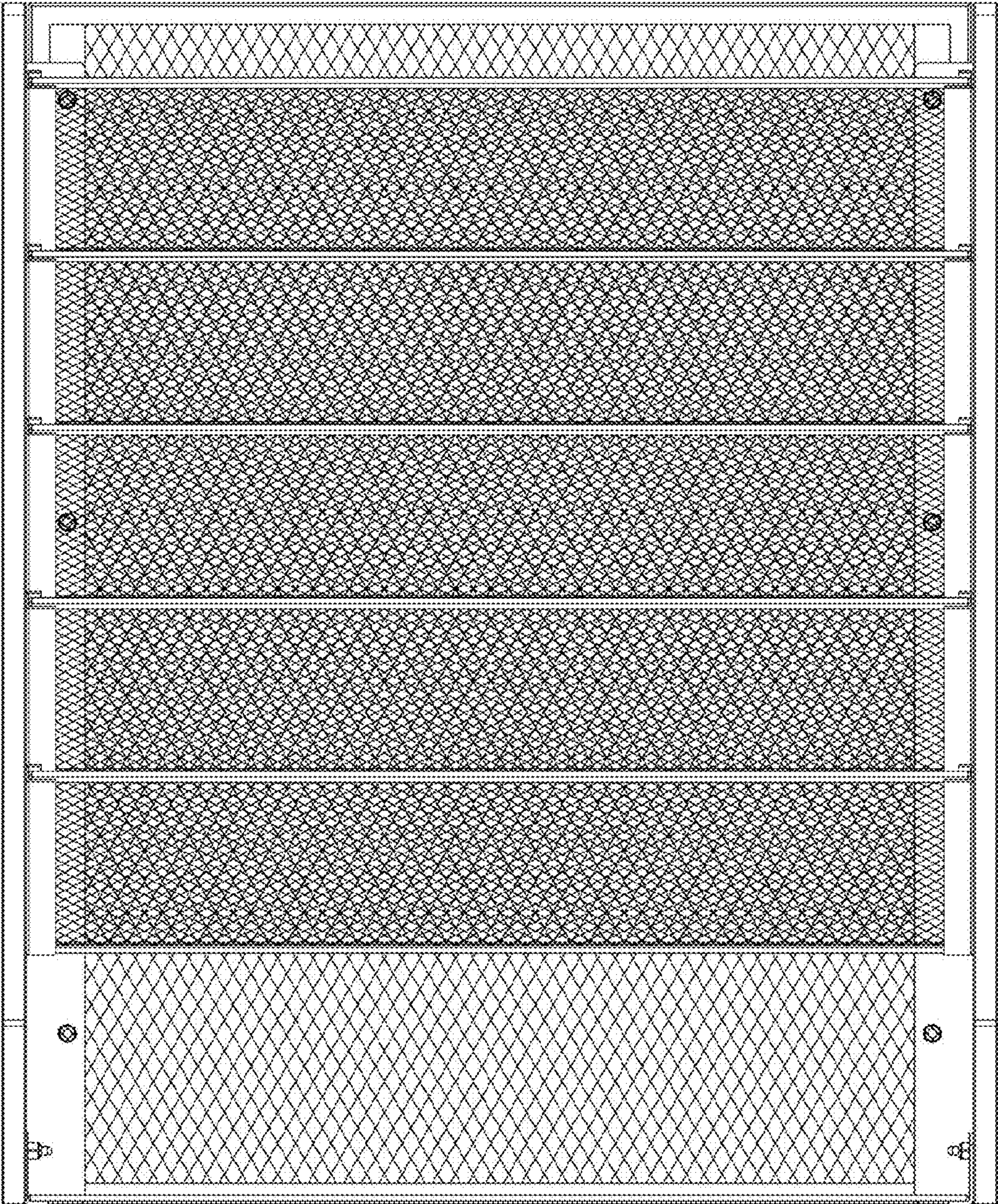


FIG.2

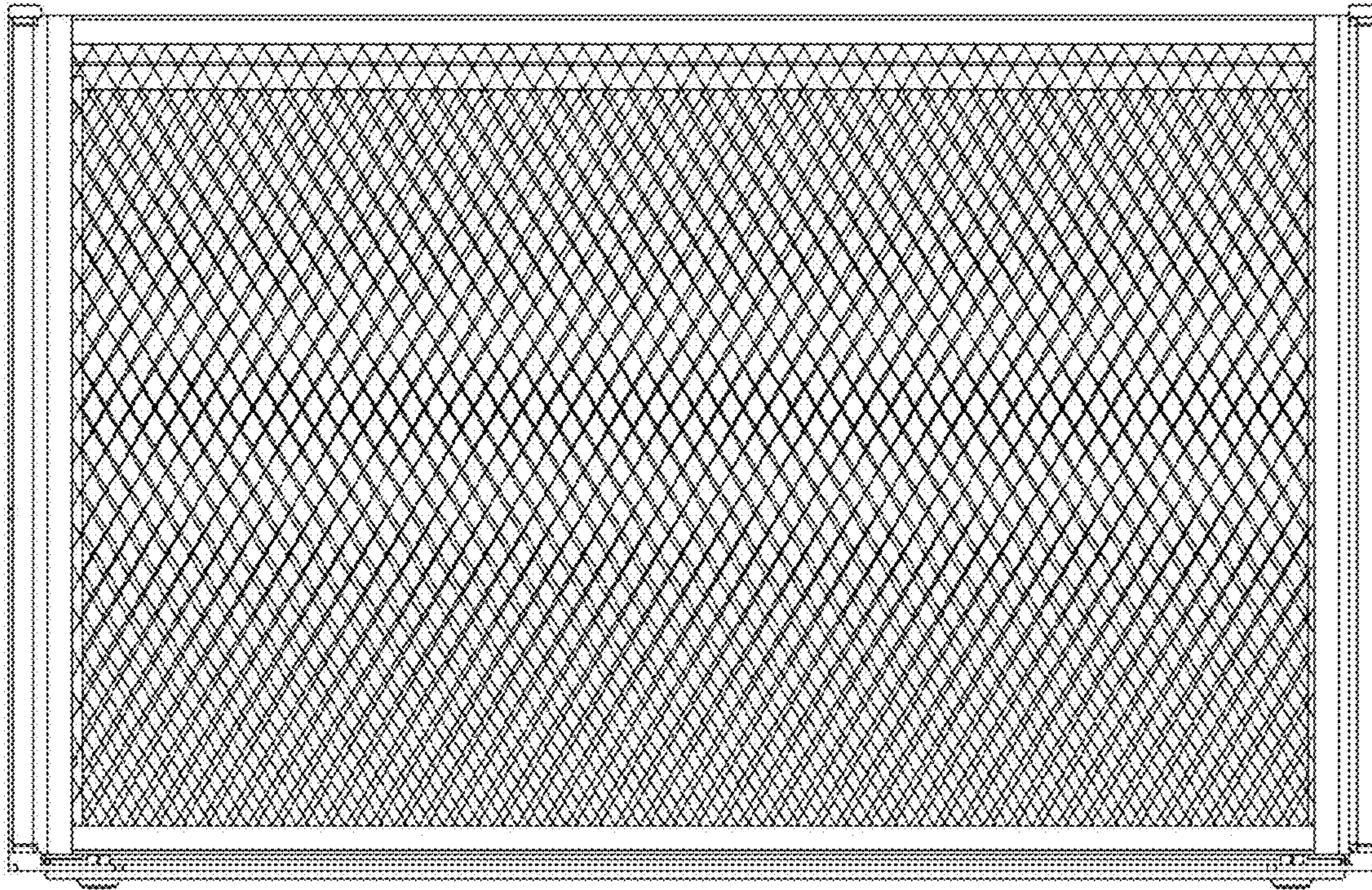


FIG.3

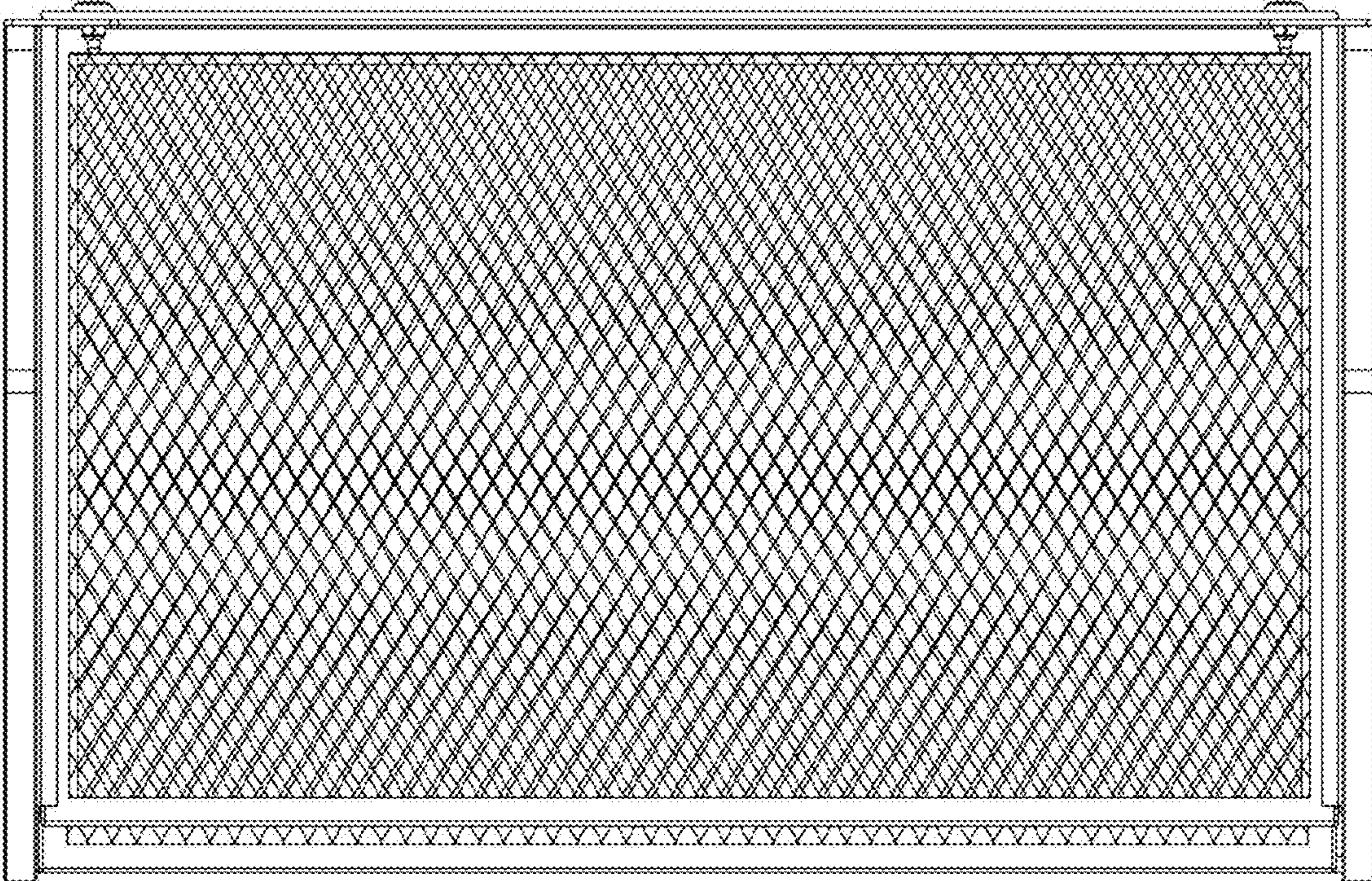


FIG.4

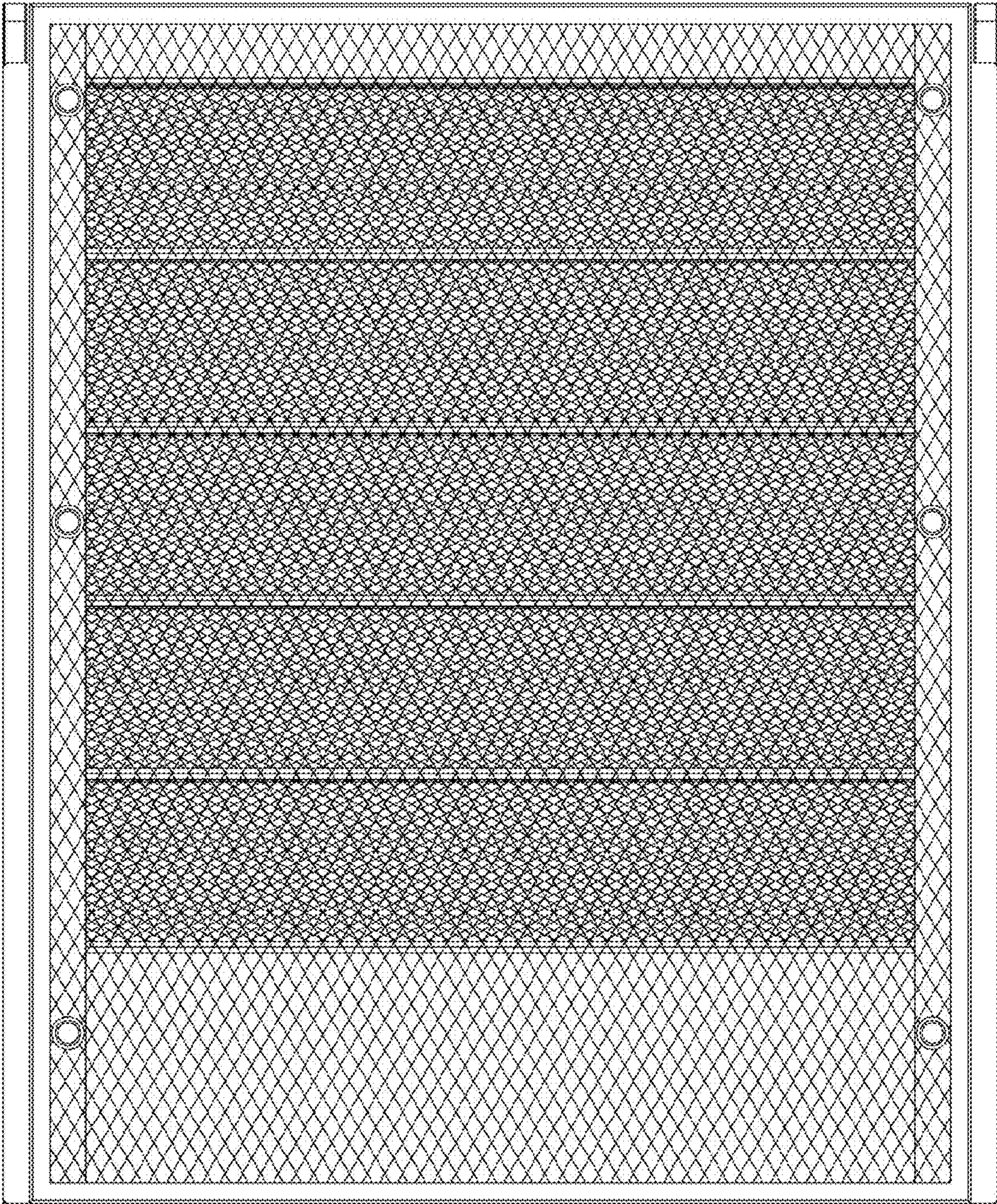


FIG.5

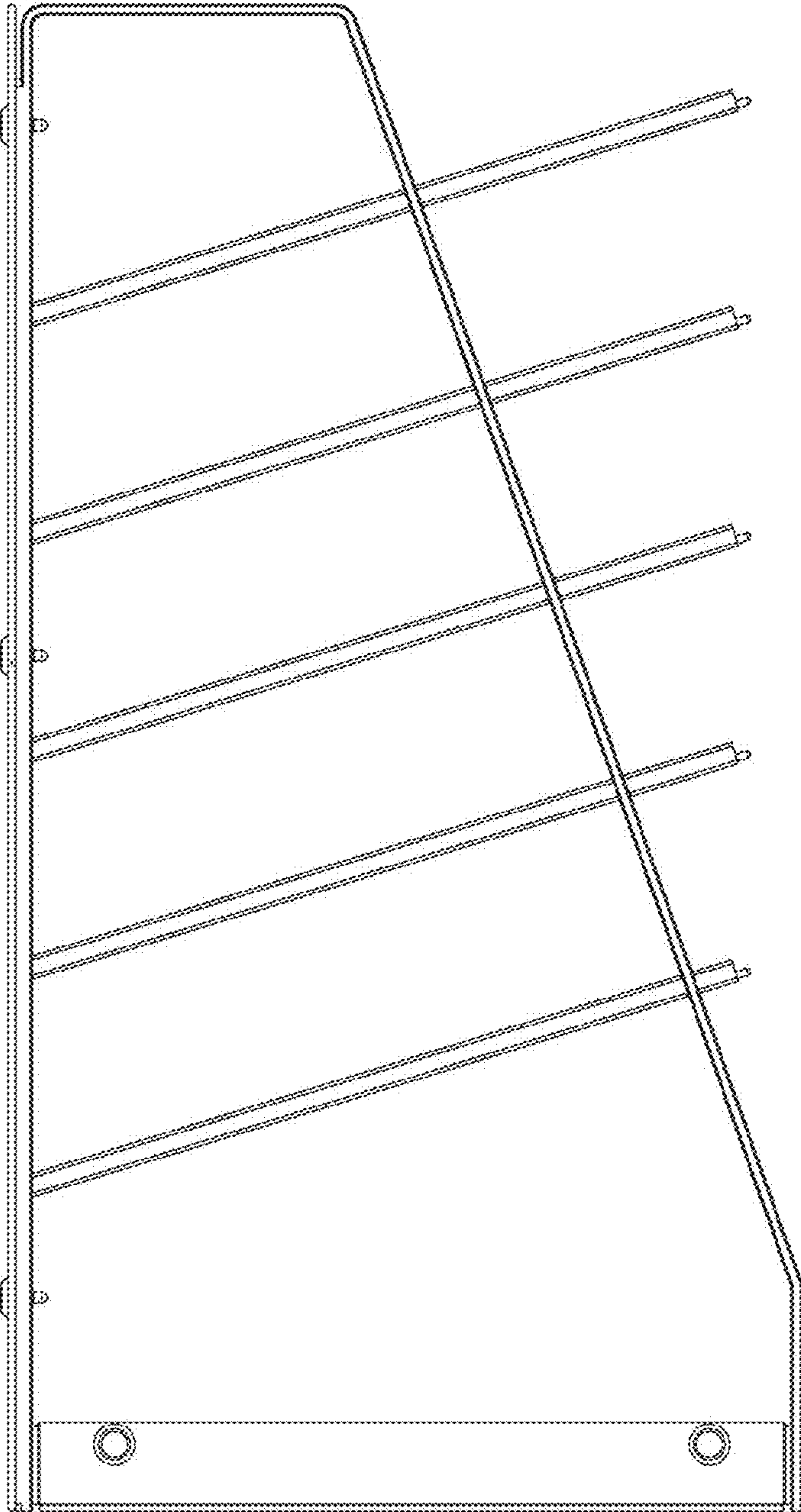


FIG.6

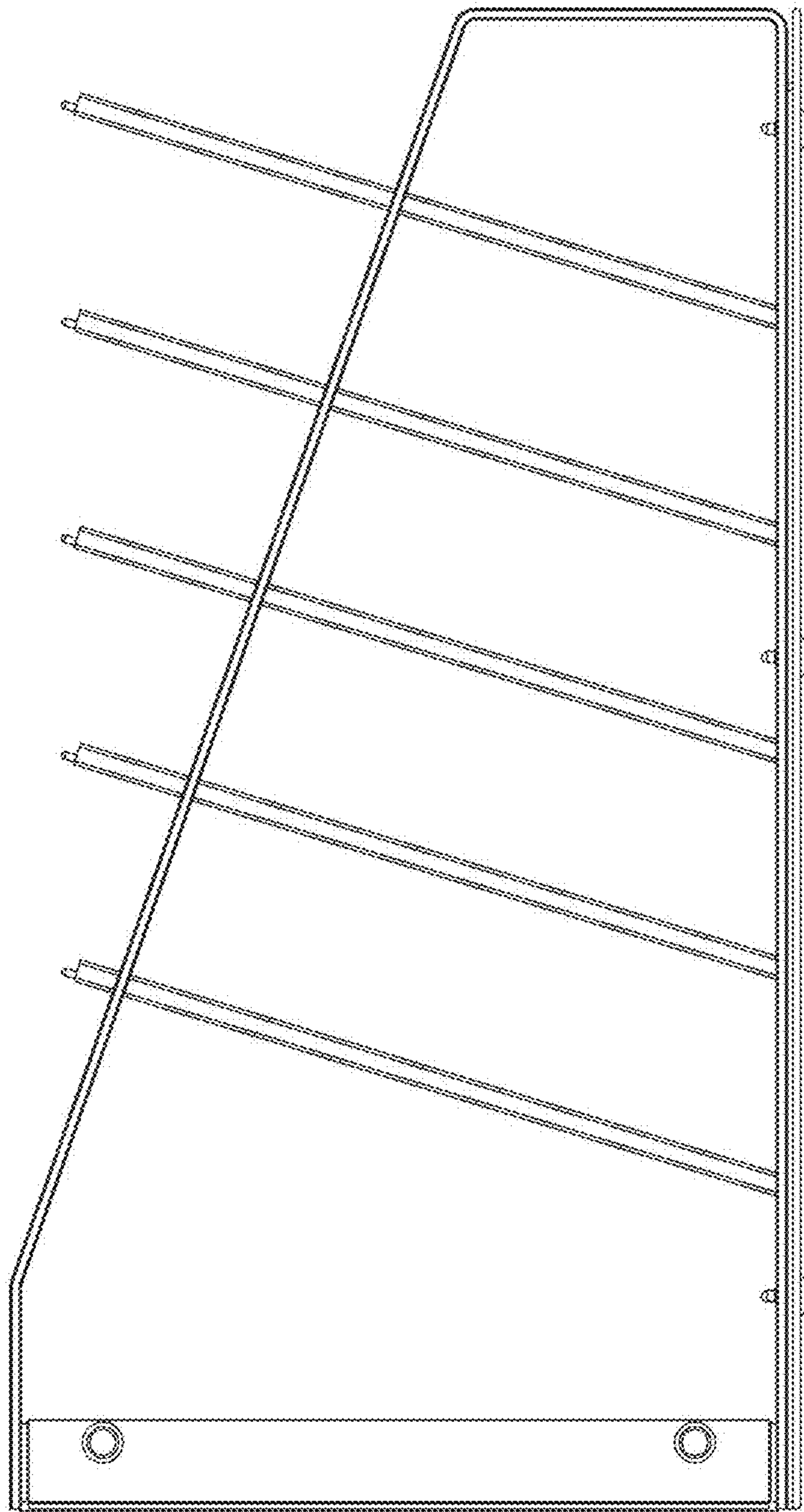


FIG.7