



US00D923087S

(12) **United States Design Patent** (10) **Patent No.:** **US D923,087 S**
Hu (45) **Date of Patent:** **** Jun. 22, 2021**

(54) **FILE SORTER**
(71) Applicant: **Yajun Hu**, El Dorado Hills, CA (US)
(72) Inventor: **Yajun Hu**, El Dorado Hills, CA (US)
(73) Assignees: **Yajun Hu**, El Dorado Hills, CA (US);
EUREKA LLC., El Dorado Hills, CA (US)
(**) Term: **15 Years**
(21) Appl. No.: **29/709,580**
(22) Filed: **Oct. 15, 2019**
(51) **LOC (13) Cl.** **19-02**
(52) **U.S. Cl.**
USPC **D19/90**
(58) **Field of Classification Search**
USPC D19/75, 77-78, 86-87, 90-92; D3/306,
D3/309, 310, 312; D6/675.2, 675.4
CPC ... A47B 63/00; B42F 7/06; B42F 7/08; B42F
7/10; B42F 7/12; B42F 7/145; B42F
17/02; B42F 17/08; B42F 17/12; B65D
7/20; B65D 7/26; B65D 7/30
See application file for complete search history.

(56) **References Cited**
U.S. PATENT DOCUMENTS
289,825 A * 12/1883 Fulton A47F 7/148
211/50
3,083,836 A * 4/1963 Bussemer F25D 25/022
211/134
3,144,942 A * 8/1964 Peebles B42F 17/08
211/11
3,176,849 A * 4/1965 Peebles B42F 17/02
211/50
D205,644 S * 8/1966 Macowski D19/90
D221,703 S * 8/1971 Macowski D19/90
4,087,926 A * 5/1978 Breslau G03D 13/125
211/50
4,318,478 A * 3/1982 De Winter A47J 47/16
206/373

4,410,093 A * 10/1983 Chiariello B42F 17/12
211/11
4,593,822 A * 6/1986 Yeane A61L 2/26
211/41.8
4,705,178 A * 11/1987 Vail, Sr. A47F 5/01
206/513

(Continued)

Primary Examiner — Elizabeth A. Albert

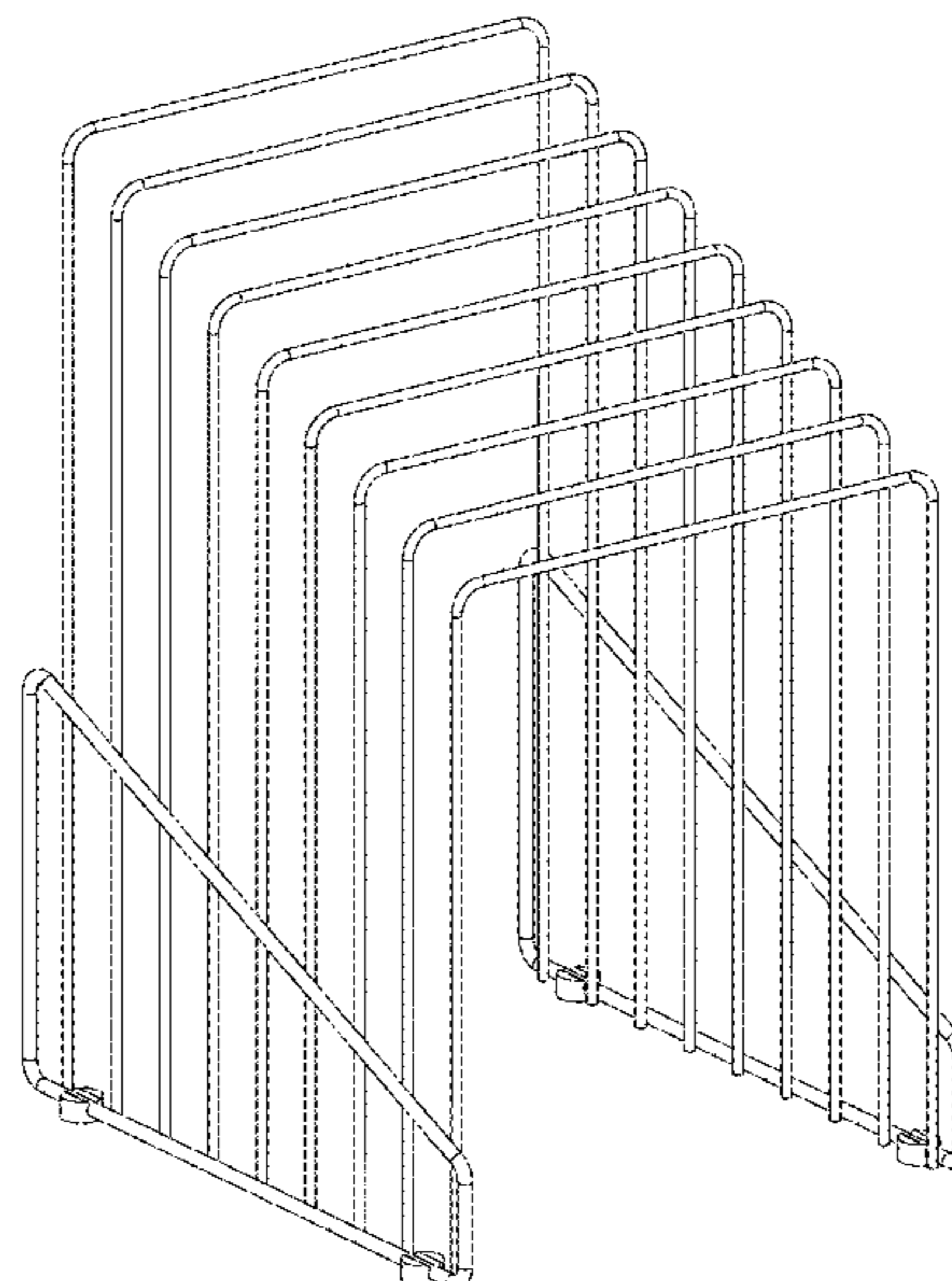
(57) **CLAIM**

The ornamental design for a file sorter, as shown and described.

DESCRIPTION

FIG. 1 is a perspective view of file sorter of the first embodiment showing my design;
FIG. 2 is a front view thereof;
FIG. 3 is a bottom view thereof;
FIG. 4 is a top view thereof;
FIG. 5 is a rear side view thereof;
FIG. 6 is a left side view thereof;
FIG. 7 is a right side view thereof;
FIG. 8 is a perspective view of file sorter of the second embodiment;
FIG. 9 is a front view thereof;
FIG. 10 is a bottom view thereof;
FIG. 11 is a top view thereof;
FIG. 12 is a rear side view thereof;
FIG. 13 is a left side view thereof;
FIG. 14 is a right side view thereof;
FIG. 15 is a perspective view of file sorter of the third embodiment;
FIG. 16 is a front view thereof;
FIG. 17 is a bottom view thereof;
FIG. 18 is a top view thereof;
FIG. 19 is a rear side view thereof;
FIG. 20 is a left side view thereof; and,
FIG. 21 is a right side view thereof.

1 Claim, 21 Drawing Sheets



(56)

References Cited

U.S. PATENT DOCUMENTS

5,140,724 A 8/1992 Crisanti
D329,954 S * 10/1992 Sharon D6/675.5
D330,047 S 10/1992 Evenson
D336,927 S 6/1993 Samuels et al.
D364,074 S * 11/1995 Yeh D6/678.4
D433,712 S * 11/2000 Walsh D19/75
D520,002 S 5/2006 Mello
D538,106 S * 3/2007 Julian D7/409
D550,284 S 9/2007 Goodman et al.
D585,094 S * 1/2009 Smith D19/90
D588,378 S * 3/2009 Goodman D7/704
D604,769 S 11/2009 Chen et al.
7,921,998 B2 4/2011 Schenker
D665,846 S 8/2012 Chuang
D668,103 S * 10/2012 Cloutier D7/402
D688,309 S * 8/2013 MacDonald D19/90
D689,945 S * 9/2013 Hu D19/90
D691,659 S 10/2013 Hu
8,627,764 B1 * 1/2014 Cloutier A47J 37/0694
99/450
D709,719 S * 7/2014 Hsu D6/683.1
D748,939 S * 2/2016 Hsu D6/683.1
10,028,579 B2 * 7/2018 Kantor A47B 43/00
D841,734 S * 2/2019 Tuang D19/90
D859,523 S * 9/2019 Goodman D19/90
D883,722 S * 5/2020 Dittrich D6/683.1
2009/0065452 A1 * 3/2009 Smith B42F 17/12
211/11
2011/0062093 A1 * 3/2011 McGhee A47B 65/15
211/50

* cited by examiner

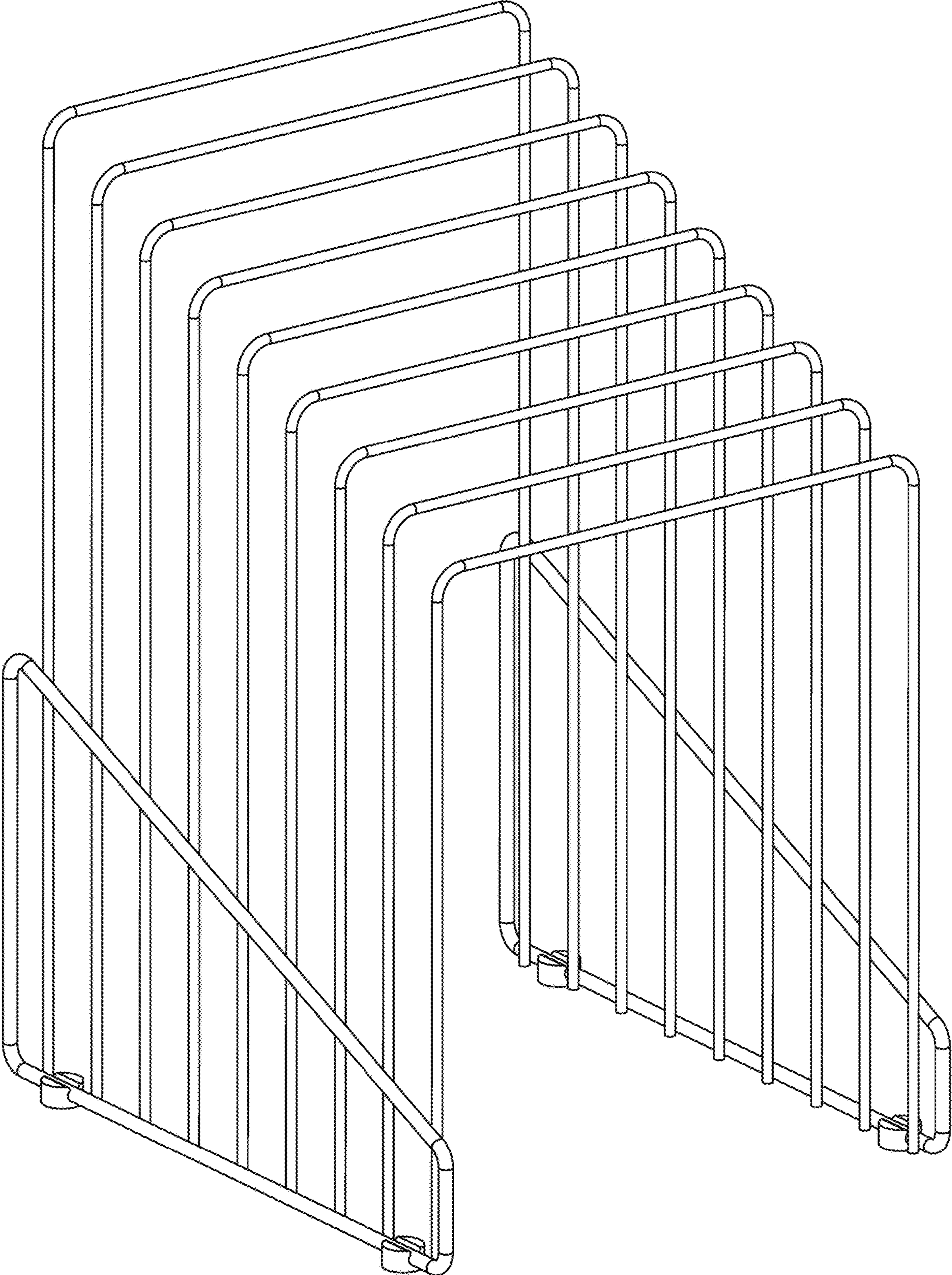


FIG.1

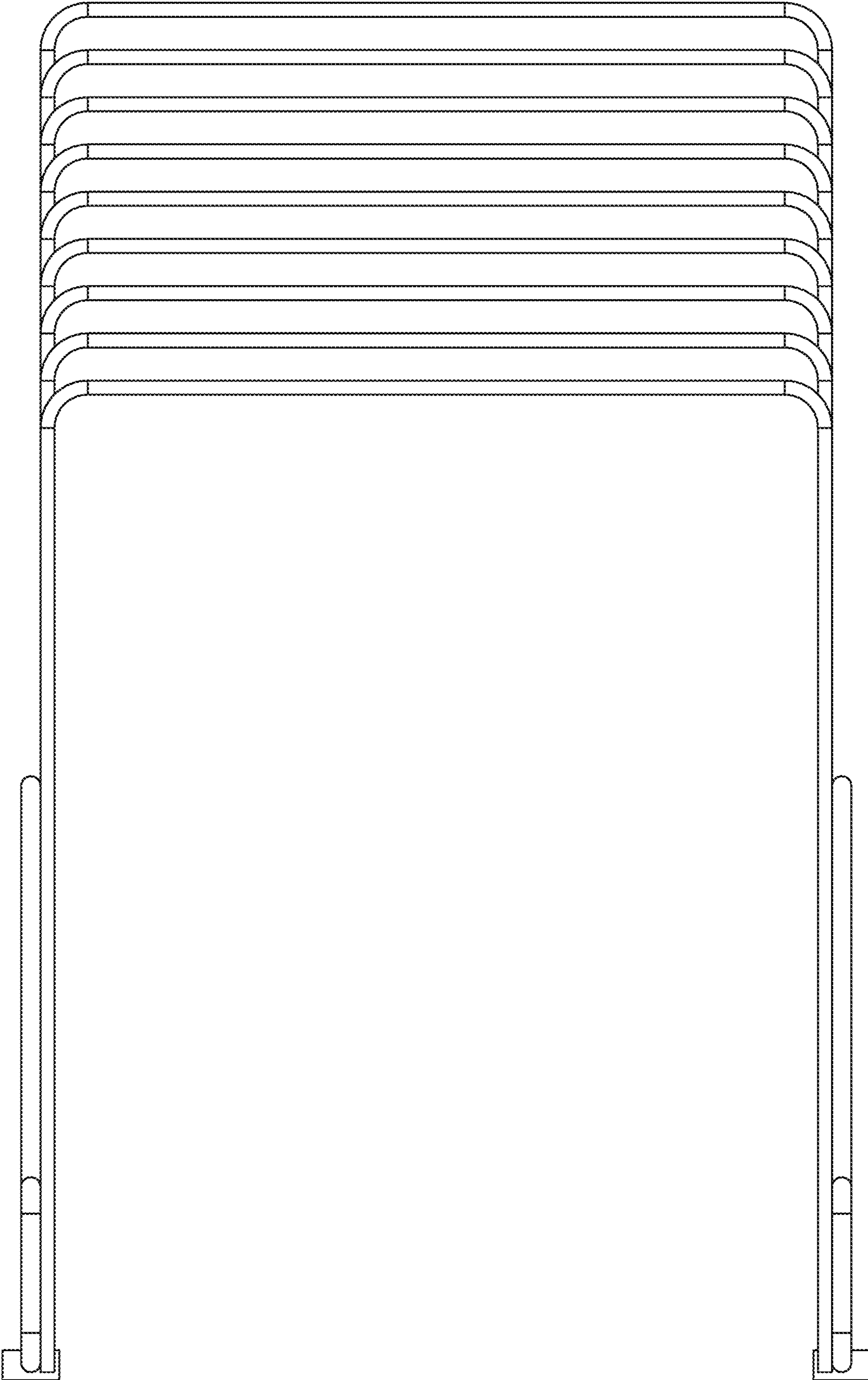


FIG.2

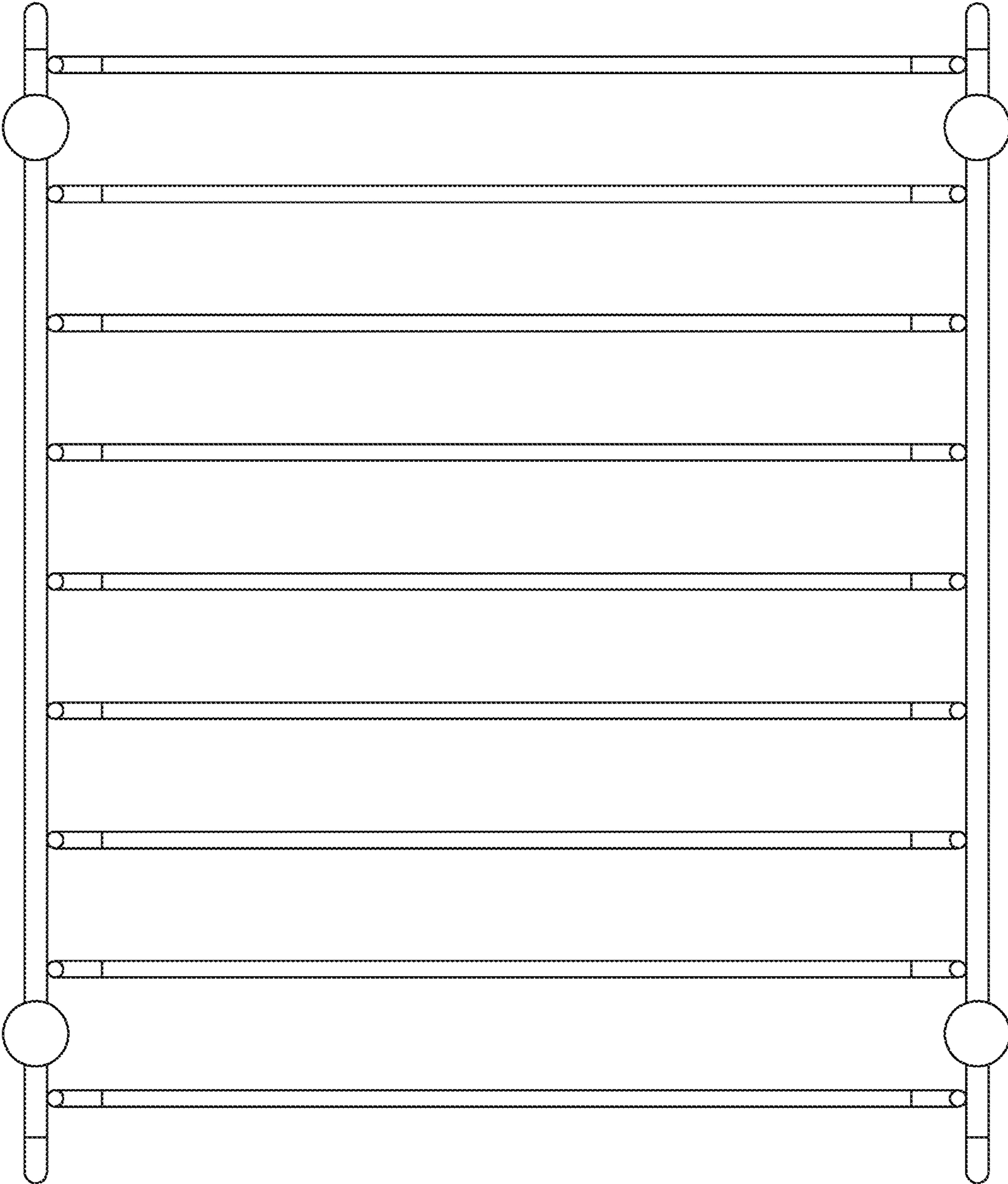


FIG.3

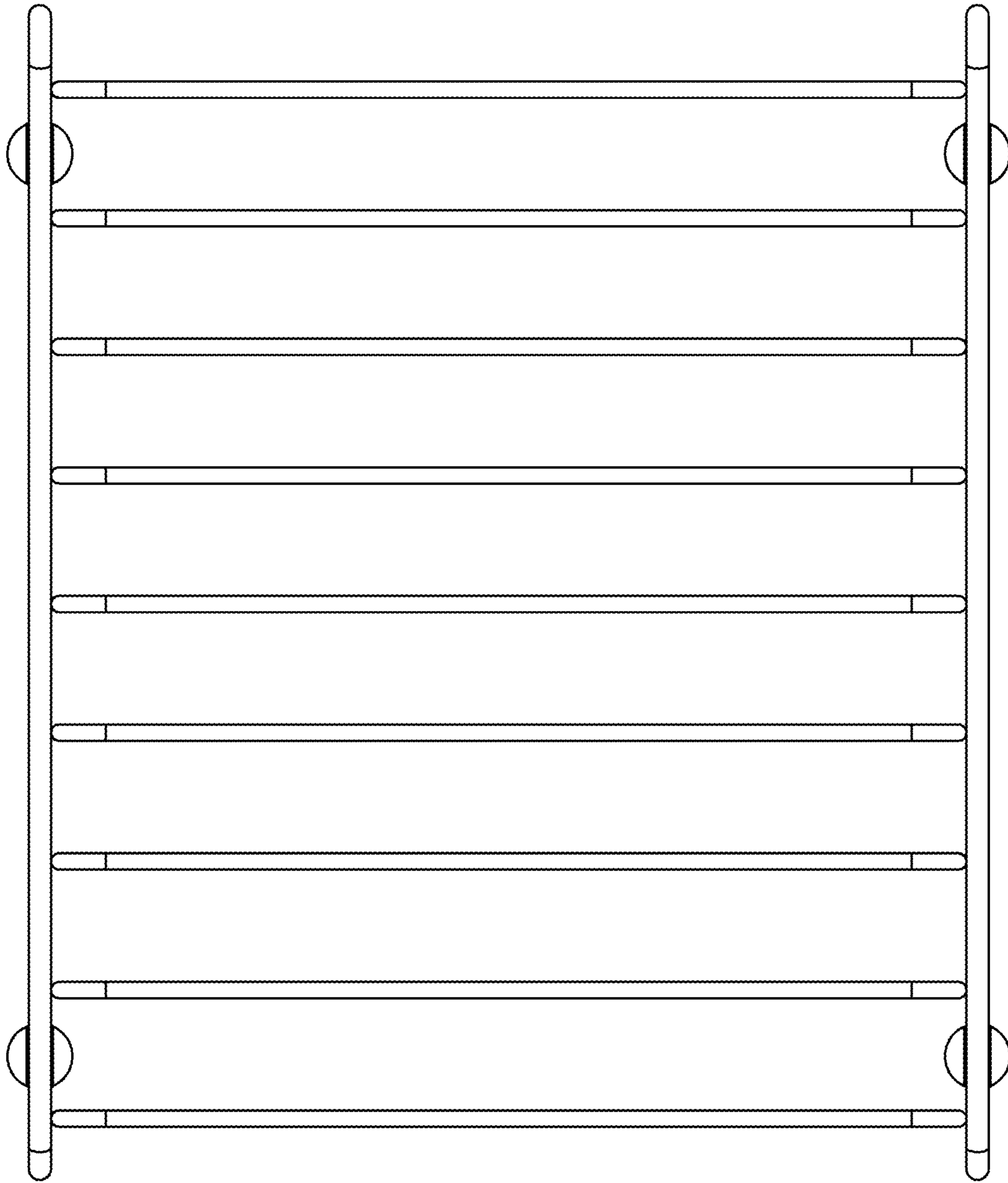


FIG.4

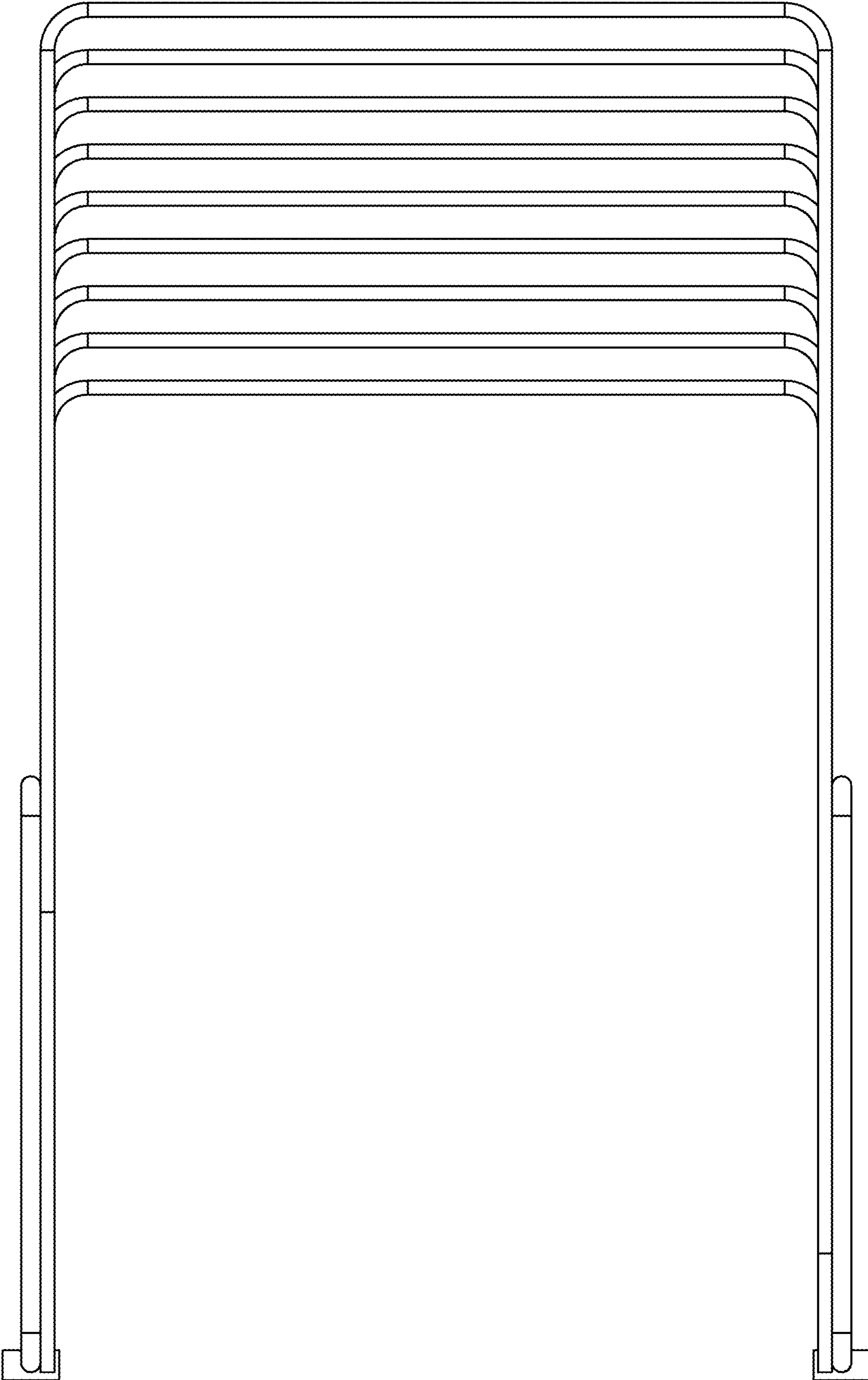


FIG.5

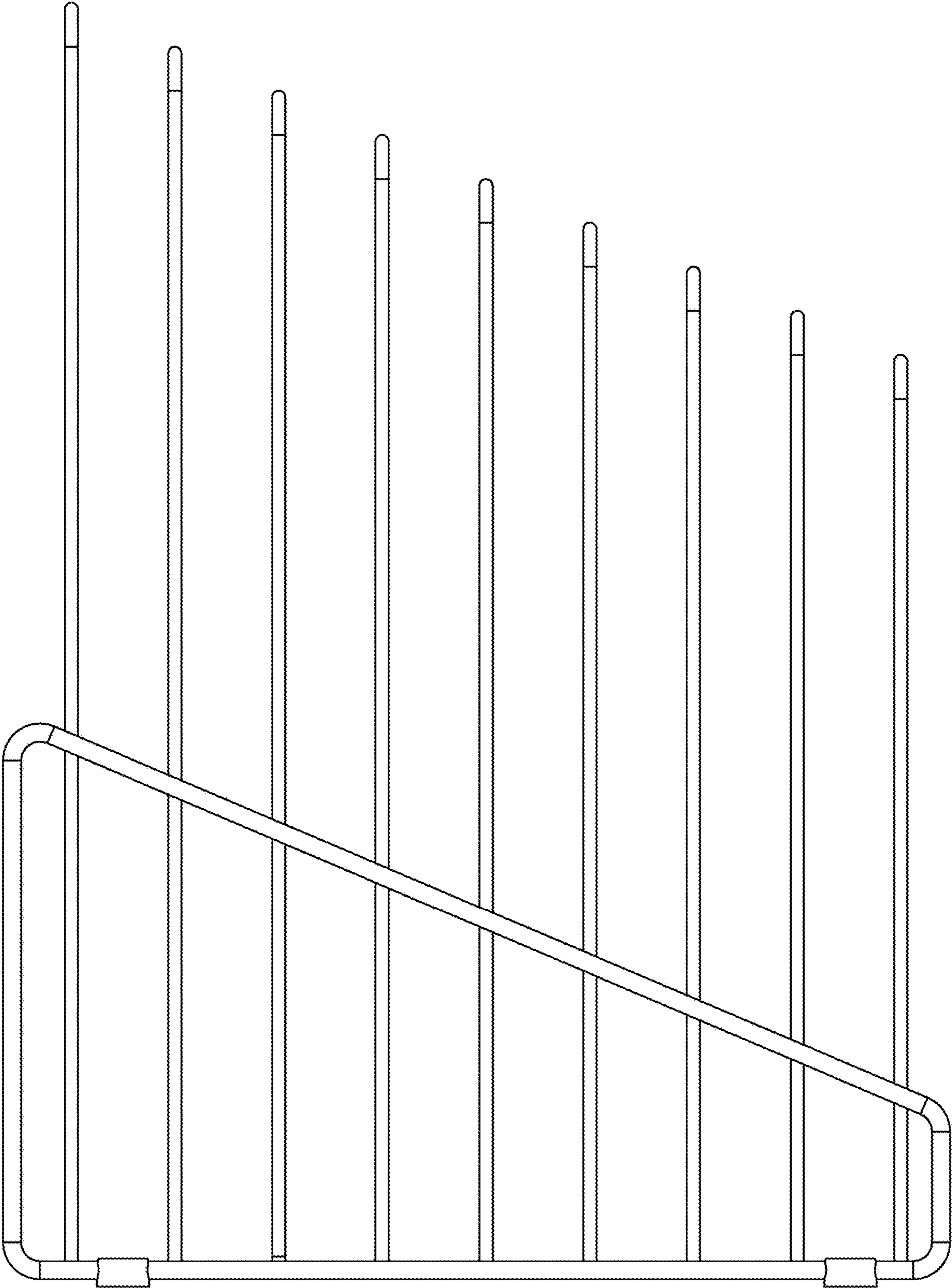


FIG.6

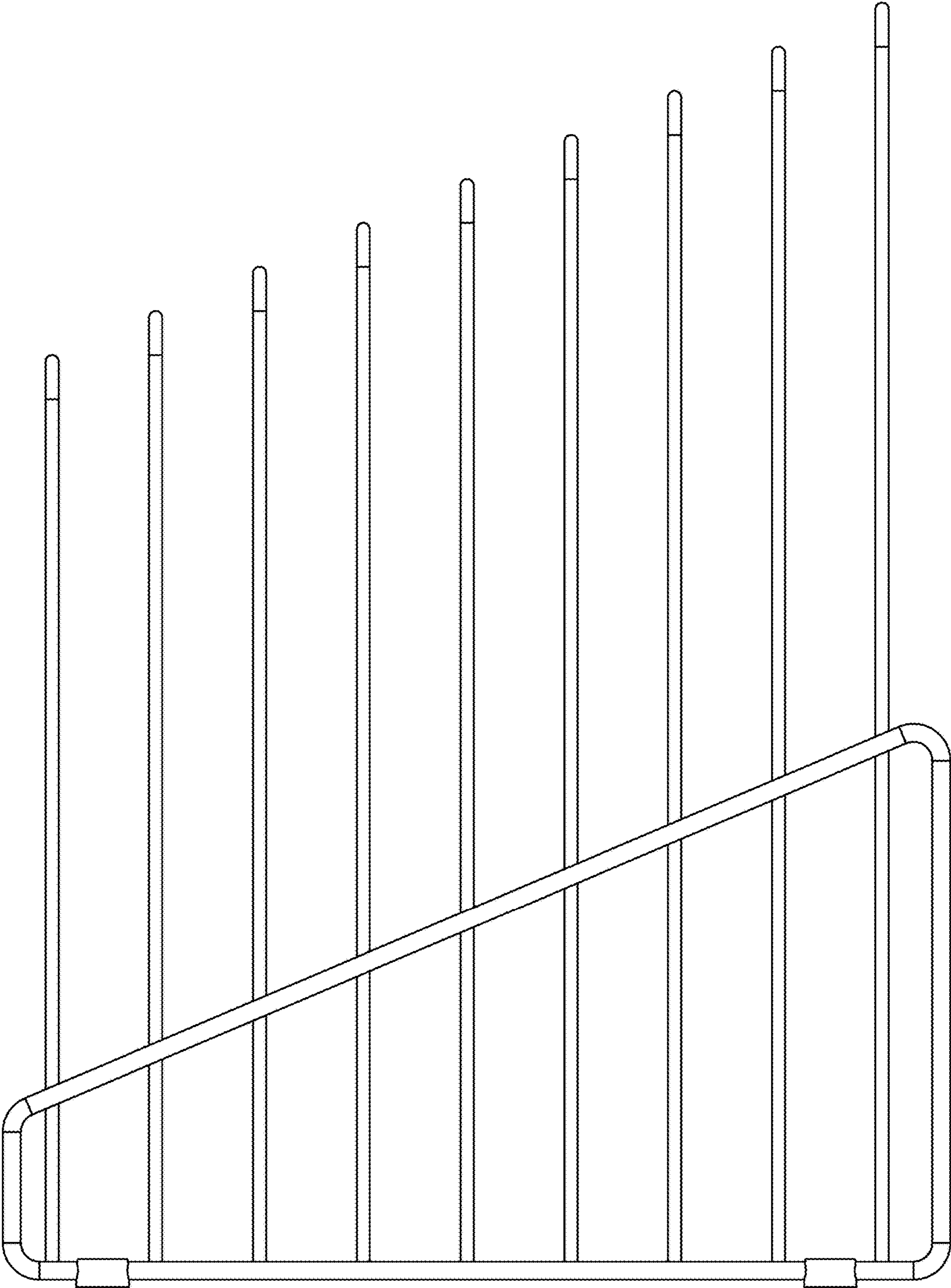


FIG.7

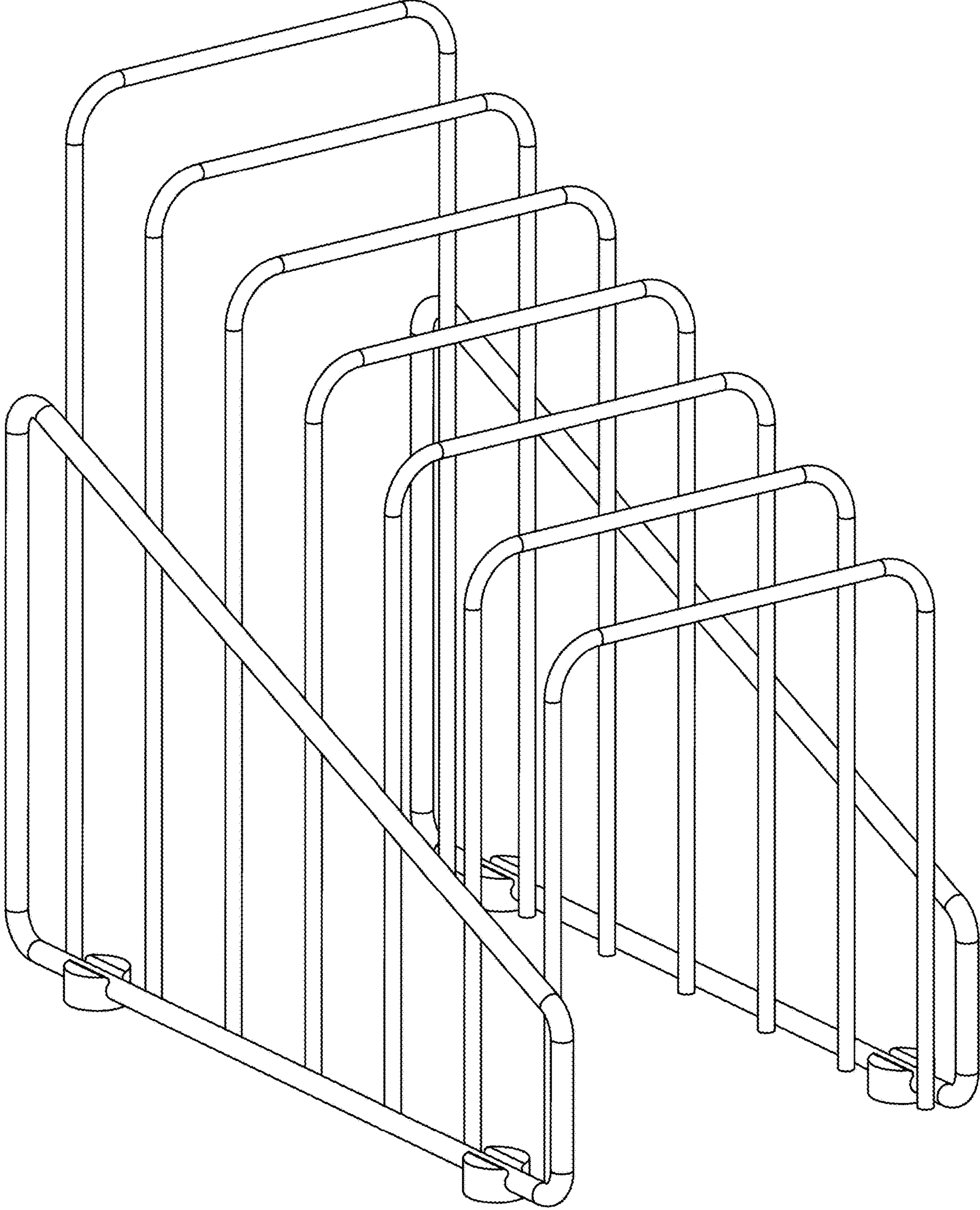


FIG.8

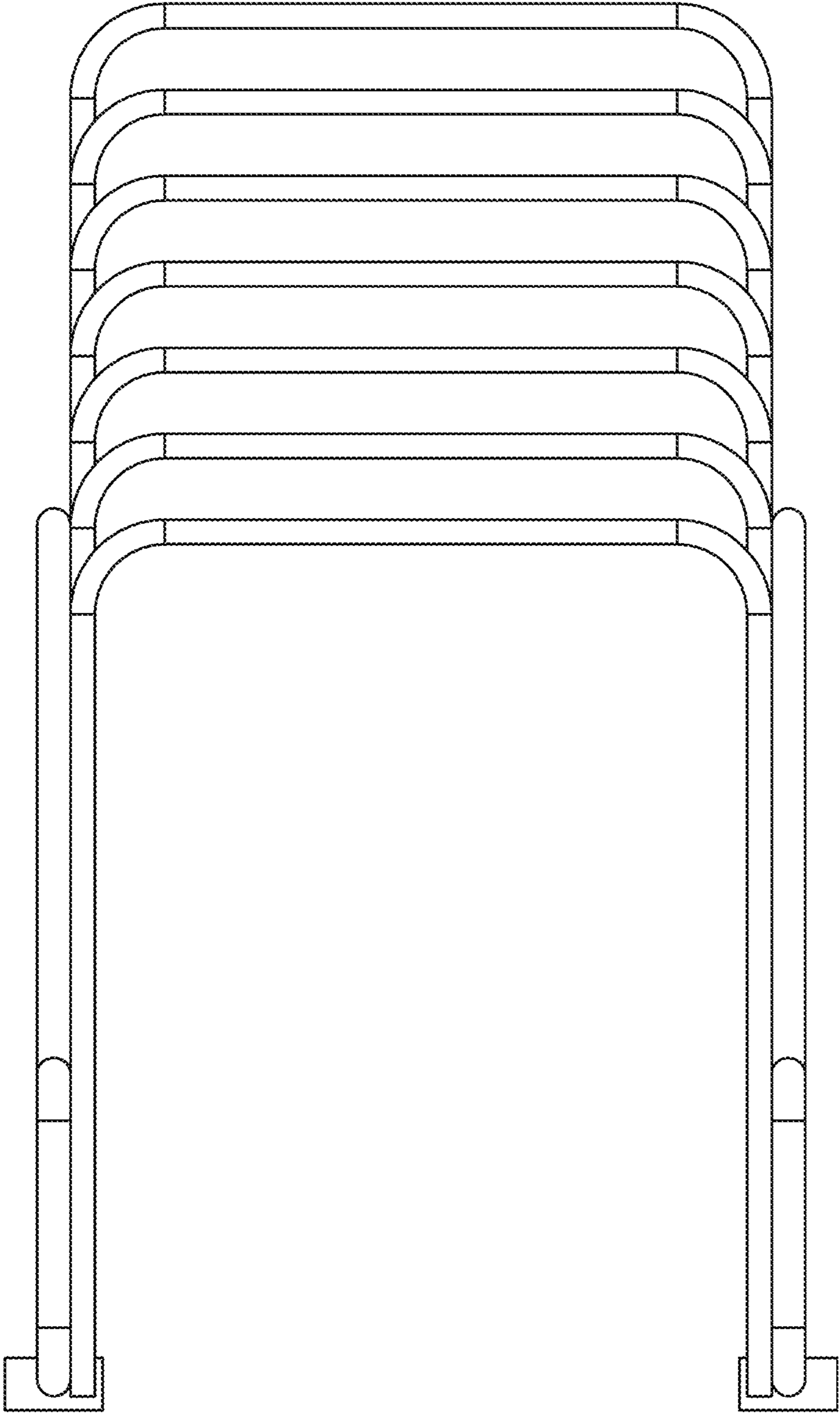


FIG.9

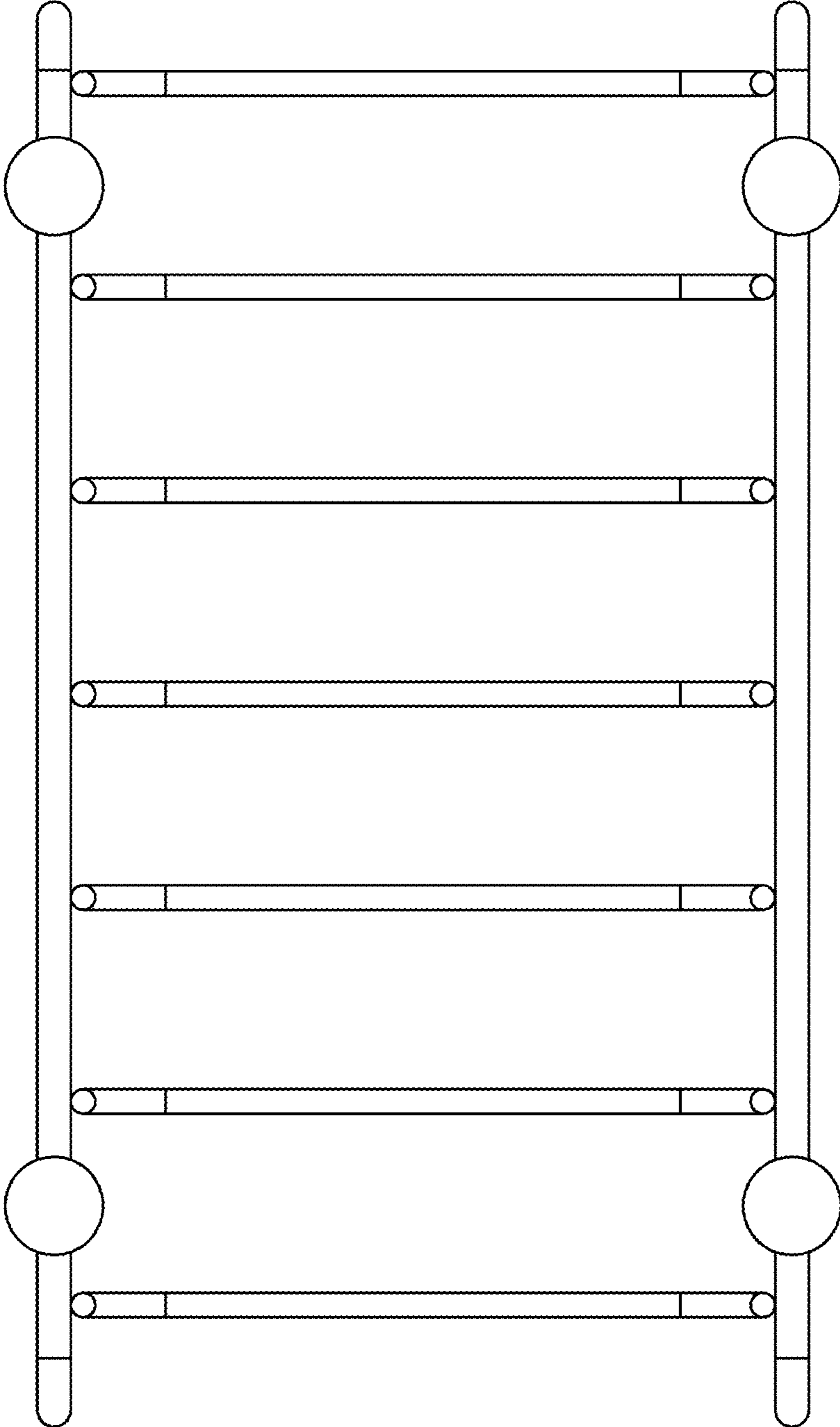


FIG.10

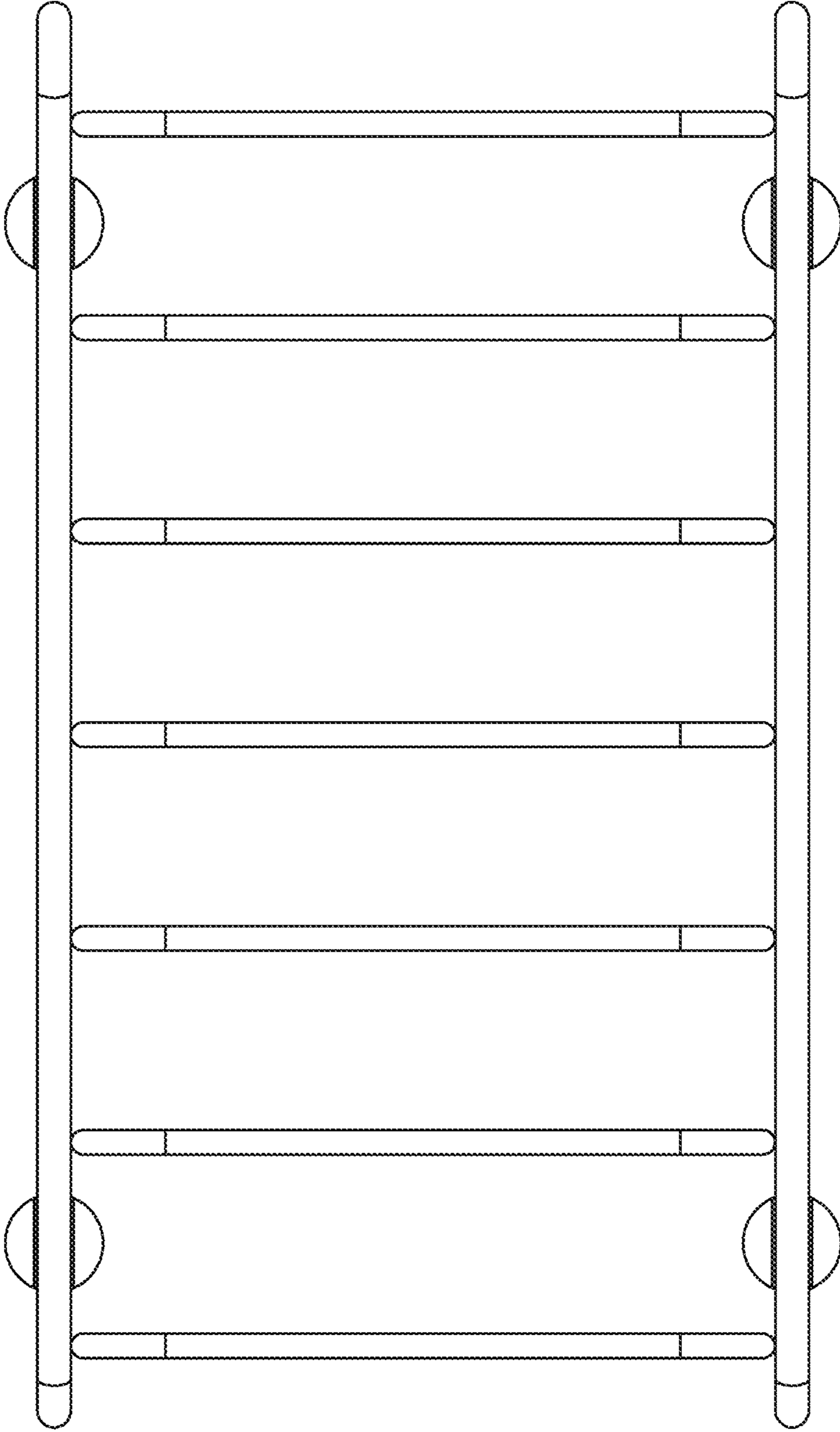


FIG.11

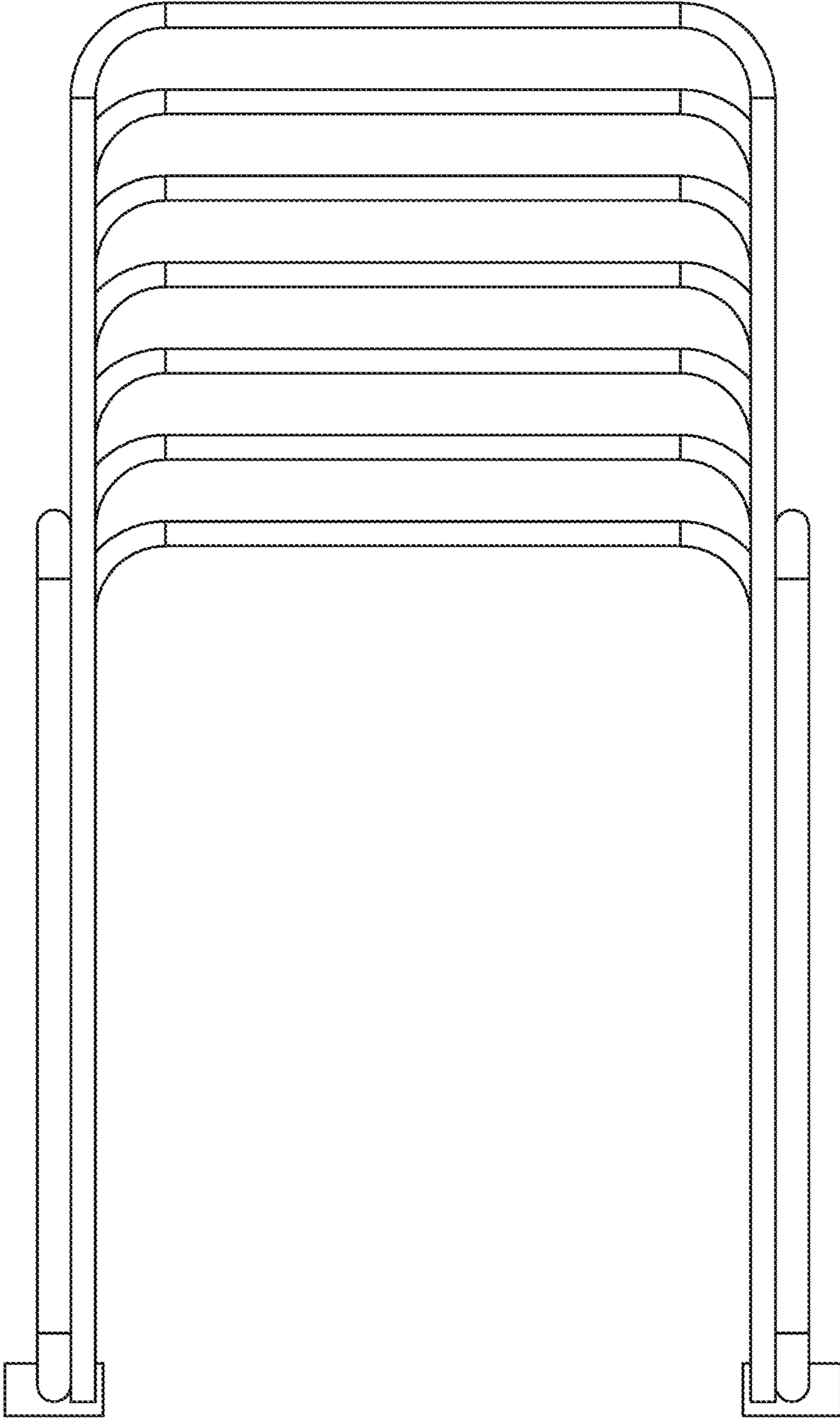


FIG.12

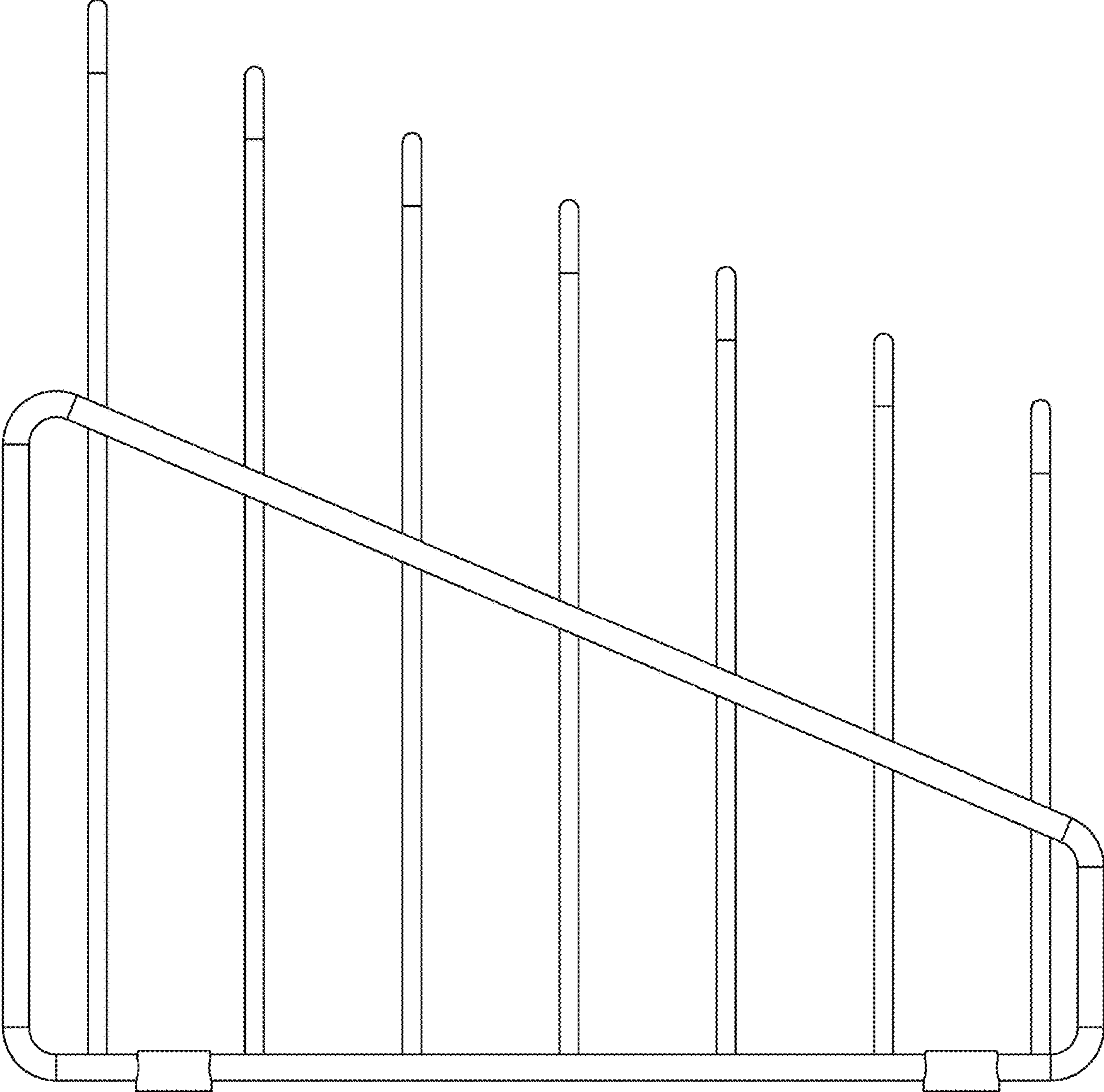


FIG.13

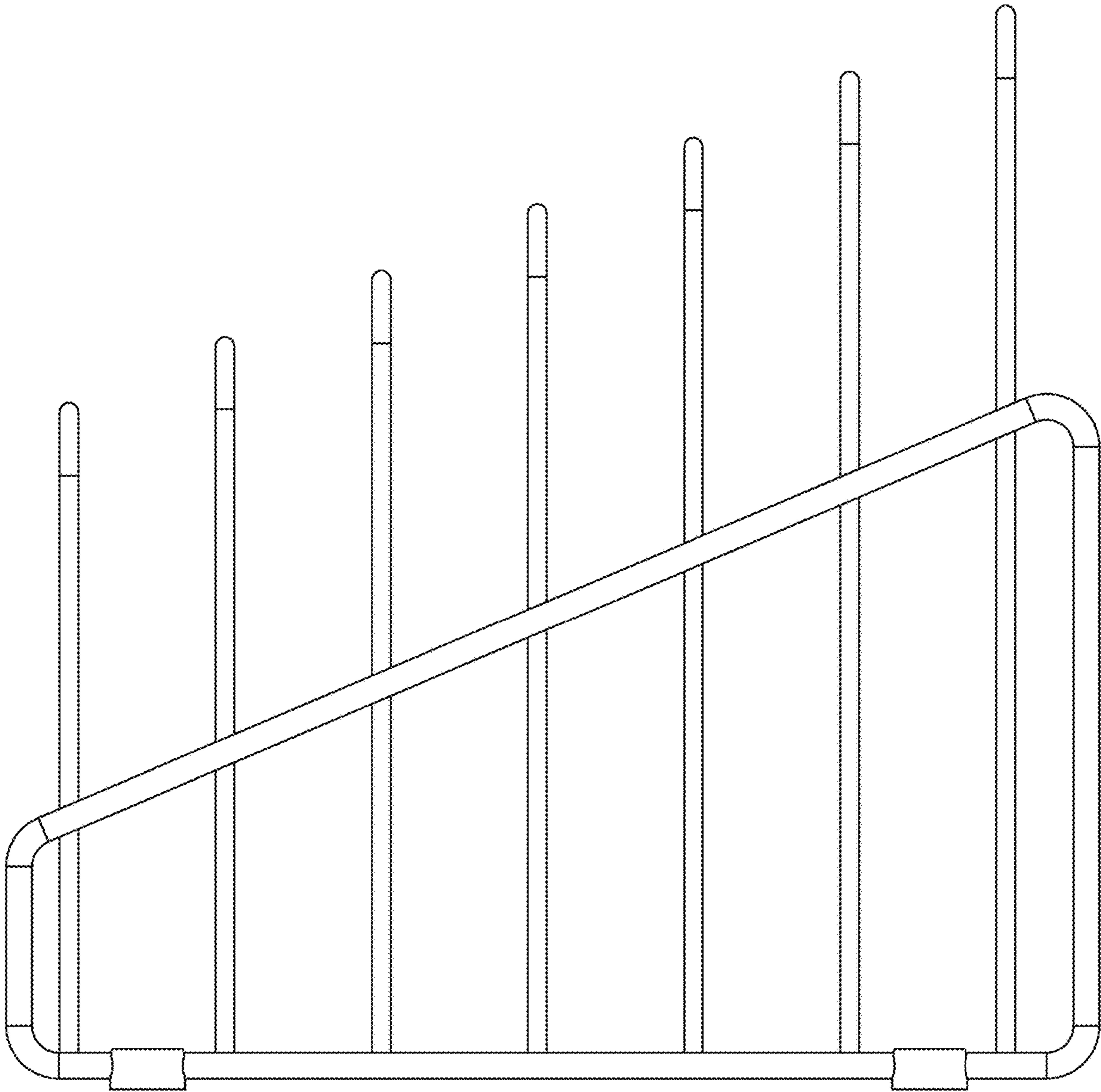


FIG.14

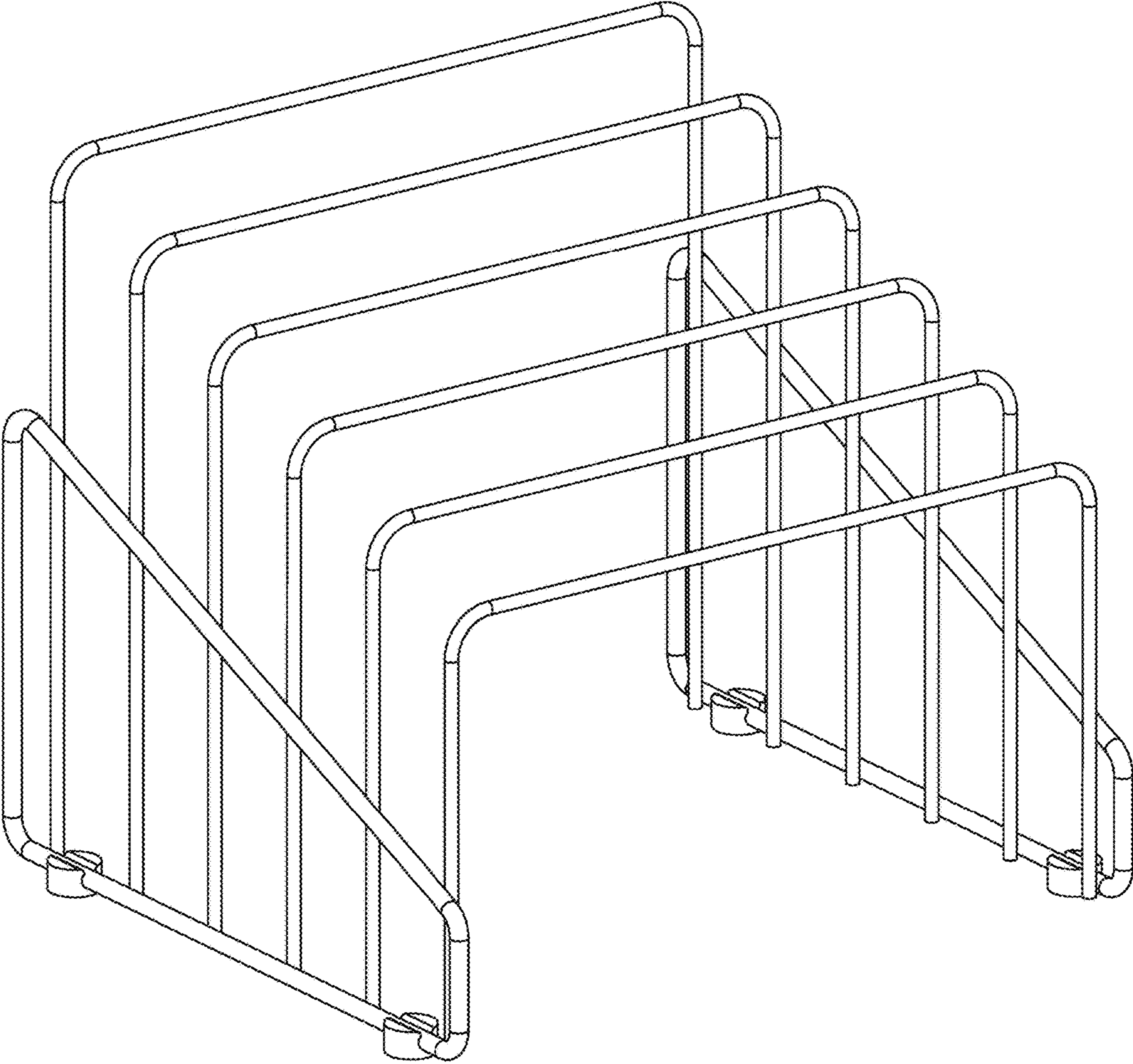


FIG.15

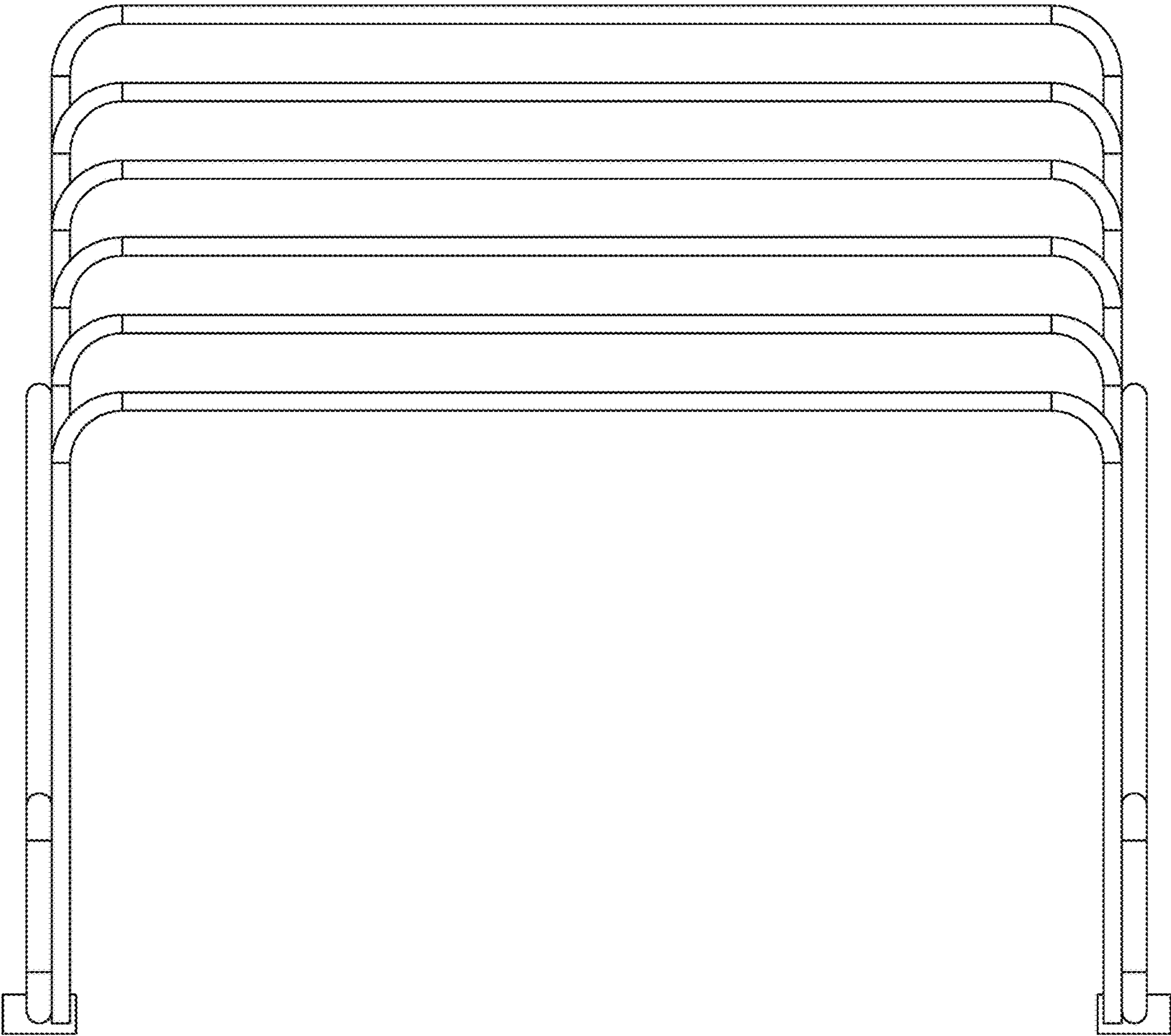


FIG.16

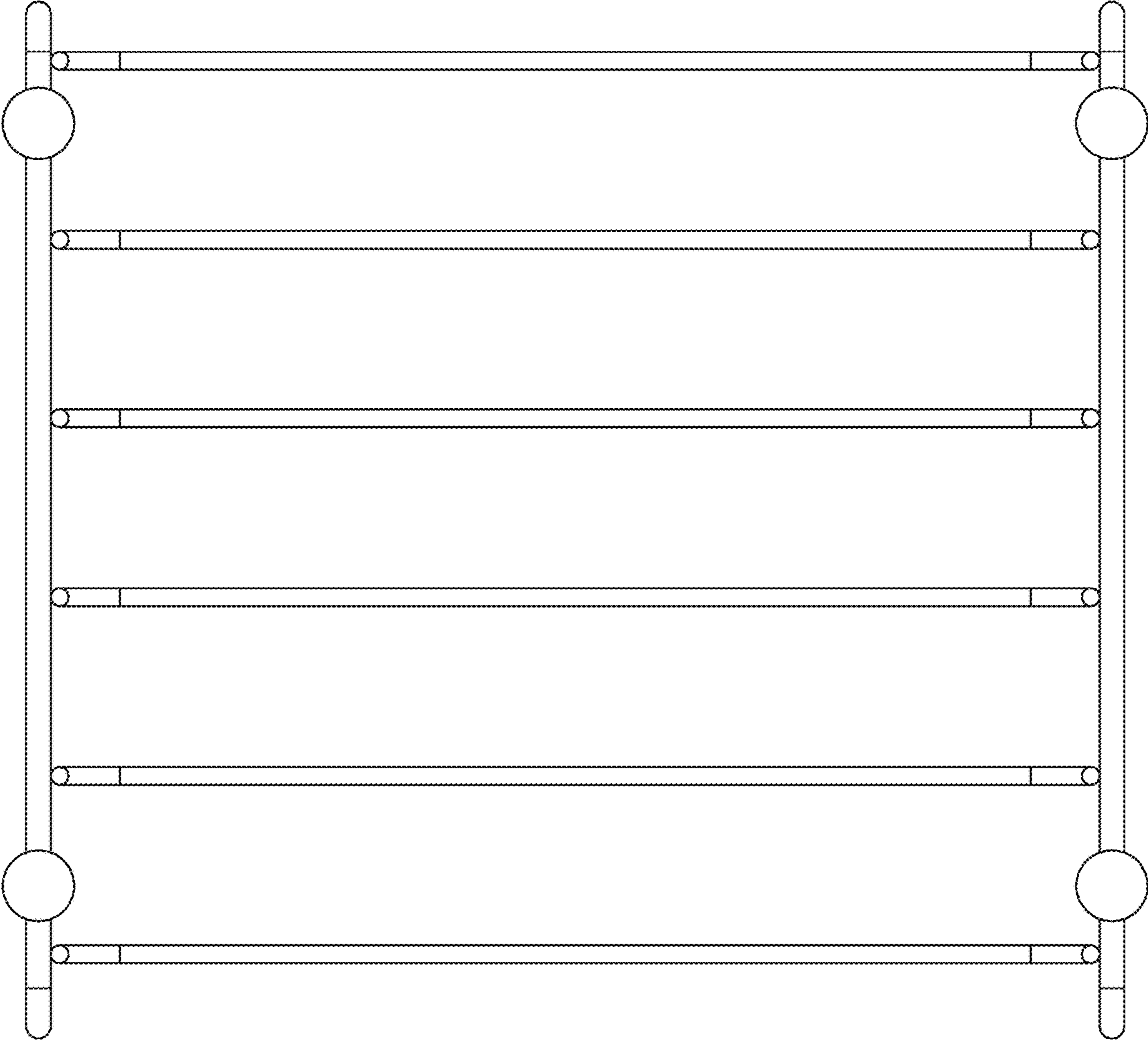


FIG.17

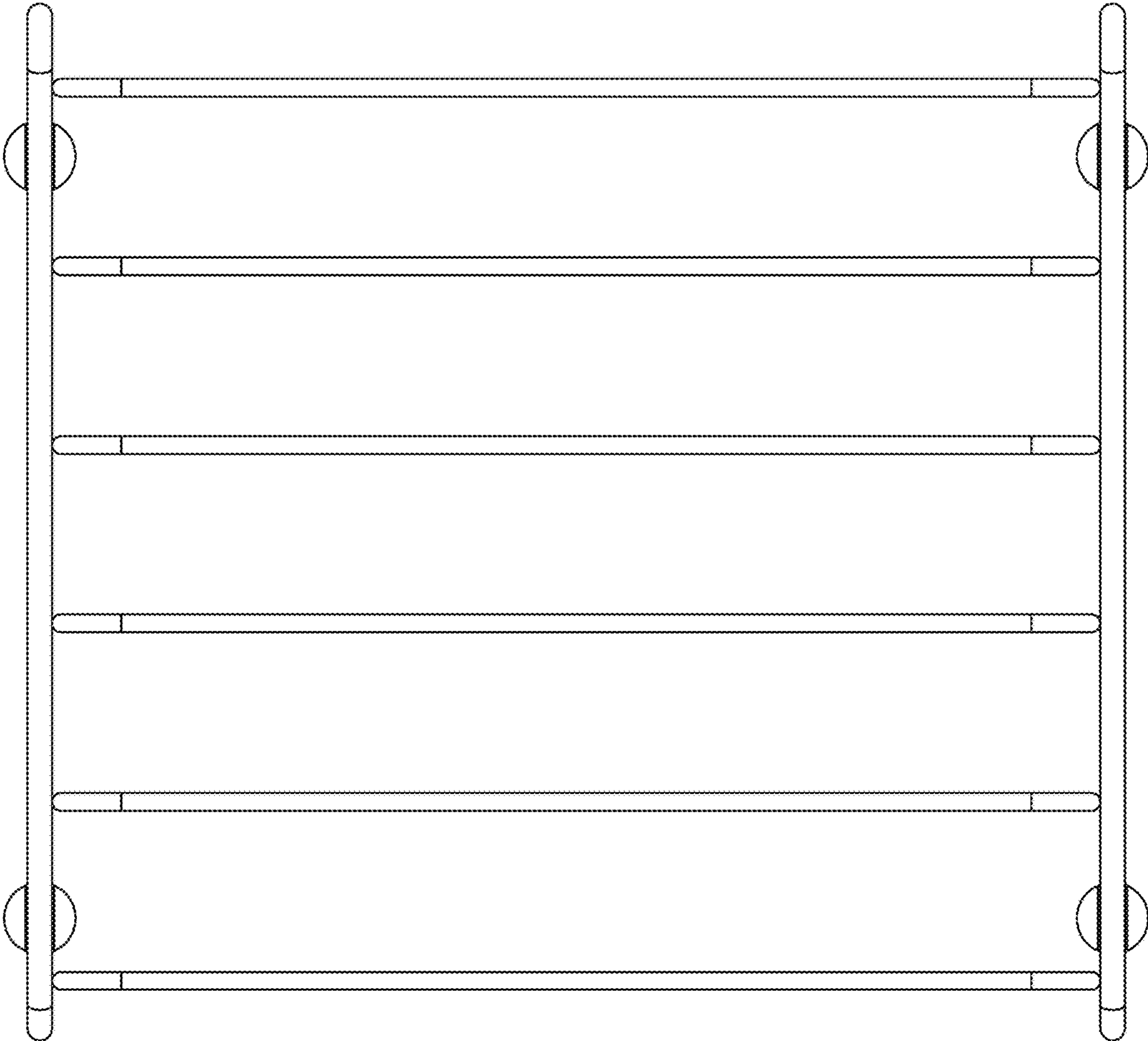


FIG.18

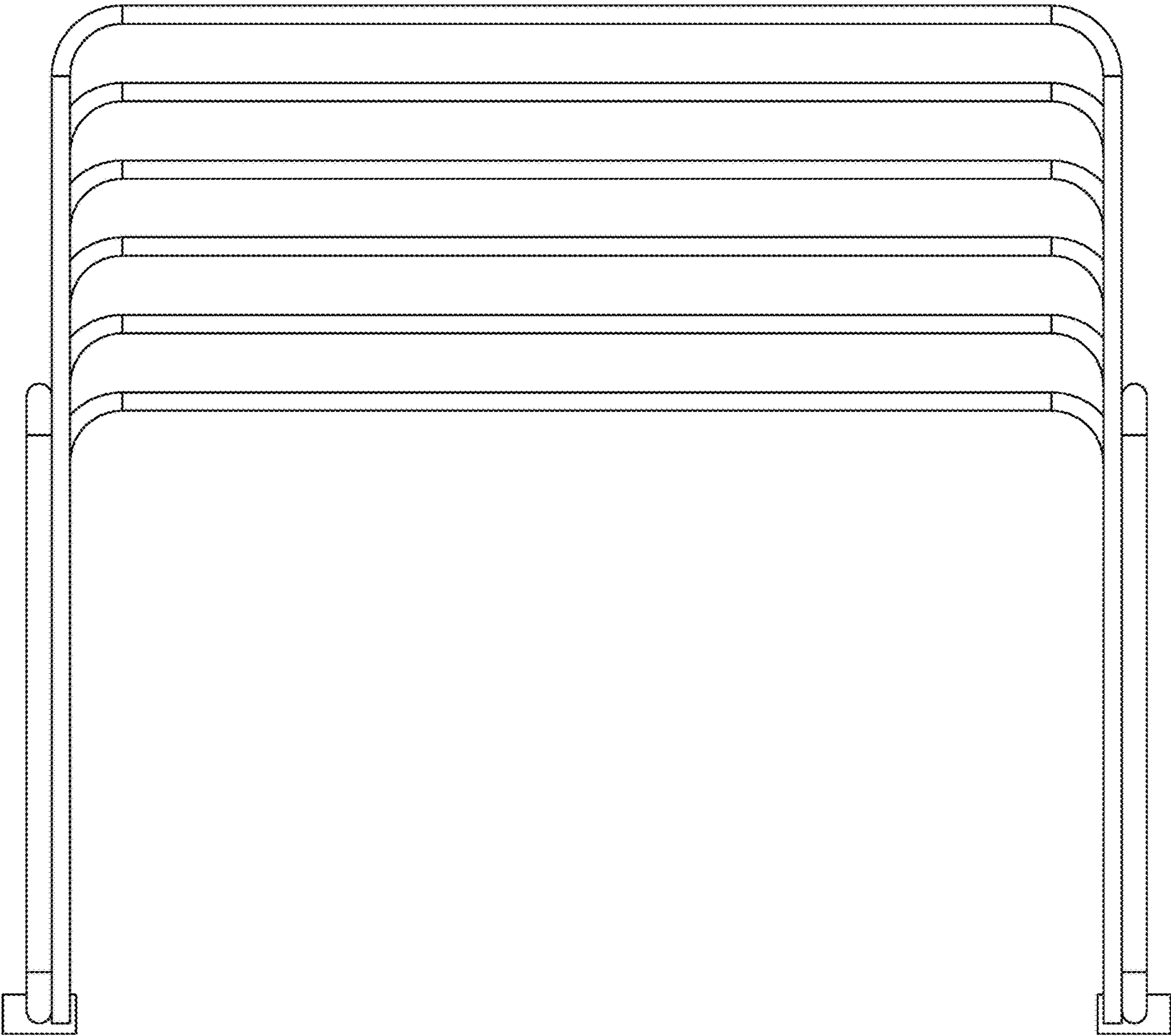


FIG.19

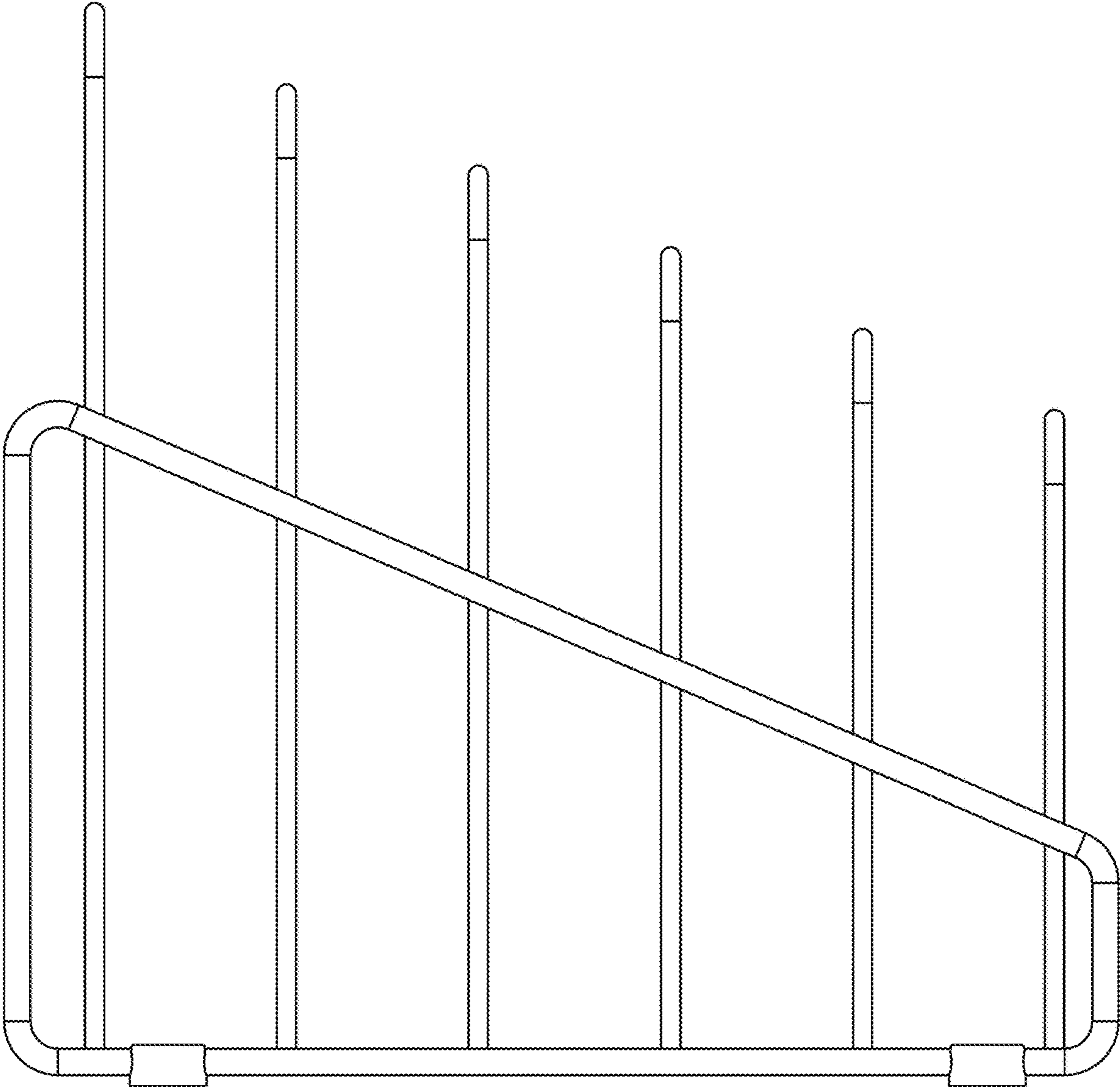


FIG.20

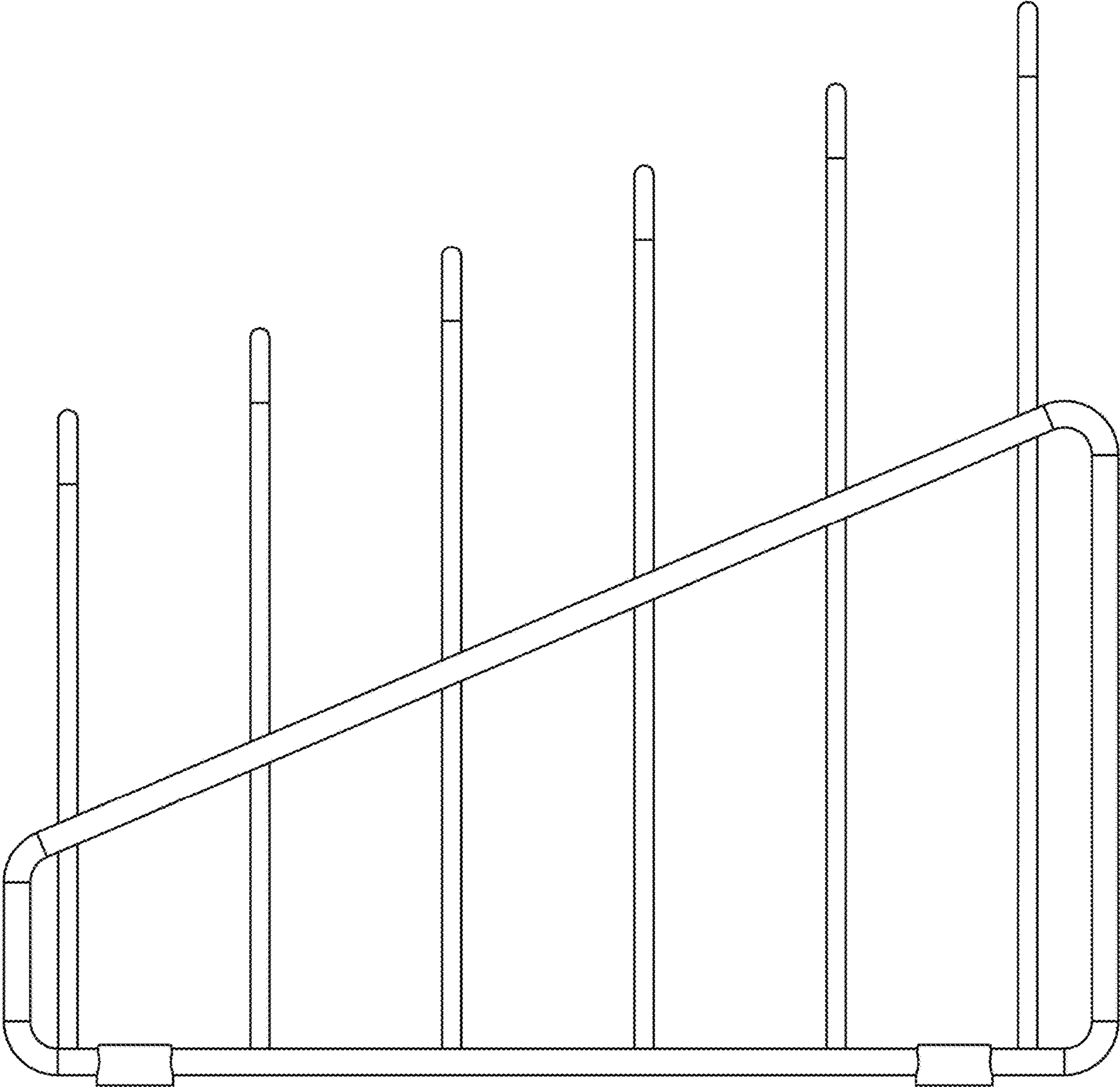


FIG.21