



US00D923083S

(12) **United States Design Patent** (10) **Patent No.:** **US D923,083 S**
Bausback et al. (45) **Date of Patent:** **** *Jun. 22, 2021**

(54) **BANKNOTE PROCESSING MACHINE**

11/50; G07D 2207/00; G07D 2211/00;
G07F 19/20; G07F 19/205

(71) Applicant: **Giesecke+Devrient Currency
Technology GmbH, Munich (DE)**

See application file for complete search history.

(72) Inventors: **Christiane Bausback, Munich (DE);
Boris Innecken, Munich (DE)**

(56) **References Cited**

(73) Assignee: **Giesecke+Devrient Currency
Technology GmbH, Munich (DE)**

U.S. PATENT DOCUMENTS

(*) Notice: This patent is subject to a terminal disclaimer.

D279,577 S * 7/1985 Kajita D18/3.3
D320,806 S * 10/1991 Inoue D18/3.3
D369,923 S * 5/1996 Crane, Jr. D14/302
6,278,795 B1 * 8/2001 Anderson G07D 7/00
382/135
D477,349 S * 7/2003 Osada D18/3.1
D560,711 S * 1/2008 Robinson D18/3.3
D562,377 S * 2/2008 Kuroda D18/3.1
D582,471 S * 12/2008 Stoddart D18/46

(**) Term: **15 Years**

(Continued)

(21) Appl. No.: **29/669,139**

OTHER PUBLICATIONS

(22) Filed: **Nov. 6, 2018**

BPS_C2_Banknote_Processing_Systems.(online img) 1 pg.[Retrieved Jun. 24, 2019]https://res.cloudinary.com/gi-de/image/upload/w_1500,c_scale,f_auto,q_auto/prod_upload/CT/2_Solutions/2-4_Cash_Processing_Solutions/2-4-1_Banknote_Processing_Systems/2-4-1_BPS_C2/new-images/190204_Header_1440x526px_C2_Family_Header.jpg*

(30) **Foreign Application Priority Data**

May 9, 2018 (EM) 005262961-0001

(Continued)

(51) **LOC (13) Cl.** **18-01**

Primary Examiner — Marie D. Fast Horse

(52) **U.S. Cl.**

(74) *Attorney, Agent, or Firm* — Workman Nydegger

USPC **D18/3.3**

(58) **Field of Classification Search**

(57) **CLAIM**

USPC ... D18/3.3, 3.1, 3.2, 4.1, 4.4, 12, 12.1, 12.2,
D18/12.3, 46, 47, 56, 59; D14/300, 301,
D14/302, 303, 307, 308, 348, 349, 432,
D14/439, 441, 448, 449, 462, 469, 471,
D14/900, 901, 902; D10/96, 97;
D99/28, 34, 35, 43, 99; D19/65, 86, 100,
D19/95, 99; D20/1, 8, 9; D15/122

The ornamental design for a banknote processing machine, as shown and described.

CPC G07G 1/00; G07G 1/0009; G07G 1/0036;
G07G 1/10; G07G 1/12; G07D 7/00;
G07D 7/04; G07D 9/008; G07D 11/00;
G07D 11/009; G07D 11/0093; G07D

DESCRIPTION

FIG. 1 is a perspective view of a banknote processing machine.

FIG. 2 is a front elevational view of the banknote processing machine of FIG. 1.

FIG. 3 is a first side elevational view of the banknote processing machine of FIG. 1.

FIG. 4 is a second side elevational view of the banknote processing machine of FIG. 1; and,

(Continued)

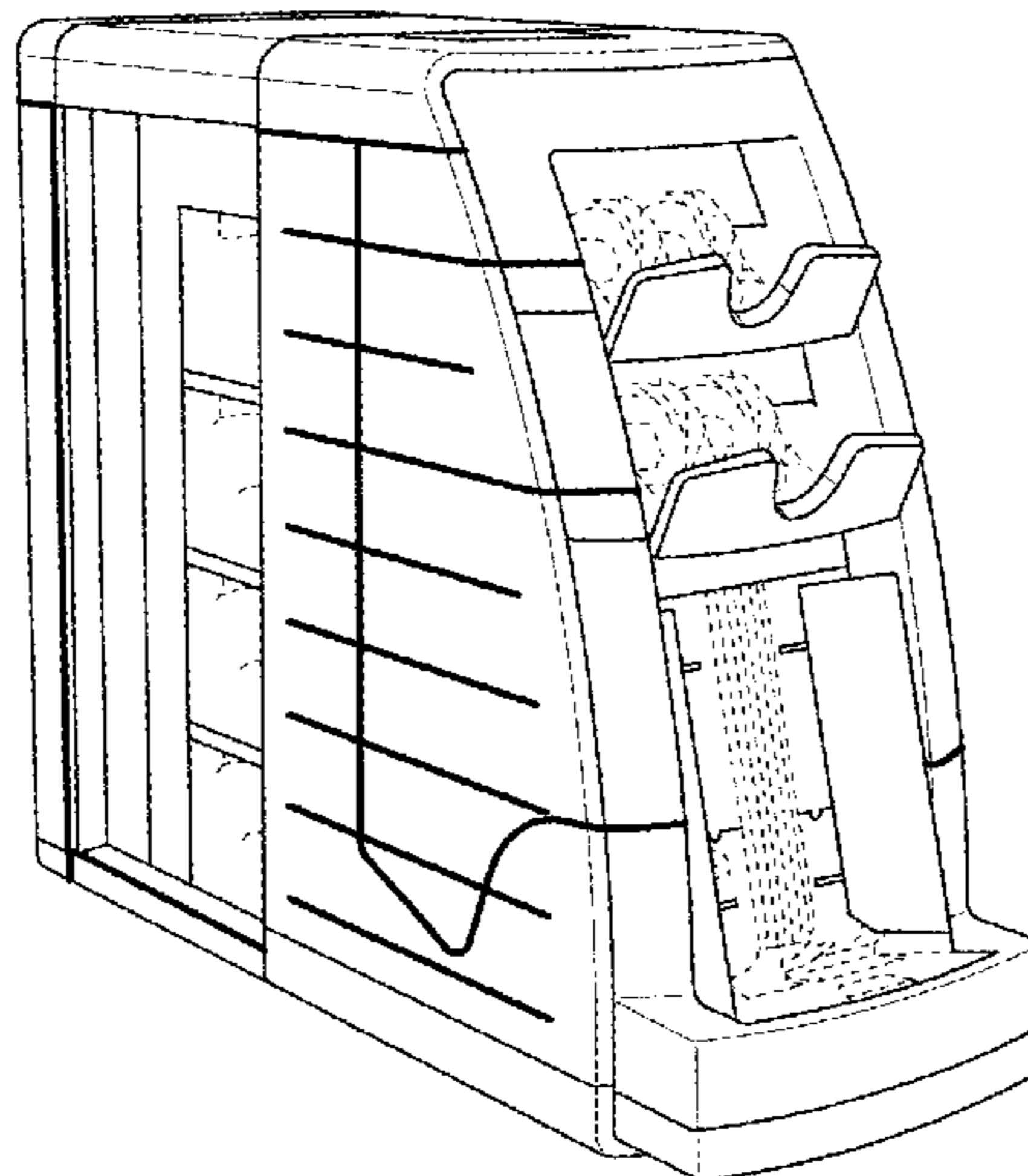


FIG. 5 is a top plan view of the banknote processing machine of FIG. 1.

The broken lines in the drawings depict portions of the banknote processing machine that form no part of the claim.

D850,524 S *	6/2019	Oba	D18/3.3
D879,873 S *	3/2020	Takahashi	D18/3.3
D886,187 S *	6/2020	Bausback	D18/3.3
D886,896 S *	6/2020	Bausback	D18/3.3
D886,897 S *	6/2020	Bausback	D18/3.3

1 Claim, 3 Drawing Sheets

OTHER PUBLICATIONS

(56)

References Cited

U.S. PATENT DOCUMENTS

D587,259 S *	2/2009	Hamaguchi	D14/300
D588,593 S *	3/2009	Hamaguchi	D14/300
D590,870 S *	4/2009	Kuwada	D18/3.1
D609,739 S *	2/2010	Nunn	D18/3.1
D617,370 S *	6/2010	Gerlier	D18/3.1
D650,007 S *	12/2011	Inage	D18/3.3
D657,815 S *	4/2012	Iwakami	D18/3.3
D676,343 S *	2/2013	Shih	D10/97
D676,344 S *	2/2013	Shih	D10/97
D686,273 S *	7/2013	Kurokawa	D18/3.3
D735,253 S *	7/2015	Bausback	D15/122

Apparatus for sorting bank notes and Cash Processing Machine. (Design—© Questel) orbit.com. [online PDF] 8 pgs. Print Dates range Jan. 7, 2004 through Oct. 27, 2009. [Retrieved on Jun. 25, 2020] <https://www.orbit.com/export/QPTUJ214/pdf2/13f1e03c-fba9-4fb0-8597-0cf1c5d84b3b-010110.pdf>.*

Money counting machines. (Design—© Questel) orbit.com. [online PDF] 91 pgs. Print Dates range Jun. 14, 2010 through Apr. 9, 2019. [Retrieved on Jun. 27, 2019] <https://sobjprd.questel.fr/export/QPTUJ214/pdf2/94a3020e-f089-4079-b33d-a26ca8475248-200355.pdf>.*

BPS-C5_brochure_jan19_en_final. (online pdf) 8pgs. 2019. [Retrieved Jun. 25, 2020] D18-3_3_BPS-C5_brochure_jan19_en_final.pdf on <https://www.gi-de.com/en/ar/currency-technology/solutions/cash-processing-solutions/banknote-processing-solutions/bps-c5/>.*

* cited by examiner

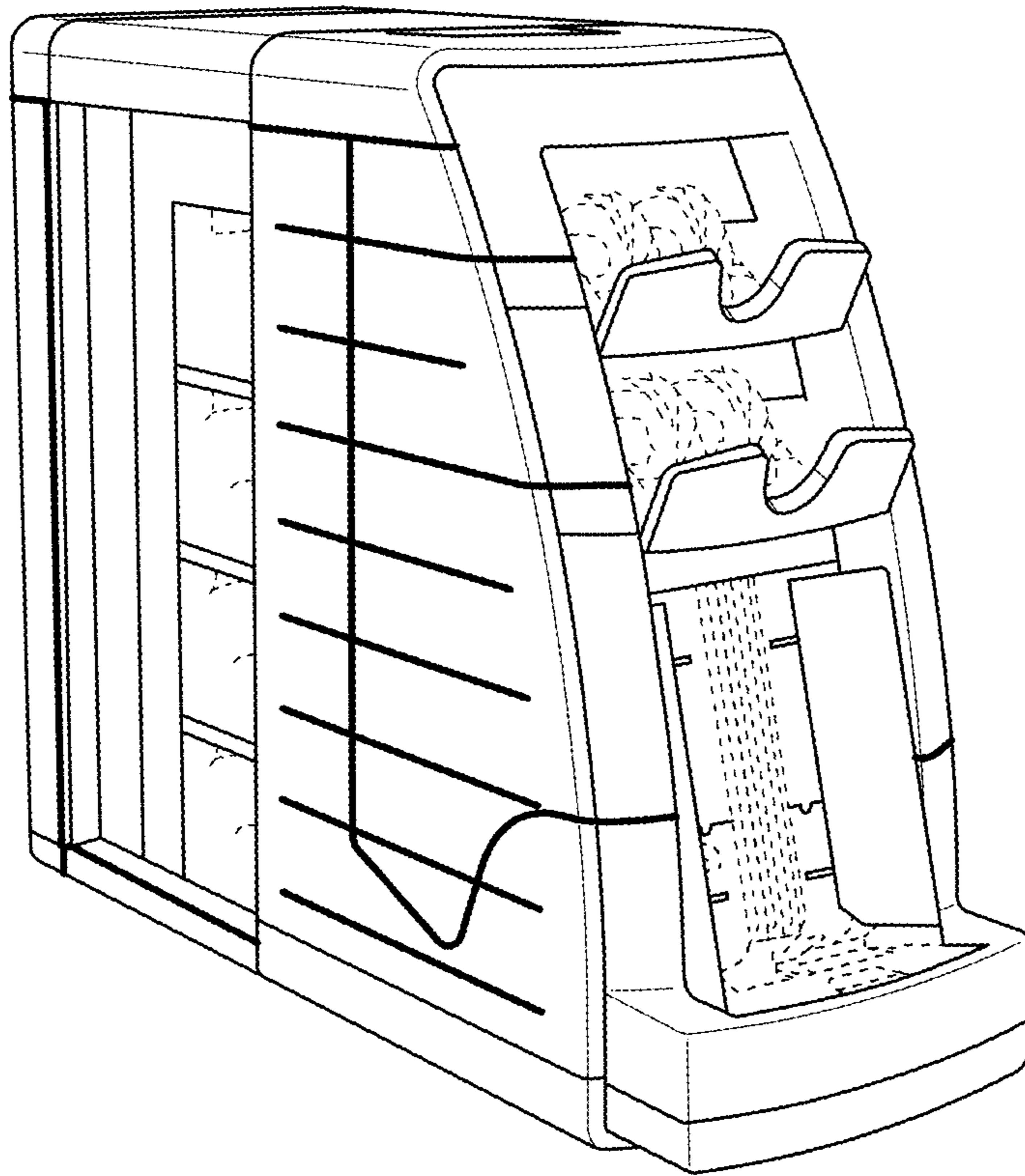


FIG. 1

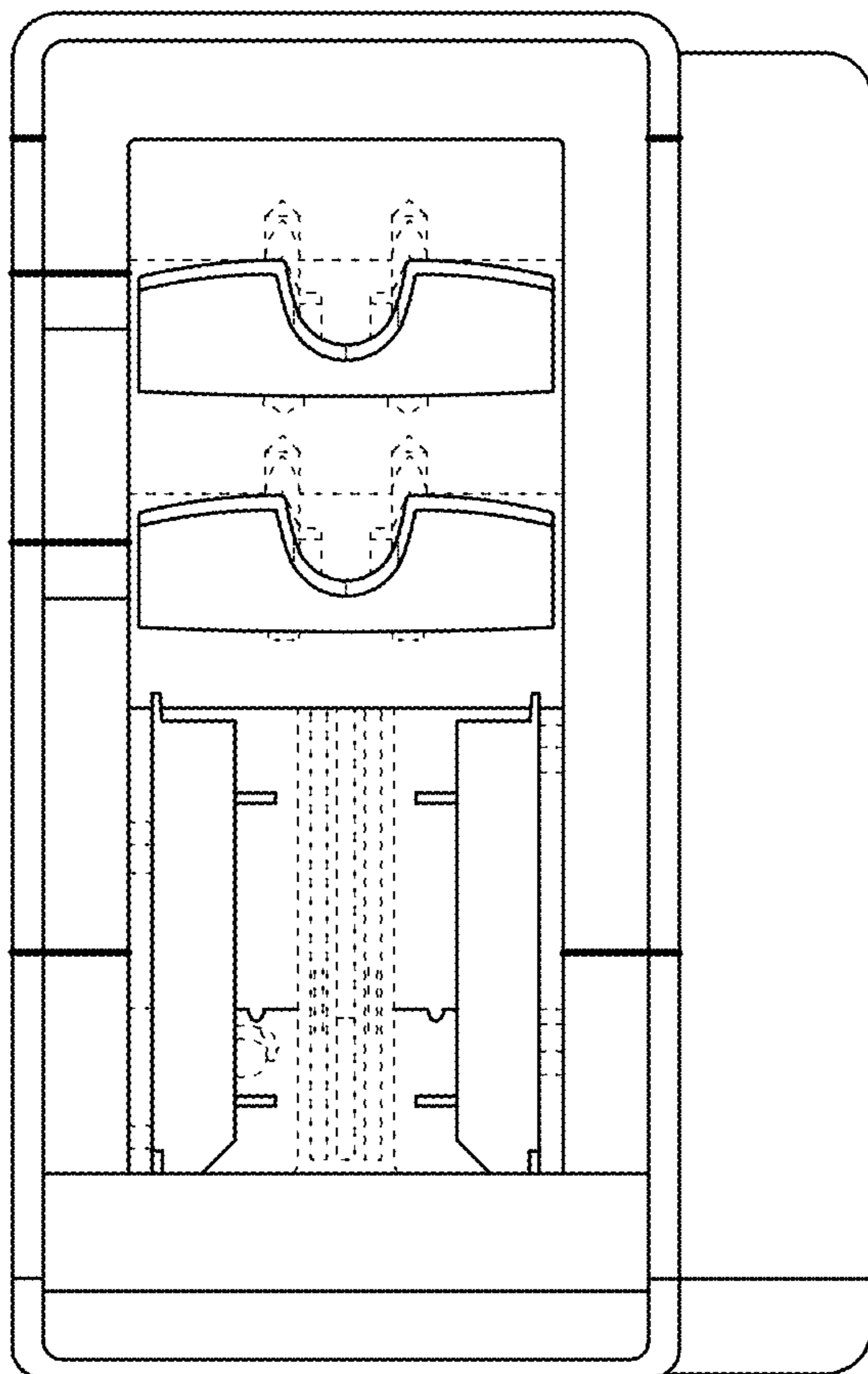


FIG. 2

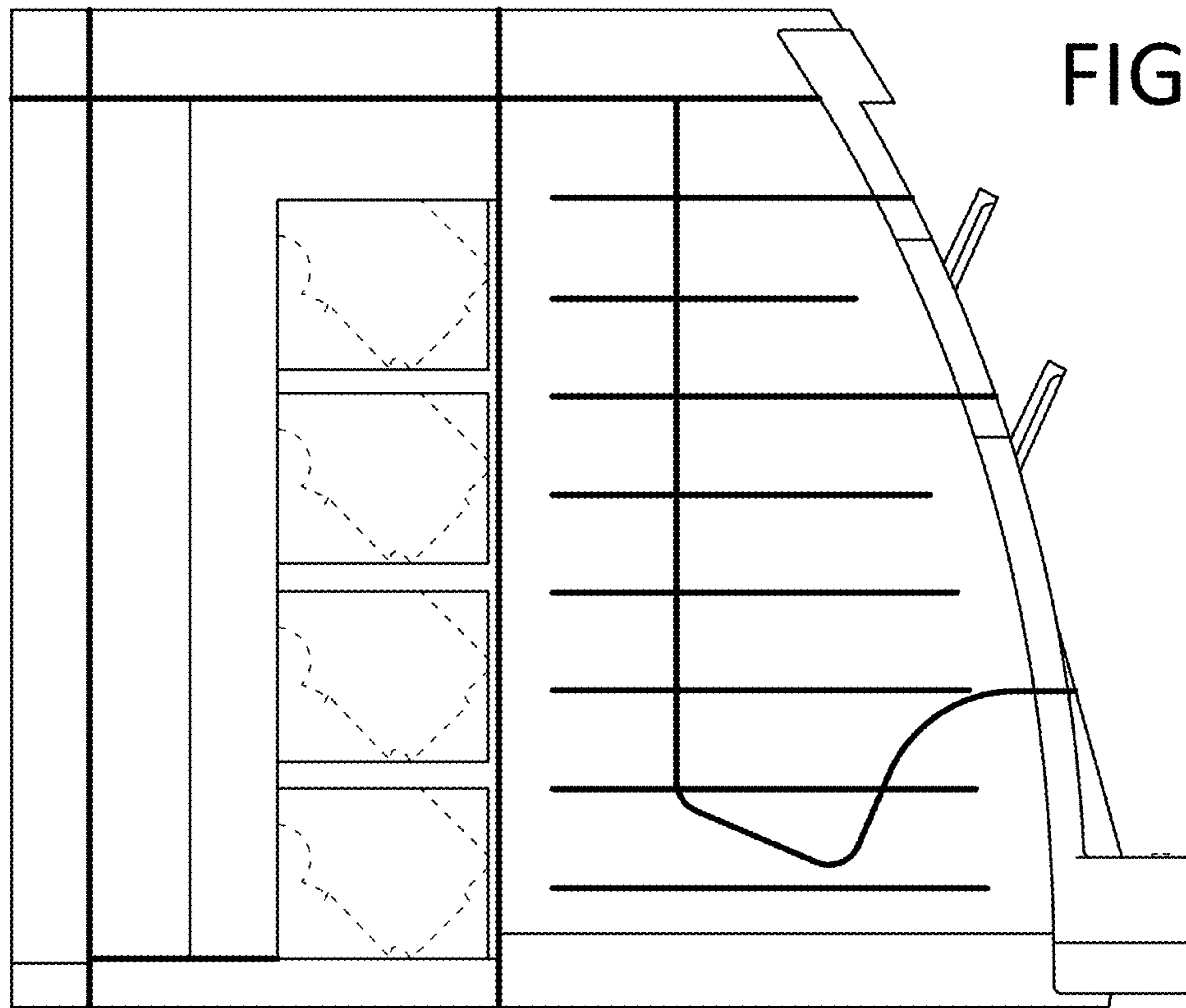


FIG. 3

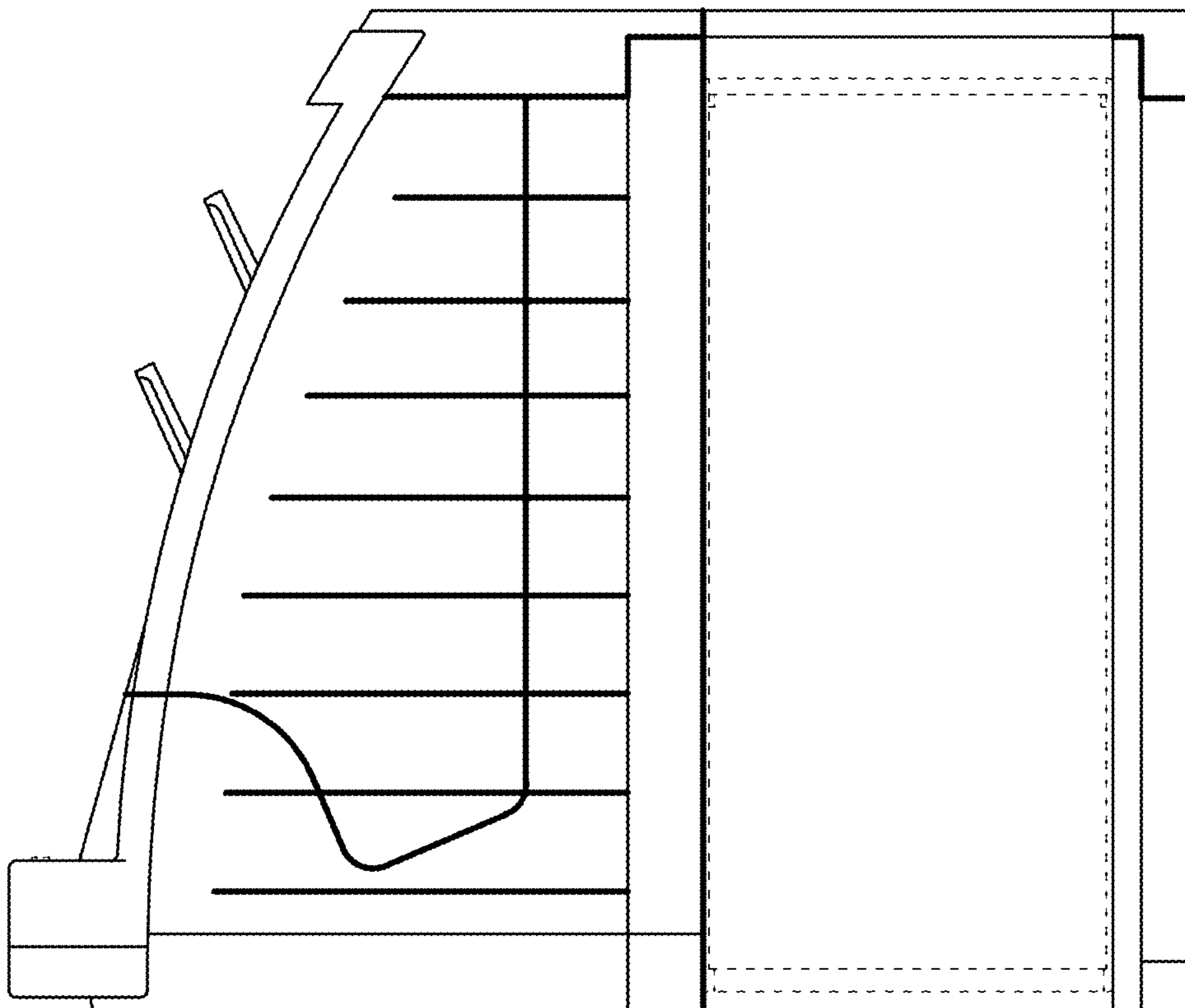


FIG. 4

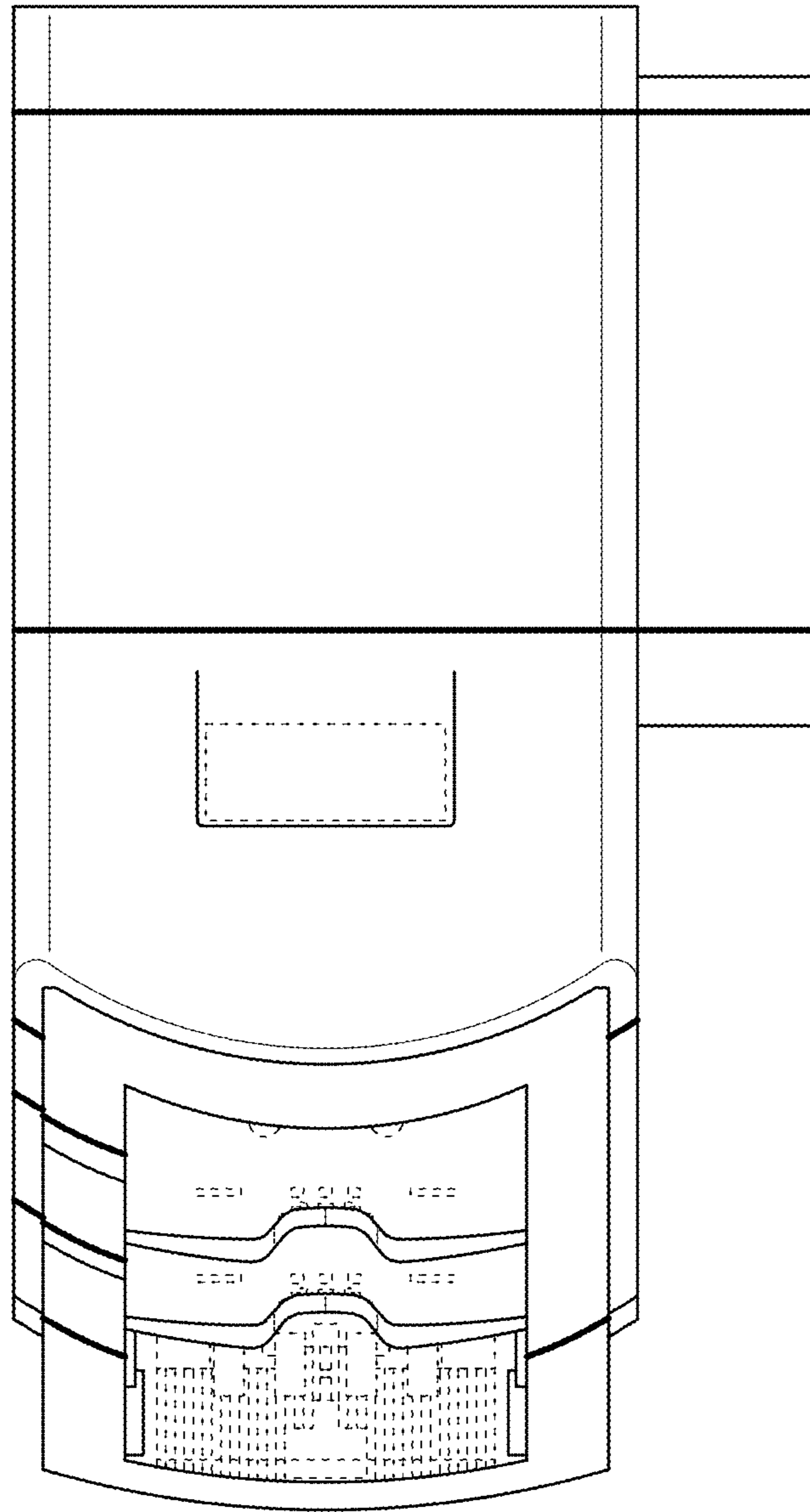


FIG. 5