



US00D923081S

(12) **United States Design Patent**
Yang

(10) **Patent No.:** **US D923,081 S**
(45) **Date of Patent:** **** Jun. 22, 2021**

(54) **THUMB PIANO**

(71) Applicant: **Fei Yang**, Guangzhou (CN)

(72) Inventor: **Fei Yang**, Guangzhou (CN)

(**) Term: **15 Years**

(21) Appl. No.: **29/763,883**

(22) Filed: **Dec. 25, 2020**

(30) **Foreign Application Priority Data**

Sep. 24, 2020 (CN) 202030571682.8

(51) **LOC (13) Cl.** **17-01**

(52) **U.S. Cl.**
USPC **D17/7**

(58) **Field of Classification Search**
USPC D17/1, 2, 7, 99; D21/405, 409;
D14/203.1
CPC G10C 1/00; G10C 1/02; G10C 3/12
See application file for complete search history.

(56) **References Cited**

U.S. PATENT DOCUMENTS

- 1,763,518 A * 6/1930 Haweis G10D 13/08
84/408
- 3,610,085 A * 10/1971 Wilson et al. G10D 13/08
84/402
- D222,813 S * 1/1972 Wilson D17/99
- 3,961,553 A * 6/1976 Schorr G10D 13/08
84/408
- D688,729 S 8/2013 Trinca

OTHER PUBLICATIONS

Amazon. <https://www.amazon.com/Thumb-Pianos-Professional-Instrument-Instructions/dp/B092SHX41> R/ref=sr_1_55?dchild=1&keywords=thumb+piano&qid=1620326940&sr=8-55. "Thumb Pianos 17 Keys Kalimba". Date unknown: Viewed May 2021 (Year: 2021).*

* cited by examiner

Primary Examiner — R. Johnson

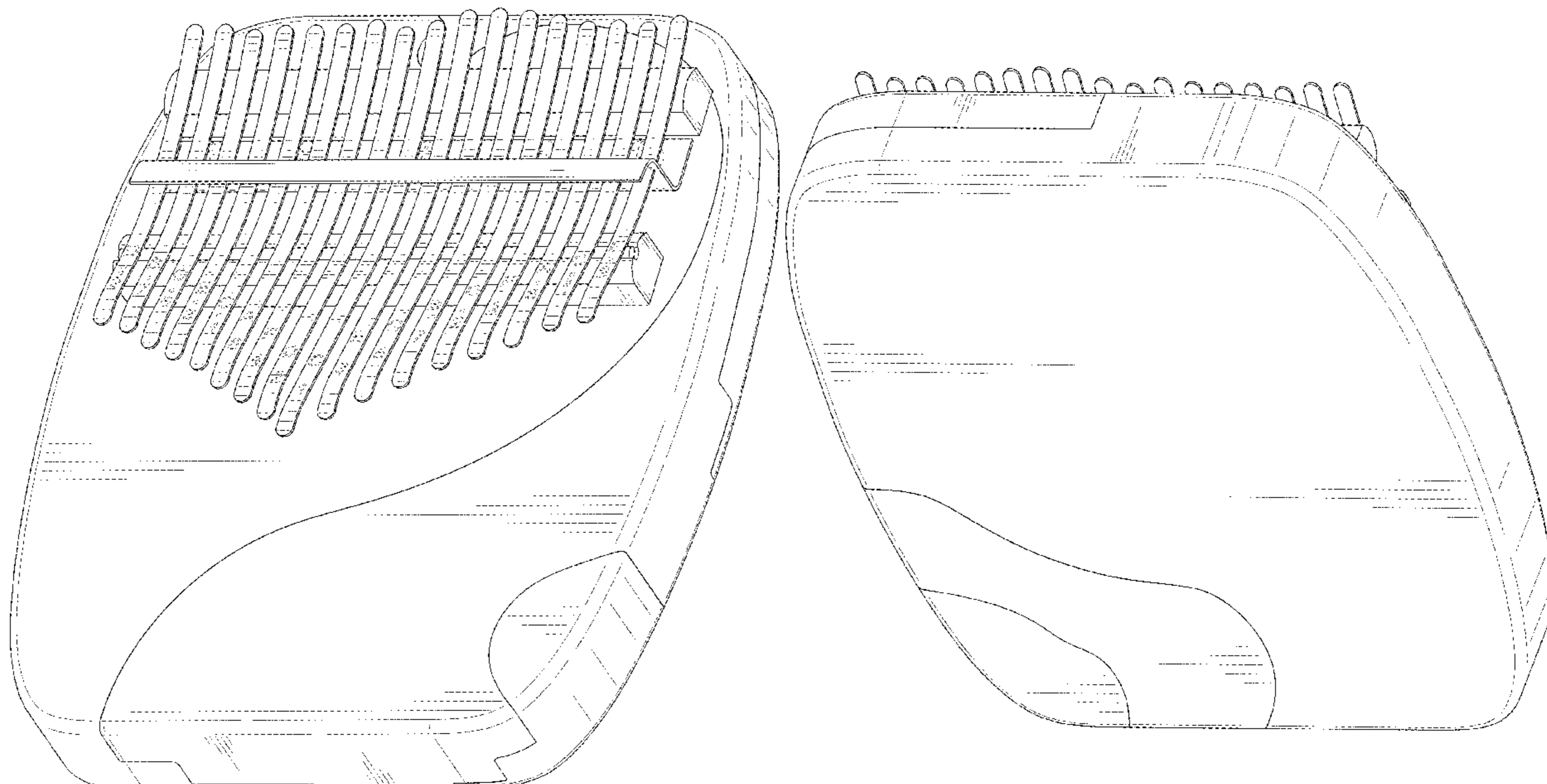
(57) **CLAIM**

The ornamental design for a thumb piano, as shown and described.

DESCRIPTION

FIG. 1 is a perspective view of a thumb piano showing my new design;
FIG. 2 is another perspective view thereof;
FIG. 3 is a front elevational view thereof;
FIG. 4 is a rear elevational view thereof;
FIG. 5 is a left side elevational view thereof;
FIG. 6 is a right side elevational view thereof;
FIG. 7 is a top plan view thereof; and,
FIG. 8 is a bottom plan view thereof.
The broken lines in the drawings depict portions of the thumb piano that form no part of the claimed design.

1 Claim, 8 Drawing Sheets



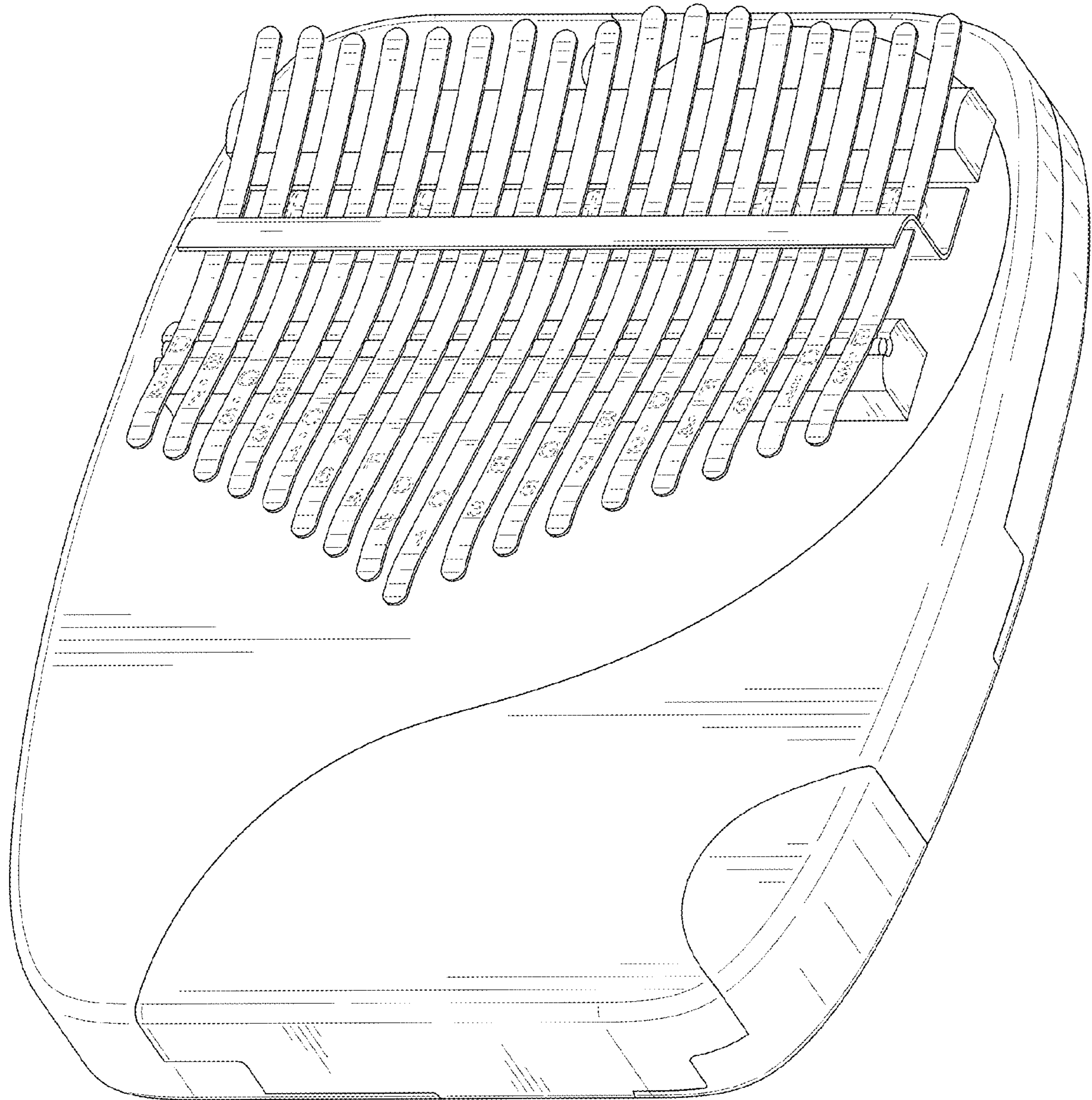


FIG. 1

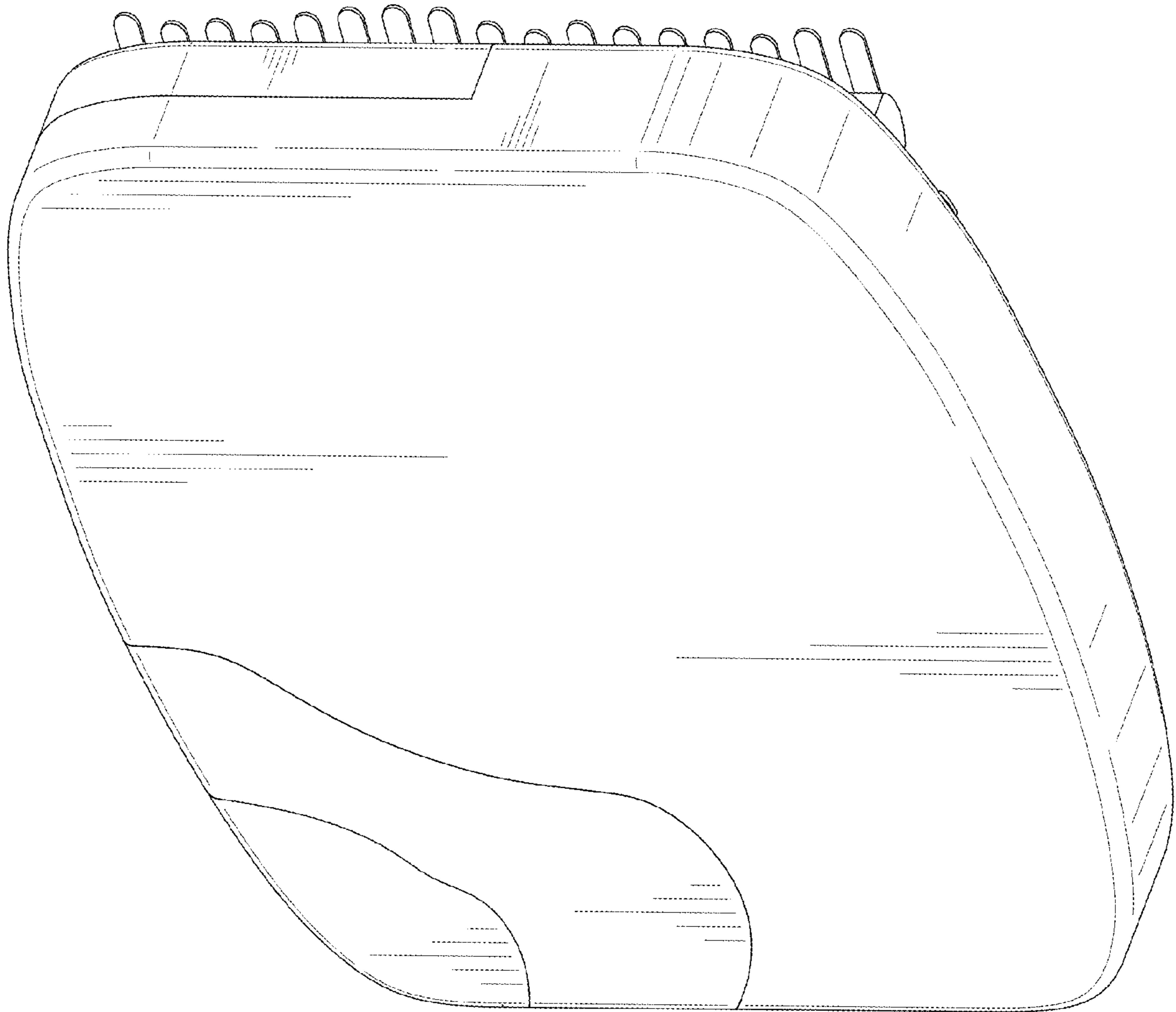


FIG. 2

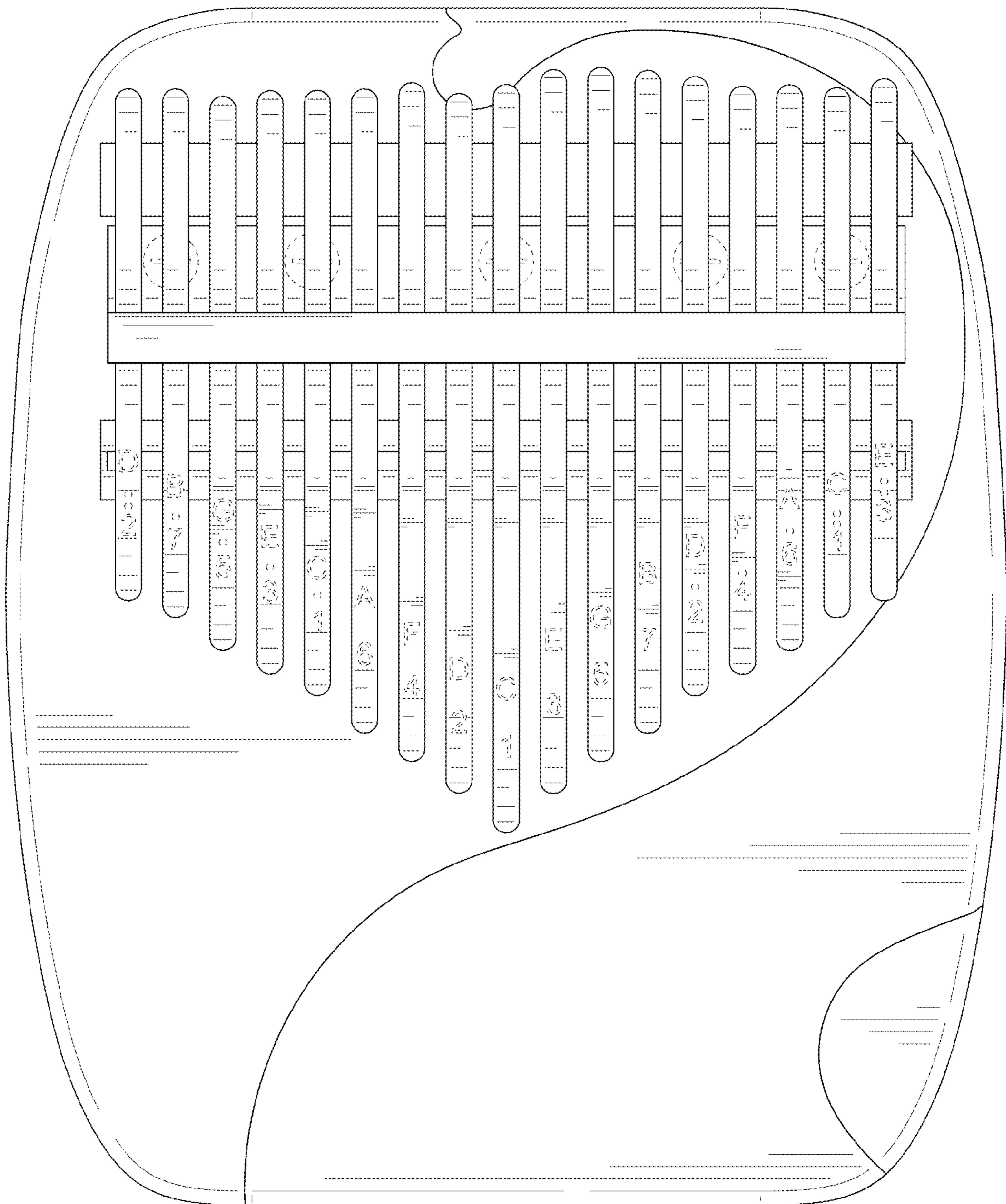


FIG. 3

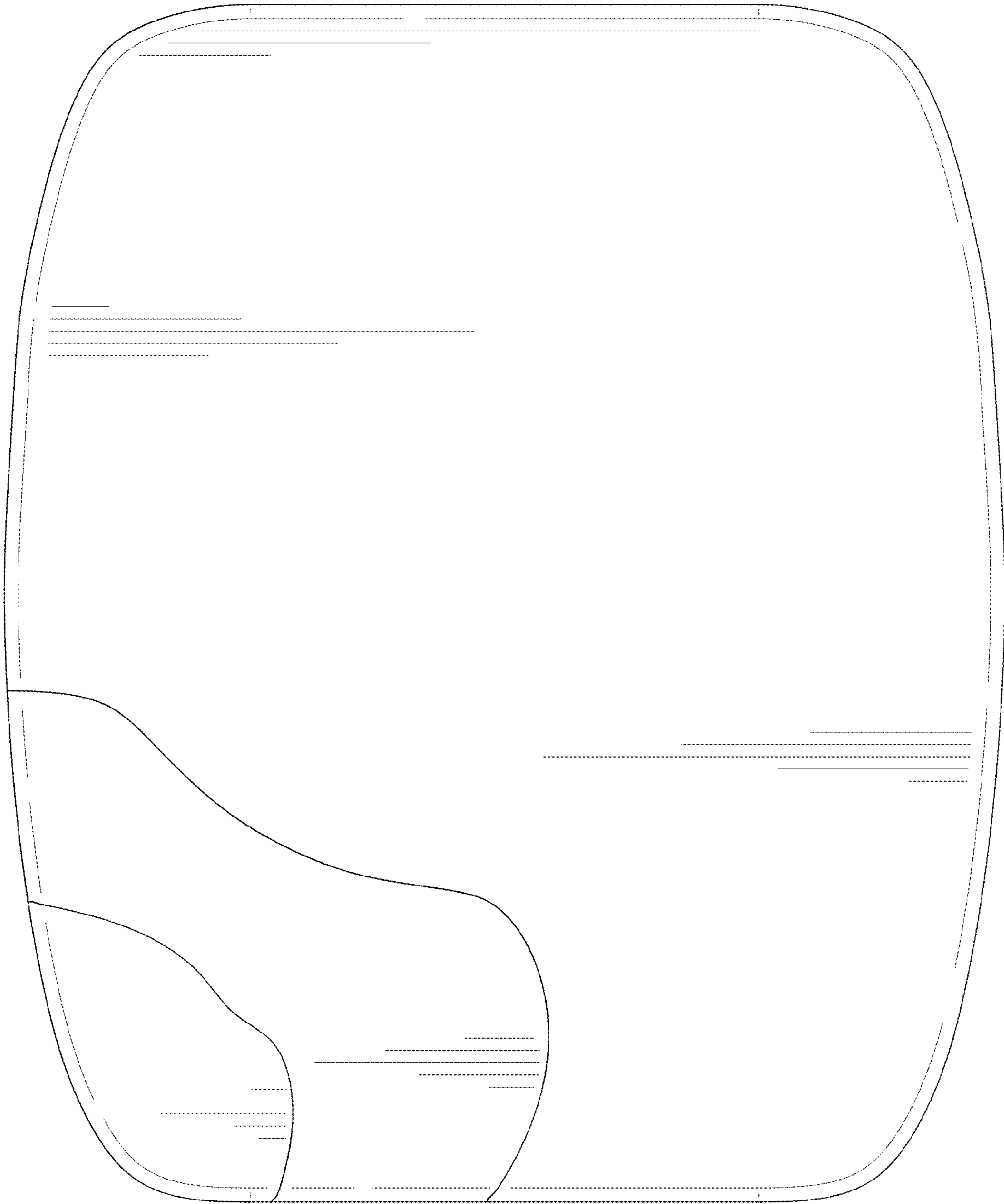


FIG. 4

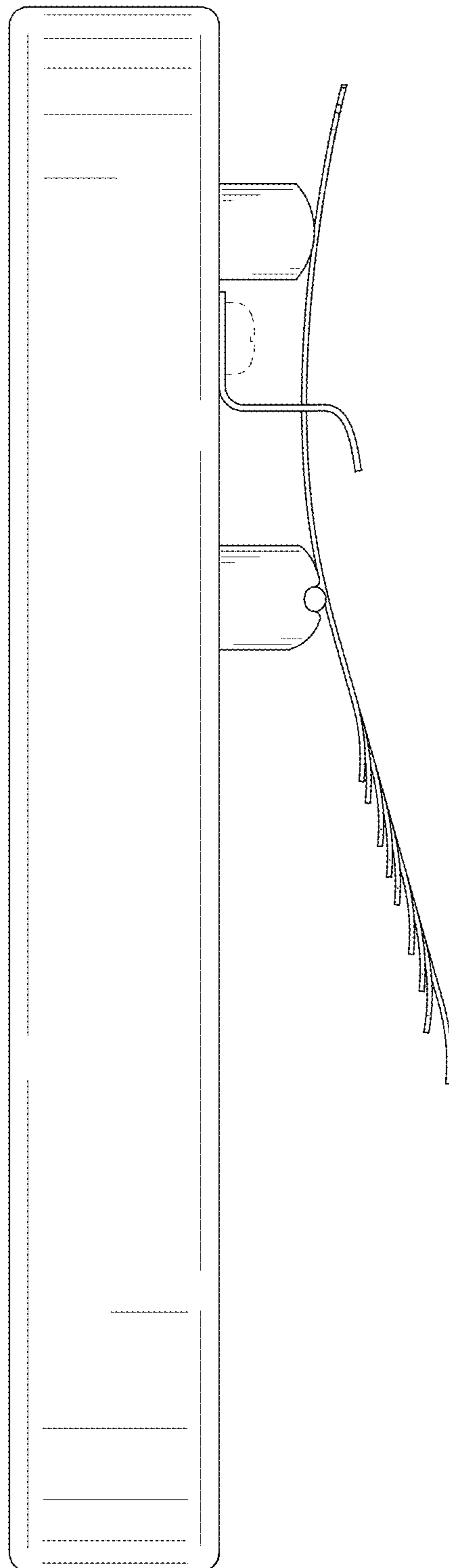


FIG. 5

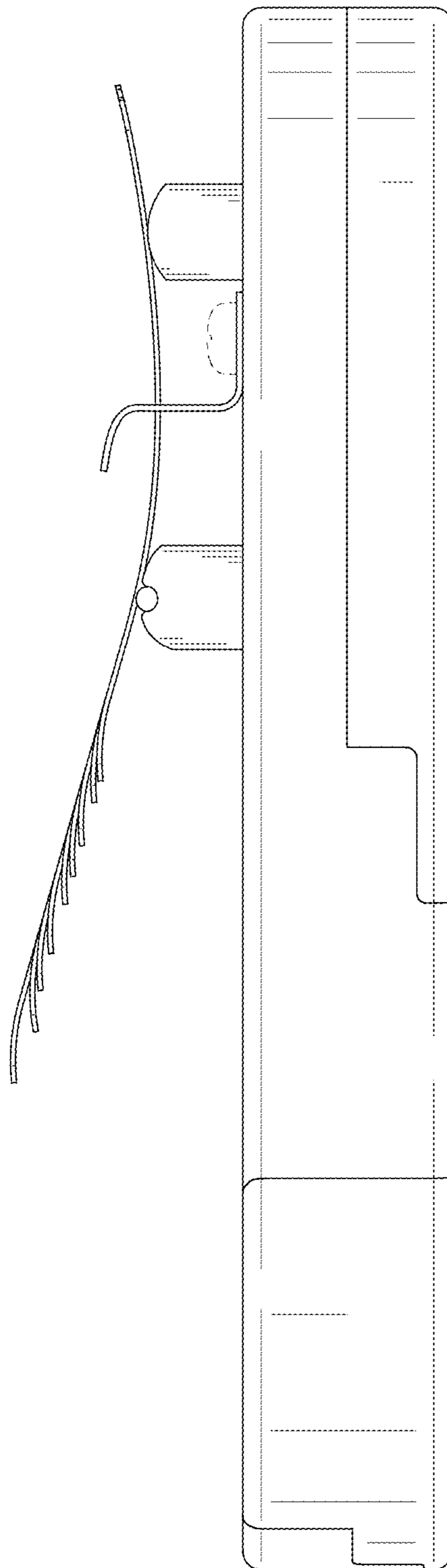


FIG. 6

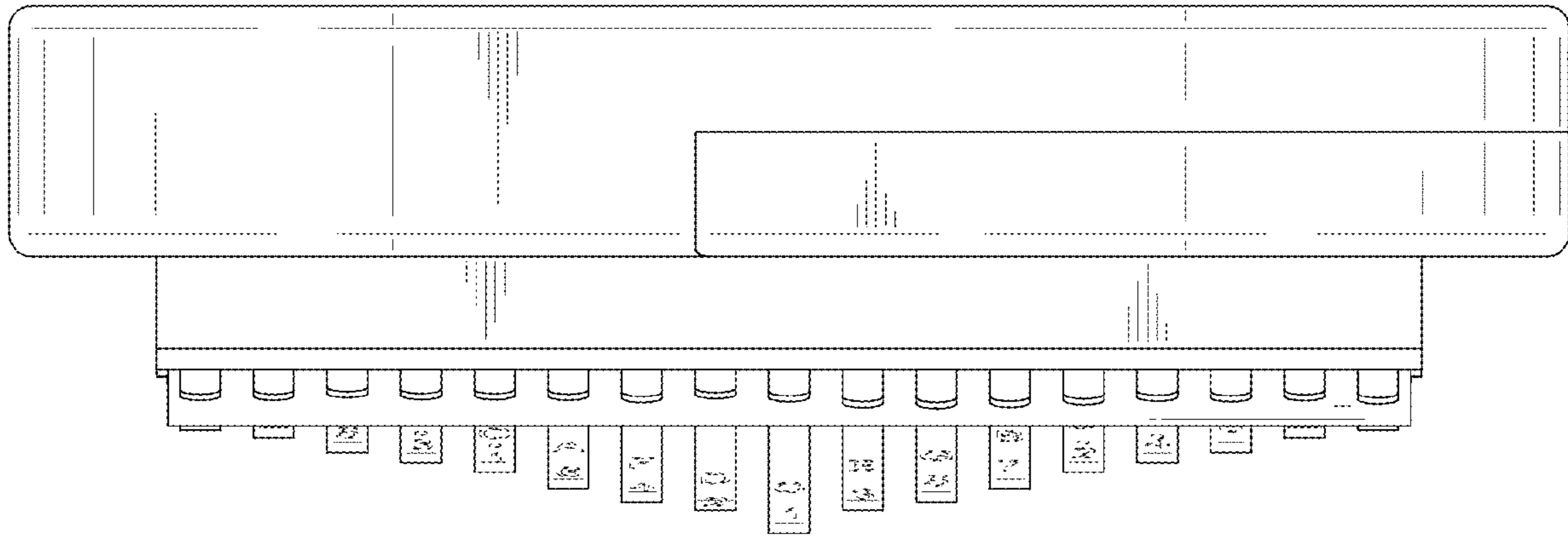


FIG. 7

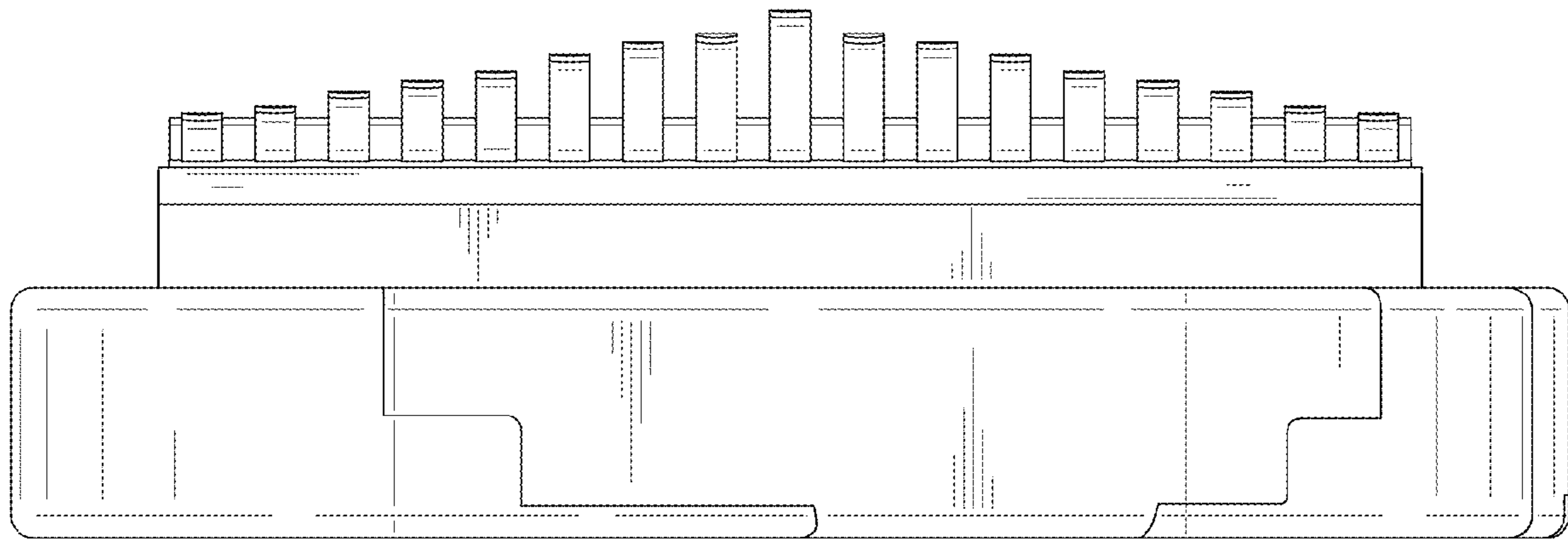


FIG. 8