



US00D923080S

(12) **United States Design Patent**
Iarossi

(10) **Patent No.:** **US D923,080 S**
(45) **Date of Patent:** **** Jun. 22, 2021**

(54) **HINGE FOR SPECTACLES**

(71) Applicant: **SAFILO - Società Azionaria Fabbrica Italiana Lavorazione Occhiali—S.p.A.**, Padua (IT)

(72) Inventor: **David Iarossi**, Padua (IT)

(73) Assignee: **SAFILO - SOCIETÀ AZIONARIA FABBRICA ITALIANA LAVORAZIONE OCCHIALI S.P.A.**, Padua (IT)

(**) Term: **15 Years**

(21) Appl. No.: **29/637,143**

(22) Filed: **Feb. 14, 2018**

(30) **Foreign Application Priority Data**

Dec. 7, 2017 (EP) 004540003-0001

(51) **LOC (13) Cl.** **16-06**

(52) **U.S. Cl.**
USPC **D16/334**

(58) **Field of Classification Search**
USPC D16/101, 300, 301, 303, 310, 311, 312, D16/313–316, 319, 320, 325–326, 328, D16/329, 330, 331, 332, 334, 335, 340, D16/341, 342; D29/109–110; D14/372; 351/41, 44, 45–48, 51–52, 62, 158, 92, 351/103–123, 140–153, 63, 59
CPC A63B 33/00; A63B 33/002; G02C 1/00; G02C 1/02; G02C 1/04; G02C 1/06; G02C 5/02; G02C 5/04; G02C 5/08; G02C 5/12; G02C 5/22; G02C 9/00; G02C 9/02; G02C 9/04; G02C 11/00; G02C 11/02; G02C 2200/00; G02C 2200/02

See application file for complete search history.

(56) **References Cited**

U.S. PATENT DOCUMENTS

1,093,355 A * 4/1914 Persohn G02C 5/12
351/75
1,595,577 A * 8/1926 Shupack G02C 5/22
351/121

(Continued)

FOREIGN PATENT DOCUMENTS

DE 102009029491 A1 * 3/2011 G02C 5/2254
JP 2000075253 A * 3/2000 G02C 9/00

(Continued)

OTHER PUBLICATIONS

SAFILO: Hinge Technology, [online], [site visited May 25, 2020]. Available from Internet, <URL: <http://www.safilo.com/en/technology/hinge.html>> (Year: 2020).*

Primary Examiner — Sanjeev Paul

(74) *Attorney, Agent, or Firm* — Volpe Koenig

(57) **CLAIM**

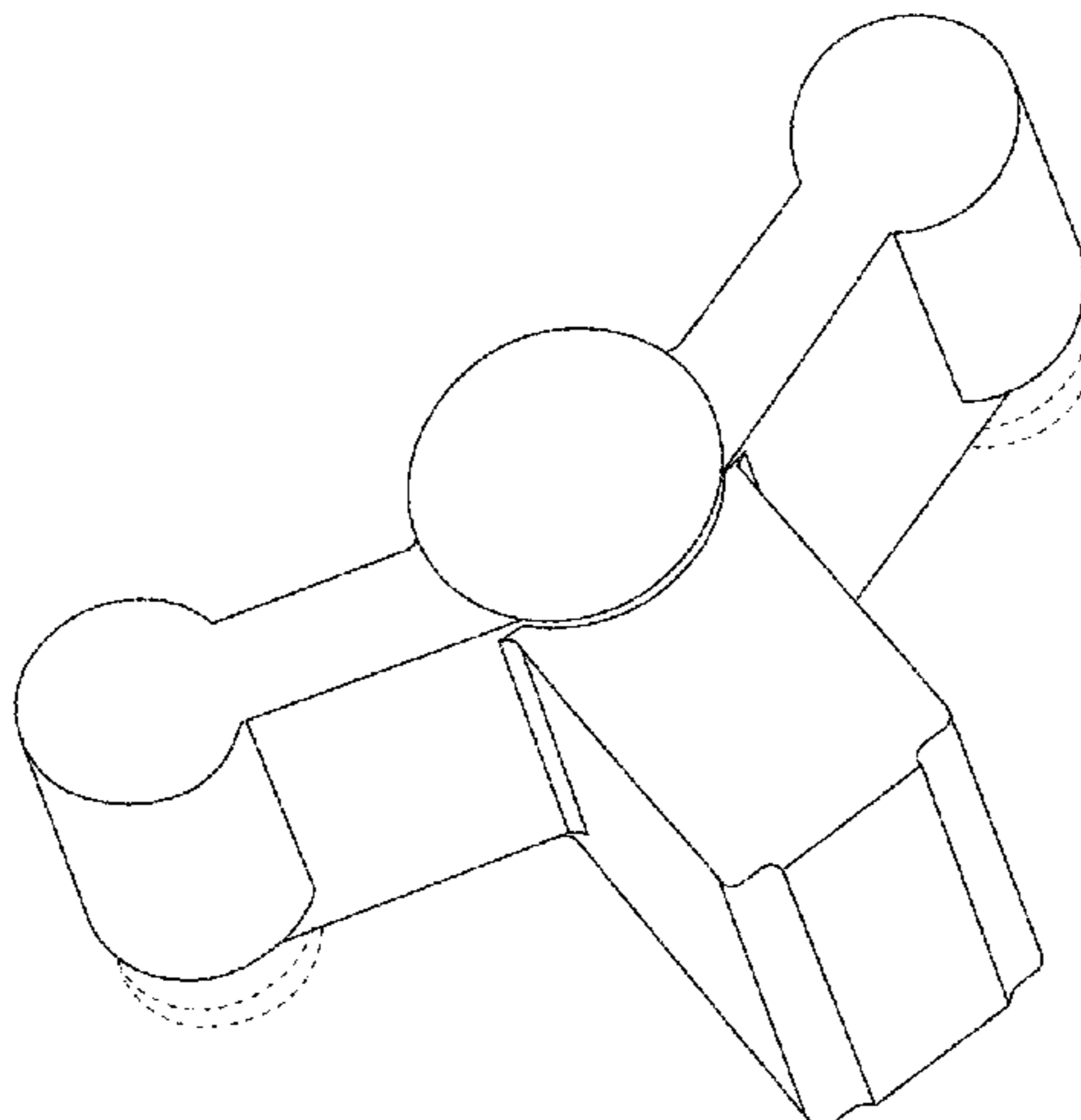
The ornamental design for a hinge for spectacles, as shown and described.

DESCRIPTION

FIG. 1 is a top front perspective view of the design; FIG. 2 is a top rear perspective view thereof; FIG. 3 is a front elevational view thereof; FIG. 4 is a rear elevational view thereof; FIG. 5 is a top plan view thereof; FIG. 6 is a bottom view thereof; FIG. 7 is a left side elevational view thereof; FIG. 8 is a right side elevational view thereof; FIG. 9 is a top view of the hinge of the design in a first use condition; and, FIG. 10 is a top view of the hinge of the design in a second use condition.

The broken lines in the drawings are intended to show environmental structure and form no part of the claimed design.

1 Claim, 10 Drawing Sheets



(56)

References Cited

U.S. PATENT DOCUMENTS

1,729,901 A * 10/1929 Simonds G02C 5/22
264/249
1,814,032 A * 7/1931 Haase G02C 5/22
351/113
1,928,172 A * 9/1933 Eglinton G02C 5/22
16/228
D100,346 S * 7/1936 Eagle D16/334
2,326,971 A * 8/1943 Rey G02C 5/22
351/153
2,745,314 A * 5/1956 Rabb G02C 5/22
16/228
4,561,735 A * 12/1985 Levoy G02C 5/22
16/228
5,011,274 A * 4/1991 Wagner G02C 5/2281
351/121
5,208,616 A * 5/1993 Chang G02C 5/006
351/158

6,601,955 B1 * 8/2003 Le Van Meautte G02C 5/12
351/130
D884,779 S * 5/2020 Huang D16/334
2004/0141148 A1 * 7/2004 Chou G02C 5/08
351/63
2006/0126011 A1 * 6/2006 Chen G02C 5/2236
351/113
2007/0121061 A1 * 5/2007 Kim G02C 5/10
351/153
2008/0074608 A1 * 3/2008 Chen G02C 5/2263
351/120
2011/0030179 A1 * 2/2011 Shiue A44B 11/20
24/594.11
2018/0143457 A1 * 5/2018 Huang G02C 5/10

FOREIGN PATENT DOCUMENTS

JP 2004109841 A * 4/2004 G02C 5/22
WO WO-2010007692 A1 * 1/2010 G02C 5/22
WO WO-2016088993 A1 * 6/2016 G02C 5/22

* cited by examiner

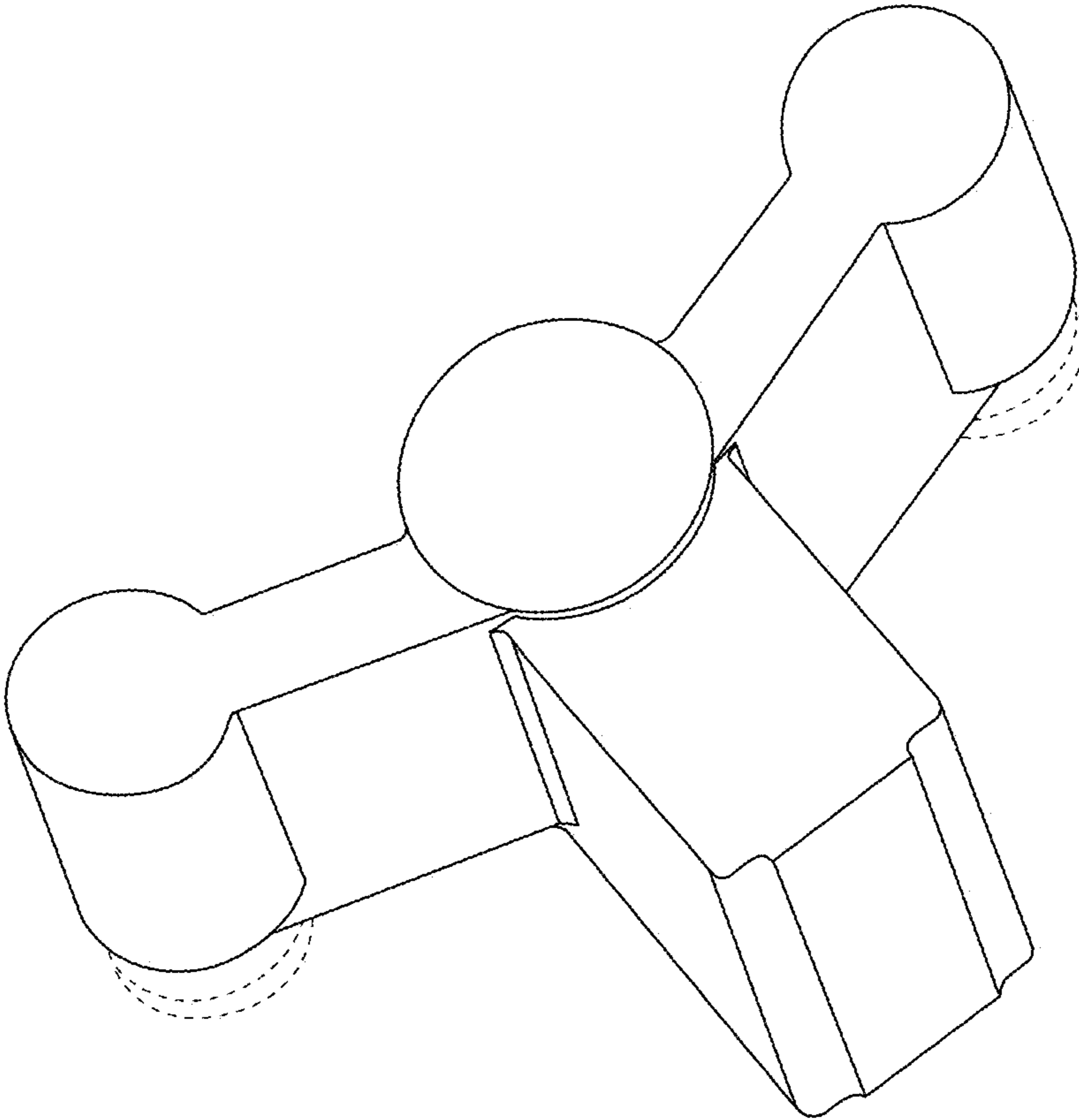
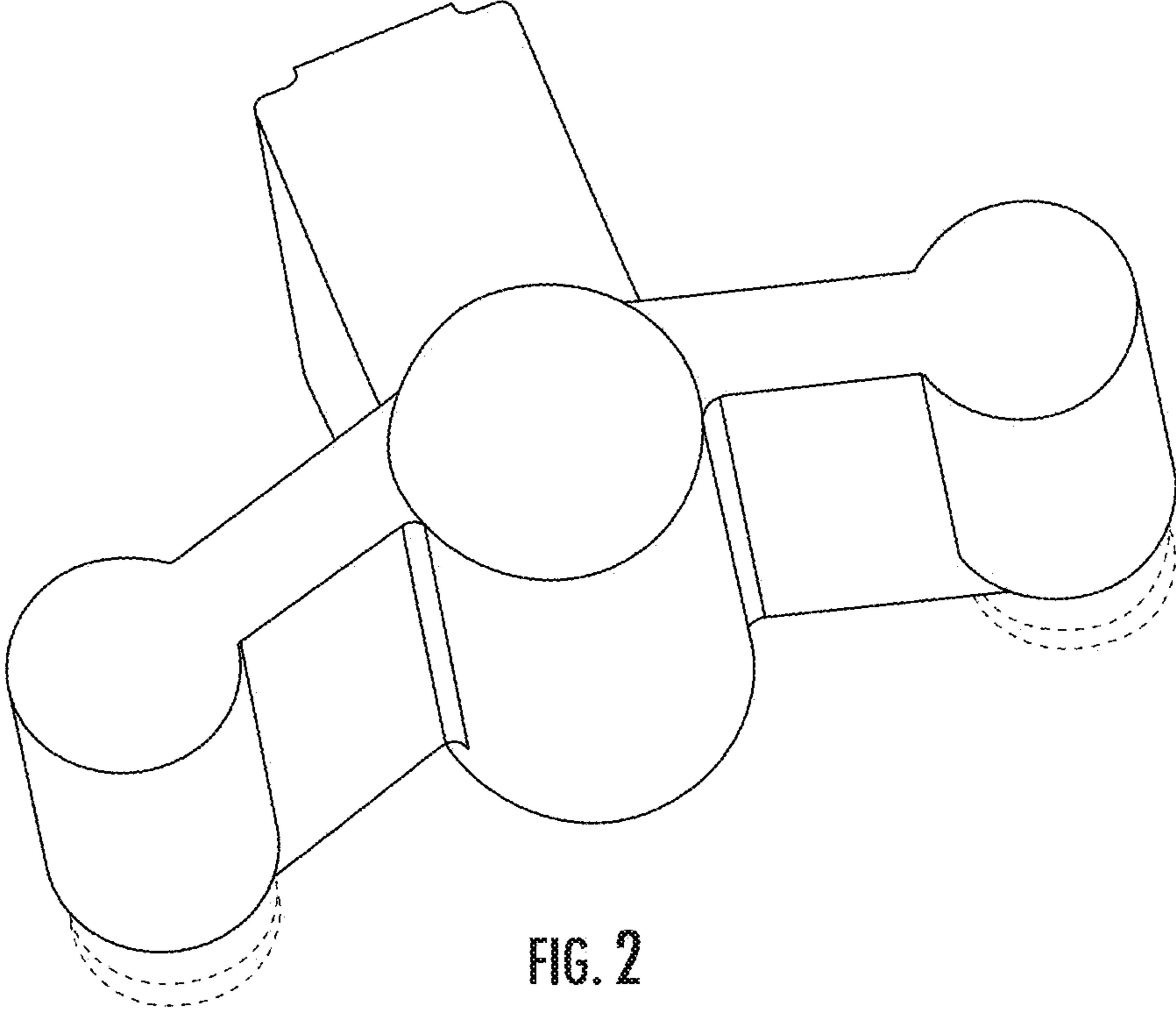


FIG. 1



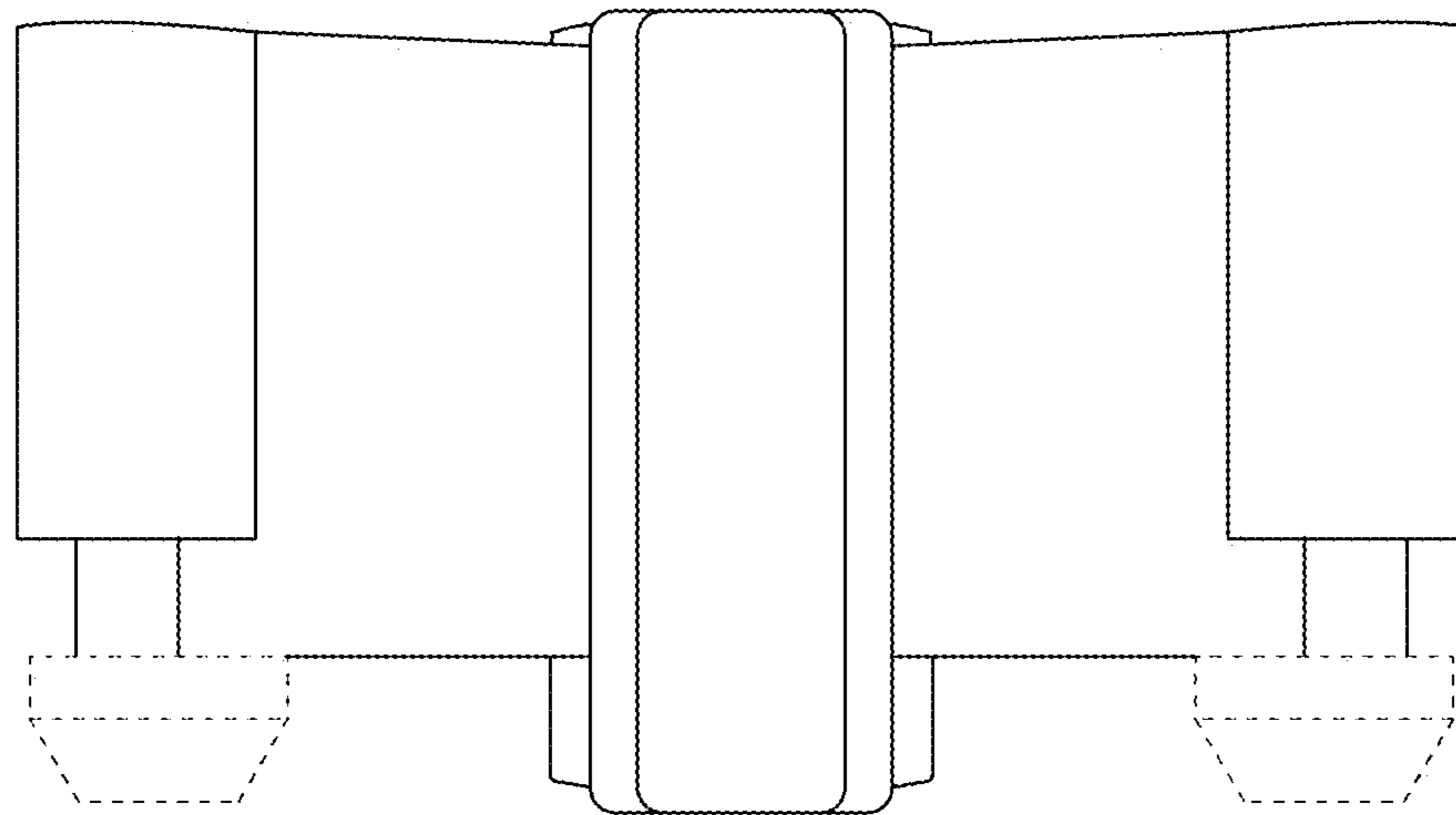


FIG. 3

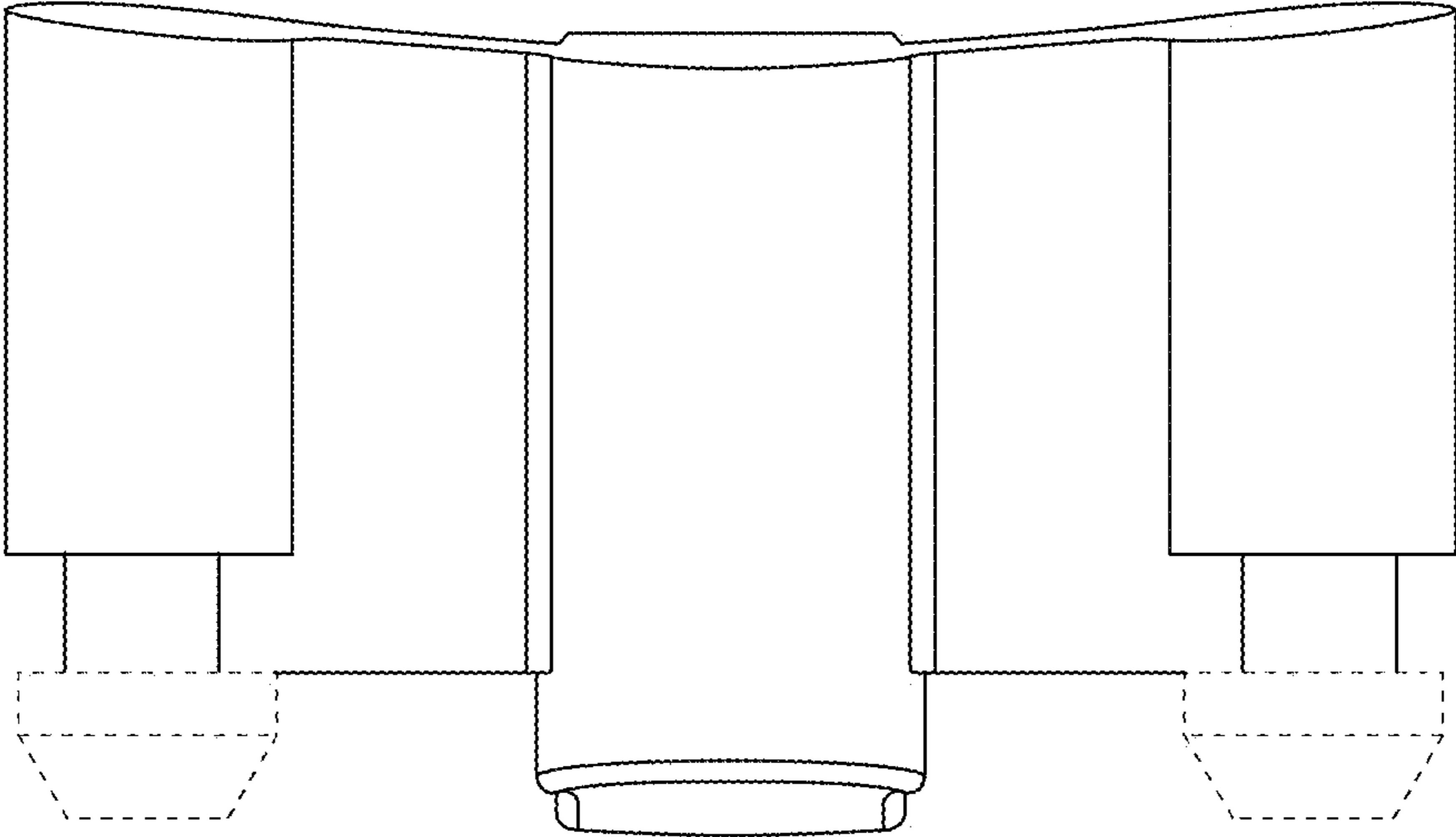


FIG. 4

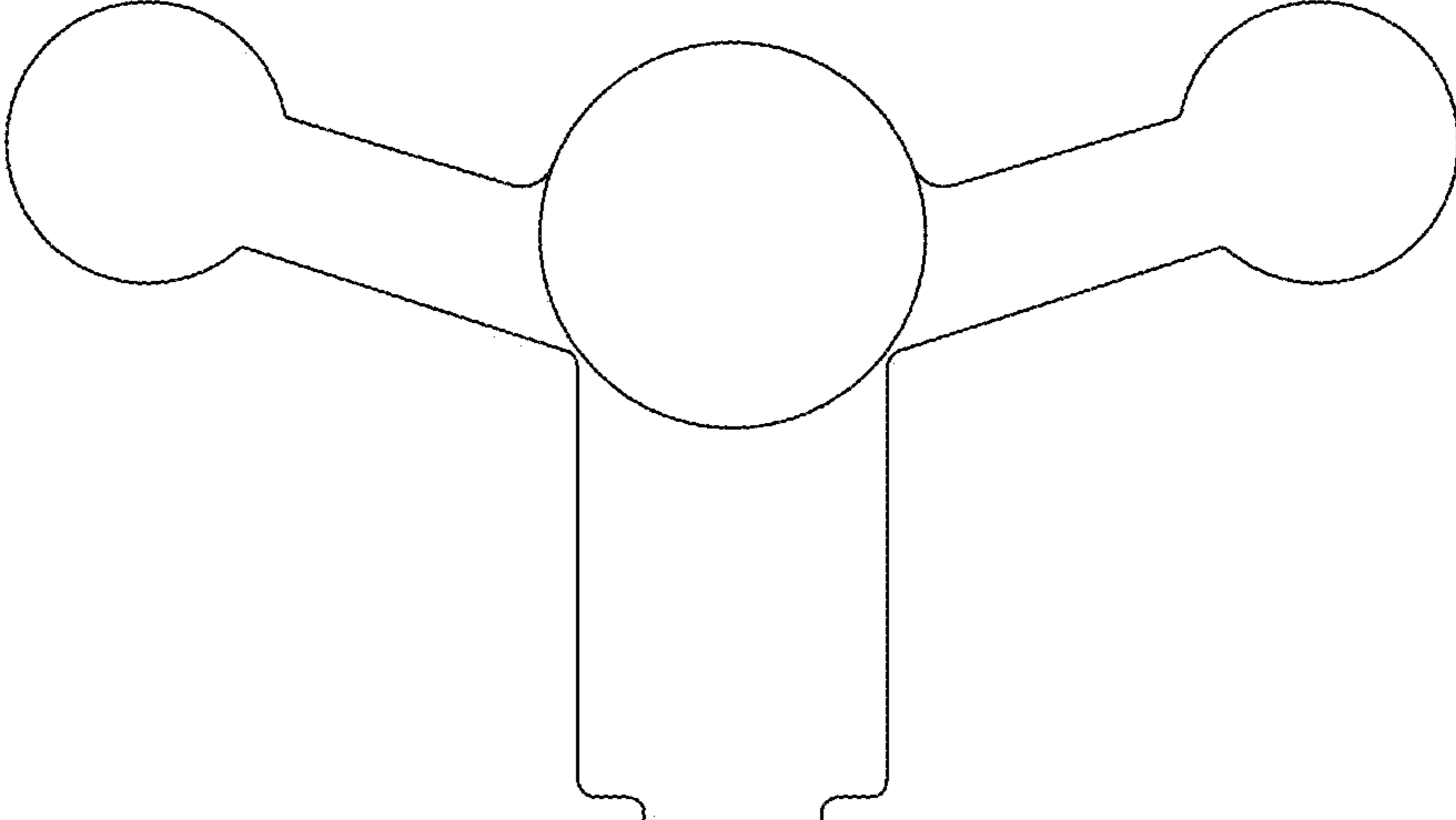


FIG. 5

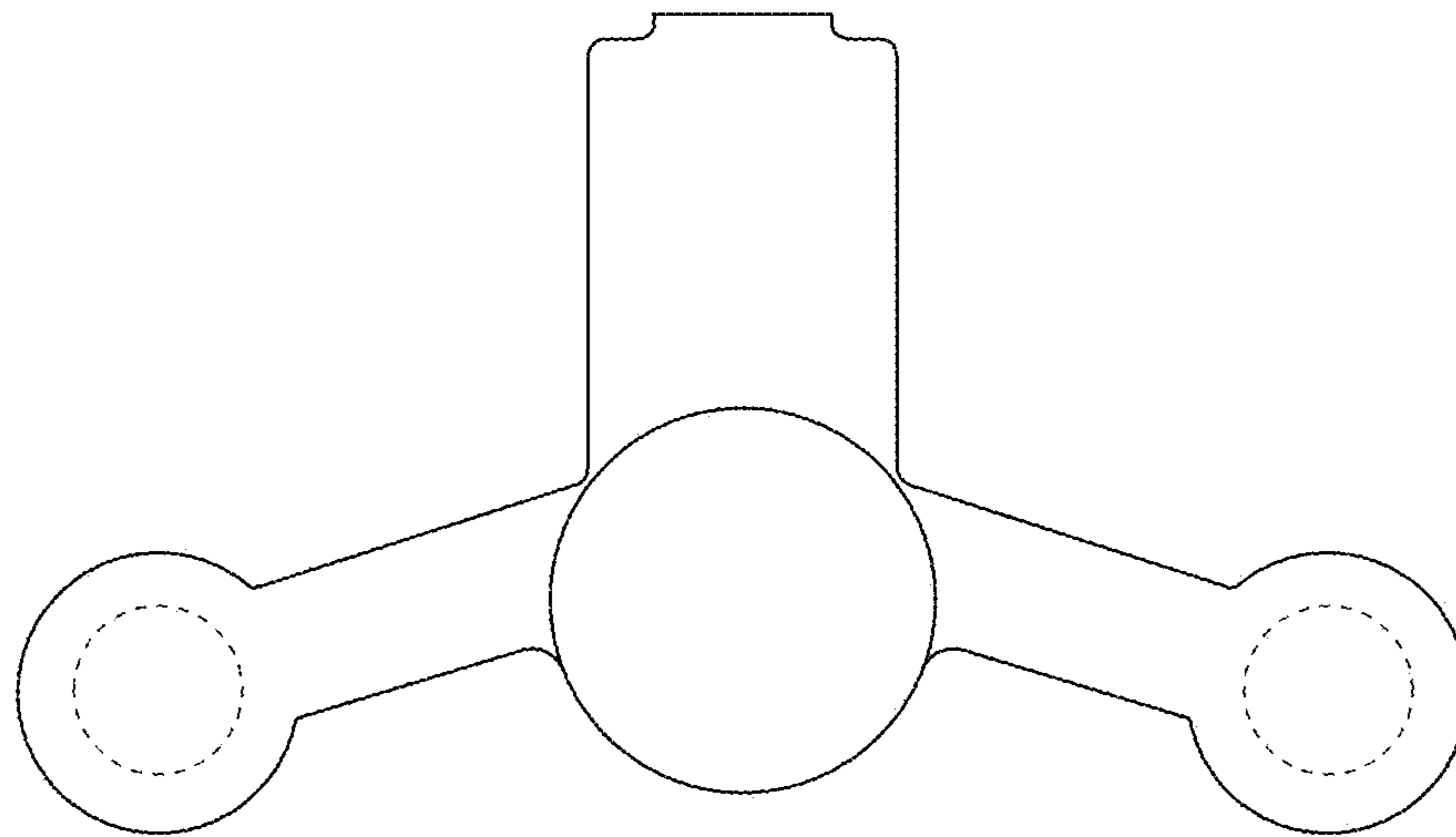


FIG. 6

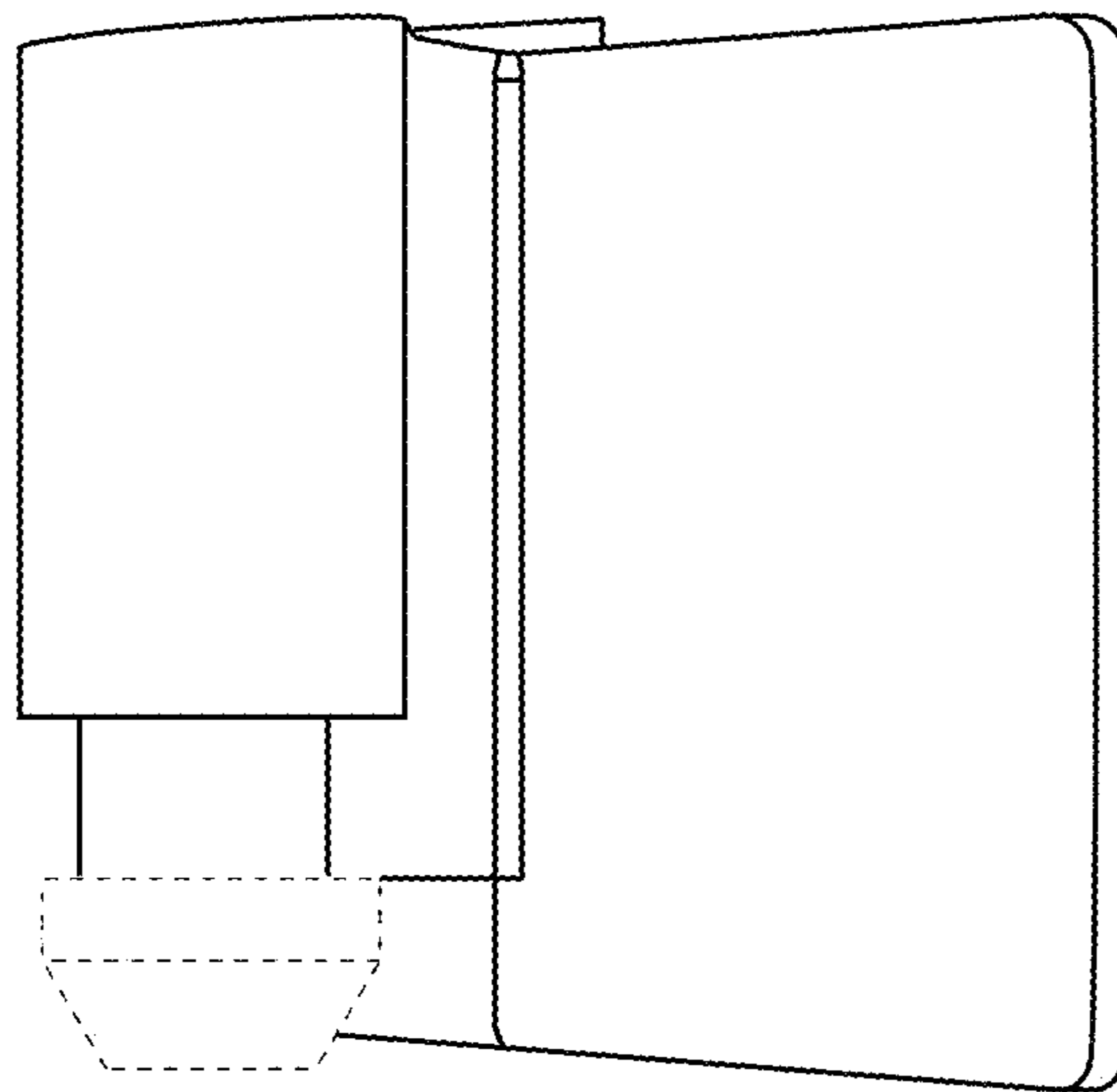


FIG. 7

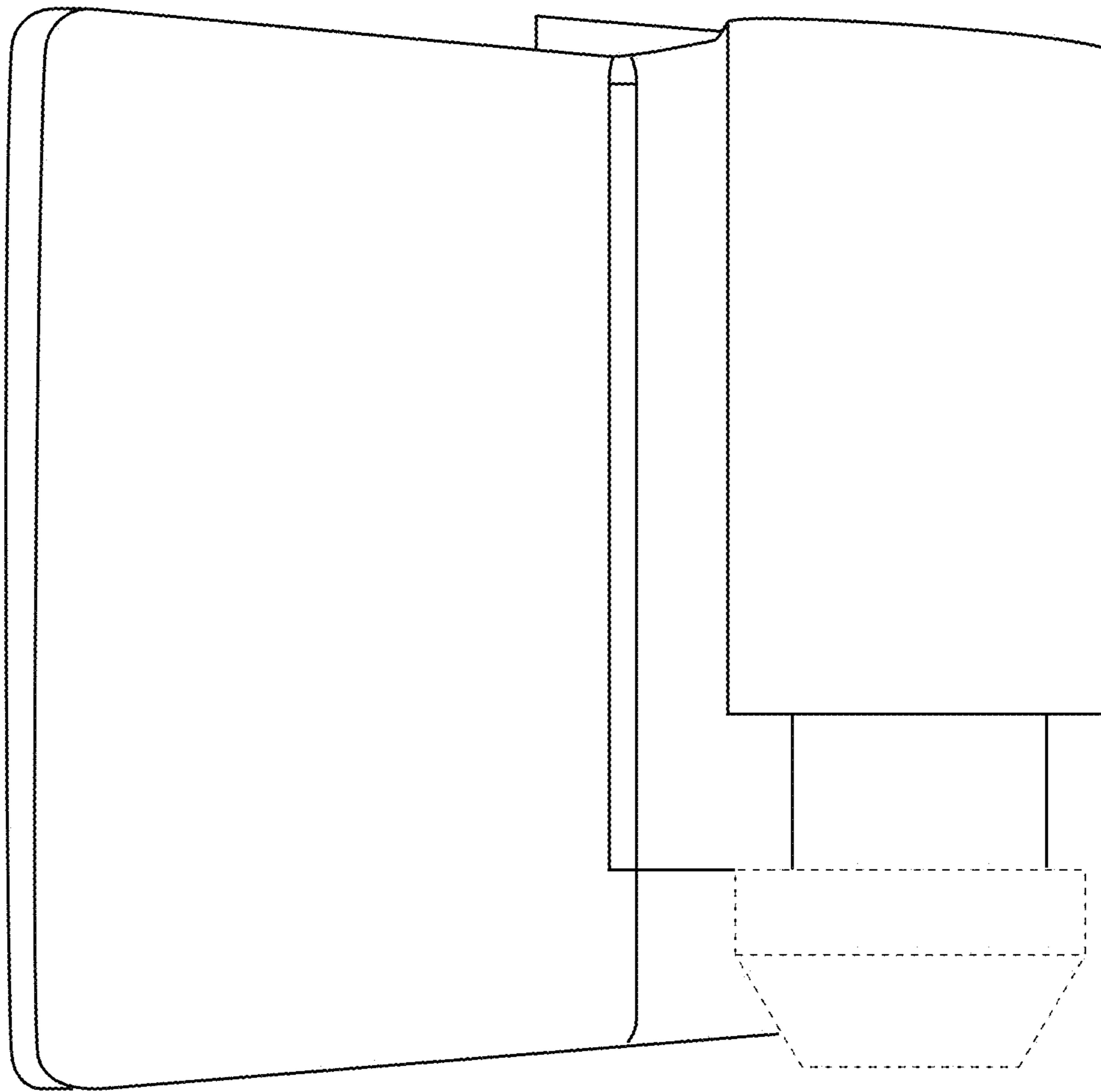


FIG. 8

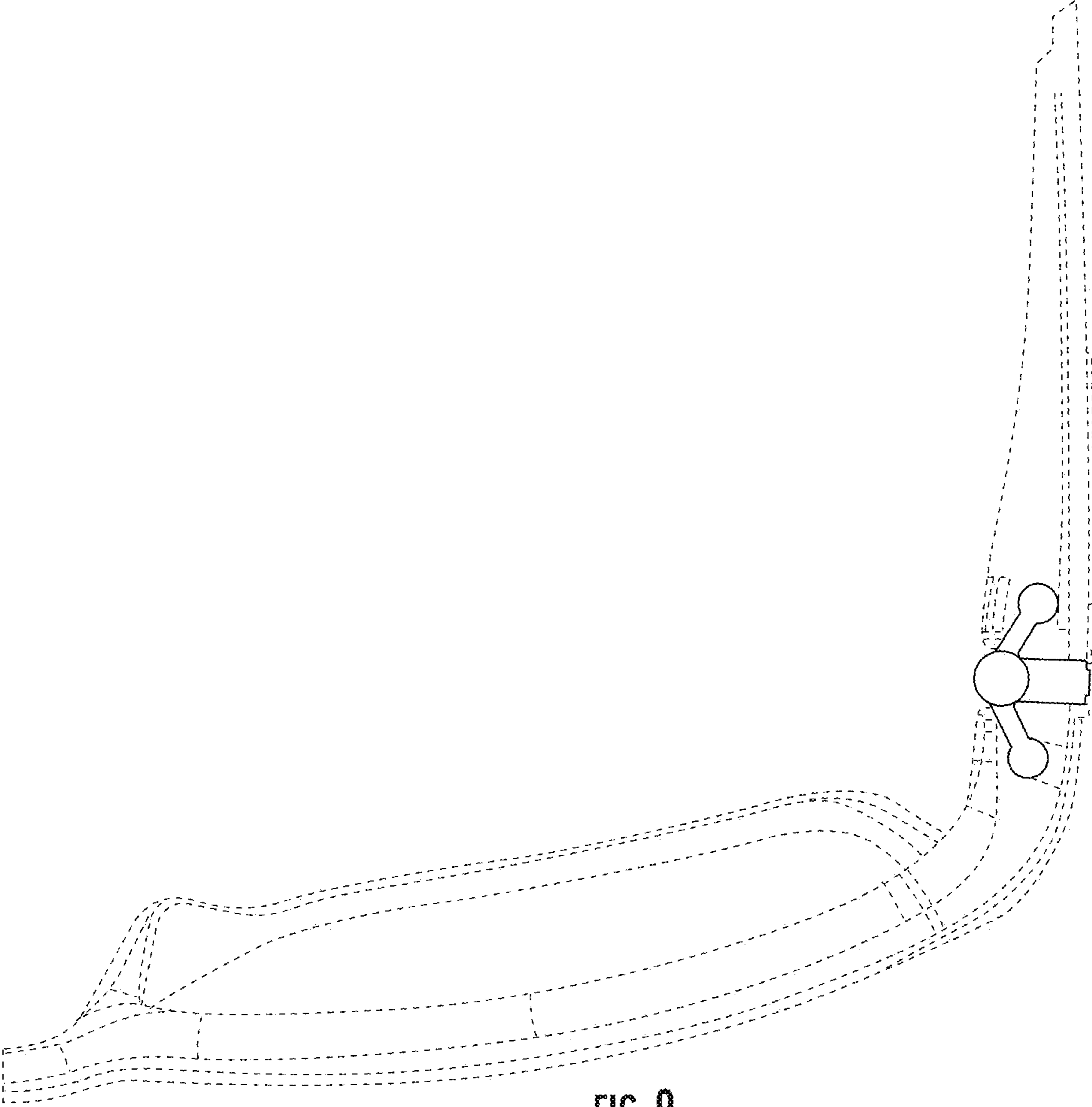


FIG. 9

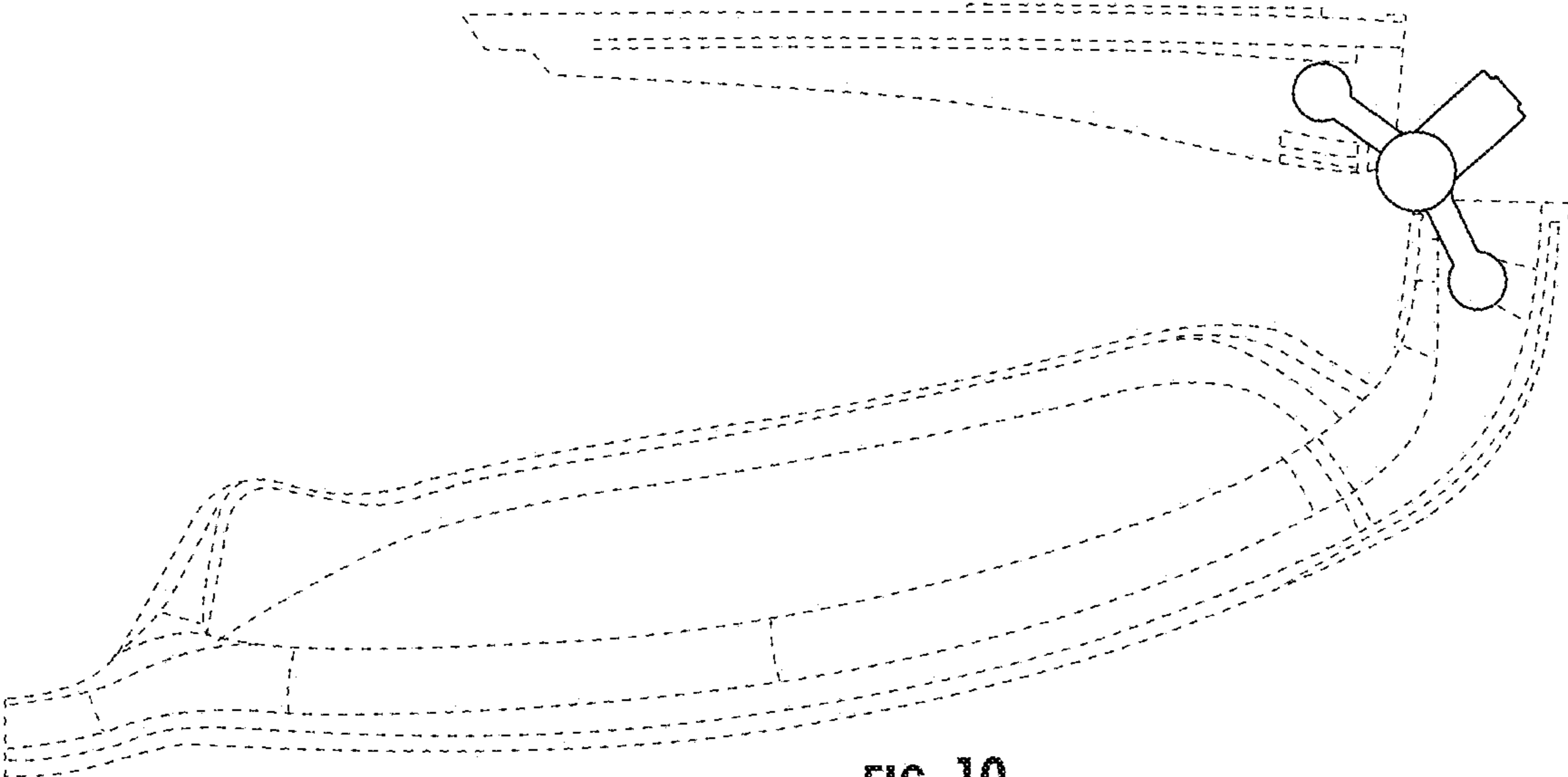


FIG. 10