



US00D923076S

(12) **United States Design Patent**  
**Grant et al.**

(10) **Patent No.:** **US D923,076 S**

(45) **Date of Patent:** **\*\* \*Jun. 22, 2021**

(54) **CAMERA**

(71) Applicant: **Portable Multimedia Limited**, West End Surrey (GB)

(72) Inventors: **Robert George Grant**, West End Surrey (GB); **Graham Keith Lambert**, West End Surrey (GB); **Ceri Hill**, West End Surrey (GB)

(73) Assignee: **Portable Multimedia Limited**

(\*) Notice: This patent is subject to a terminal disclaimer.

(\*\*) Term: **15 Years**

(21) Appl. No.: **29/719,018**

(22) Filed: **Dec. 31, 2019**

(51) **LOC (13) Cl.** ..... **16-01**

(52) **U.S. Cl.**  
USPC ..... **D16/208**; D16/218

(58) **Field of Classification Search**  
USPC ..... D16/200, 212, 218, 219; 348/373–376; 396/448, 535, 539–541  
CPC ..... G03B 15/03; G03B 17/02; G03B 17/04; G03B 17/56; G03B 19/04; H04N 5/2251; H04N 5/2252; H04N 5/2253; H04N 5/2254; H04N 2101/00  
See application file for complete search history.

(56) **References Cited**

**U.S. PATENT DOCUMENTS**

|              |         |      |       |         |
|--------------|---------|------|-------|---------|
| D747,386 S * | 1/2016  | Li   | ..... | D16/208 |
| D772,966 S * | 11/2016 | Song | ..... | D16/200 |
| D848,508 S * | 5/2019  | Hsu  | ..... | D16/218 |
| D849,084 S * | 5/2019  | Hu   | ..... | D16/202 |
| D849,817 S * | 5/2019  | Wang | ..... | D16/218 |
| D852,255 S * | 6/2019  | Guo  | ..... | D16/202 |
| D854,597 S * | 7/2019  | Gao  | ..... | D16/202 |

|                  |         |           |       |                       |
|------------------|---------|-----------|-------|-----------------------|
| D857,076 S *     | 8/2019  | Gan       | ..... | D16/202               |
| D867,420 S *     | 11/2019 | Zhang     | ..... | D16/202               |
| D868,725 S *     | 12/2019 | Zhou      | ..... | D14/167               |
| D870,183 S *     | 12/2019 | Tsukamoto | ..... | D16/218               |
| D875,803 S *     | 2/2020  | Yuan      | ..... | D16/202               |
| 2013/0004152 A1* | 1/2013  | Imafuji   | ..... | G03B 15/02<br>396/155 |

**OTHER PUBLICATIONS**

Application for Registered Community Design for Application Nos. 006722419-0001 through 006722419-0004 dated Aug. 15, 2019, (Receipt of Filing, with annexed designs) 14 pages.

(Continued)

*Primary Examiner* — Ramzi S Almatrahi  
(74) *Attorney, Agent, or Firm* — Lerner, David, Littenberg, Krumholz & Mentlik, LLP

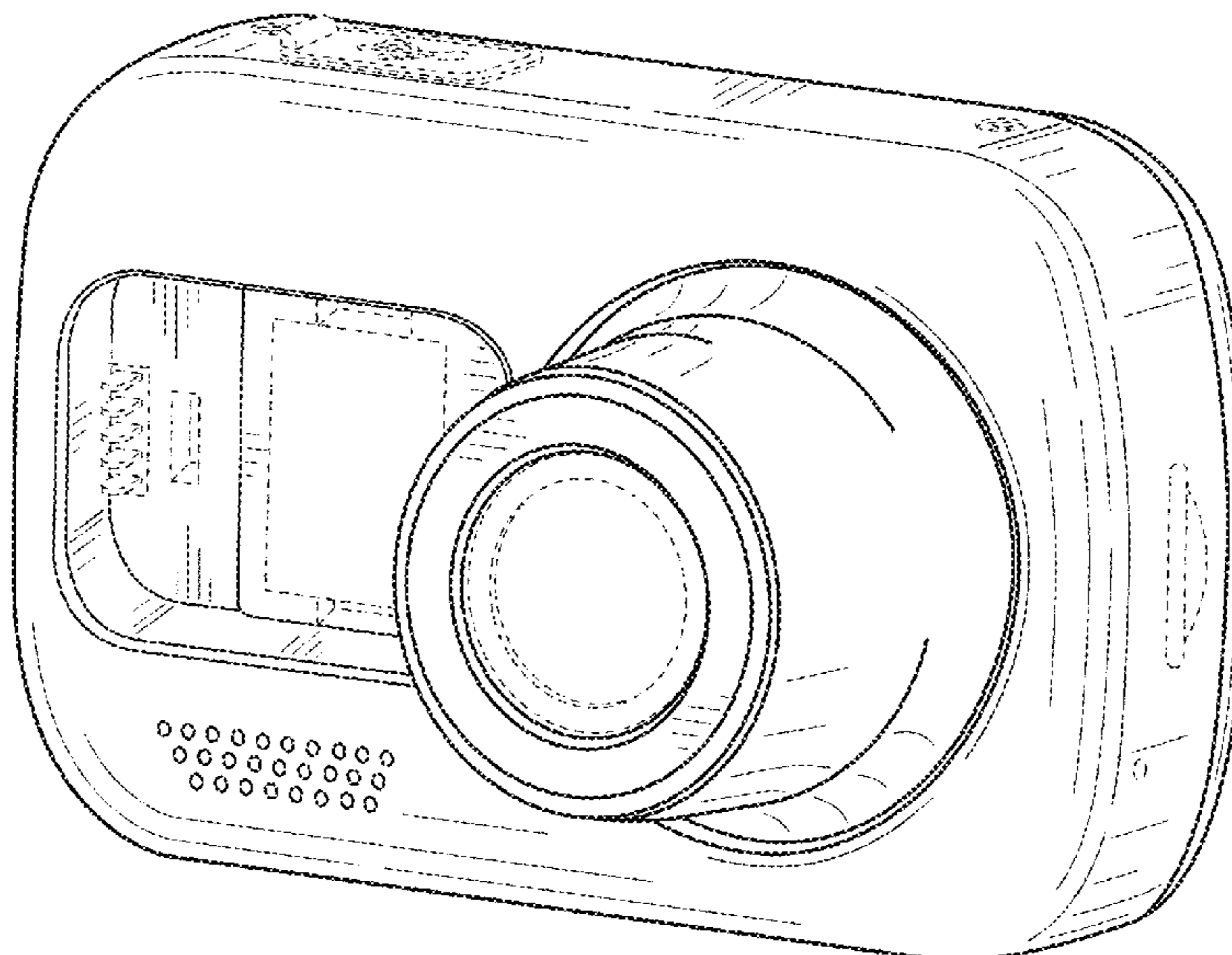
(57) **CLAIM**

The ornamental design for a camera, as shown and described.

**DESCRIPTION**

This application is related to U.S. Design application Ser. No. 29/719,014, U.S. Design application Ser. No. 29/719,015, and U.S. Design application Ser. No. 29/719,017, all of which are concurrently filed herewith, and the disclosures all of which are incorporated herein by reference.  
FIG. 1 is a front and right side perspective view of a camera showing our new design;  
FIG. 2 is a front elevation view thereof;  
FIG. 3 is a rear elevation view thereof;  
FIG. 4 is a right side elevation view thereof;  
FIG. 5 is a left side elevation view thereof;  
FIG. 6 is a top plan view thereof; and,  
FIG. 7 is a bottom plan view thereof.  
The broken lines depict portions of the camera in which the design is embodied that form no part of the claimed design.

**1 Claim, 4 Drawing Sheets**



(56)

**References Cited**

OTHER PUBLICATIONS

Application No. 6050015, Filing Date Dec. 14, 2018 (Uncertified Copy of Intellectual Property Office of the United Kingdom Design Details).

Application No. 6050016, Filing Date Dec. 14, 2018 (Uncertified Copy of Intellectual Property Office of the United Kingdom Design Details).

Application No. 6050017, Filing Date Dec. 14, 2018 (Uncertified Copy of Intellectual Property Office of the United Kingdom Design Details).

Application No. 6050018, Filing Date Dec. 14, 2018 (Uncertified Copy of Intellectual Property Office of the United Kingdom Design Details).

Chinese Filing Receipt and Filed Application for Application No. CN 201930006465.1 dated Jan. 7, 2019, 15 pages.

Grant et al., "Camera," Design U.S. Appl. No. 29/719,014, filed Dec. 31, 2019. (unpublished).

Grant et al., "Camera," Design U.S. Appl. No. 29/719,015, filed Dec. 31, 2019. (unpublished).

Grant et al., "Camera," Design U.S. Appl. No. 29/719,017, filed Dec. 31, 2019. (unpublished).

\* cited by examiner

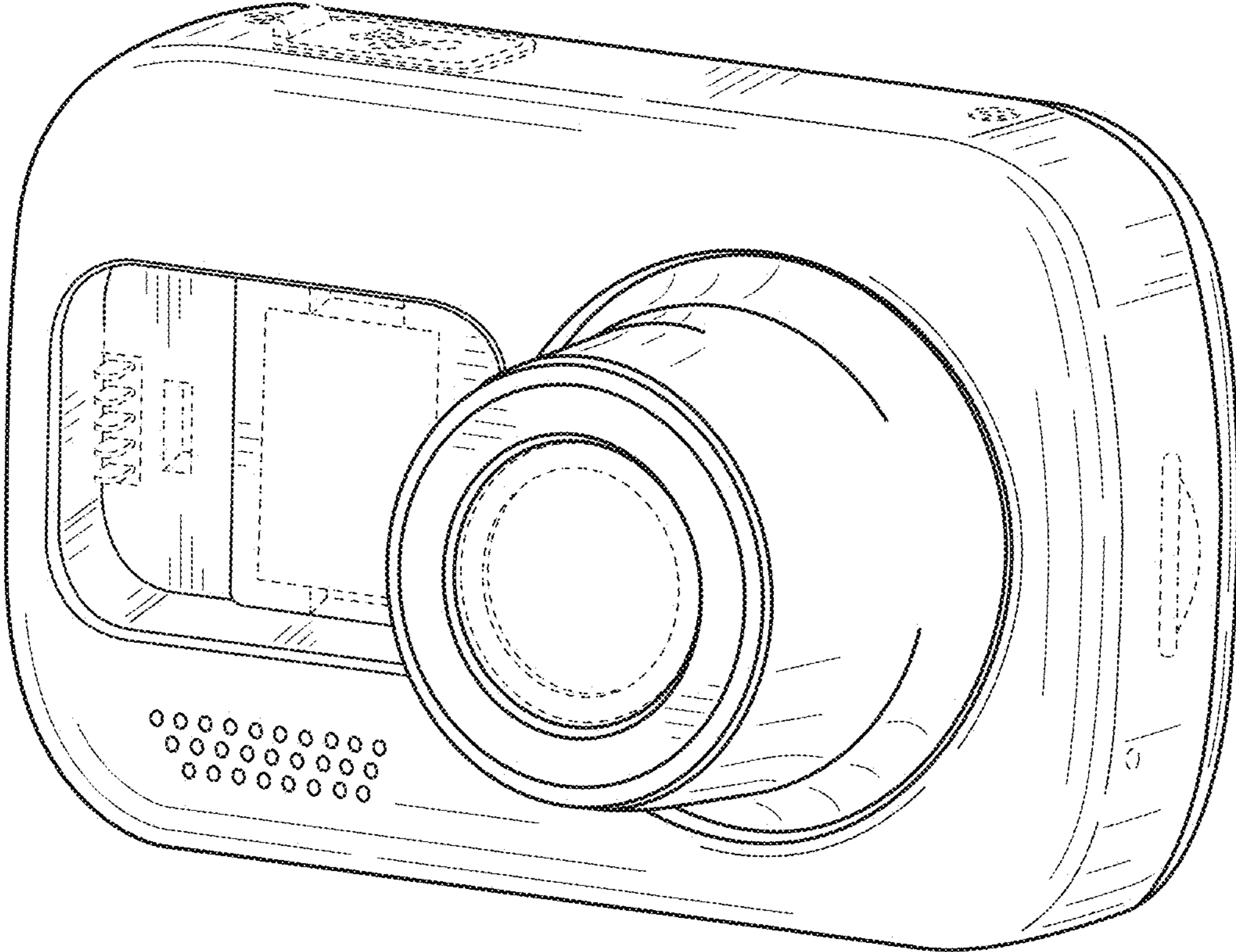


FIG. 1

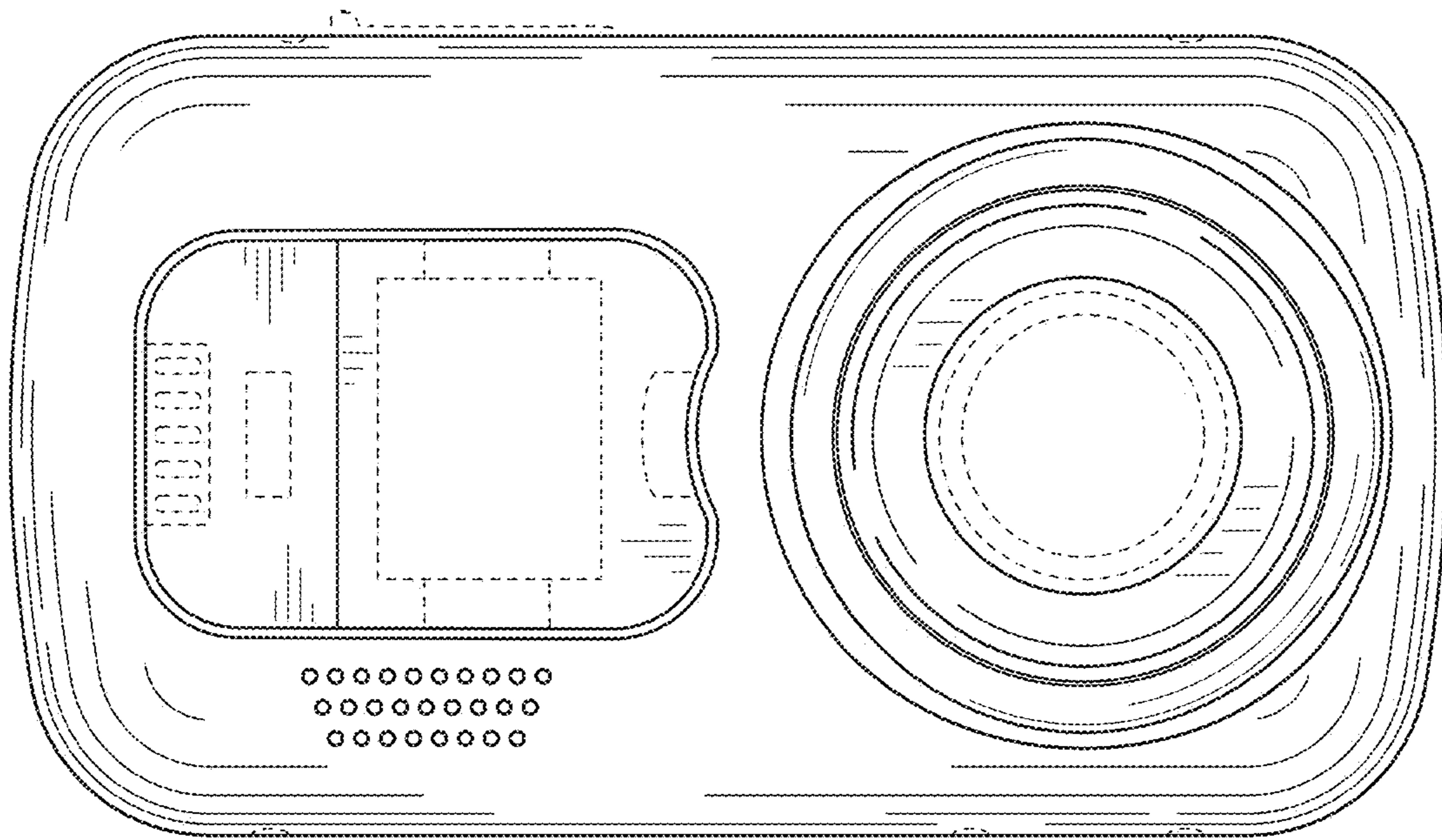


FIG. 2

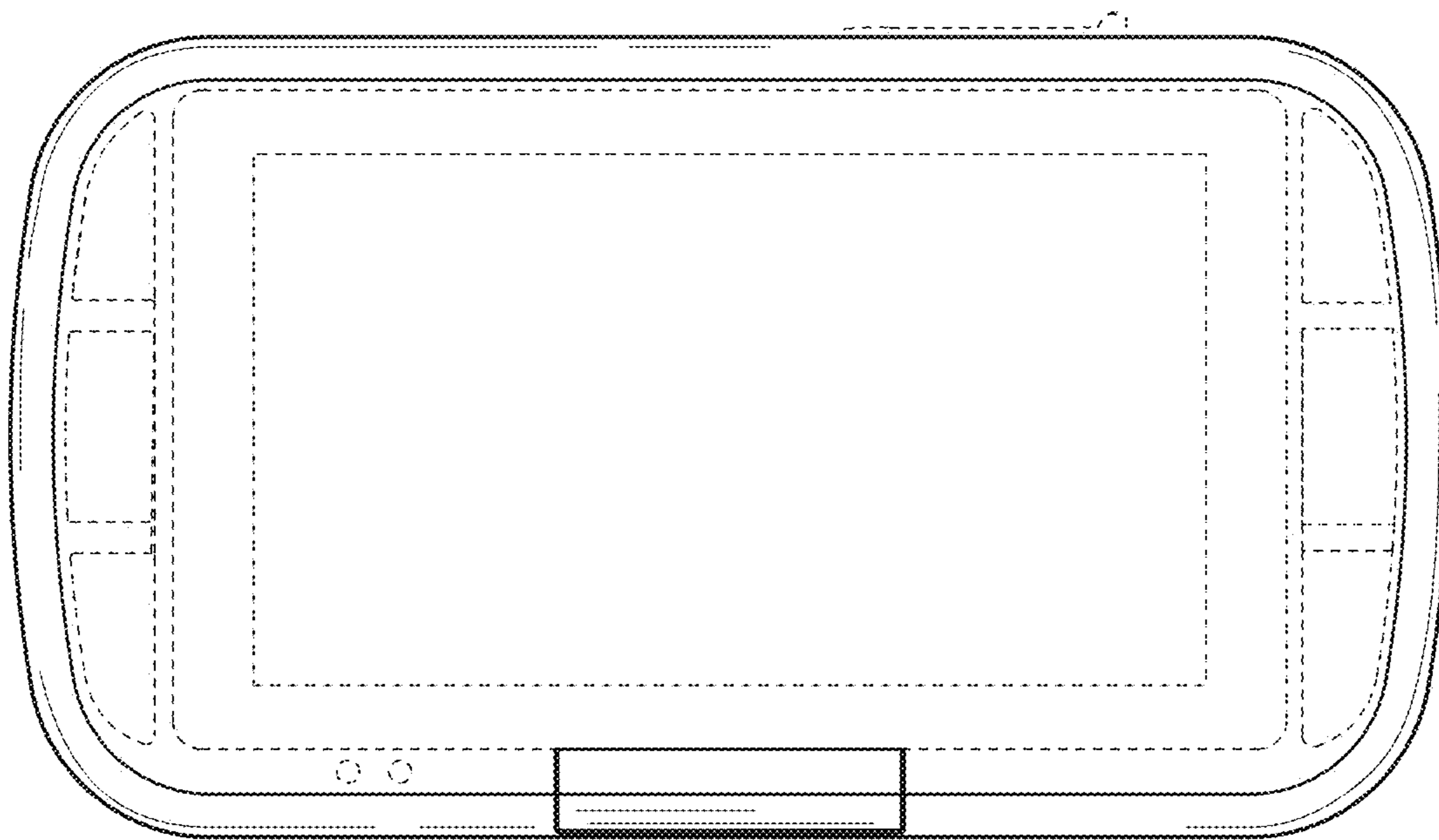


FIG. 3

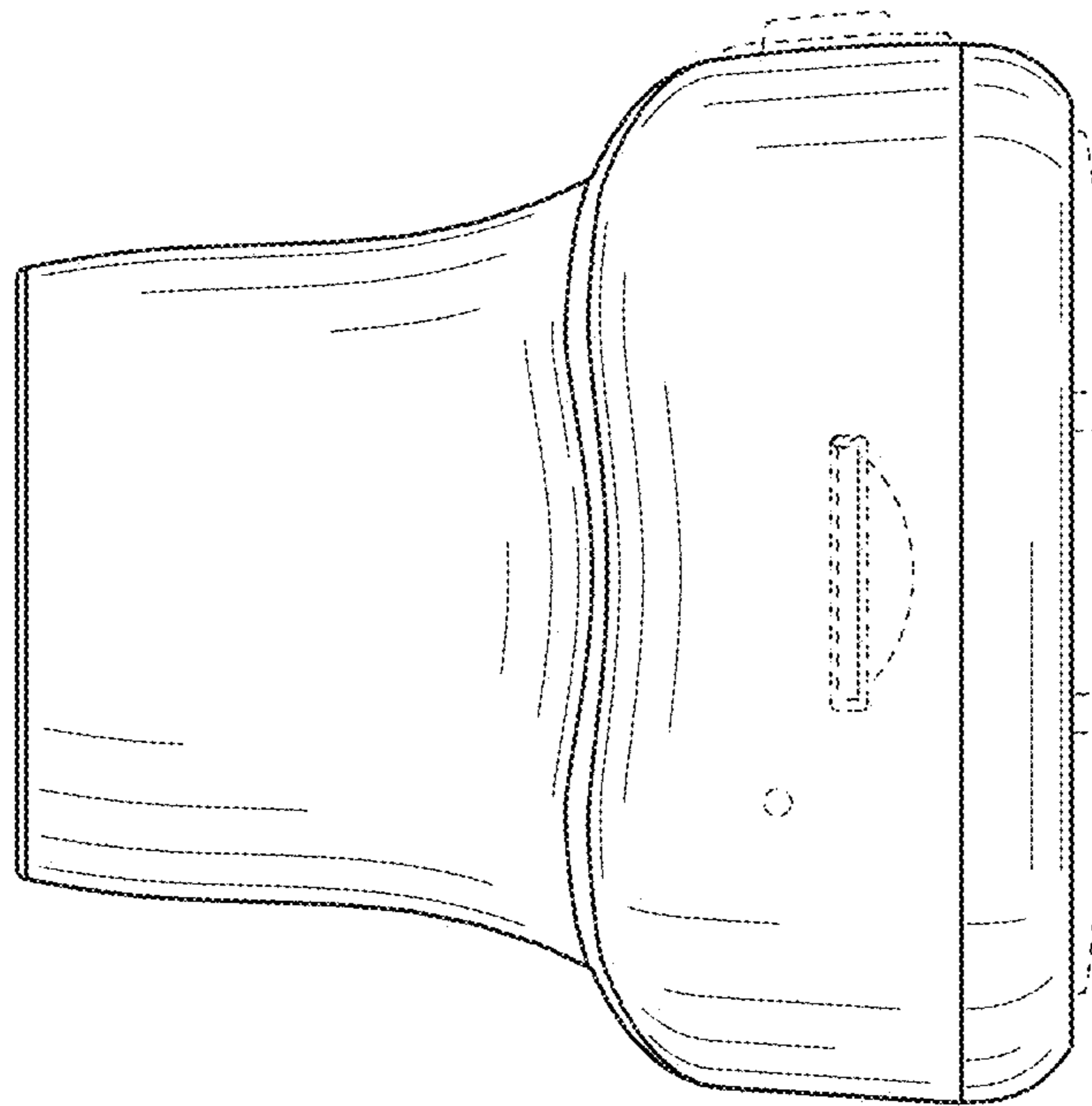


FIG. 4

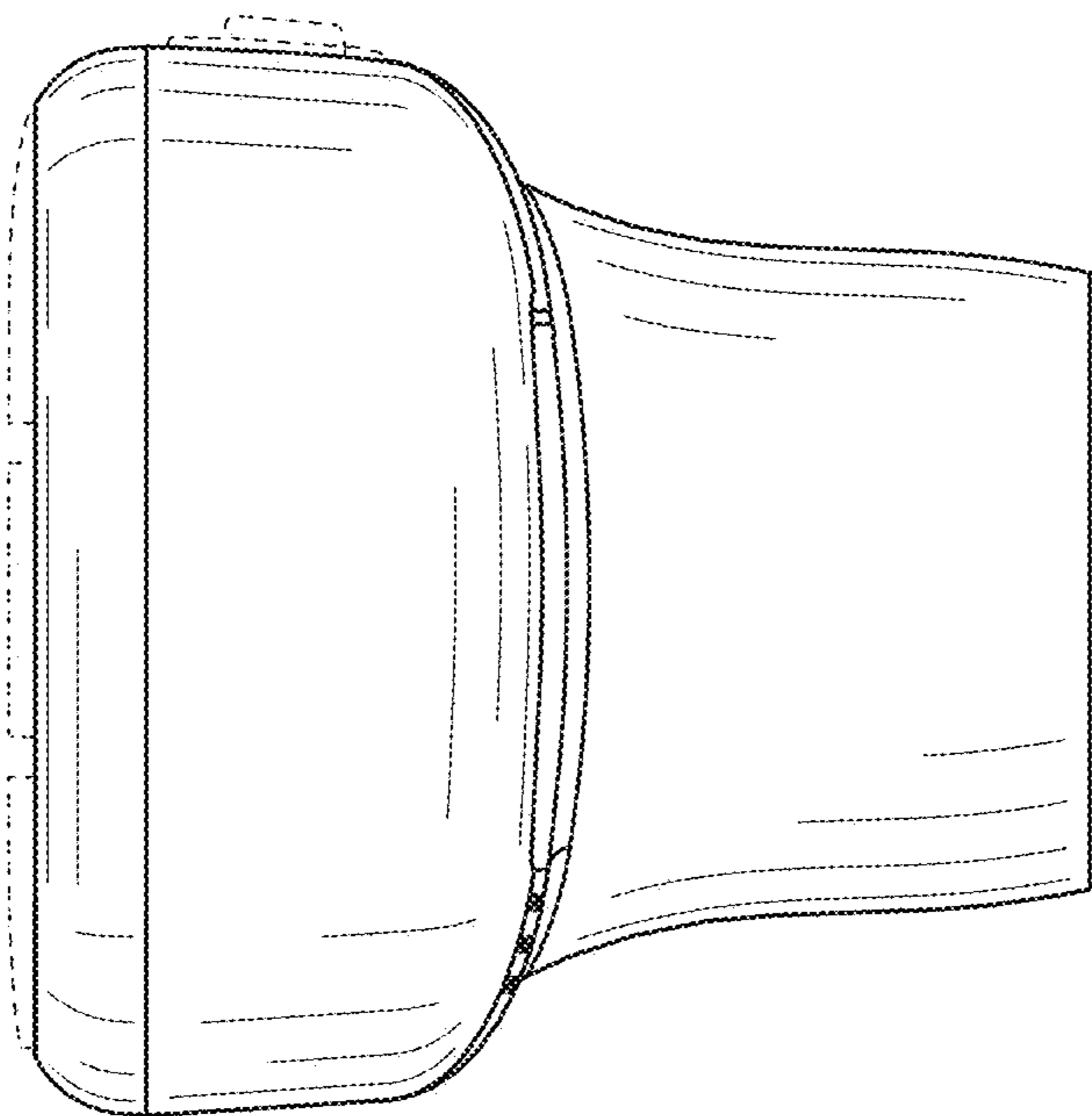


FIG. 5

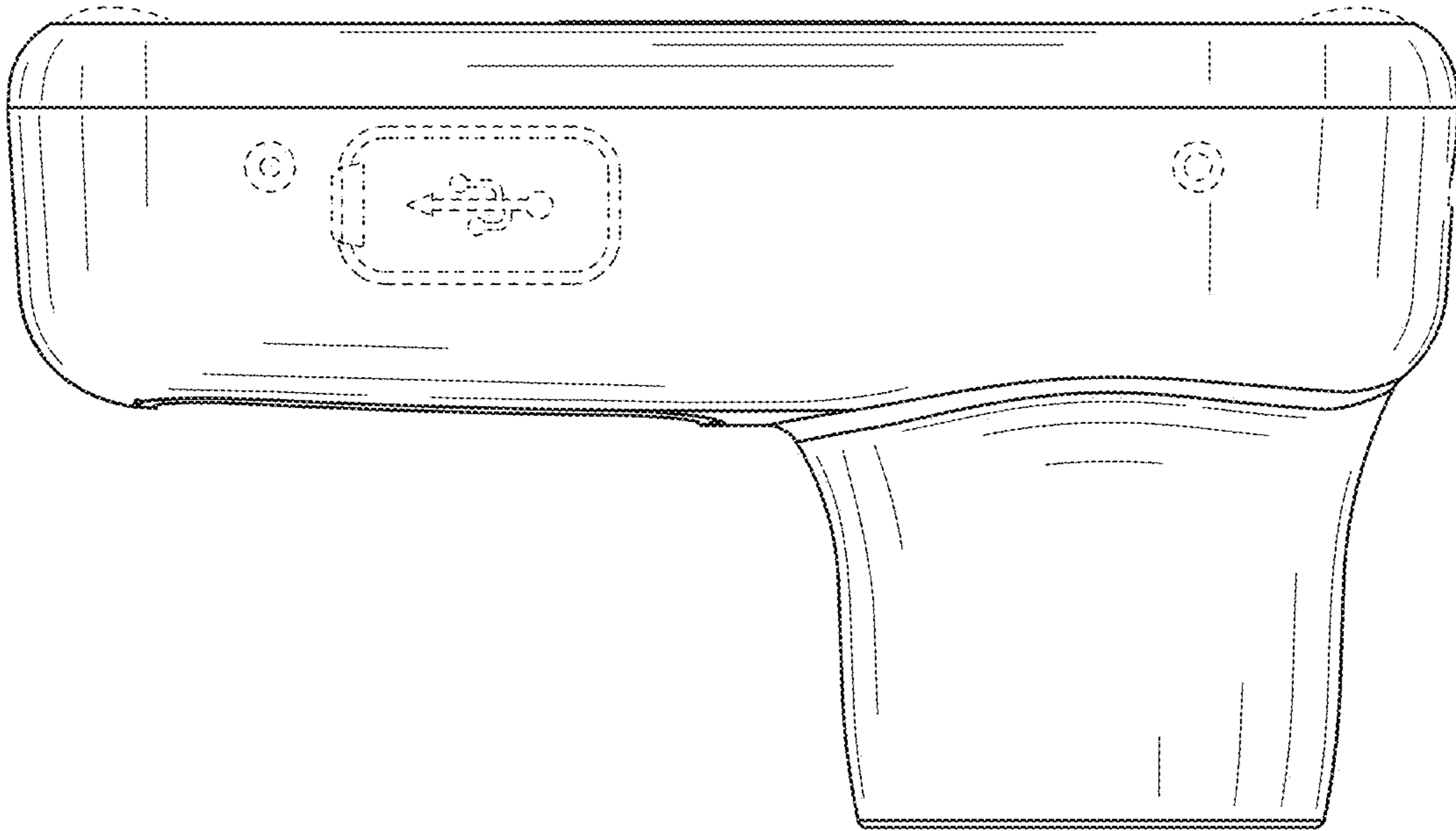


FIG. 6

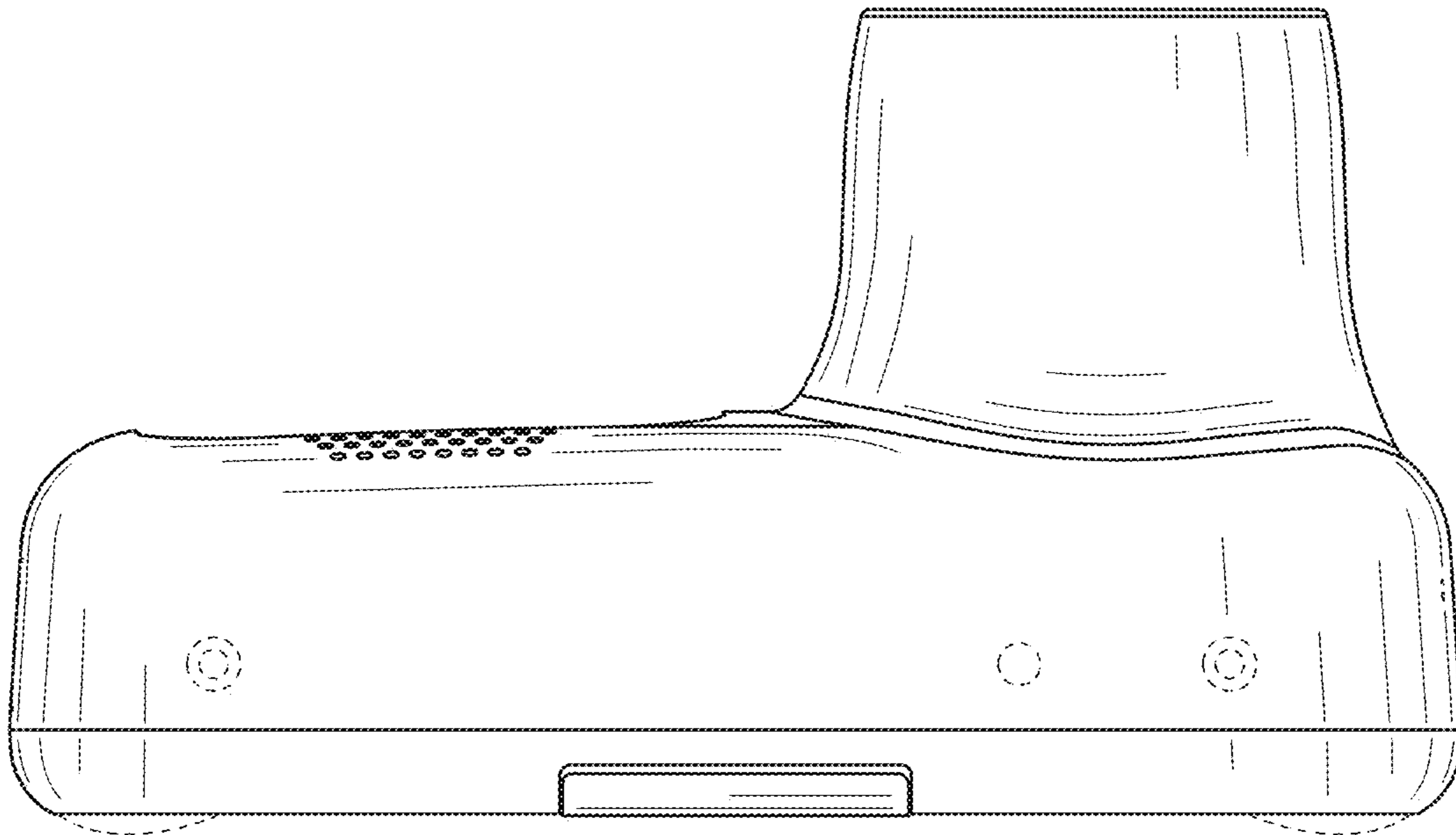


FIG. 7