



US00D923071S

(12) **United States Design Patent** (10) **Patent No.:** **US D923,071 S**  
**Thomas et al.** (45) **Date of Patent:** **\*\* Jun. 22, 2021**

(54) **MICROSCOPE CAMERA**

(71) Applicant: **Carl Zeiss Microscopy GmbH**, Jena (DE)

(72) Inventors: **Christian Thomas**, Jena (DE); **Xingbiao Gu**, Shanghai (CN); **Martin Stohr**, Jena (DE)

(73) Assignee: **CARL ZEISS MICROSCOPY GMBH**, Jena (DE)

(\*\*) Term: **15 Years**

(21) Appl. No.: **29/678,858**

(22) Filed: **Jan. 31, 2019**

(30) **Foreign Application Priority Data**

Aug. 1, 2018 (CN) ..... 201830419521.X

(51) **LOC (13) Cl.** ..... **16-06**

(52) **U.S. Cl.**  
USPC ..... **D16/131**

(58) **Field of Classification Search**  
USPC ..... D16/131, 136, 130, 132-135, 200, 202, D16/203, 218, 219; D22/100, 108, 109, D22/110, 199  
CPC .... G02B 21/24; G02B 21/34; G02B 27/0006; G02B 7/00; G02B 7/001; G02B 17/00; G02B 1/00; G02B 1/002; G02B 1/0008; G02B 1/0012  
See application file for complete search history.

(56) **References Cited**

**U.S. PATENT DOCUMENTS**

D690,754 S	*	10/2013	Tsuda	.....	D16/131
D711,950 S	*	8/2014	Matoba	.....	D16/131
D745,589 S	*	12/2015	Lee	.....	D16/218
D794,816 S	*	8/2017	Koyama	.....	D24/224
D827,008 S	*	8/2018	Okada	.....	D16/131

D841,069 S	*	2/2019	Ihara	.....	D16/131
D876,506 S	*	2/2020	Apotheloz	.....	D16/131
D878,444 S	*	3/2020	Apotheloz	.....	D16/131
D896,298 S	*	9/2020	Whaley	.....	D16/219

\* cited by examiner

*Primary Examiner* — Mark A Goodwin

*Assistant Examiner* — Benjamin M Weeks

(74) *Attorney, Agent, or Firm* — Buchanan Ingersoll & Rooney PC

(57) **CLAIM**

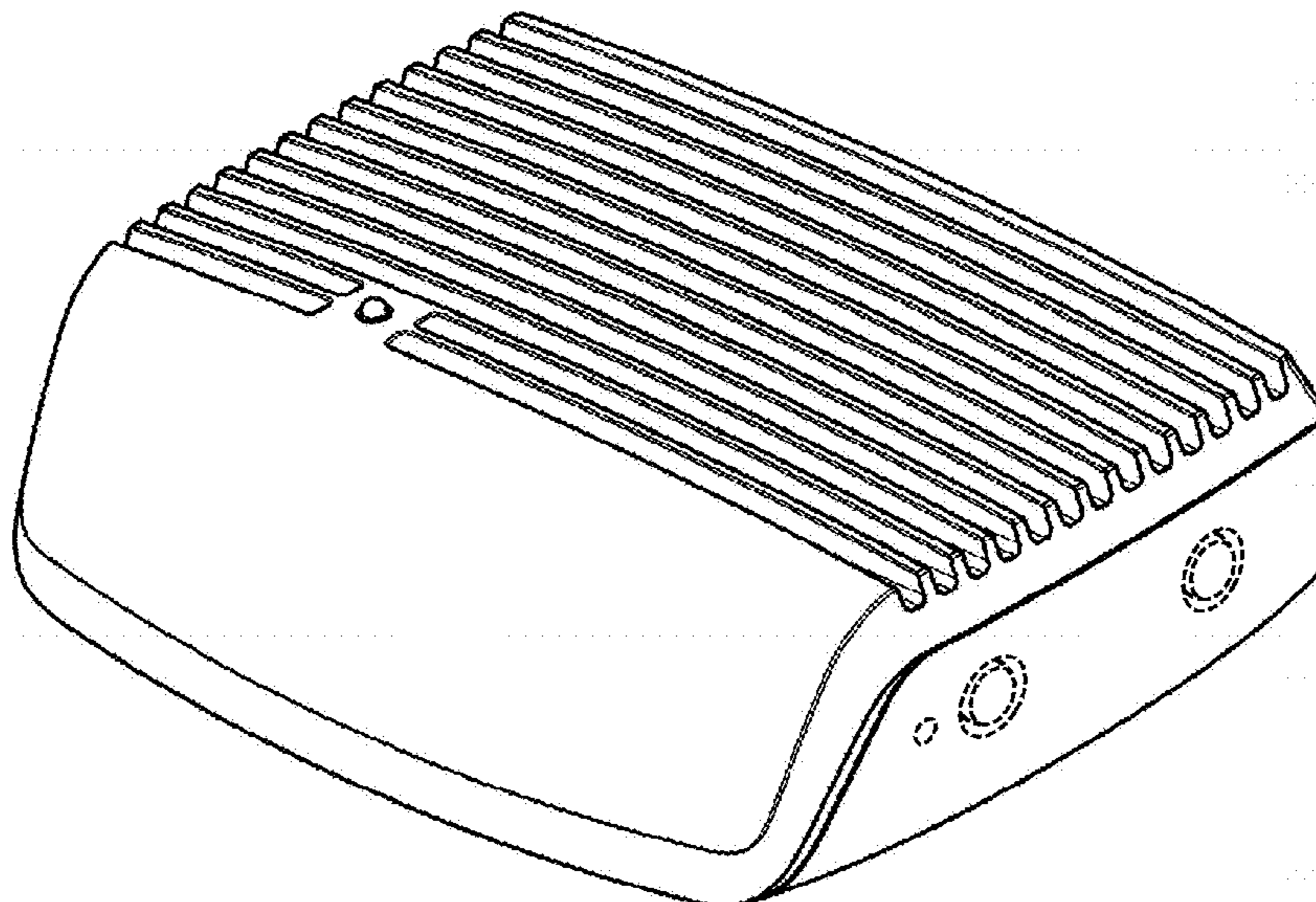
The ornamental design for a microscope camera, as shown and described.

**DESCRIPTION**

FIG. 1 is a top, front perspective view of a microscope camera showing our new design;  
 FIG. 2 is a bottom, rear perspective view thereof;  
 FIG. 3 is a front elevational view thereof;  
 FIG. 4 is a rear elevational view thereof;  
 FIG. 5 is a left side elevational view thereof;  
 FIG. 6 is a right side elevational view thereof;  
 FIG. 7 is a top plan view thereof; and,  
 FIG. 8 is a bottom plan view thereof.

The broken line showing of portions of the microscope camera forms no part of the claimed design.

**1 Claim, 6 Drawing Sheets**



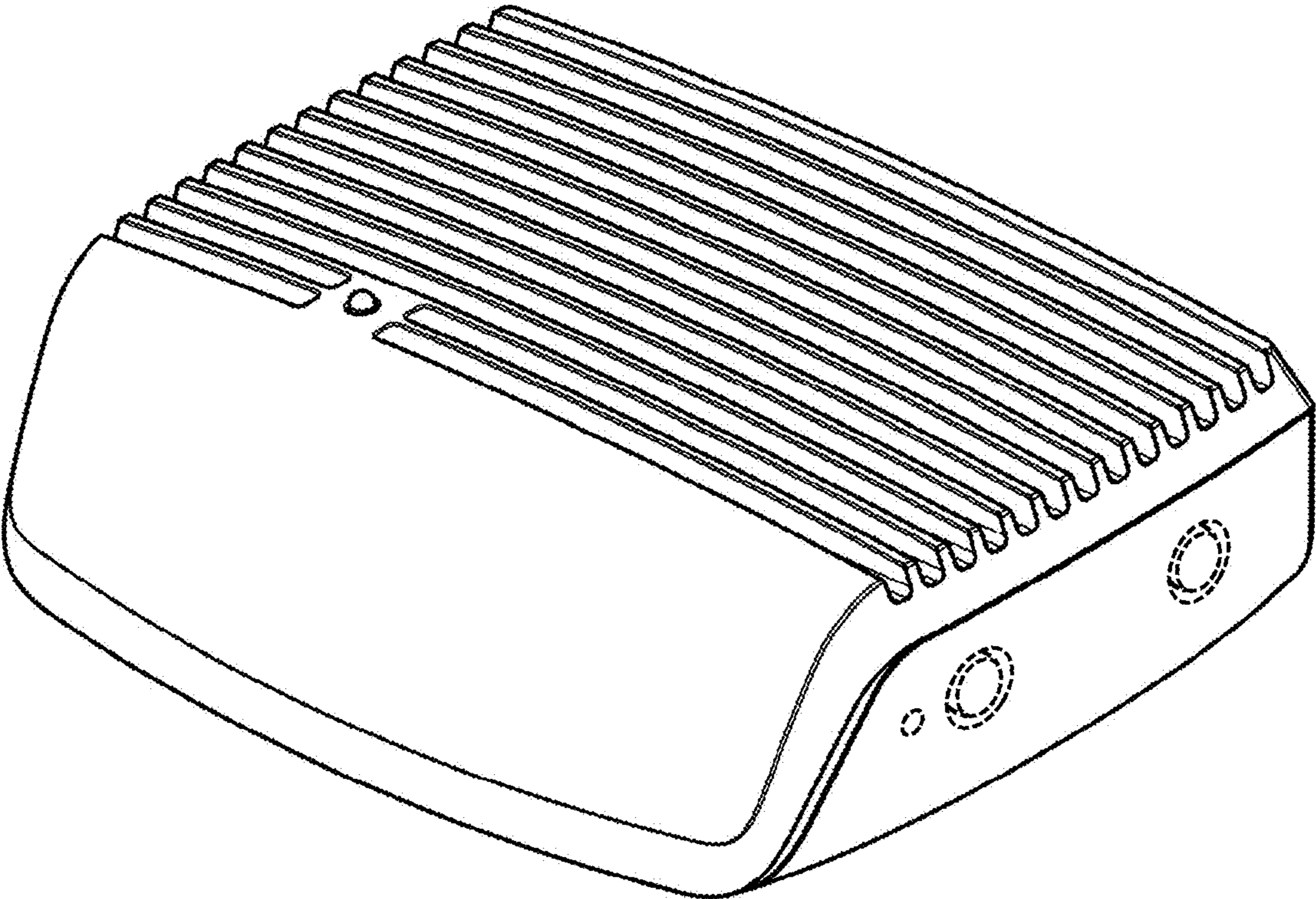


FIG. 1

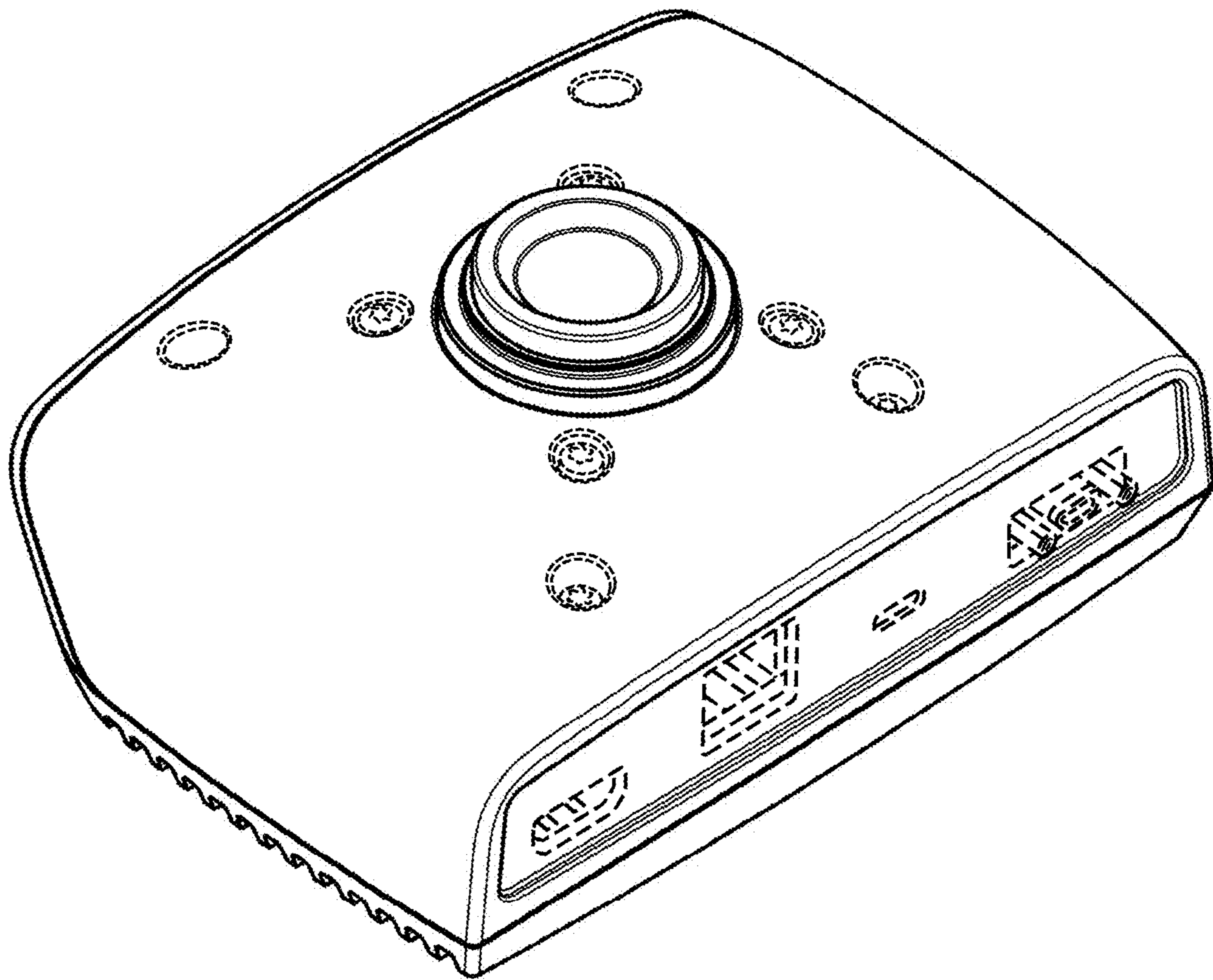


FIG. 2



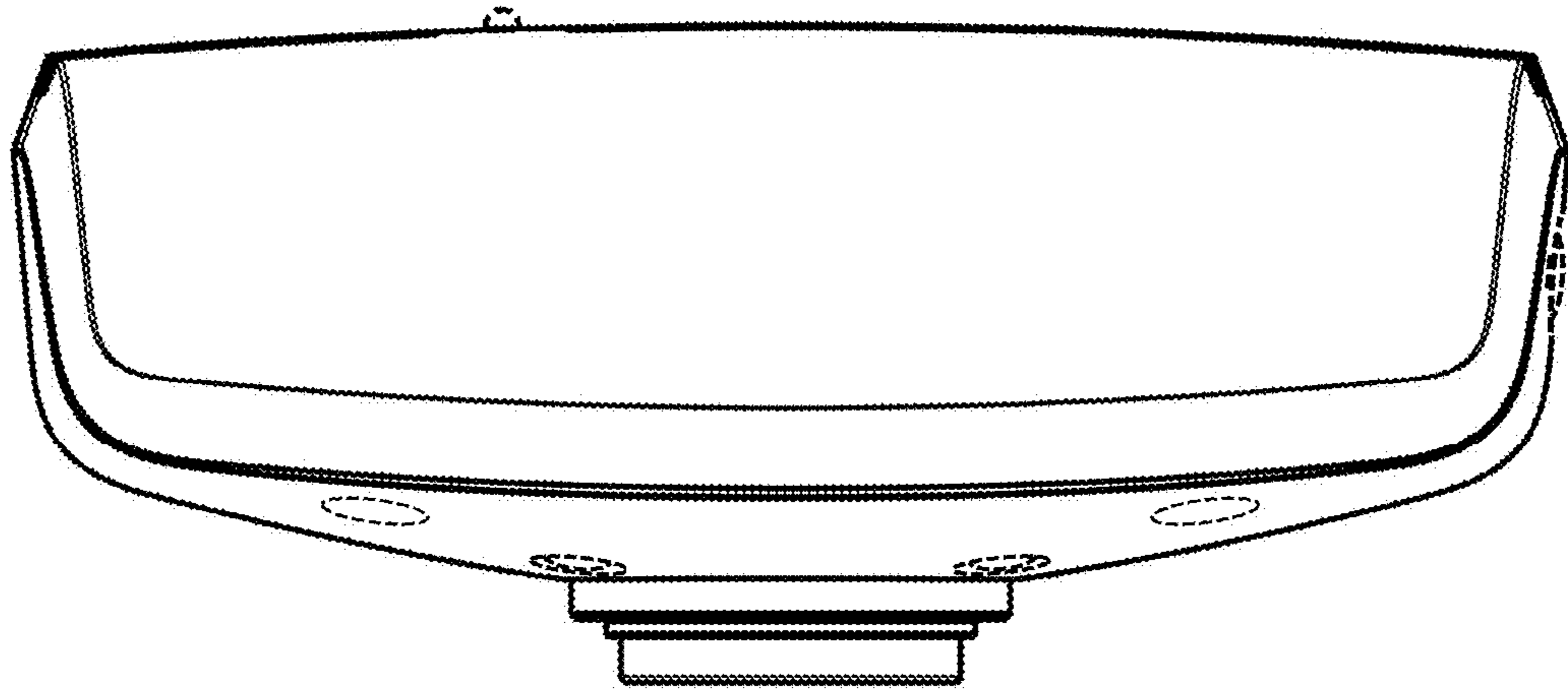


FIG. 3

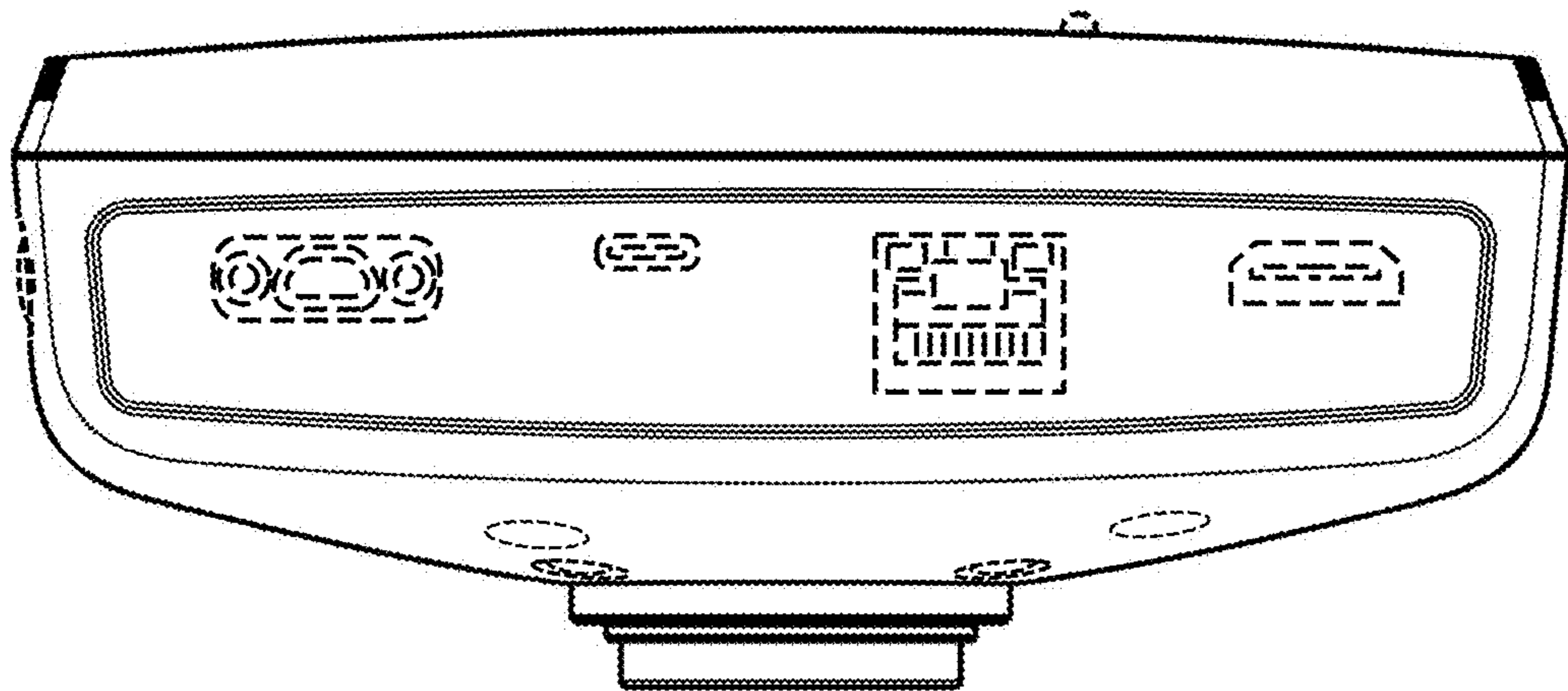


FIG. 4

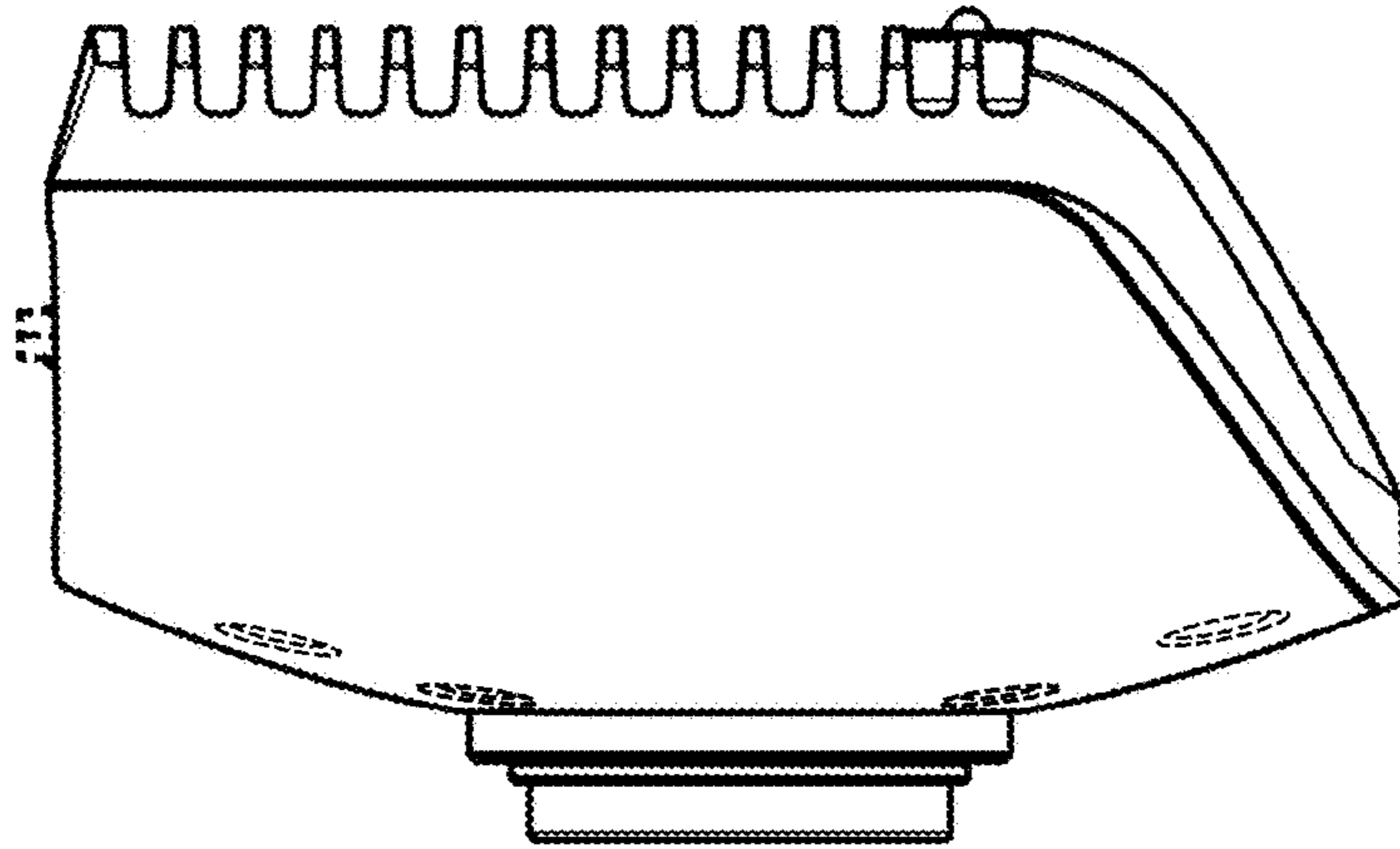


FIG. 5

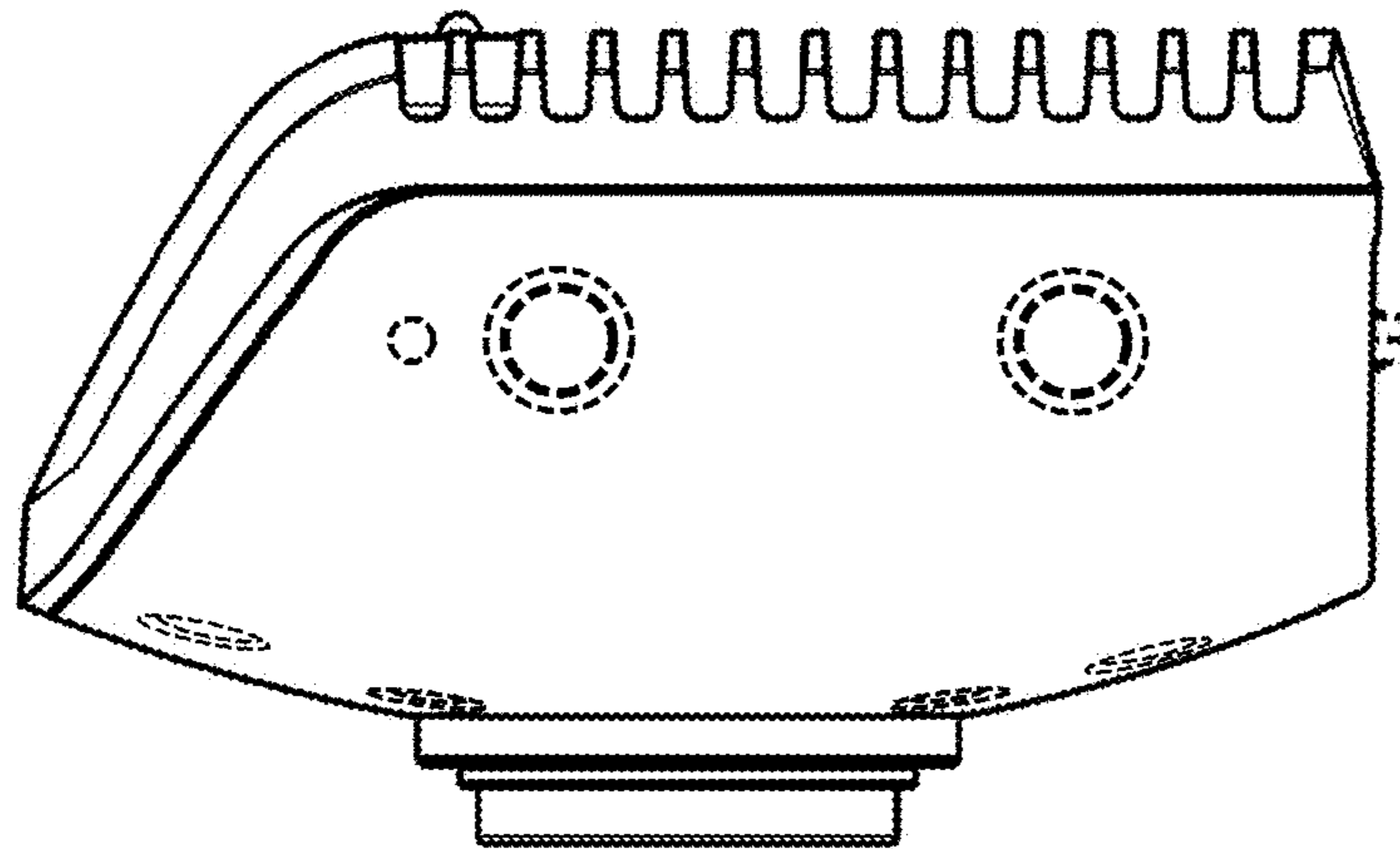


FIG. 6

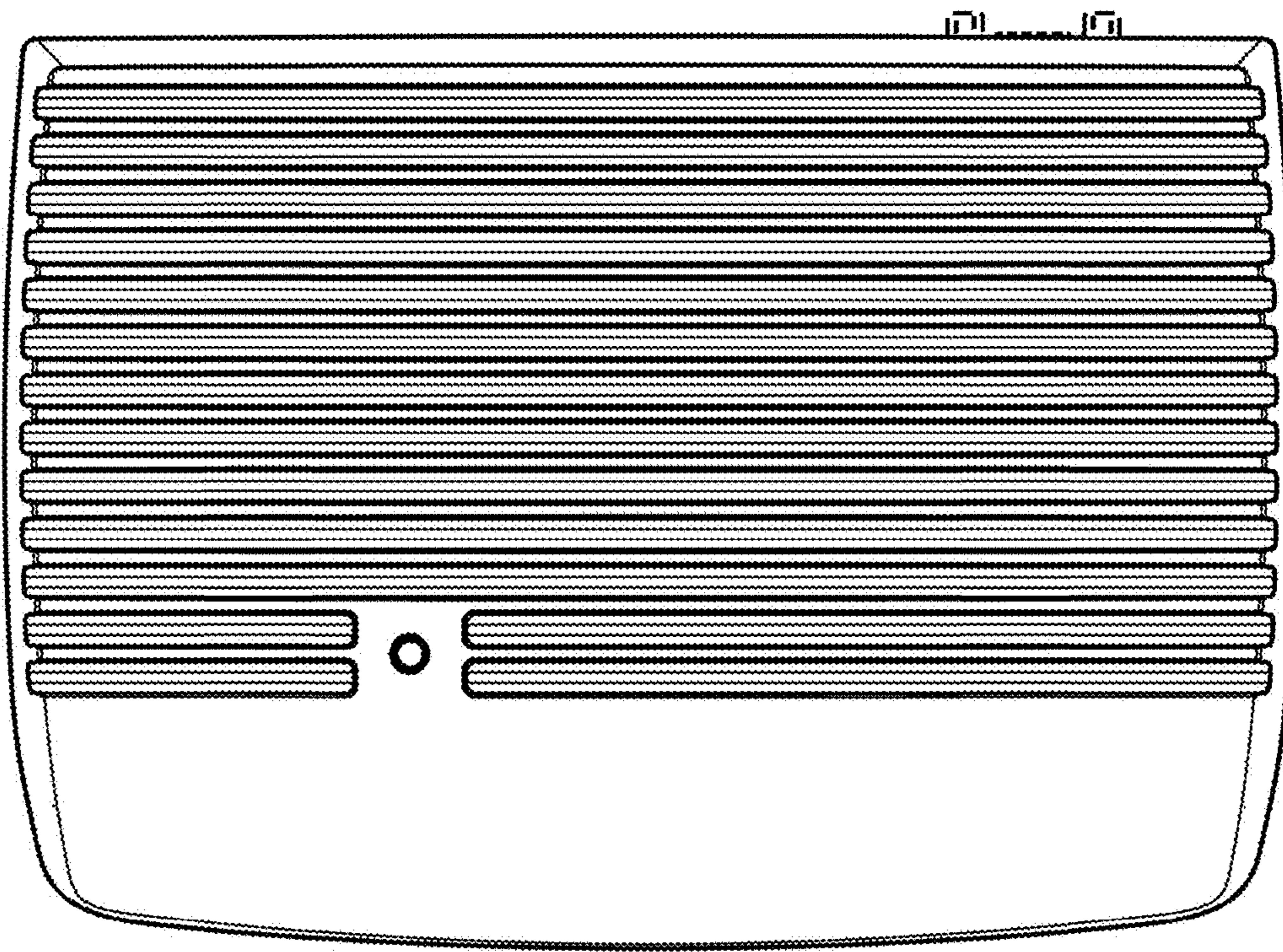


FIG. 7

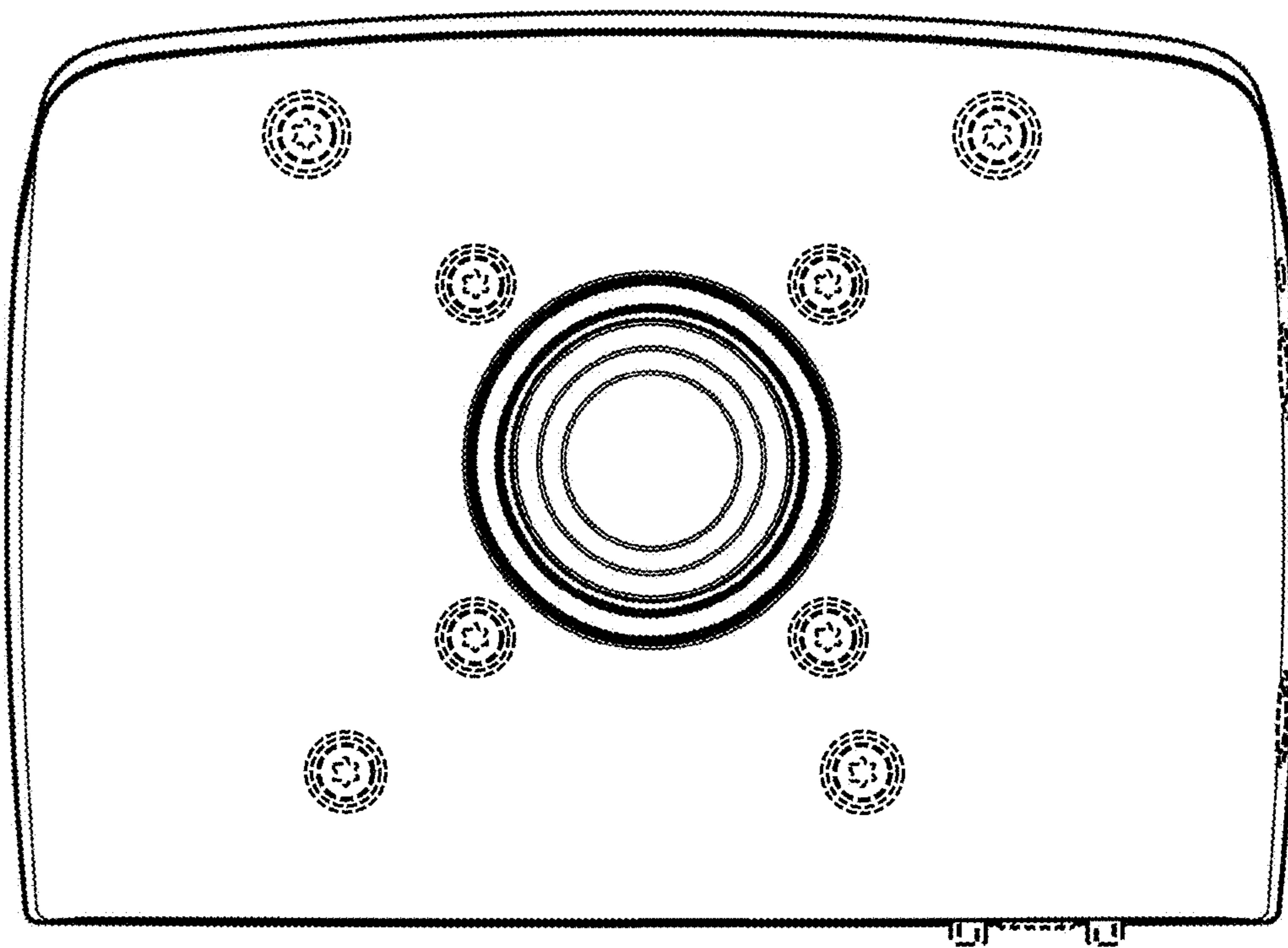


FIG. 8