



US00D923070S

(12) **United States Design Patent**
Hwangbo et al.

(10) **Patent No.:** **US D923,070 S**
(45) **Date of Patent:** **** Jun. 22, 2021**

(54) **ROBOT ULTRAVIOLET STERILIZER**
(71) Applicant: **LG ELECTRONICS INC., Seoul (KR)**
(72) Inventors: **Deung Hwangbo, Seoul (KR); Keunho Ju, Seoul (KR); Hojae Jung, Seoul (KR); Eunkyung Noh, Seoul (KR); Jaemyung Lim, Seoul (KR); Jeaseok Seong, Seoul (KR)**

(73) Assignee: **LG ELECTRONICS INC., Seoul (KR)**

(**) Term: **15 Years**

(21) Appl. No.: **29/735,529**

(22) Filed: **May 21, 2020**

(30) **Foreign Application Priority Data**

Dec. 23, 2019 (KR) 30-2019-0062479

(51) **LOC (13) Cl.** **15-99**

(52) **U.S. Cl.**
USPC **D15/199; D32/21**

(58) **Field of Classification Search**
USPC D15/199; D21/578-583, 621, 622; D32/21; D34/34
CPC A47L 9/2842; A47L 9/2636; B25J 5/007; B25J 11/00; B25J 11/008; B62D 57/024; E04H 4/1654; E04H 4/1663; E04H 4/1672; G05D 1/0225; G06N 3/008; Y10S 901/01

See application file for complete search history.

(56) **References Cited**

U.S. PATENT DOCUMENTS

D194,216 S * 12/1962 Campbell D21/462
D222,284 S * 10/1971 Walker D21/451

3,720,018 A * 3/1973 Peterson A63H 33/18 446/47
D261,291 S * 10/1981 Wilson D21/443
D291,461 S * 8/1987 Kitamura D21/582
D304,944 S * 12/1989 Behringer D14/188
D305,815 S * 1/1990 Brooks D32/31
D596,815 S * 7/2009 Baek D32/21
D658,341 S * 4/2012 Nam D32/21
D665,547 S * 8/2012 Nam D32/21
D682,495 S * 5/2013 Kim D32/21
8,688,272 B2 * 4/2014 Hong G05D 1/0234 700/253
8,801,057 B2 * 8/2014 Kim A47L 9/2805 293/4
D733,203 S * 6/2015 Menor D15/199
D743,645 S * 11/2015 Lee D32/21
D765,750 S * 9/2016 Miller D15/199
D860,026 S * 9/2019 Siminoff D10/106.3
D879,852 S * 3/2020 Chen D15/199
D897,386 S * 9/2020 He D15/199
D902,508 S * 11/2020 Ebrahimi Afrouzi D32/21
2018/0290067 A1 * 10/2018 Miller A63H 17/002

(Continued)

Primary Examiner — Patricia A Palasik

(74) *Attorney, Agent, or Firm* — Birch, Stewart, Kolasch & Birch LLP

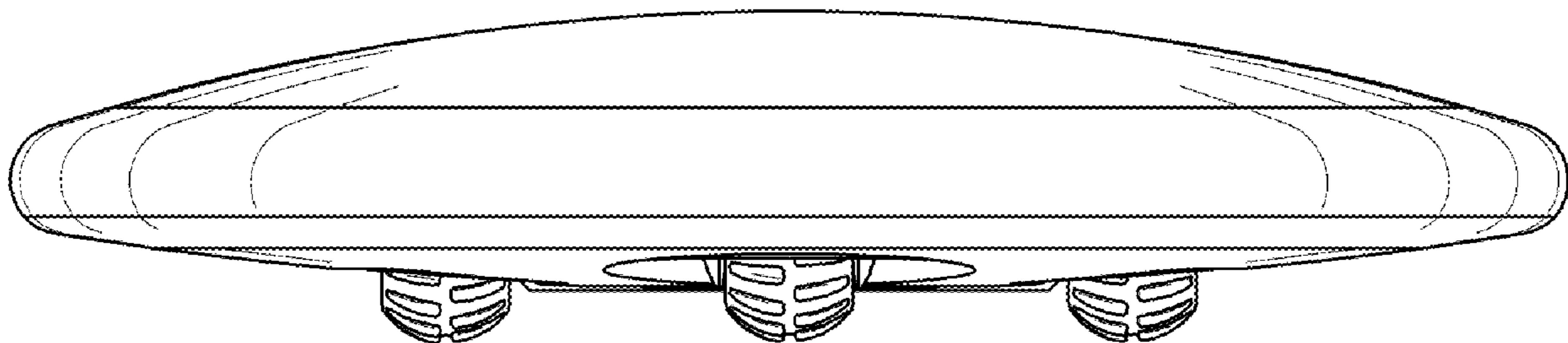
(57) **CLAIM**

We claim the ornamental design for a robot ultraviolet sterilizer, as shown and described.

DESCRIPTION

FIG. 1 is a top perspective view of a robot ultraviolet sterilizer showing the new design;
FIG. 2 is a bottom perspective view thereof;
FIG. 3 is a front elevation view thereof;
FIG. 4 is a rear elevation view thereof;
FIG. 5 is a left-side elevation view thereof;
FIG. 6 is a right-side elevation view thereof;
FIG. 7 is a top plan view thereof; and,
FIG. 8 is a bottom plan view thereof.

1 Claim, 8 Drawing Sheets



(56)

References Cited

U.S. PATENT DOCUMENTS

2020/0087031 A1* 3/2020 Yoo A61L 2/10
2020/0087134 A1* 3/2020 Youn B67D 1/0878

* cited by examiner

FIG. 1

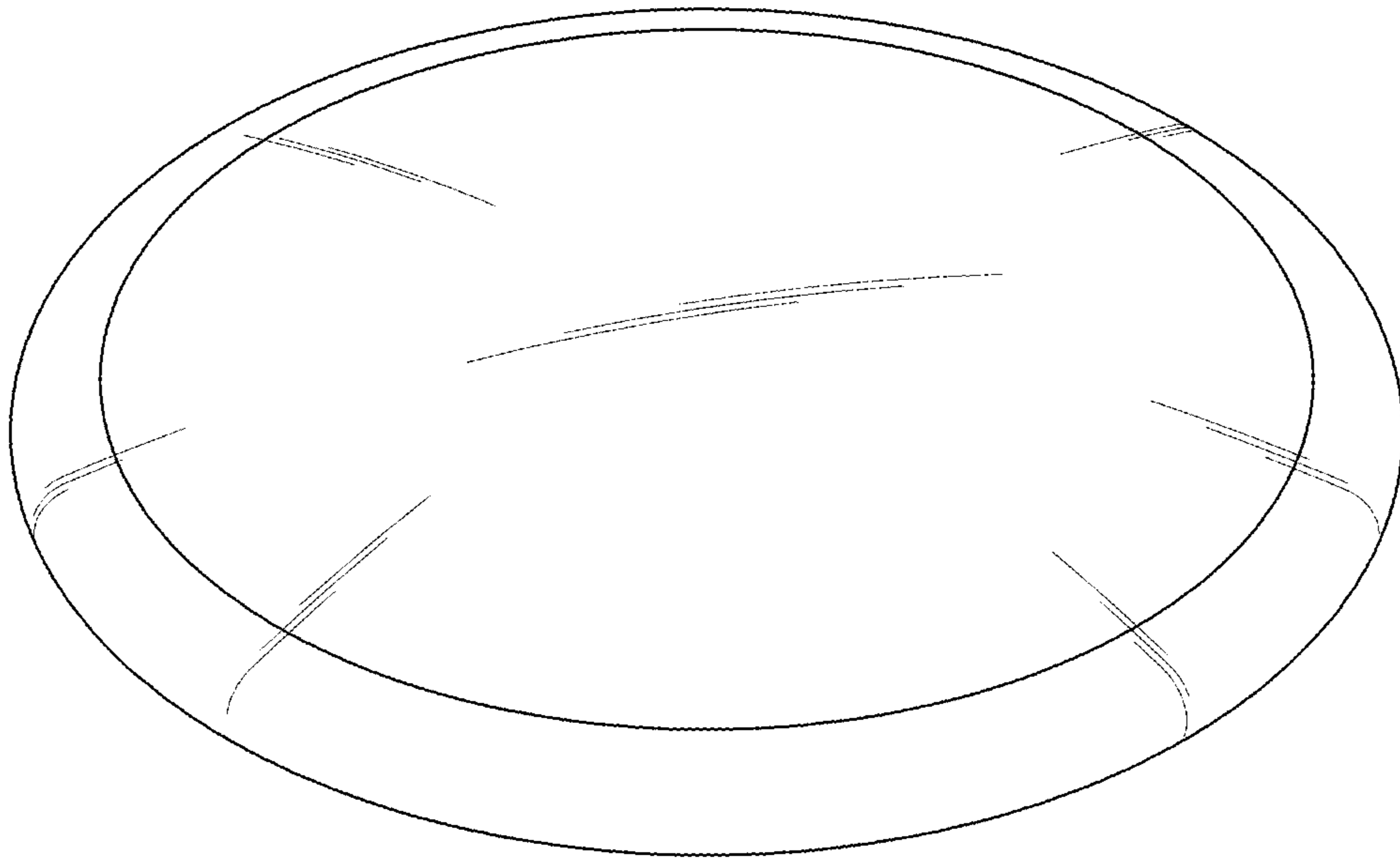


FIG. 2

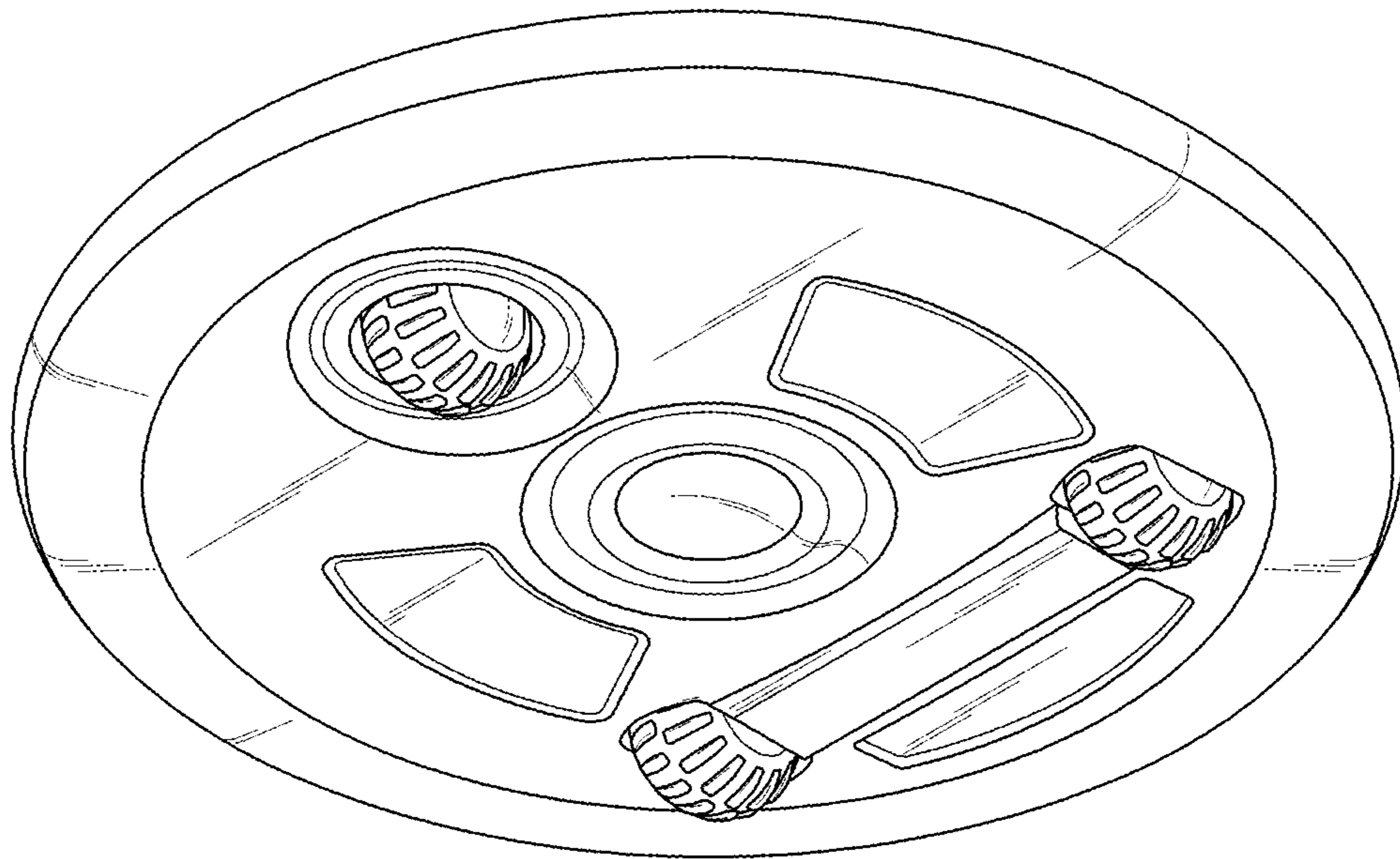


FIG. 3

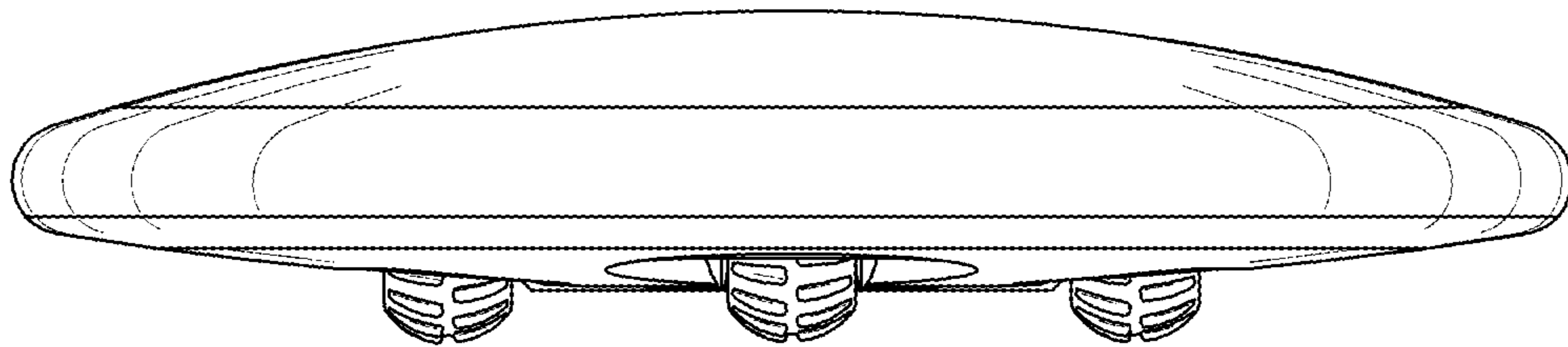


FIG. 4

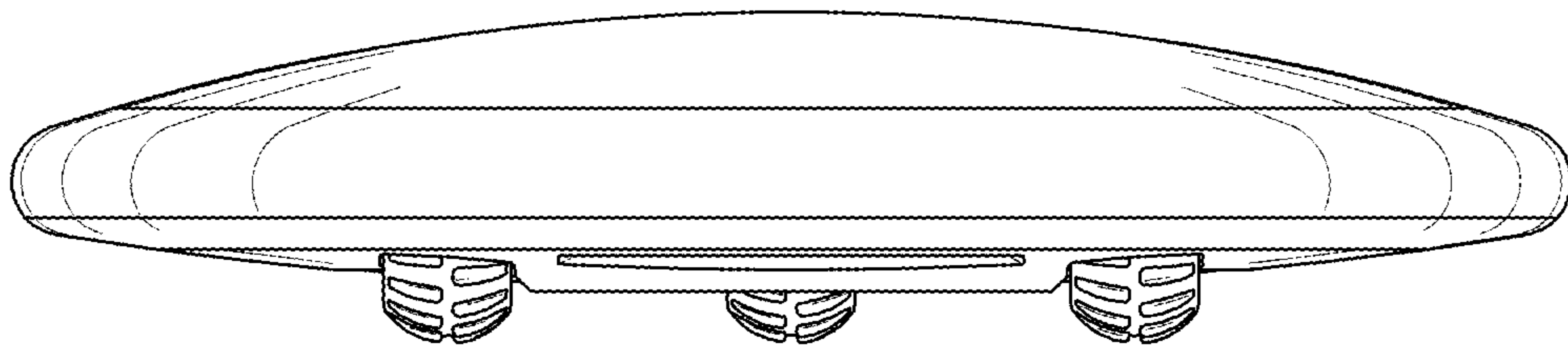


FIG. 5

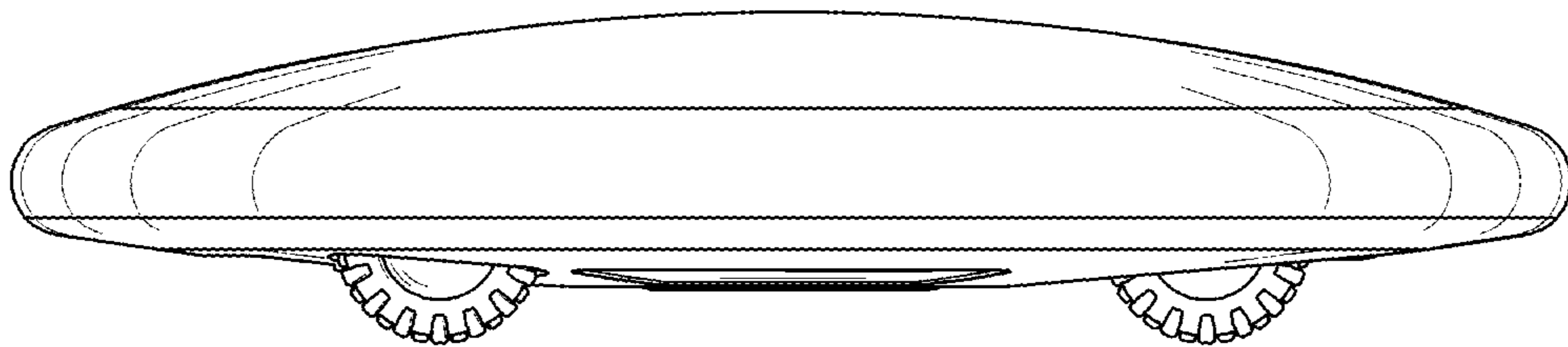


FIG. 6

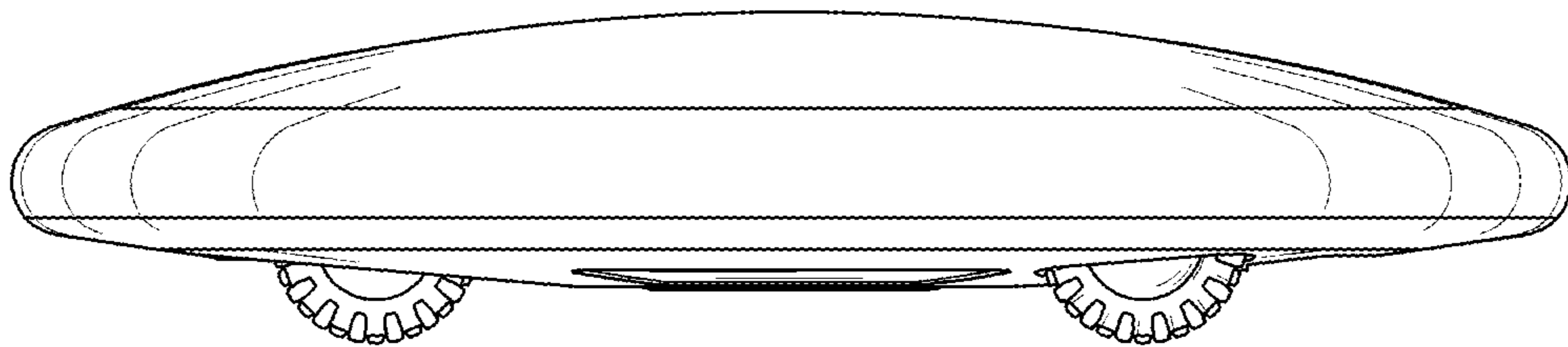


FIG. 7

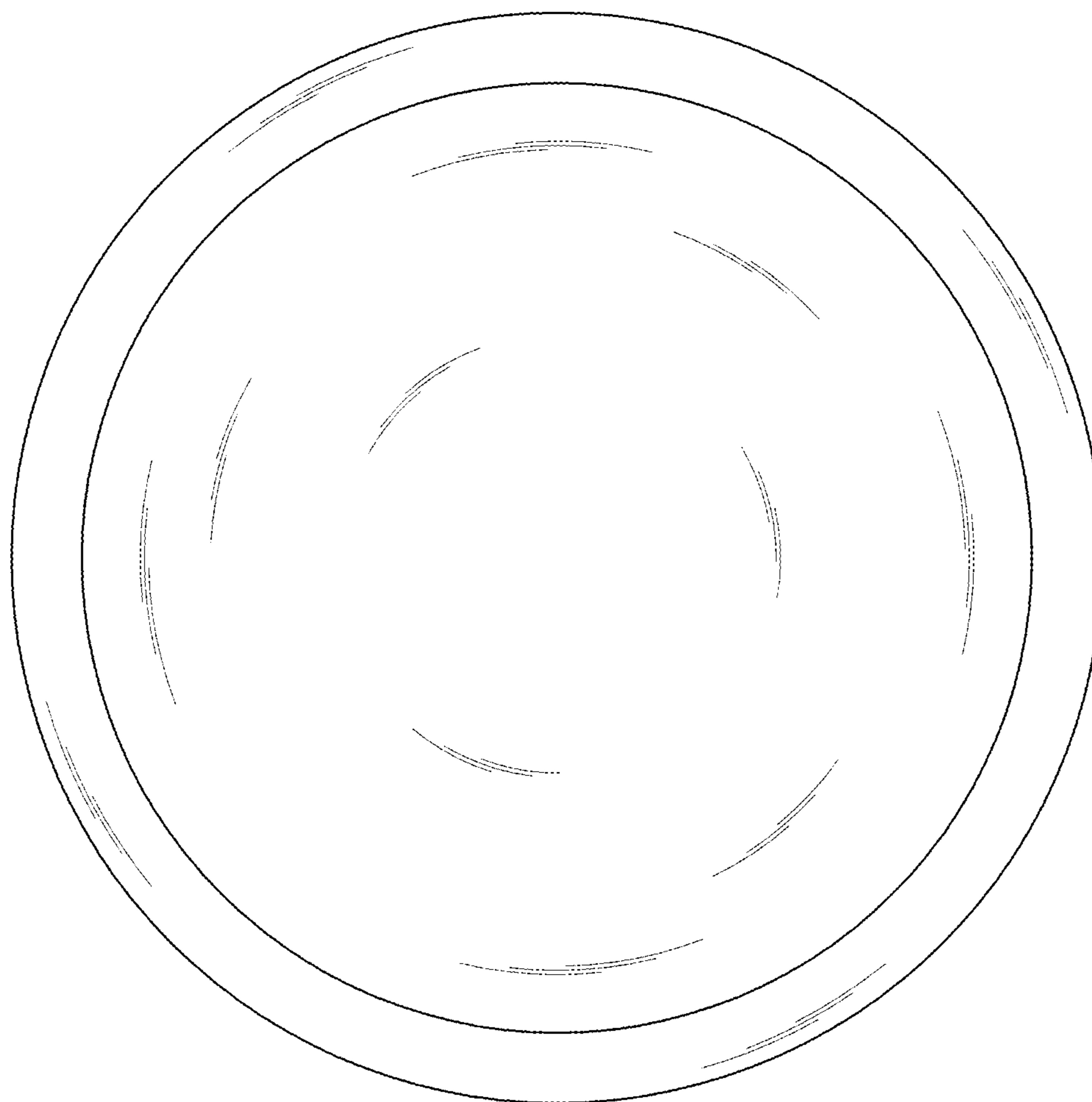


FIG. 8

