



US00D923068S

(12) **United States Design Patent**
Chen

(10) **Patent No.:** **US D923,068 S**
(45) **Date of Patent:** **** Jun. 22, 2021**

- (54) **ELECTRIC CYLINDER**
- (71) Applicant: **TIMOTION TECHNOLOGY CO., LTD.**, New Taipei (TW)
- (72) Inventor: **Yi-Fu Chen**, New Taipei (TW)
- (73) Assignee: **TIMOTION TECHNOLOGY CO., LTD.**, New Taipei (TW)
- (**) Term: **15 Years**
- (21) Appl. No.: **29/709,797**
- (22) Filed: **Oct. 17, 2019**
- (51) **LOC (13) Cl.** **15-09**
- (52) **U.S. Cl.**
USPC **D15/143; D15/148**
- (58) **Field of Classification Search**
USPC D13/118, 158, 162, 184; D15/1-5, 7, 9, D15/143, 148, 149, 199
CPC B23Q 5/40; F16C 29/005; F16H 25/2204; F16H 25/24; F16H 2025/2034; F16H 2025/2445; H02K 7/06
See application file for complete search history.

- (56) **References Cited**
U.S. PATENT DOCUMENTS
D646,310 S * 10/2011 Lan D15/143
D656,975 S * 4/2012 Tseng D15/143
9,074,659 B2 * 7/2015 Wu F16H 1/125
9,228,647 B2 * 1/2016 Wu F16H 25/20
D765,749 S * 9/2016 Wu D15/143

D767,656 S *	9/2016	Wu	D15/143
D776,728 S *	1/2017	Wu	D15/143
D792,490 S *	7/2017	Lin	D15/143
D792,492 S *	7/2017	Lin	D15/143
D800,195 S *	10/2017	Lin	D15/148
D819,100 S *	5/2018	Lin	D15/148
D821,471 S *	6/2018	Zhuang	D15/148
D852,248 S *	6/2019	Zhuang	D15/148
D861,052 S *	9/2019	Zhuang	D15/143
D865,018 S *	10/2019	Zhou	D15/148
D865,019 S *	10/2019	Zhou	D15/148

* cited by examiner

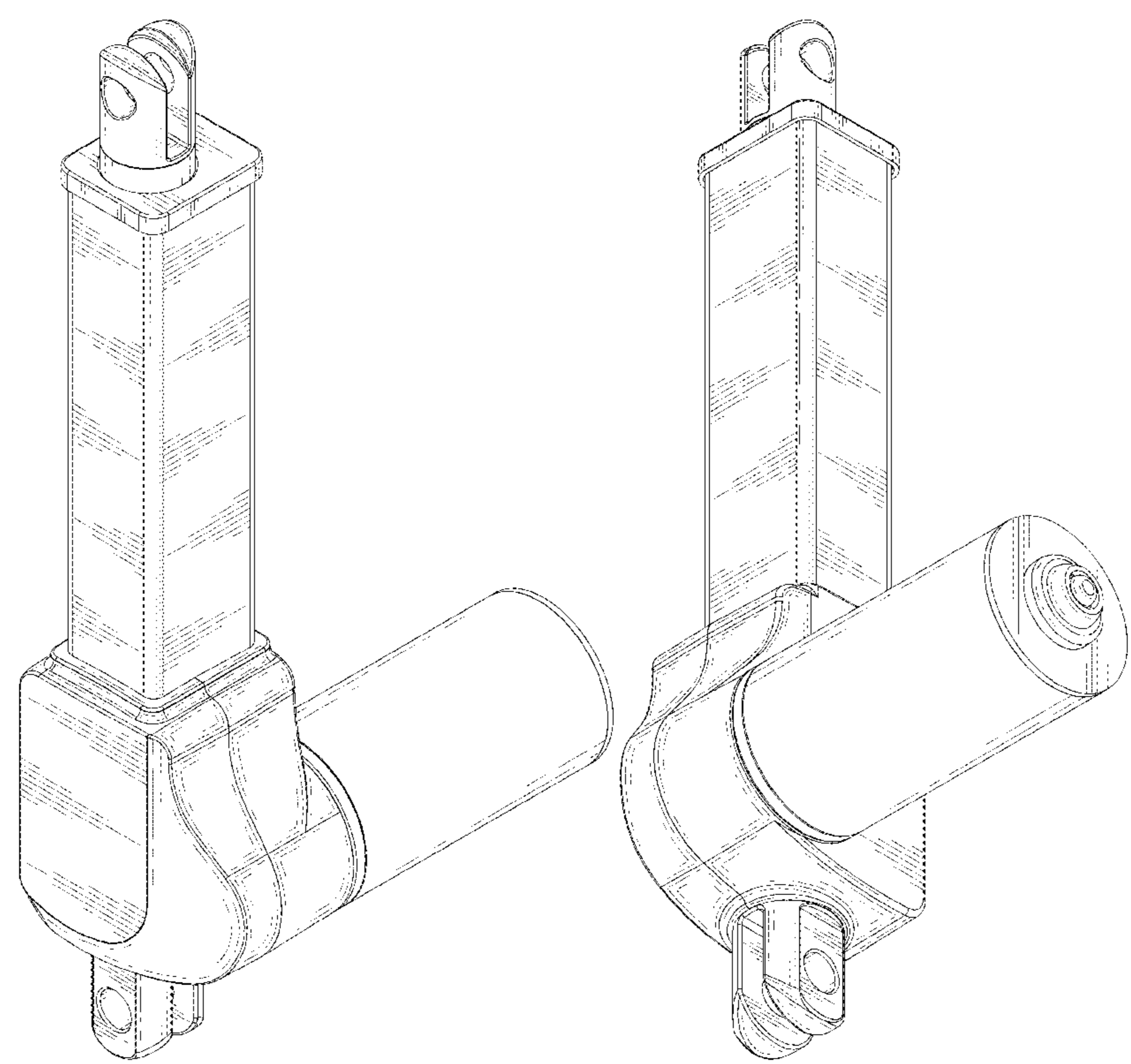
Primary Examiner — Michael C Stout
Assistant Examiner — Fritzgerald L Butac
(74) *Attorney, Agent, or Firm* — Chun-Ming Shih; HDLS IPR Services

(57) **CLAIM**
The ornamental design for an electric cylinder, as shown and described.

DESCRIPTION

FIG. 1 is a perspective view of an electric cylinder showing my new design;
FIG. 2 is a front view thereof;
FIG. 3 is a rear view thereof;
FIG. 4 is a left side view thereof;
FIG. 5 is a right side view thereof;
FIG. 6 is a top view thereof;
FIG. 7 is a bottom view thereof; and,
FIG. 8 is a second perspective view showing the electric cylinder.

1 Claim, 8 Drawing Sheets



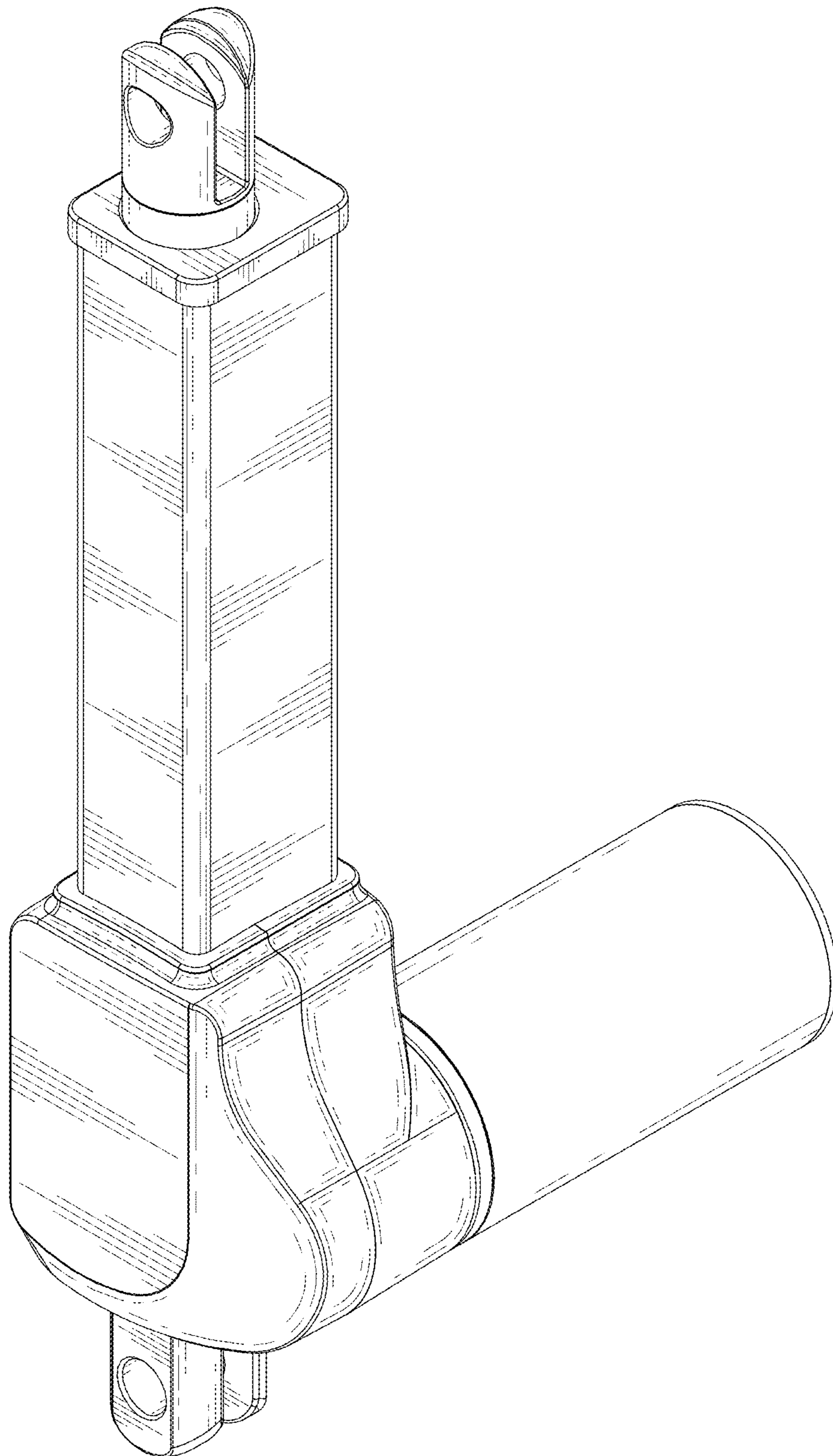


FIG. 1

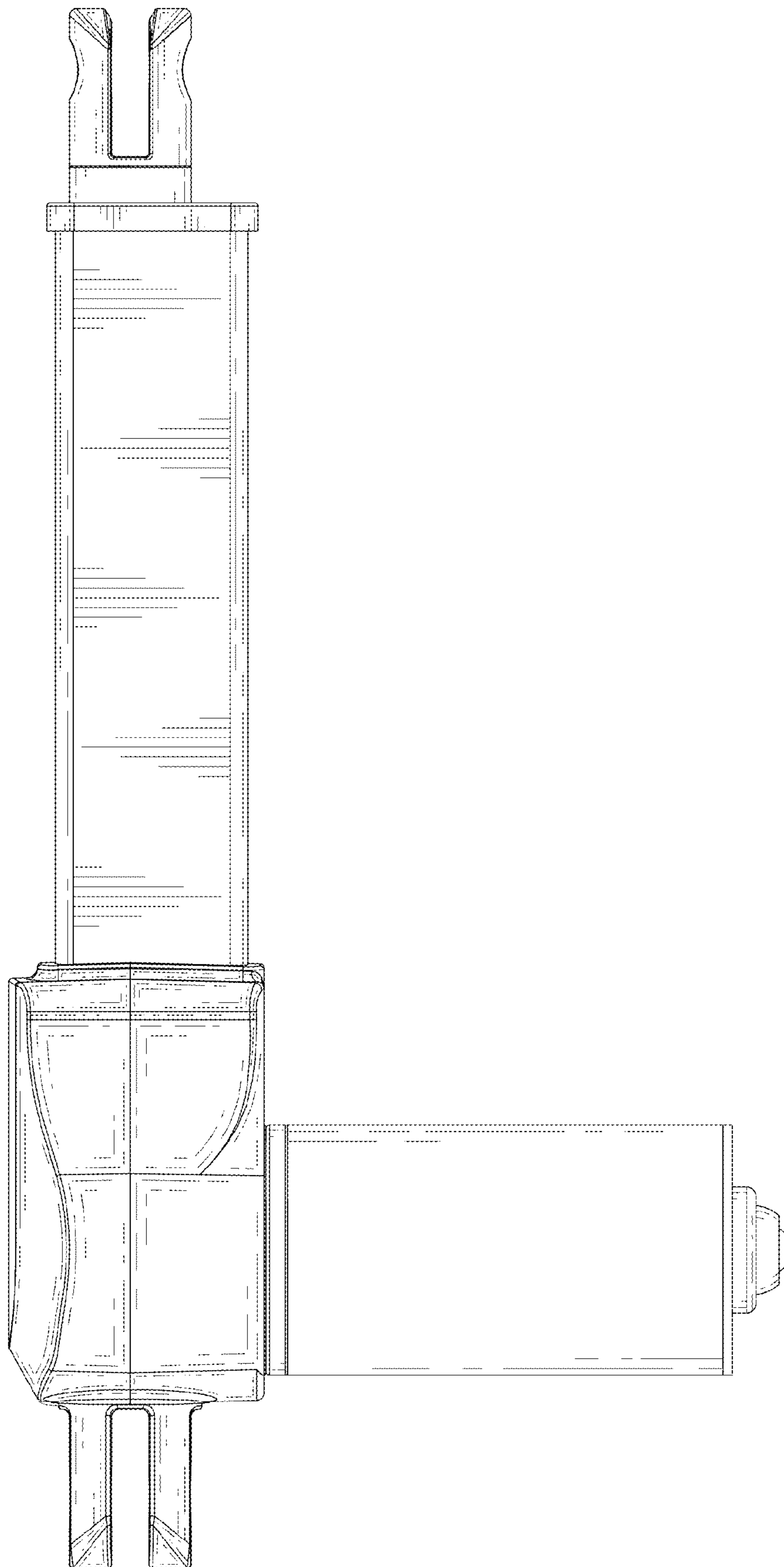


FIG.2

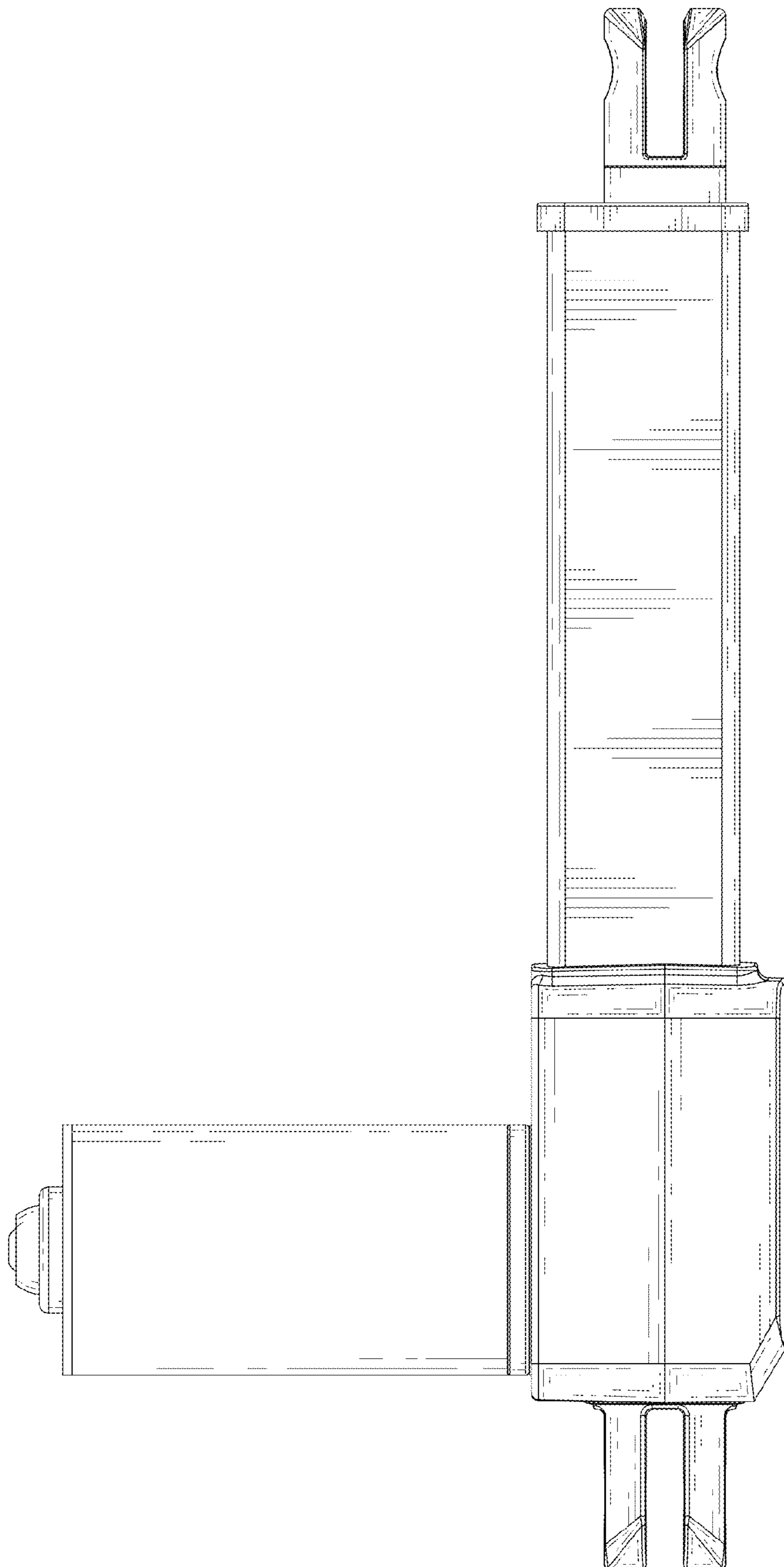


FIG.3

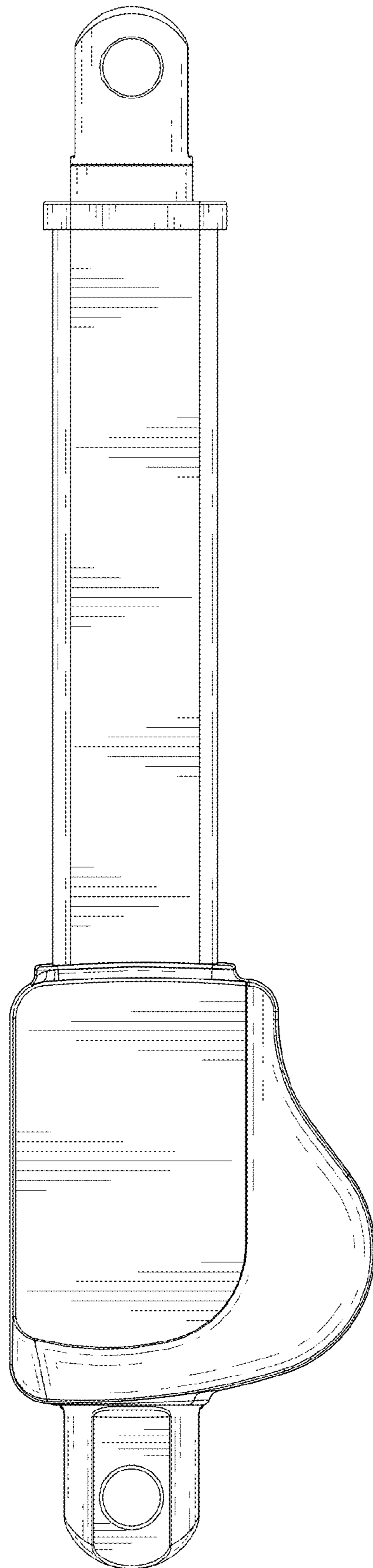


FIG.4

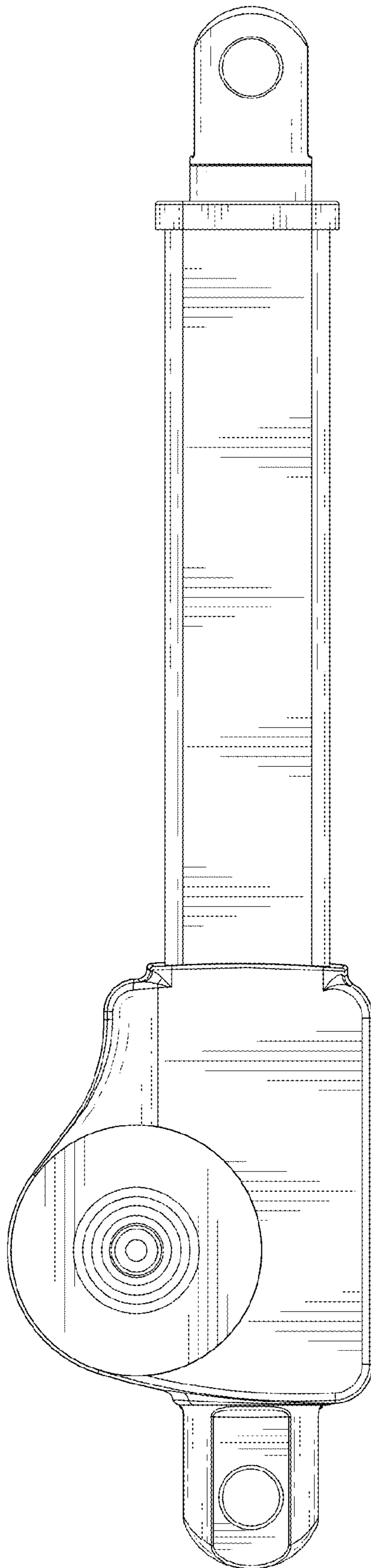


FIG.5

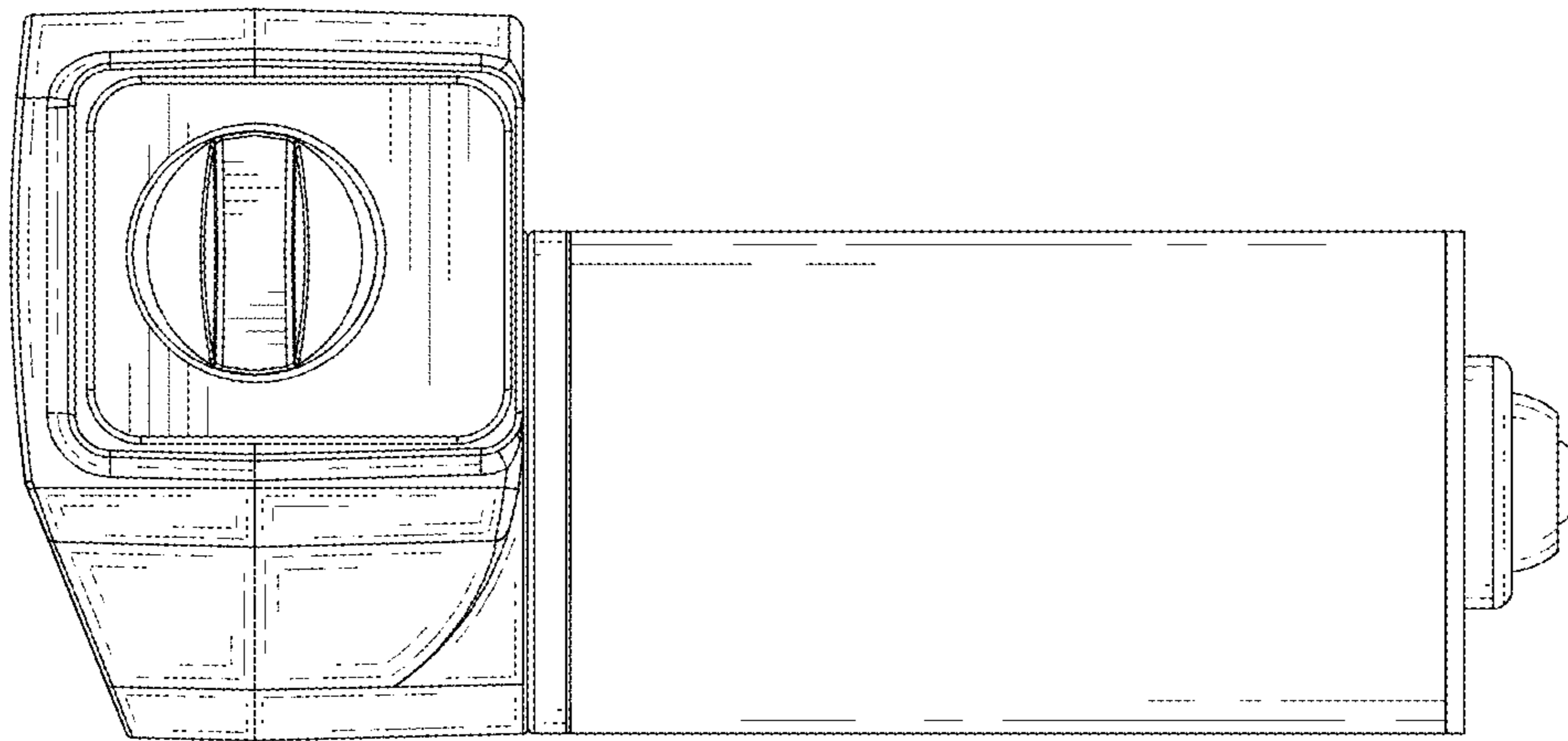


FIG.6

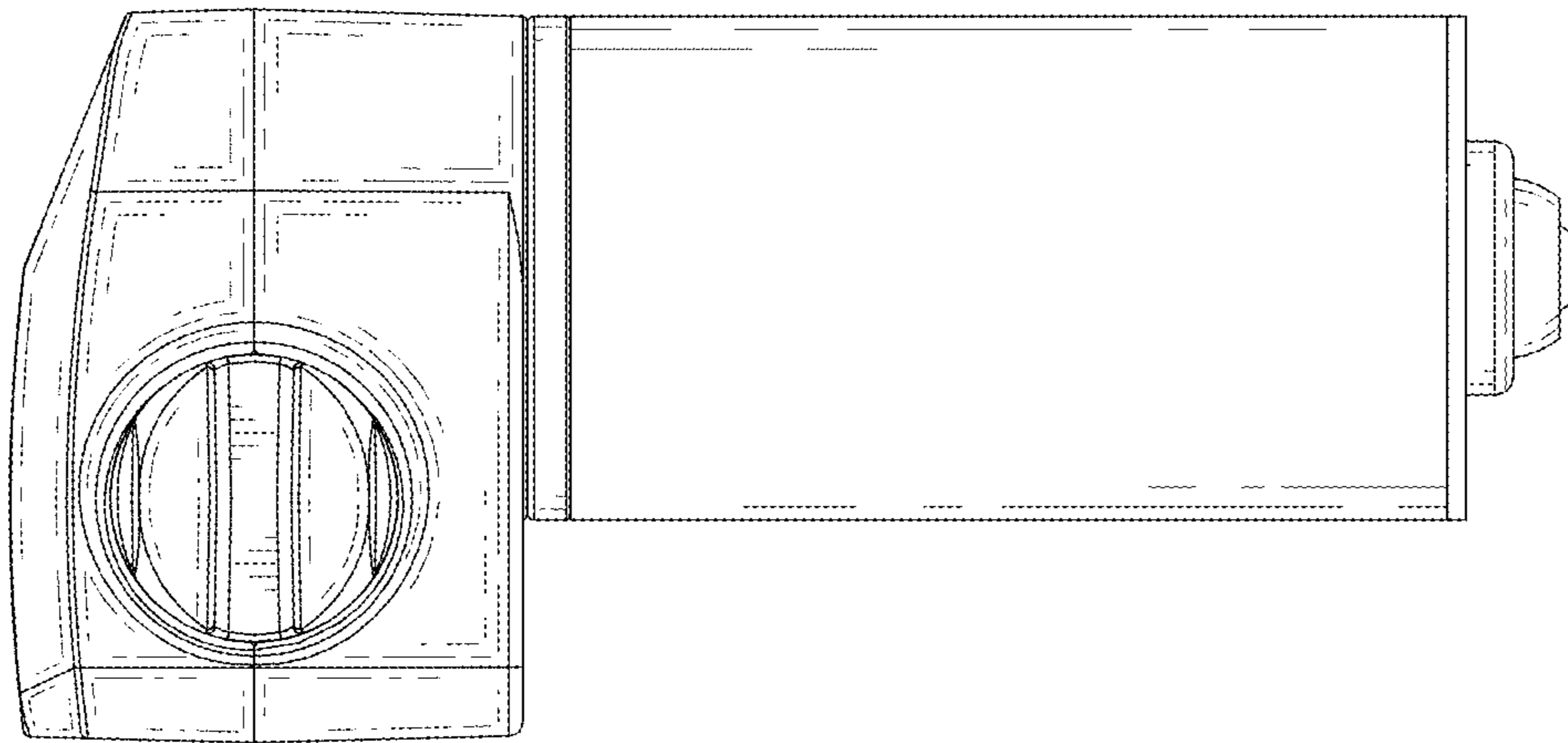


FIG.7

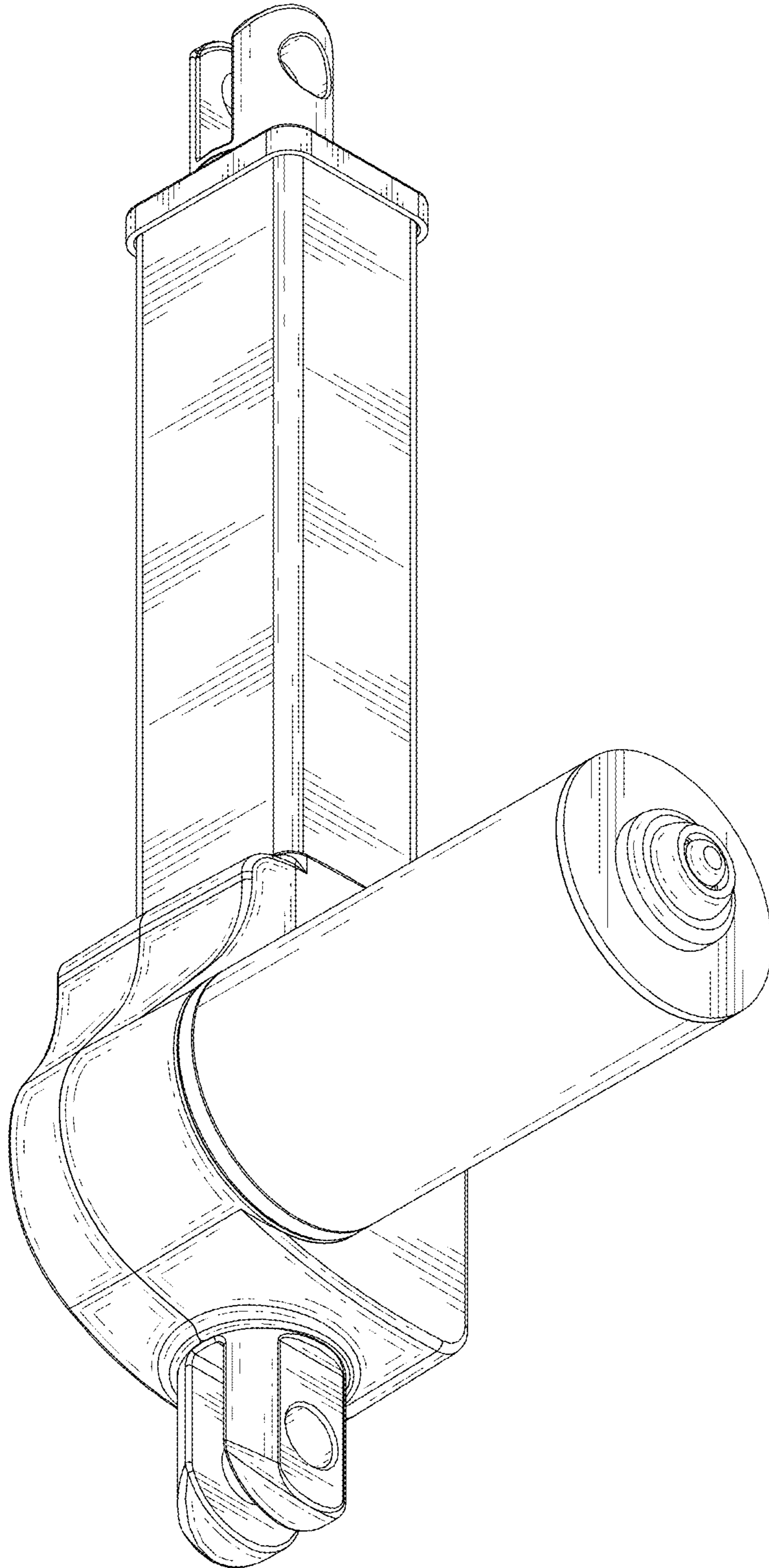


FIG.8