



US00D923067S

(12) **United States Design Patent**
Zhao

(10) **Patent No.:** **US D923,067 S**

(45) **Date of Patent:** **** Jun. 22, 2021**

(54) **ICE MOLD TRAY**

(71) Applicant: **Ying Zhao**, Guangdong (CN)

(72) Inventor: **Ying Zhao**, Guangdong (CN)

(**) Term: **15 Years**

(21) Appl. No.: **29/758,182**

(22) Filed: **Nov. 12, 2020**

(51) **LOC (13) Cl.** **15-07**

(52) **U.S. Cl.**
USPC **D15/90; D7/357**

(58) **Field of Classification Search**
USPC D7/323, 354-361, 391, 500, 503, 672,
D7/675; D9/757; D15/89, 90
CPC A01K 41/02; A01K 41/023; A01K 41/026;
A01K 41/06; A21B 5/02; A21B 5/026;
A21B 5/04; A23B 5/00; A23B 5/005;
A23B 5/0052; A47J 27/00; A47J 27/004;
A47J 29/00; A47J 29/02; A47J 29/04;
A47J 29/06; A47J 36/025; A47J 36/06;
A47J 36/12

See application file for complete search history.

(56) **References Cited**

U.S. PATENT DOCUMENTS

D346,552 S *	5/1994	Krupa	D9/757
D368,414 S *	4/1996	VanHalteren	D7/675
D447,684 S *	9/2001	Hogman	D9/757
D504,286 S *	4/2005	de Cleir	D7/675
D613,132 S *	4/2010	Frank	D7/672
D661,541 S *	6/2012	Braden	D7/359
D747,621 S *	1/2016	Amerson	D7/354
D782,334 S *	3/2017	Bishop	D9/757
D810,153 S	2/2018	Hume	

D819,094 S	5/2018	Hume	
D825,253 S *	8/2018	Kilicarslan	D7/354
D829,497 S *	10/2018	Kilicarslan	D7/391
D856,061 S *	8/2019	Lombardo	D7/357
D908,747 S *	1/2021	Zhao	D15/89
D914,067 S *	3/2021	Wu	D15/90

OTHER PUBLICATIONS

VARWANE0 Ice Ball Maker Mold. Date First Available Jul. 27, 2020 <https://www.amazon.com/VARWANE0-Silicone-Whiskey-Cocktail-bourbon/dp/B08DNN1BBR/ref> (Year: 2020).*

* cited by examiner

Primary Examiner — Ricky Pham

(74) *Attorney, Agent, or Firm* — ScienBiziP, P.C.

(57) **CLAIM**

The ornamental design for an ice mold tray, as shown and described.

DESCRIPTION

FIG. 1 is a top perspective view of an ice mold tray, showing my design.

FIG. 2 is a front elevation view thereof.

FIG. 3 is a rear elevation view thereof.

FIG. 4 is a left side elevation thereof.

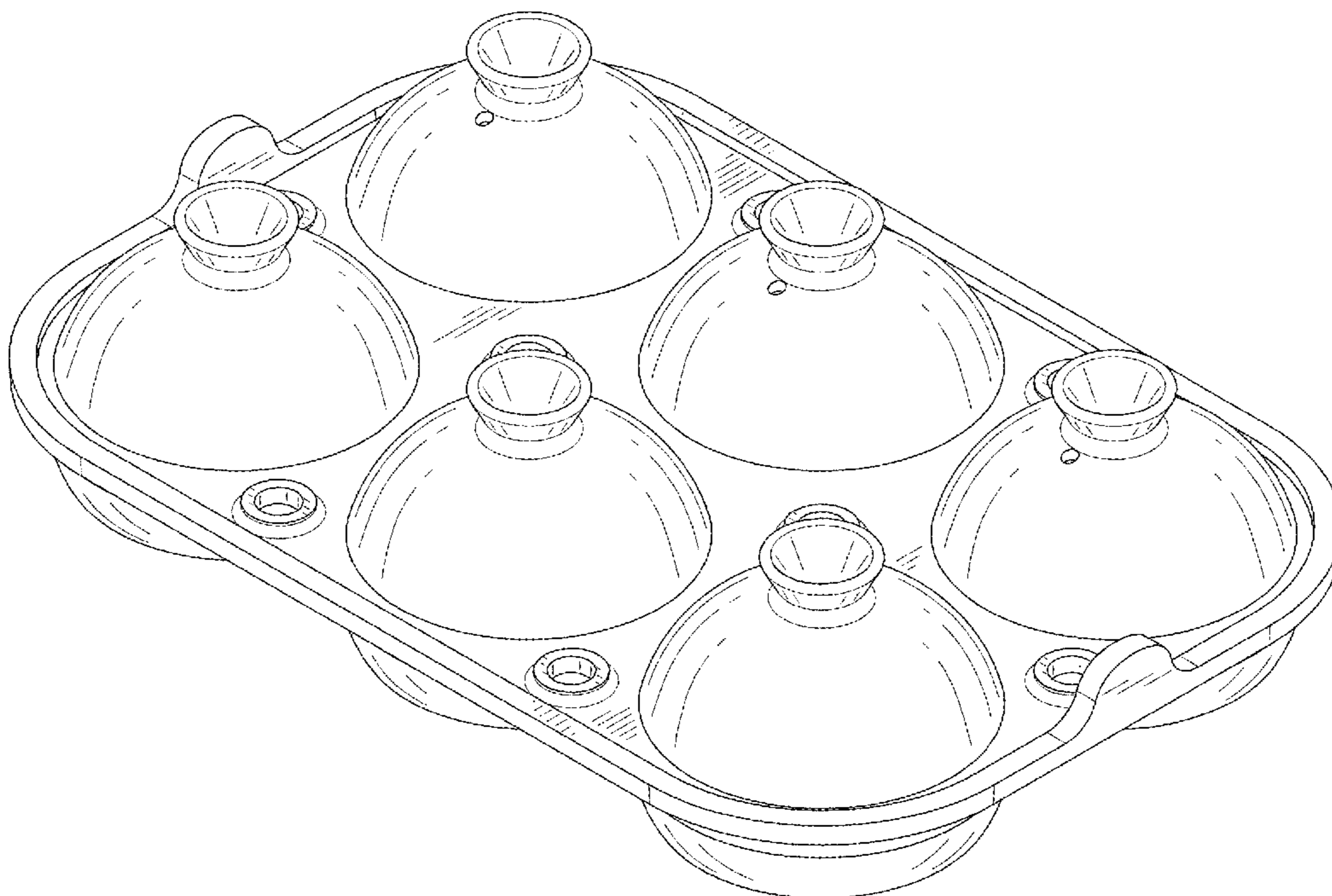
FIG. 5 is a right side elevation thereof.

FIG. 6 is a top plan view thereof.

FIG. 7 is a bottom plan view thereof; and,

FIG. 8 is a cross-sectional view along a line labeled 8 in FIG. 2.

1 Claim, 8 Drawing Sheets



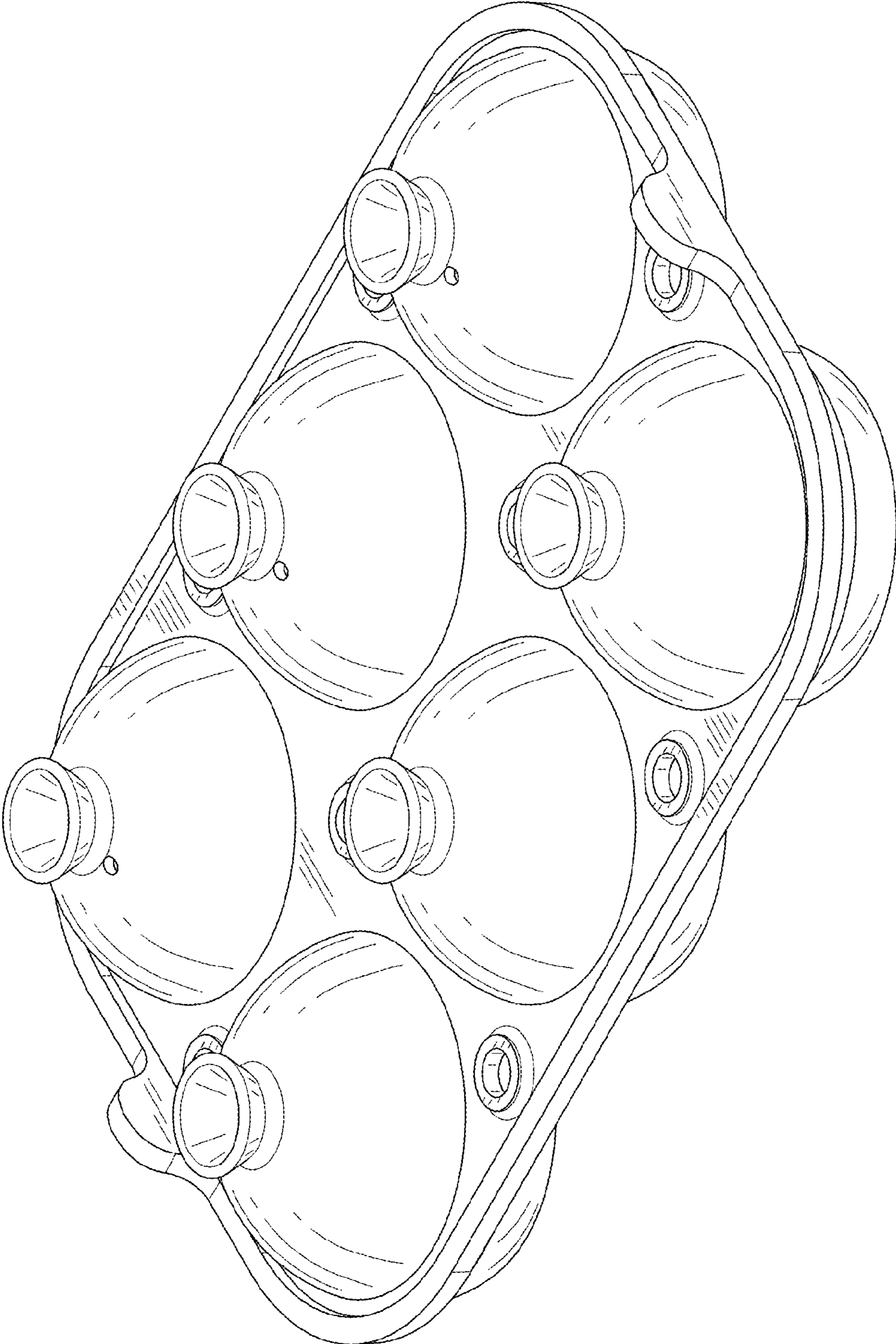


FIG.1

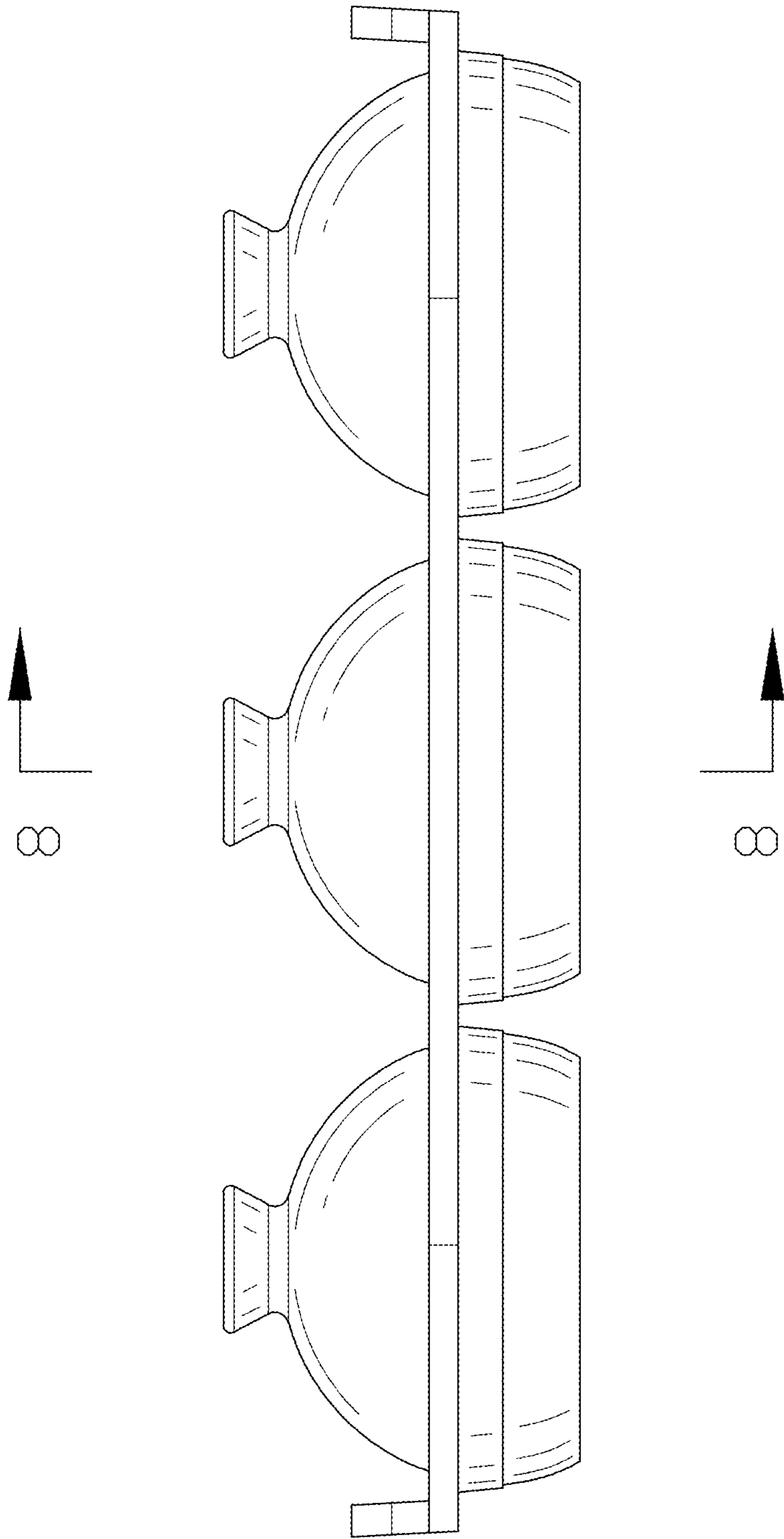


FIG.2

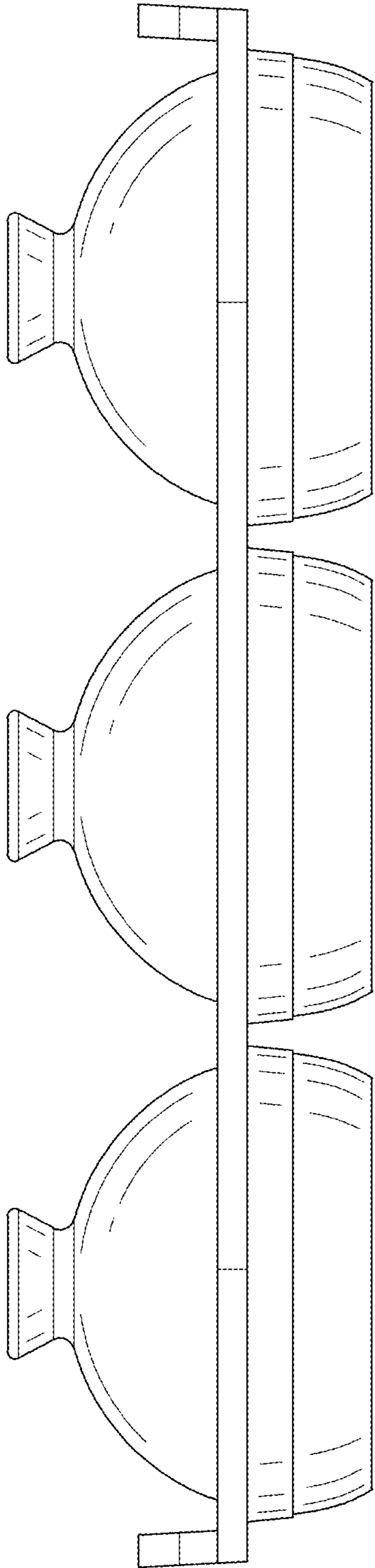


FIG. 3

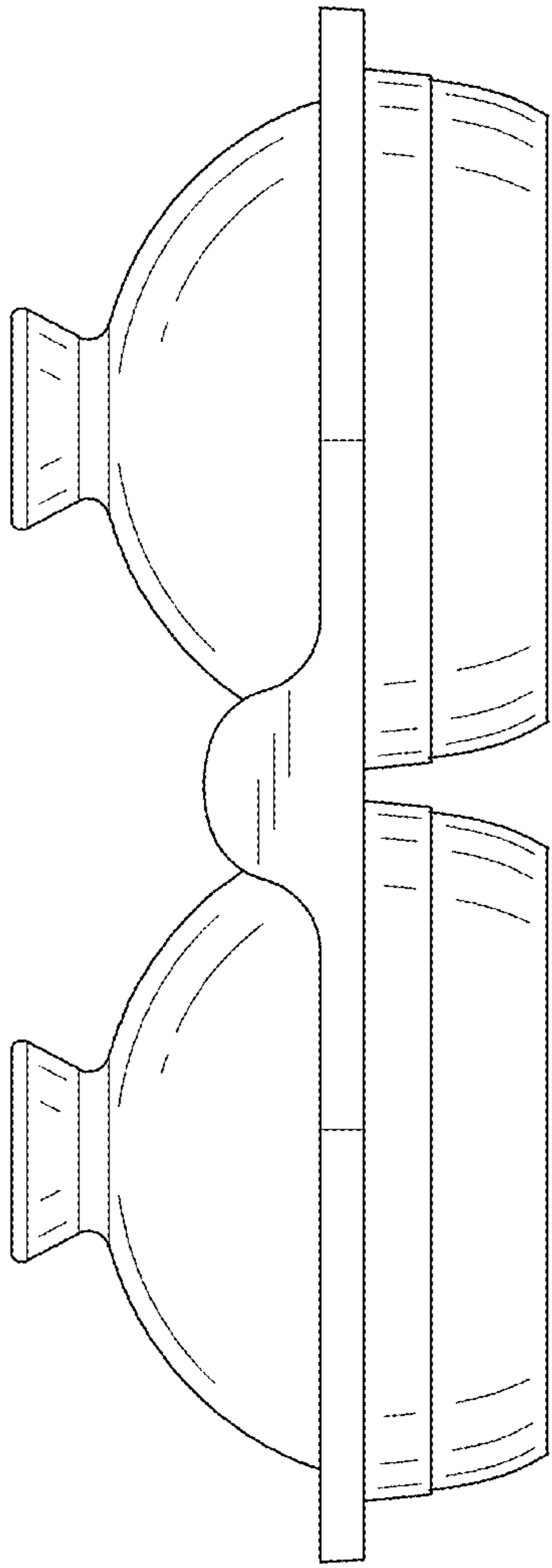


FIG. 4

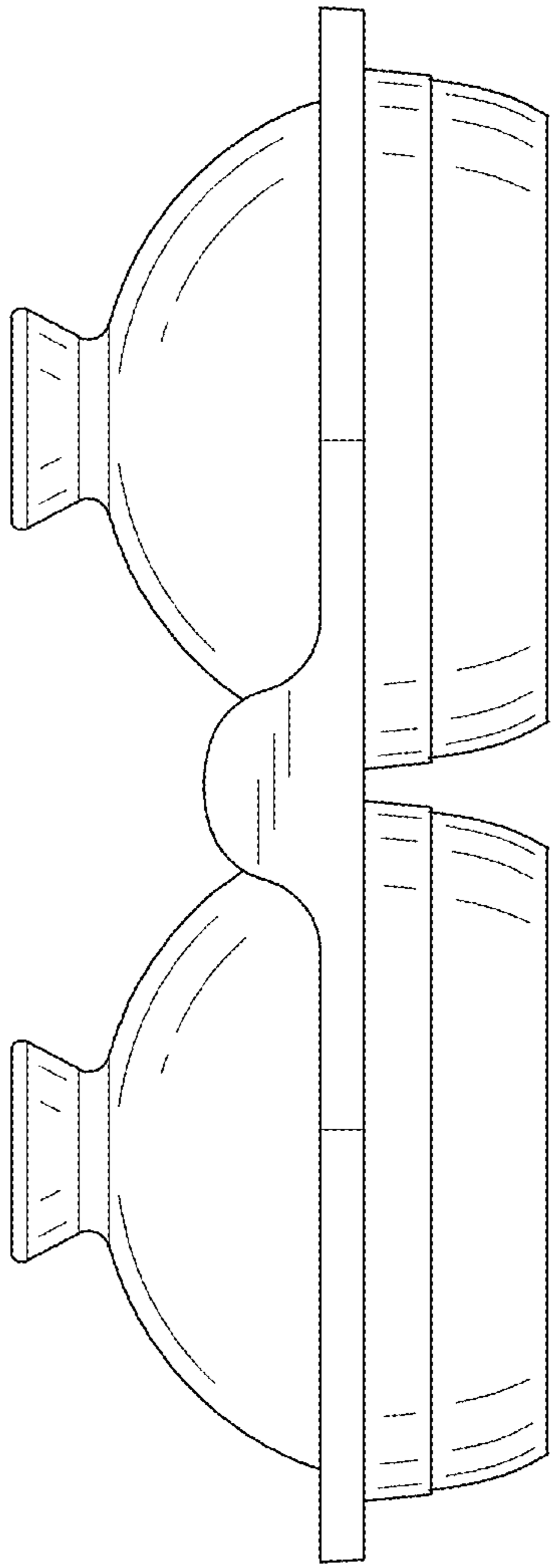


FIG. 5

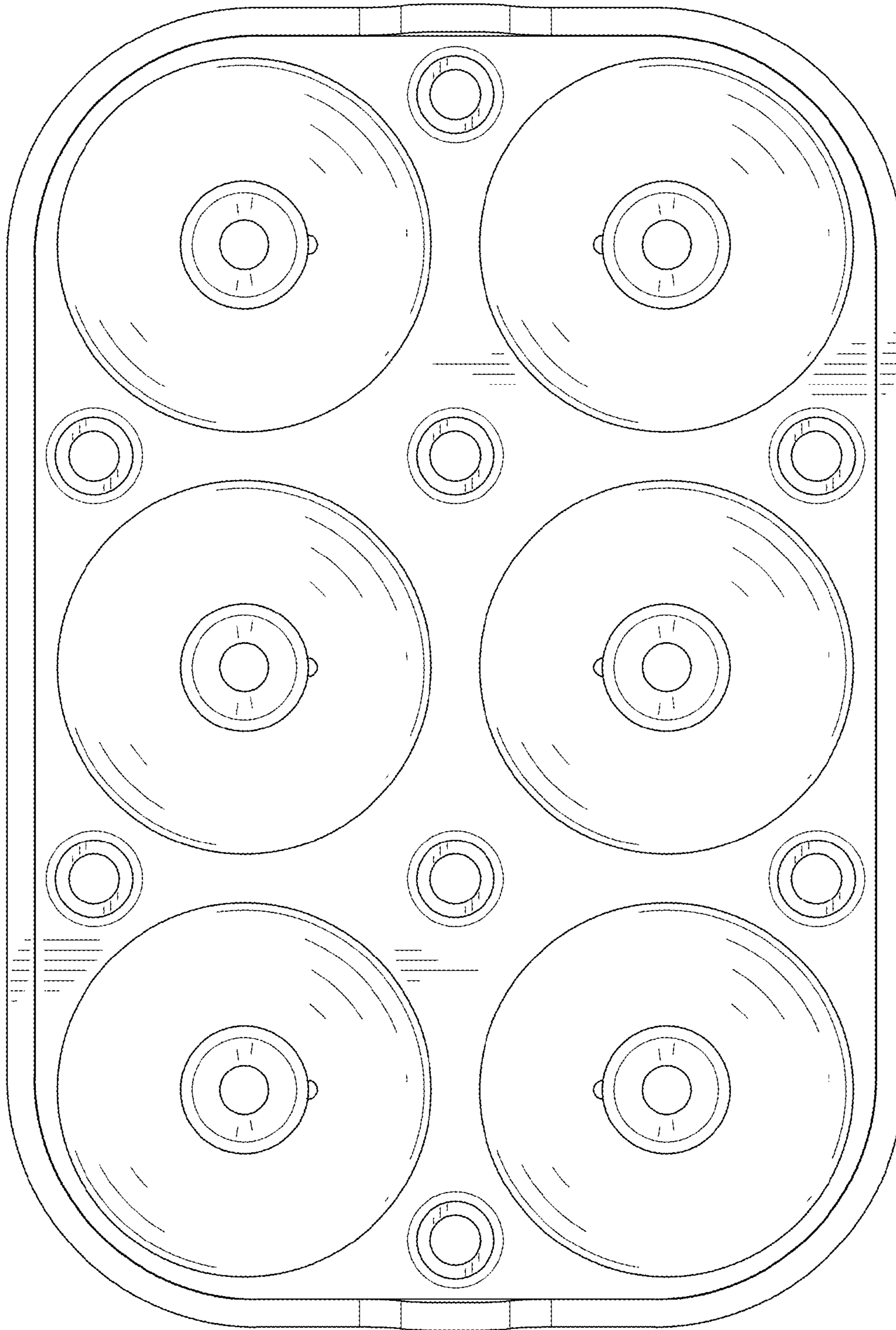


FIG.6

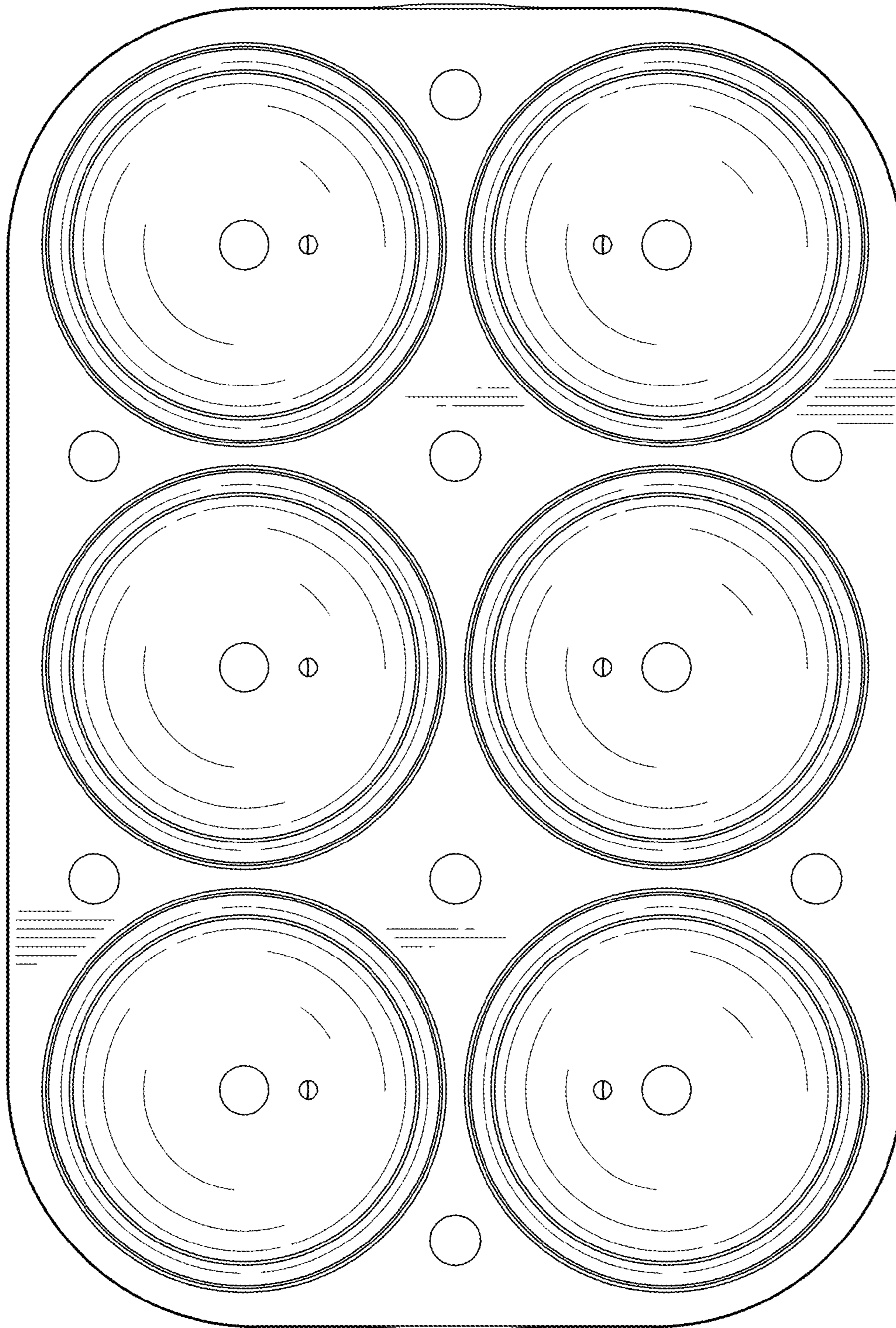


FIG. 7

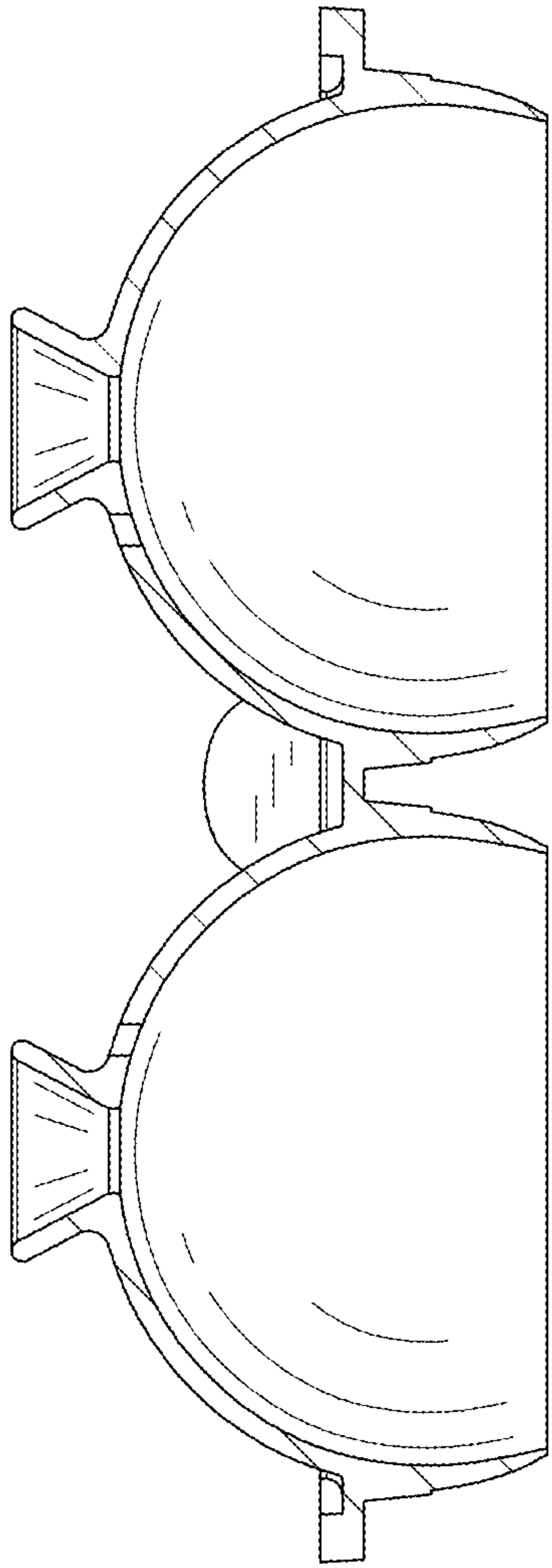


FIG. 8