



US00D923063S

(12) **United States Design Patent**
Zhang

(10) **Patent No.:** **US D923,063 S**
(45) **Date of Patent:** **** Jun. 22, 2021**

(54) **KNITTING MACHINE**

(71) Applicant: **SHENZHEN JIAMITE TRADING CO., LTD.**, Shenzhen (CN)

(72) Inventor: **Lirong Zhang**, Shenzhen (CN)

(73) Assignee: **SHENZHEN JIAMITE TRADING CO., LTD.**, Shenzhen (CN)

(**) Term: **15 Years**

(21) Appl. No.: **29/757,656**

(22) Filed: **Nov. 9, 2020**

(51) **LOC (13) Cl.** **15-06**

(52) **U.S. Cl.**
USPC **D15/66**

(58) **Field of Classification Search**
USPC D15/66–68, 78
CPC D04B 13/00–02; D04B 9/00–58; D04B 5/00; D04B 39/00; D03D 29/00; D04G 5/00

See application file for complete search history.

D247,900 S * 5/1978 Current D15/66
4,827,638 A * 5/1989 Peters D05C 1/04 108/94
D307,819 S * 5/1990 Peters D15/66
D309,056 S * 7/1990 Peters D3/25
D309,057 S * 7/1990 Peters D15/66
D309,058 S * 7/1990 Peters D3/26
D357,799 S * 5/1995 Wilkerson D3/26
D611,964 S 3/2010 Lonati
8,596,096 B1 * 12/2013 Russell D04B 3/00 66/4
D707,732 S * 6/2014 Crorey D15/66
D735,778 S * 8/2015 Nedry D15/78
D737,341 S * 8/2015 Shirai D15/66
9,234,306 B1 * 1/2016 Chang D04B 3/00
D751,124 S * 3/2016 Miller D15/66
D771,153 S * 11/2016 Lonati D15/66
D773,174 S * 12/2016 Okuma D3/26
D850,496 S 6/2019 Papenfuss
D855,666 S * 8/2019 Levin D15/66

(Continued)

Primary Examiner — Mitchell I. Siegel

(57) **CLAIM**

The ornamental design for a knitting machine, as shown and described.

DESCRIPTION

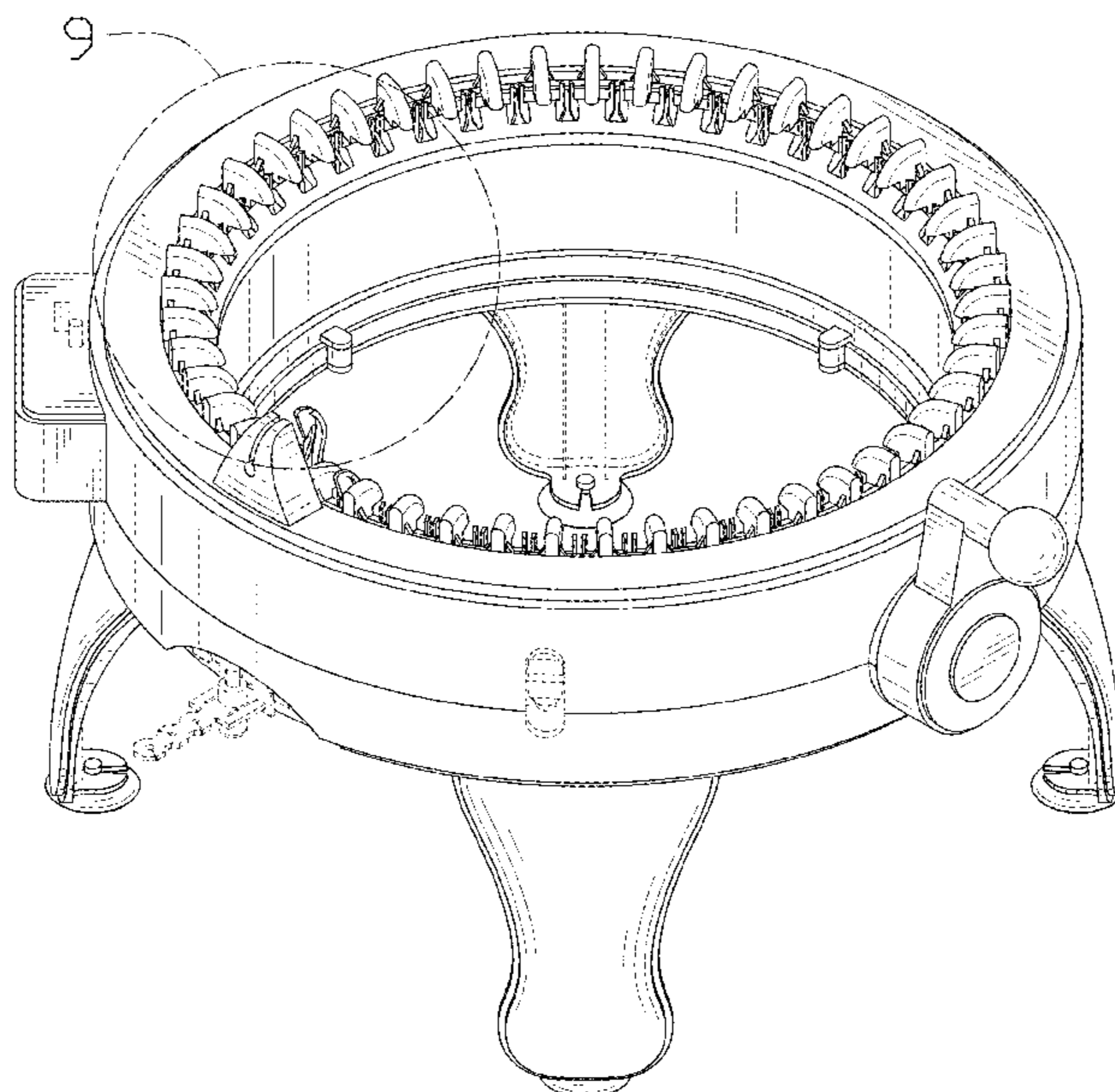
FIG. 1 is a perspective view of a knitting machine showing my new design;
FIG. 2 is another perspective view thereof;
FIG. 3 is a front elevational view thereof;
FIG. 4 is a rear elevational view thereof;
FIG. 5 is a left side elevational view thereof;
FIG. 6 is a right side elevational view thereof;
FIG. 7 is a top plan view thereof;
FIG. 8 is a bottom plan view thereof; and,
FIG. 9 is an enlarged view of portion 9 shown in FIG. 1.
The broken lines in the drawings depict portions of the knitting machine that form no part of the claimed design.

1 Claim, 9 Drawing Sheets

(56) **References Cited**

U.S. PATENT DOCUMENTS

434,528 A * 8/1890 Sedmihradsky D04B 13/00 66/105
513,157 A * 1/1894 Tompkins D04B 13/00 66/105
1,249,706 A * 12/1917 Zimmerman B25H 3/02 312/244
1,318,604 A * 10/1919 Schneider D04B 39/00 66/4
2,658,364 A * 11/1953 Carlson D04B 9/44 66/4
D182,269 S * 3/1958 Brown et al. D3/25
3,650,010 A * 3/1972 Powell, Jr. D04D 9/00 29/241
D246,244 S * 11/1977 Current D15/66



(56)

References Cited

U.S. PATENT DOCUMENTS

D891,485 S * 7/2020 Lonati D15/66
D893,554 S * 8/2020 Lonati D15/66
D895,691 S * 9/2020 Rosen D15/66
10,883,208 B2 * 1/2021 Novak D03D 29/00
2007/0270010 A1 * 11/2007 Walter D03D 29/00
439/259
2013/0285375 A1 * 10/2013 Crorey D04G 5/00
289/2
2014/0197636 A1 * 7/2014 Crorey A63H 33/3088
289/13
2015/0329999 A1 * 11/2015 Yu D04B 15/68
66/92
2016/0032500 A1 * 2/2016 Novak D04B 5/00
28/152

* cited by examiner

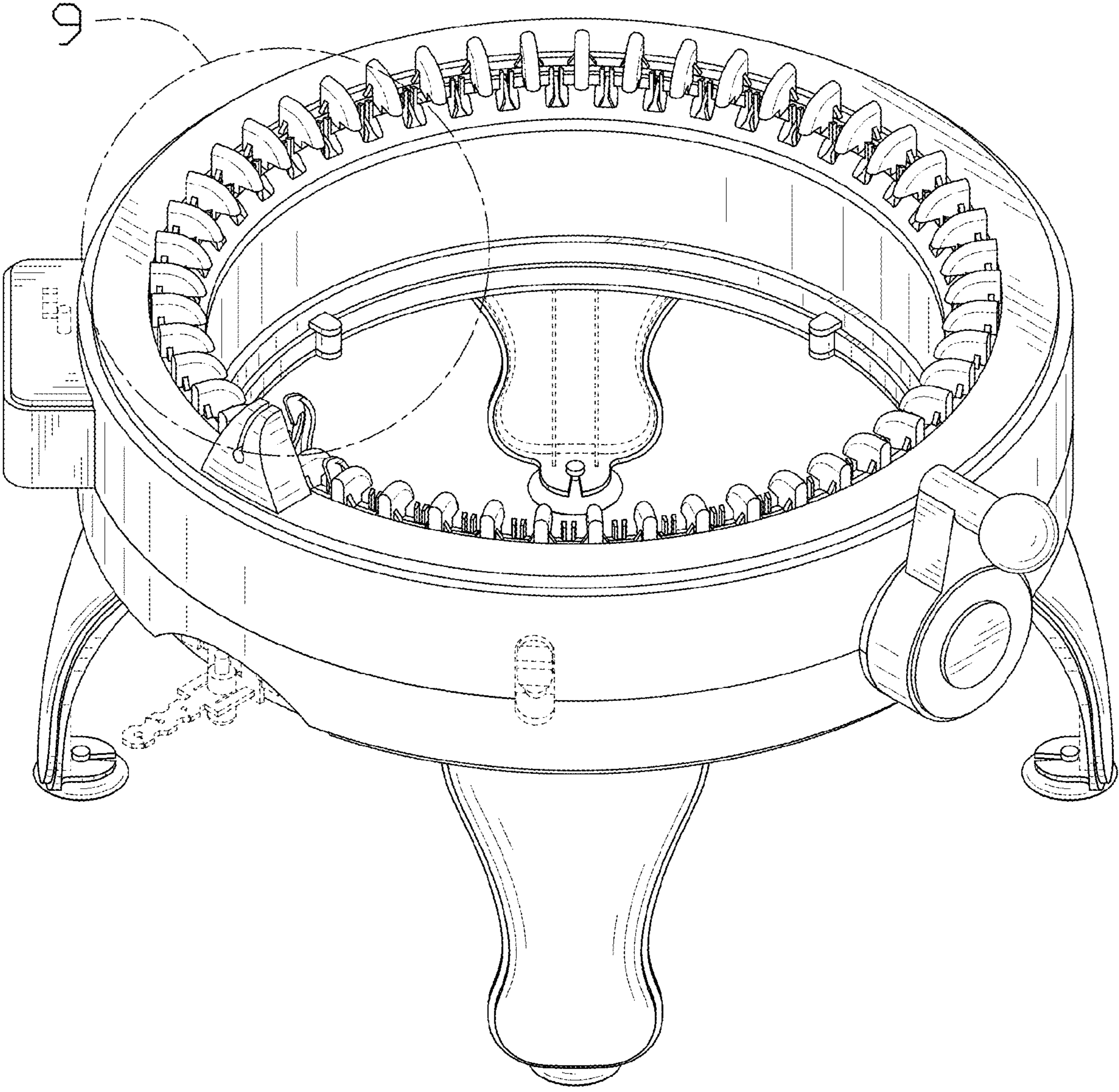


FIG. 1

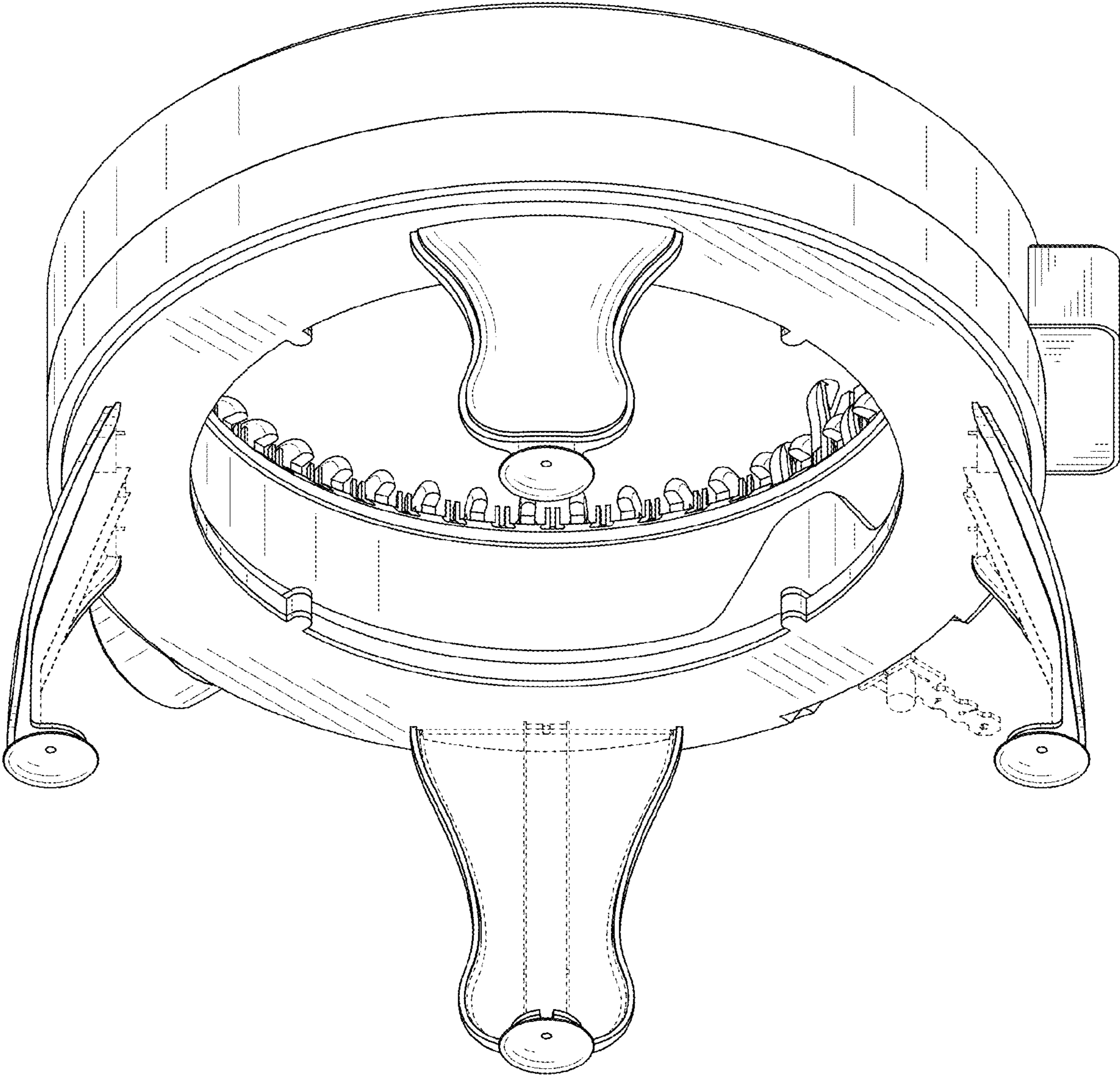


FIG. 2

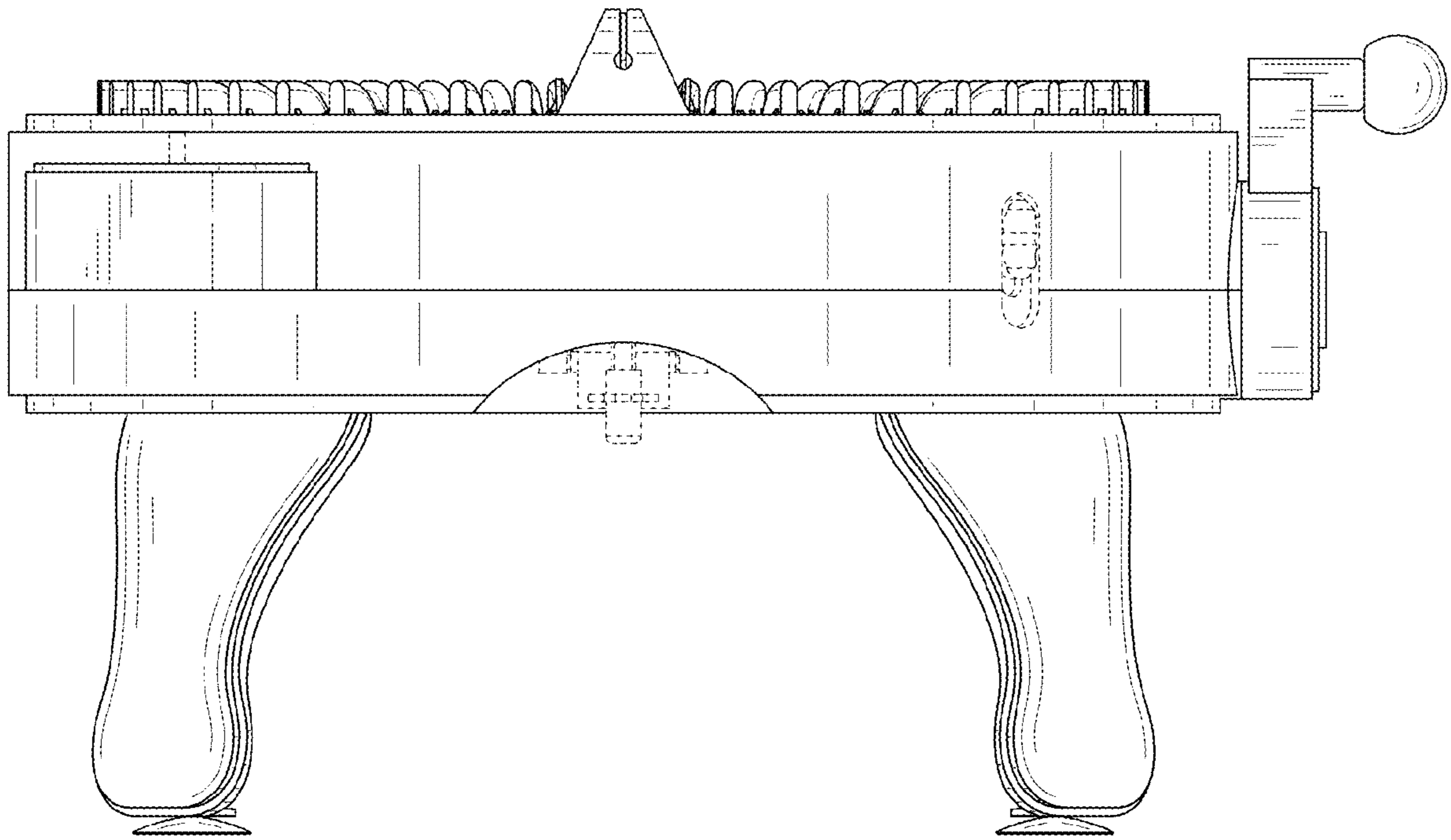


FIG. 3

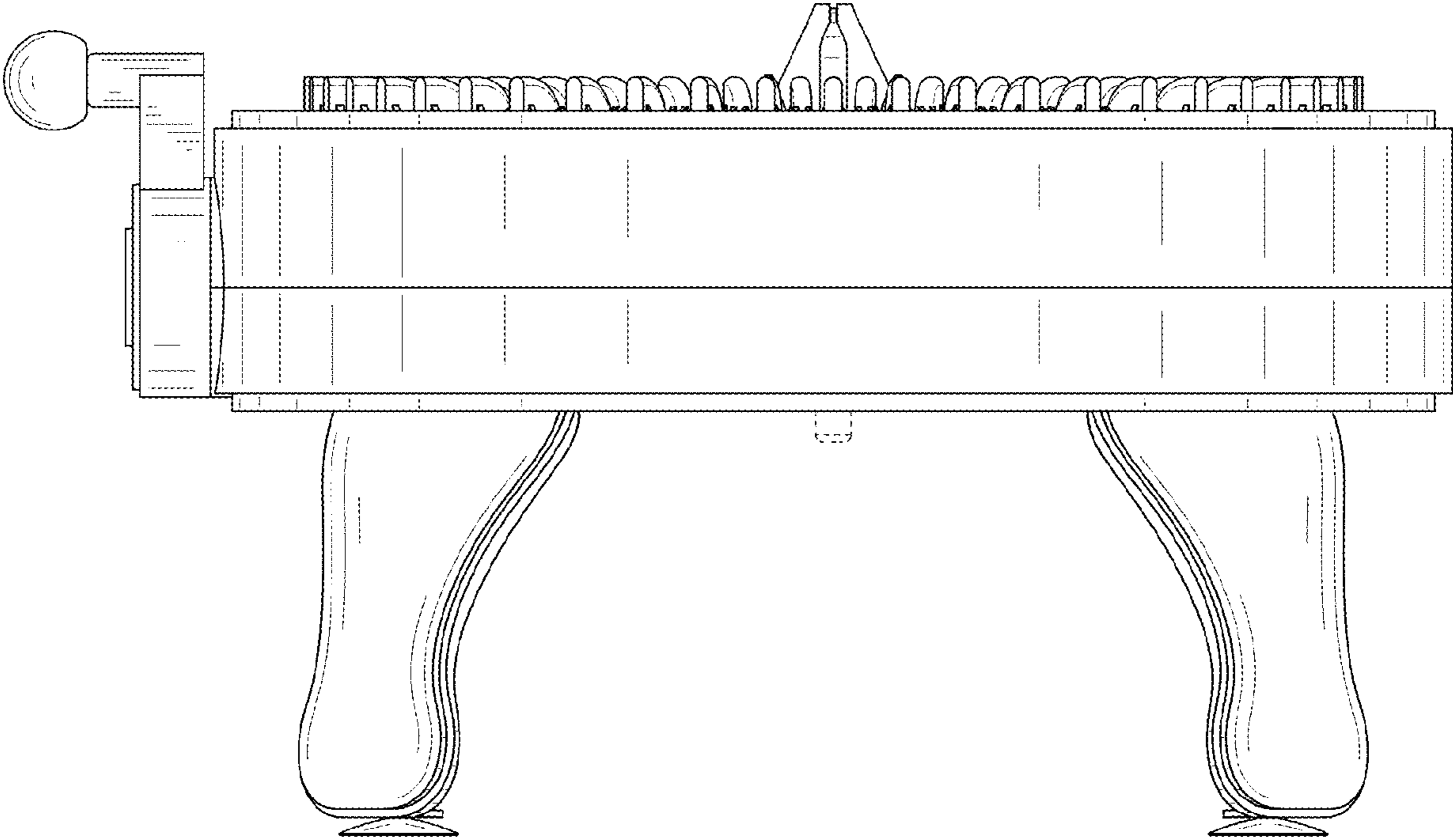


FIG. 4

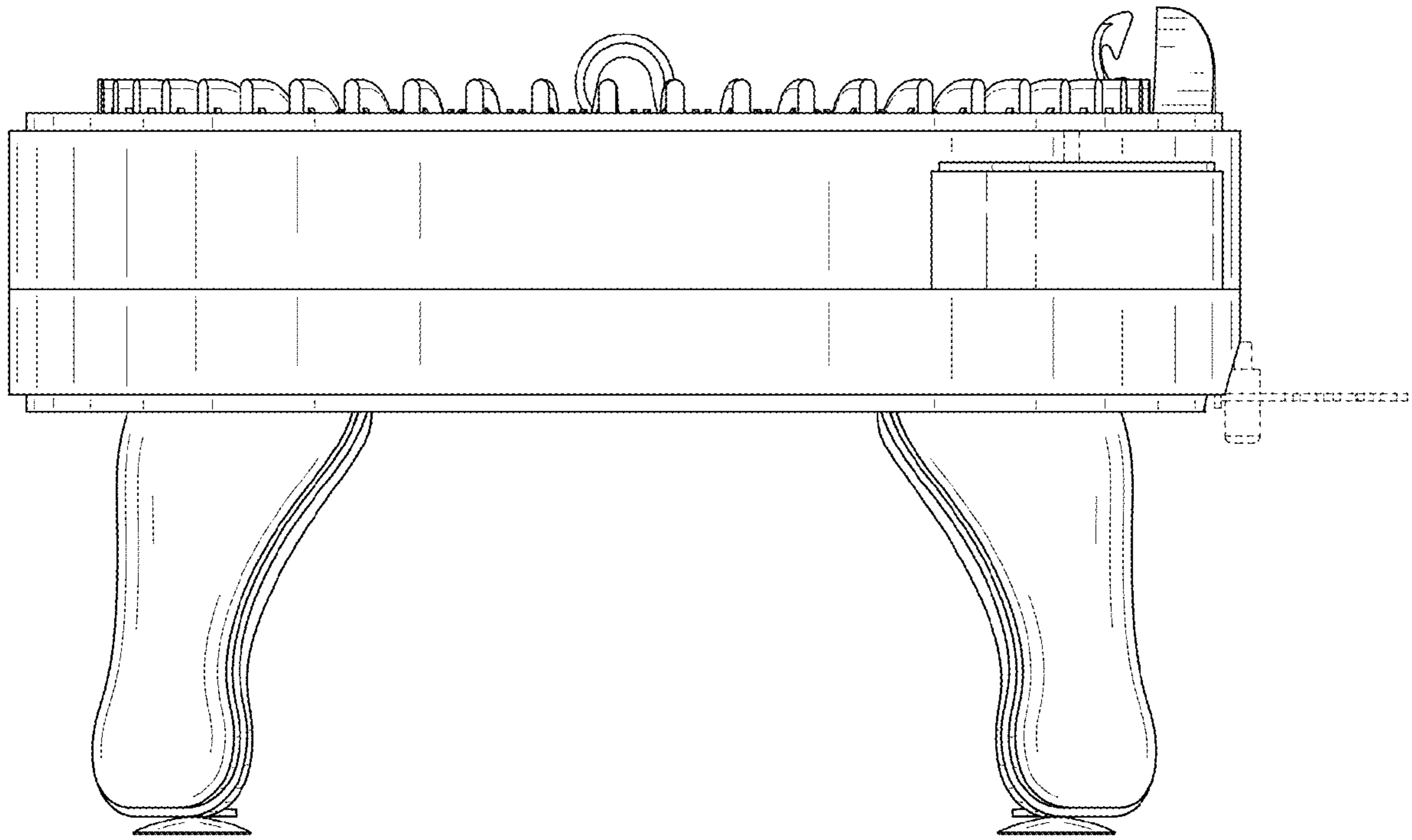


FIG. 5

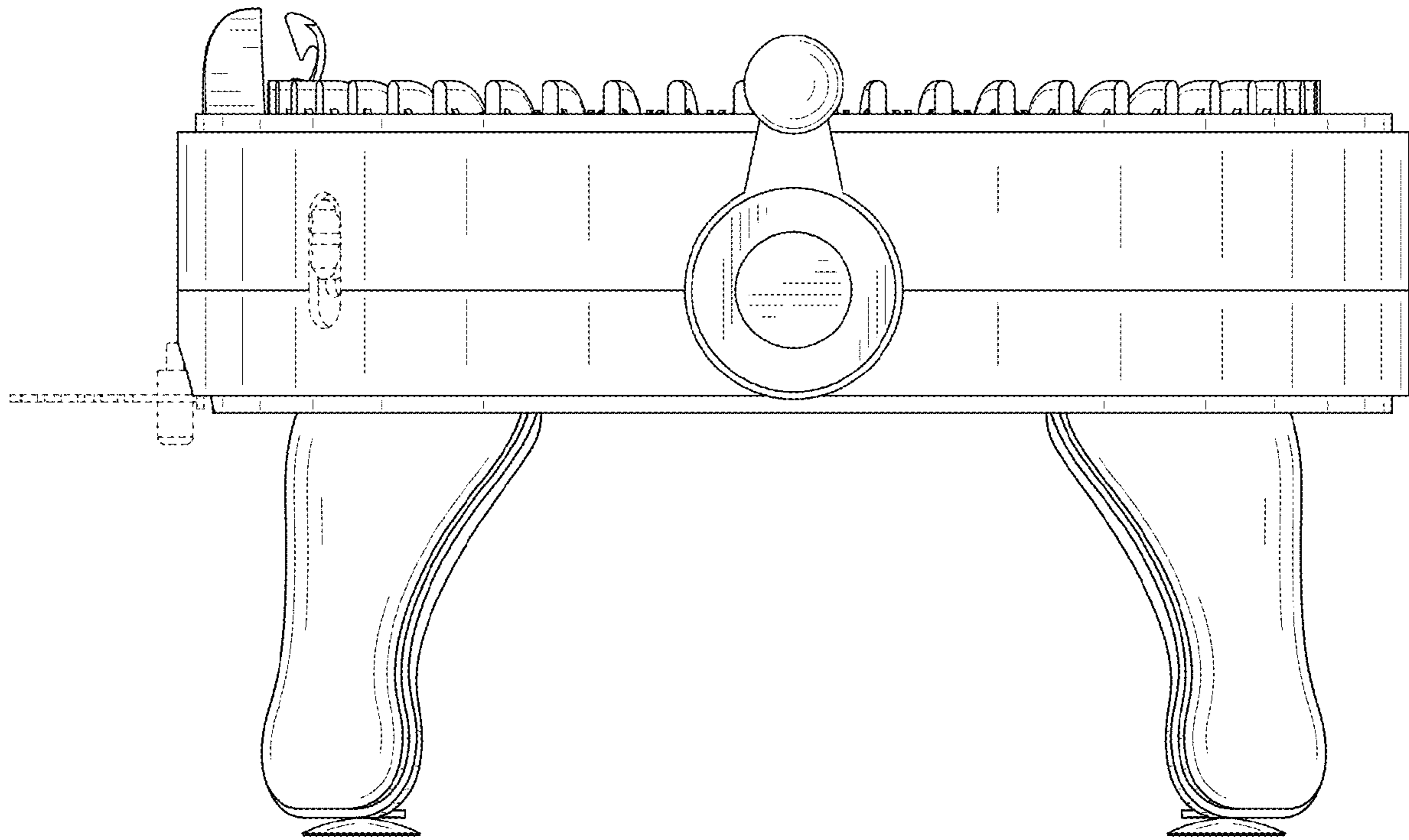


FIG. 6

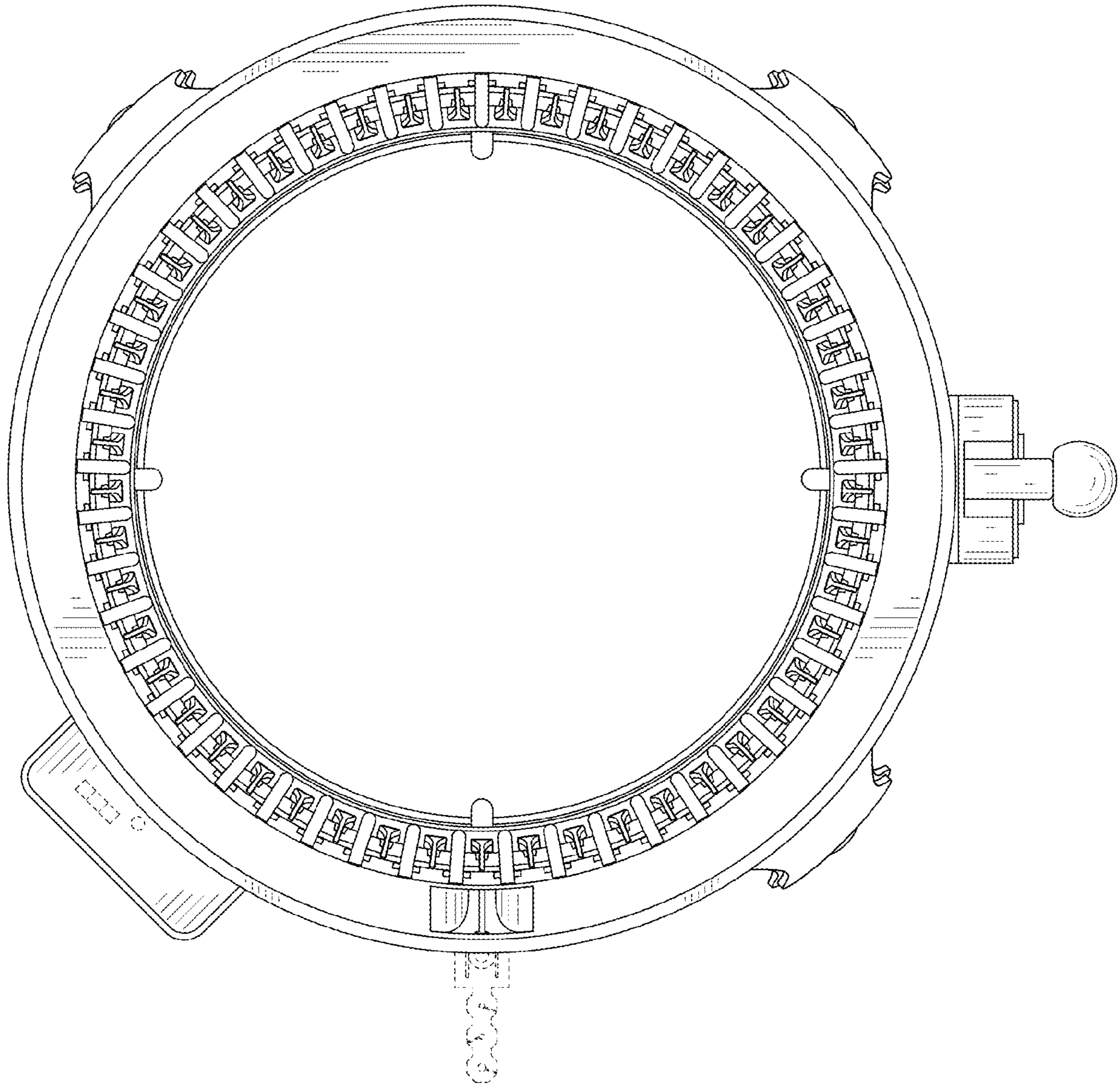


FIG. 7

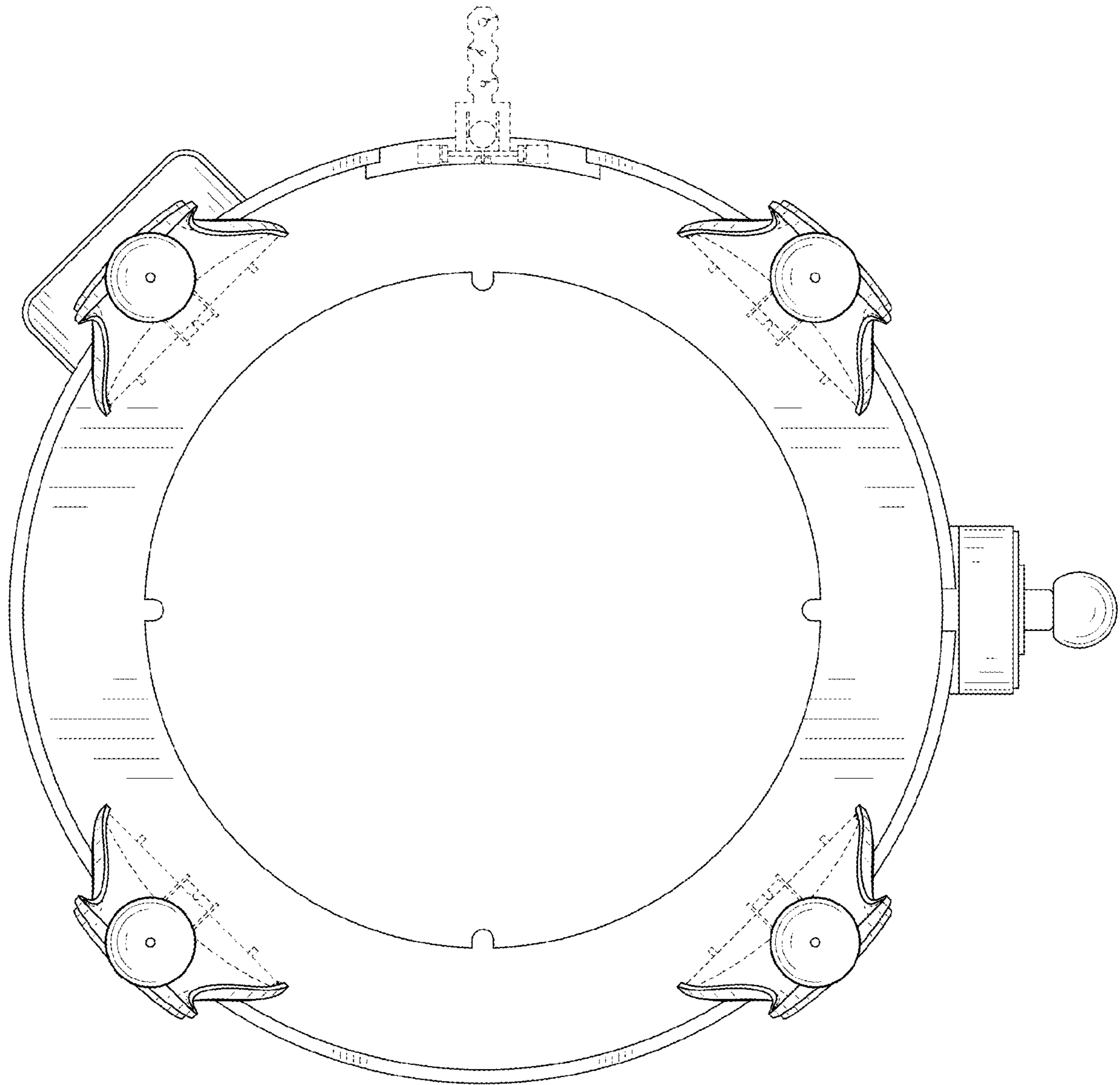


FIG. 8

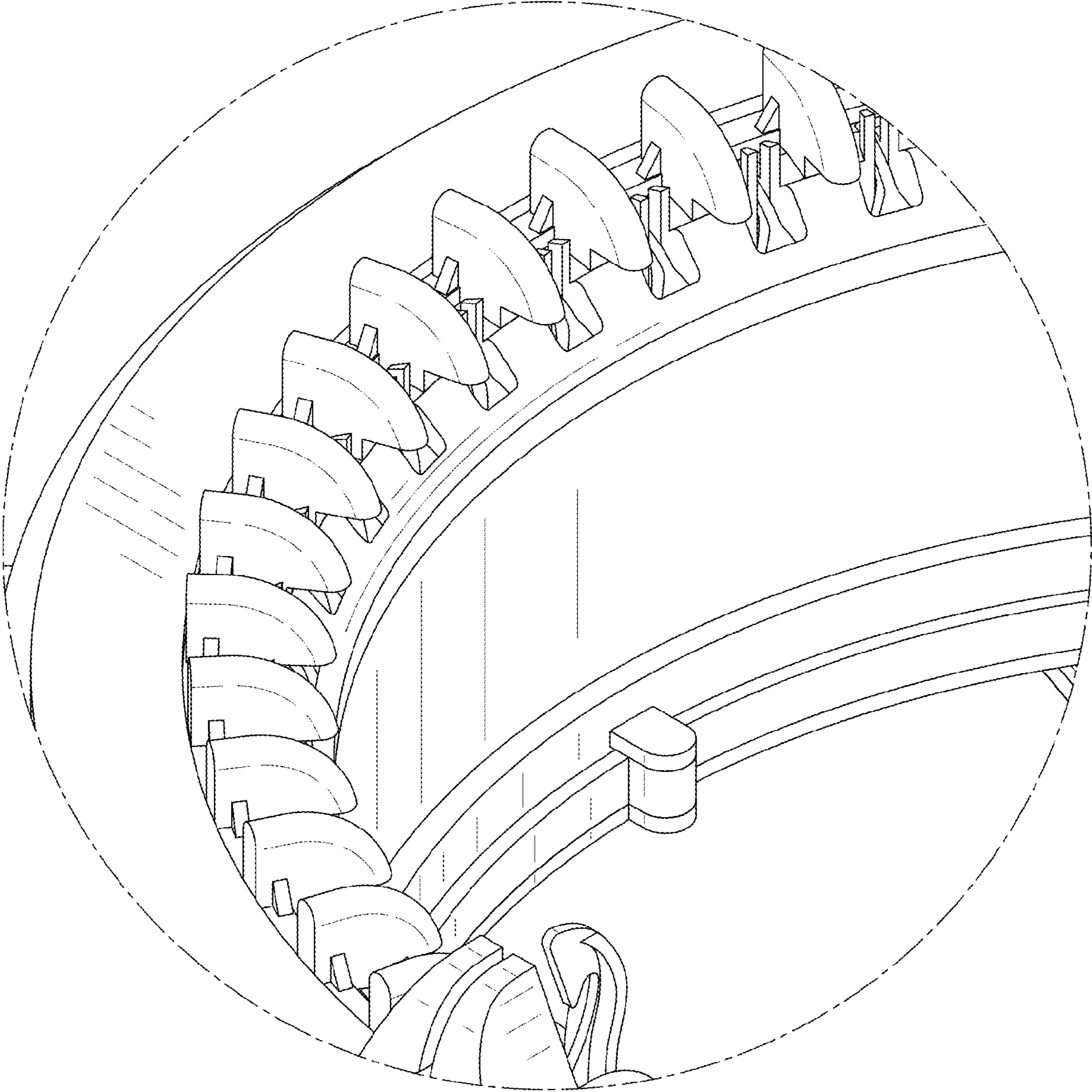


FIG. 9



US00D923063C1

(12) **EX PARTE REEXAMINATION CERTIFICATE** (12168th)
United States Patent
Zhang

(10) **Number:** **US D923,063 C1**
(45) **Certificate Issued:** **Nov. 15, 2022**

(54) **KNITTING MACHINE**

(71) Applicant: **SHENZHEN JIAMITE TRADING CO., LTD.**, Shenzhen (CN)

(72) Inventor: **Lirong Zhang**, Shenzhen (CN)

(73) Assignee: **SHENZHEN JIAMITE TRADING CO., LTD.**, Shenzhen (CN)

(52) **U.S. Cl.**
USPC **D15/66**

(58) **Field of Classification Search**
USPC D15/66, 67, 68
CPC D04B 13/00; D04B 13/02; D04B 9/00;
D04B 9/02; D04B 9/04; D04B 9/06;
D04B 9/10; D04B 9/12; D04B 5/00;
D04B 39/00; D03D 29/00; D04G 5/00
See application file for complete search history.

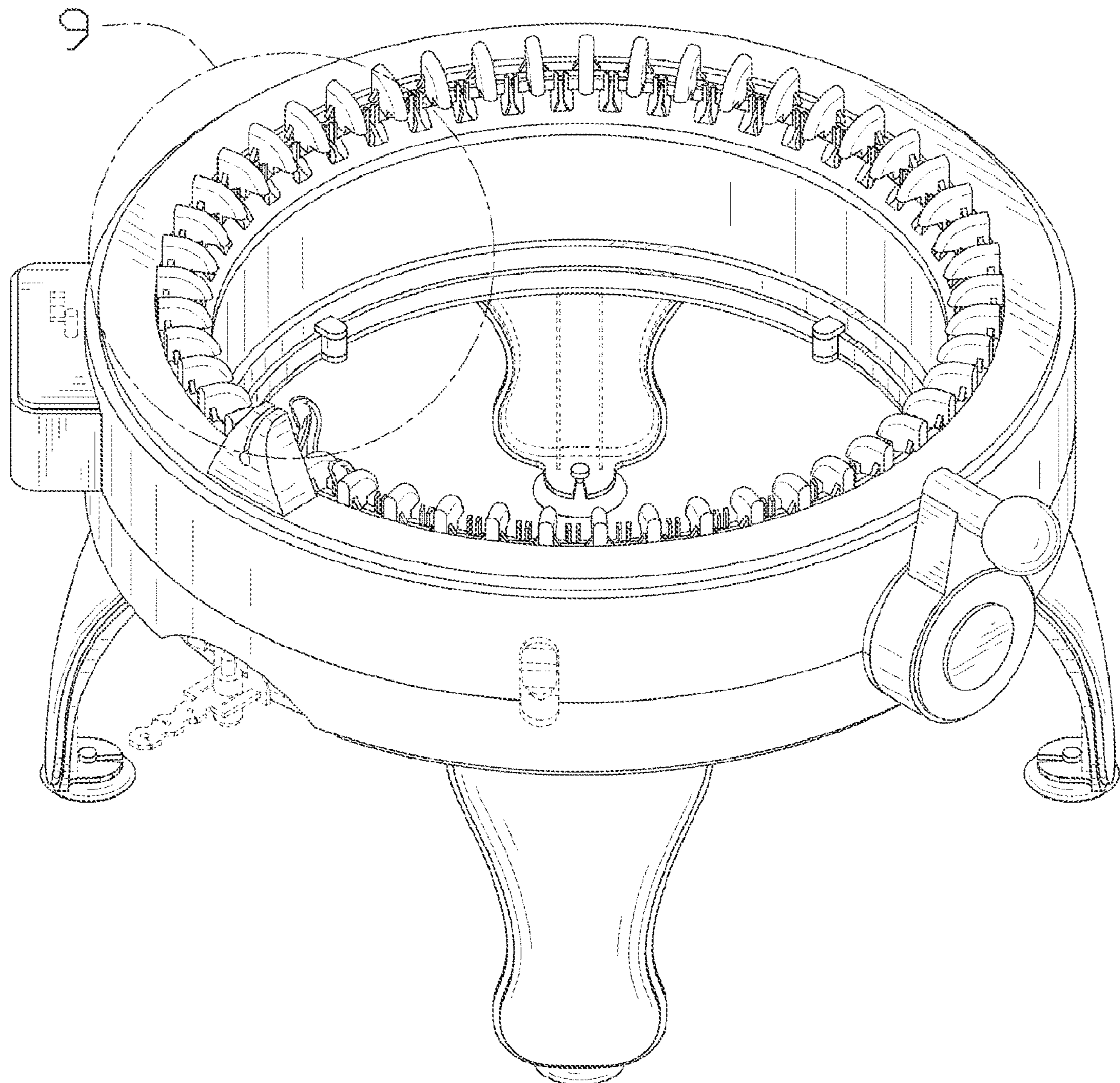
Reexamination Request:
No. 90/019,021, Sep. 30, 2021

Reexamination Certificate for:
Patent No.: **Des. 923,063**
Issued: **Jul. 22, 2021**
Appl. No.: **29/757,656**
Filed: **Nov. 9, 2020**

(56) **References Cited**

To view the complete listing of prior art documents cited during the proceeding for Reexamination Control Number 90/019,021, please refer to the USPTO's Patent Electronic System.

(51) **LOC (13) Cl.** **15-06** *Primary Examiner* — Philip S Hyder



1
EX PARTE
REEXAMINATION CERTIFICATE

THE PATENT IS HEREBY AMENDED AS
INDICATED BELOW.

5

AS A RESULT OF REEXAMINATION, IT HAS BEEN
DETERMINED THAT:

The Claim 1 is cancelled.

10

* * * * *