



US00D923062S

(12) **United States Design Patent**
Park

(10) **Patent No.:** **US D923,062 S**

(45) **Date of Patent:** **** Jun. 22, 2021**

(54) **FRONT END LOADER OF TRACTOR**

(71) Applicant: **HANKUK CHAIN INDUSTRIAL CO., LTD.**, Anseong-si (KR)

(72) Inventor: **Sang Ji Park**, Jeonju-si (KR)

(73) Assignee: **HANKUK CHAIN INDUSTRIAL CO., LTD.**, Anseong-si (KR)

(**) Term: **15 Years**

(21) Appl. No.: **29/725,742**

(22) Filed: **Feb. 26, 2020**

(30) **Foreign Application Priority Data**

Feb. 20, 2020 (KR) 30-2020-0007497

(51) **LOC (13) Cl.** **15-03**

(52) **U.S. Cl.**
USPC **D15/32**

(58) **Field of Classification Search**
USPC D15/10, 22-26, 28, 29, 32
CPC E02F 3/34; E02F 3/28; E02F 3/30; E02F 3/6273; E02F 3/627; E02F 3/432; E02F 3/422; E02F 3/3408; E02F 3/382; E02F 3/38; E02F 9/2275
See application file for complete search history.

(56) **References Cited**

U.S. PATENT DOCUMENTS

- 4,538,955 A * 9/1985 Langenfeld E02F 3/34 414/686
- 4,576,543 A * 3/1986 Kuchyt A01D 87/0069 414/685
- 5,611,657 A * 3/1997 Peterson E02F 3/38 414/686
- D412,913 S * 8/1999 Sasaki D15/32
- D451,105 S * 11/2001 Masumoto D15/28

- D528,569 S * 9/2006 Nilsson D15/32
- D533,883 S * 12/2006 Higashikawa D15/32
- D538,829 S * 3/2007 Nilsson D15/28
- D584,749 S * 1/2009 Smith D15/28
- D595,746 S * 7/2009 Iida D15/28
- D610,172 S * 2/2010 Yukino D15/32
- D646,306 S * 10/2011 Bradley D15/32
- D654,514 S * 2/2012 Jamieson D15/28
- D656,164 S * 3/2012 Nilsson D15/32
- D656,523 S * 3/2012 Nilsson D15/32
- D672,372 S * 12/2012 Nilsson D15/32
- D672,373 S * 12/2012 Nilsson D15/32
- D739,446 S * 9/2015 Nilsson D15/32
- D768,731 S * 10/2016 Esqueda D15/32
- D769,335 S * 10/2016 Esqueda D15/32
- D788,184 S * 5/2017 Okuyama D15/32
- D807,407 S * 1/2018 Takagi D15/32
- D832,895 S * 11/2018 Dekker D15/32
- 10,662,609 B2 * 5/2020 Hallale E02F 3/38

(Continued)

Primary Examiner — Mark A Goodwin

(74) *Attorney, Agent, or Firm* — Revolution IP, PLLC

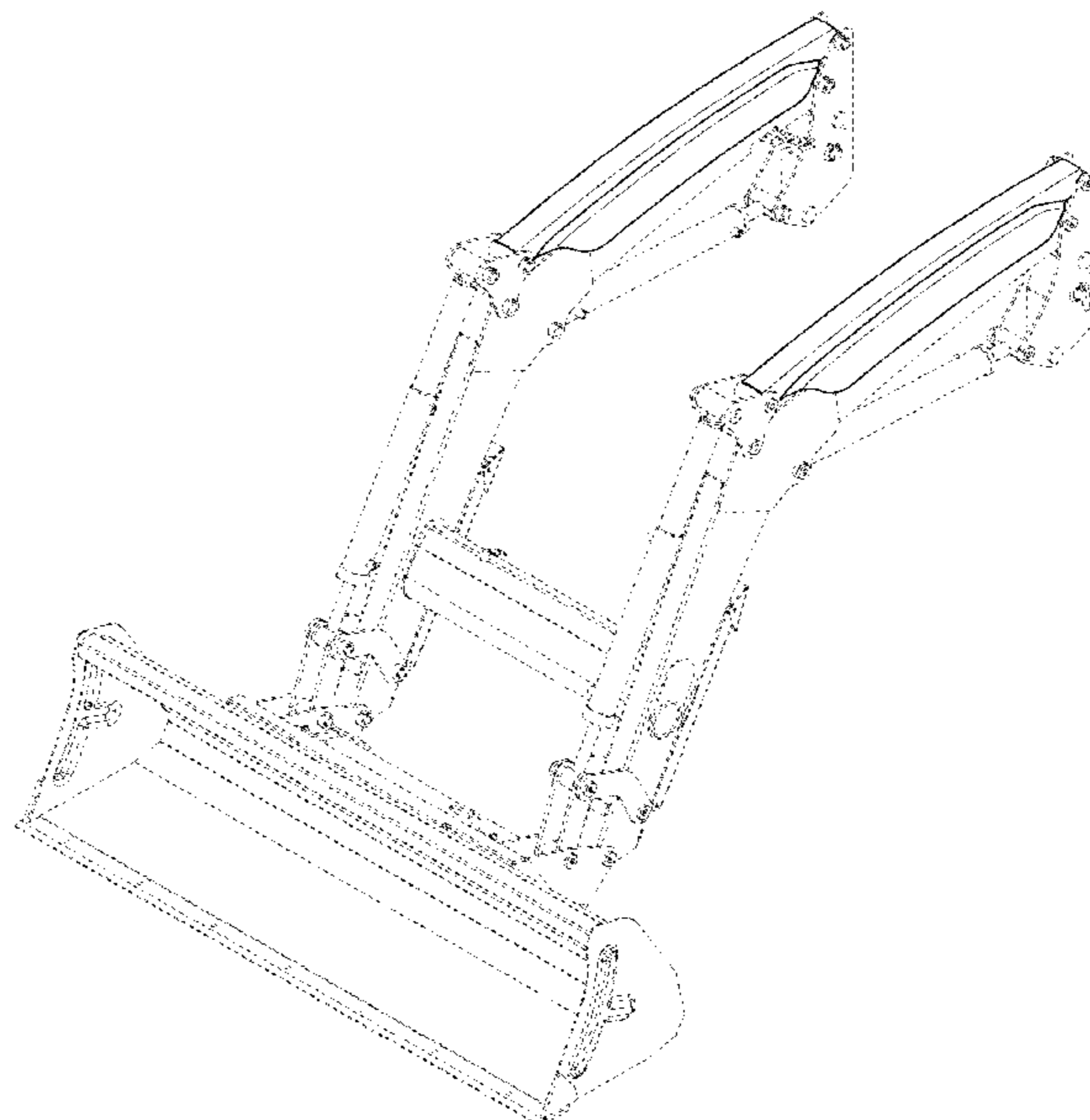
(57) **CLAIM**

The ornamental design for a front end loader of tractor, as shown and described.

DESCRIPTION

FIG. 1 is a perspective view of a front end loader of tractor showing the claimed design;
 FIG. 2 is a front view thereof;
 FIG. 3 is a rear view thereof;
 FIG. 4 is a right side view thereof;
 FIG. 5 is a left side view thereof;
 FIG. 6 is a top view thereof;
 FIG. 7 is a bottom view thereof; and,
 FIG. 8 is another perspective view of the front end loader of tractor attached to the tractor.
 The broken lines are for illustrative purposes only and form no part of the claimed design.

1 Claim, 8 Drawing Sheets



(56)

References Cited

U.S. PATENT DOCUMENTS

2003/0118432 A1* 6/2003 Lee E02F 3/38
414/722
2003/0126772 A1* 7/2003 Masumoto E02F 3/38
37/466
2004/0042888 A1* 3/2004 Westendorf E02F 3/627
414/723
2006/0245899 A1* 11/2006 Lyons E02F 3/6273
414/686
2007/0031233 A1* 2/2007 Frey E02F 3/422
414/685
2007/0292255 A1* 12/2007 Nilsson E02F 3/34
414/686
2008/0063502 A1* 3/2008 Nilsson E02F 3/34
414/685
2015/0090850 A1* 4/2015 Maini B66C 23/68
248/284.1

* cited by examiner

FIG. 1

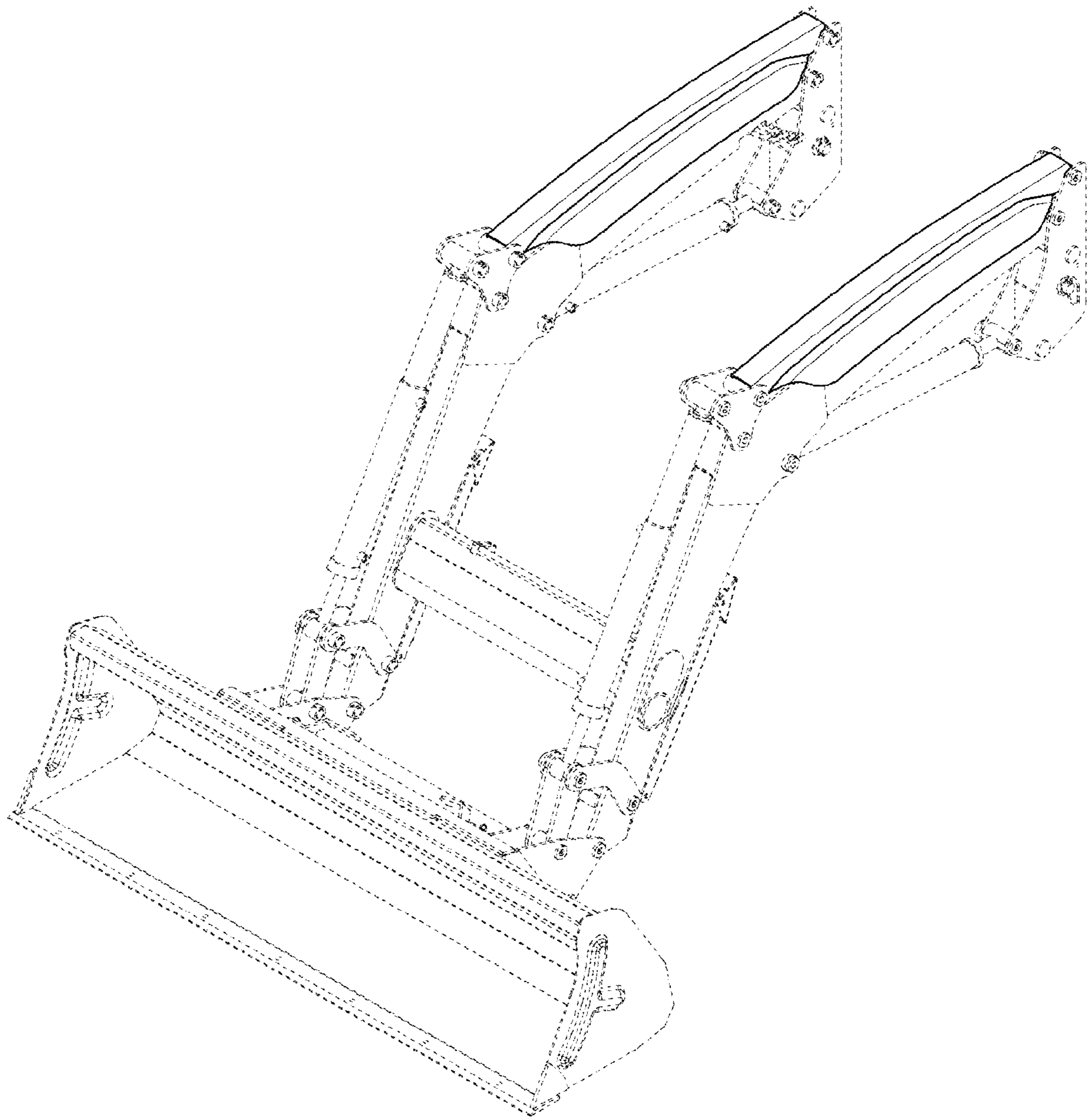


FIG. 2

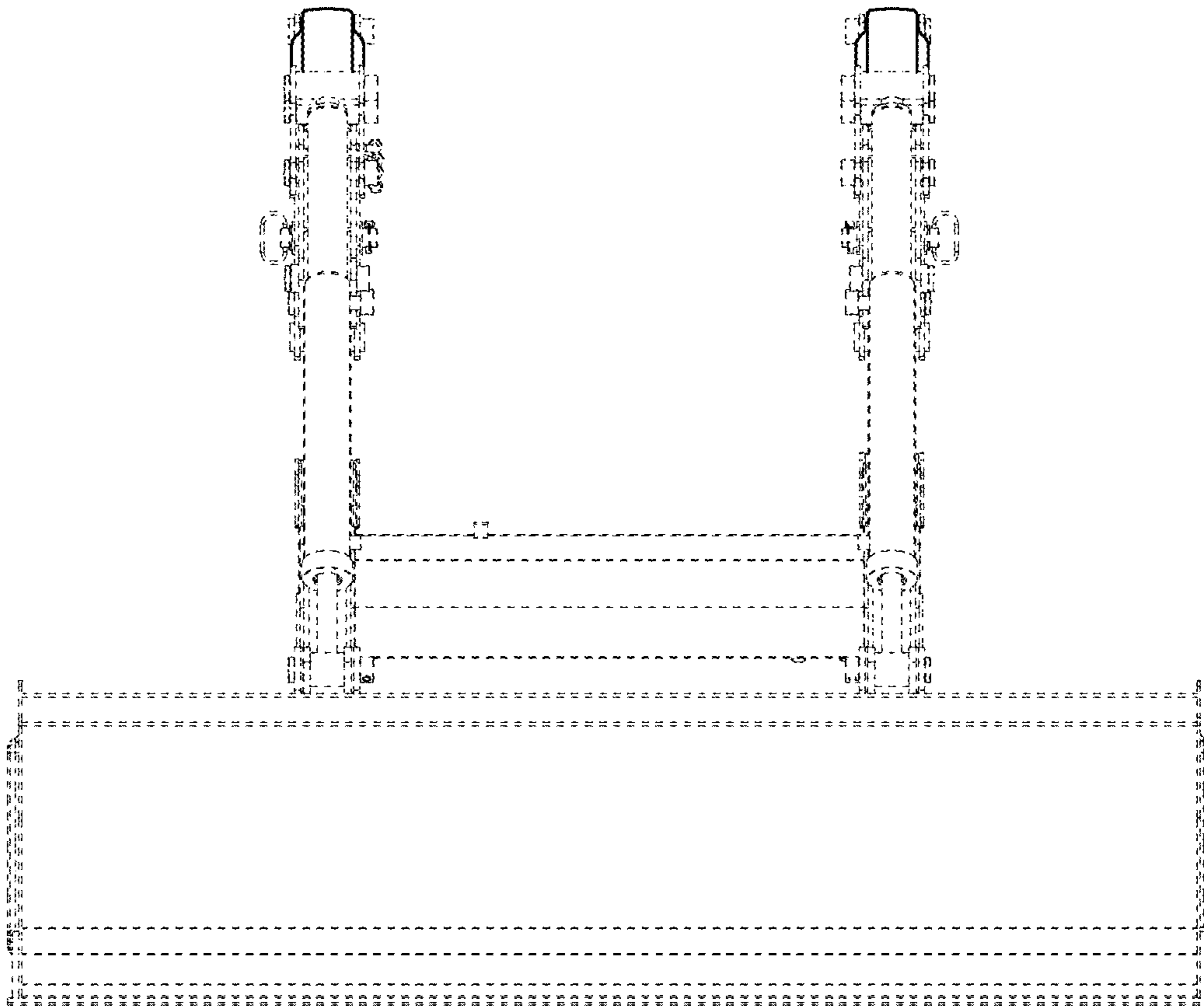


FIG. 3

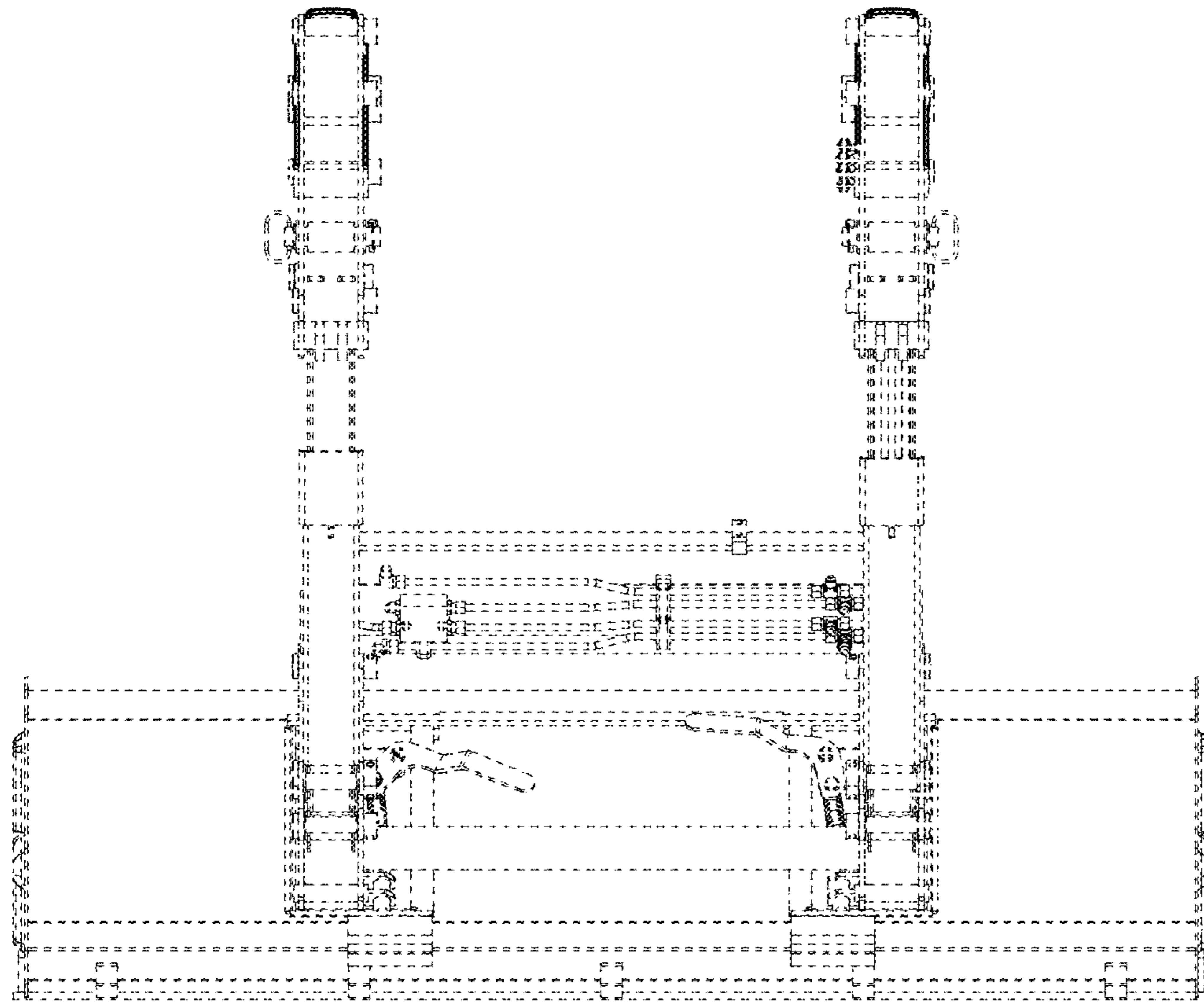


FIG. 4

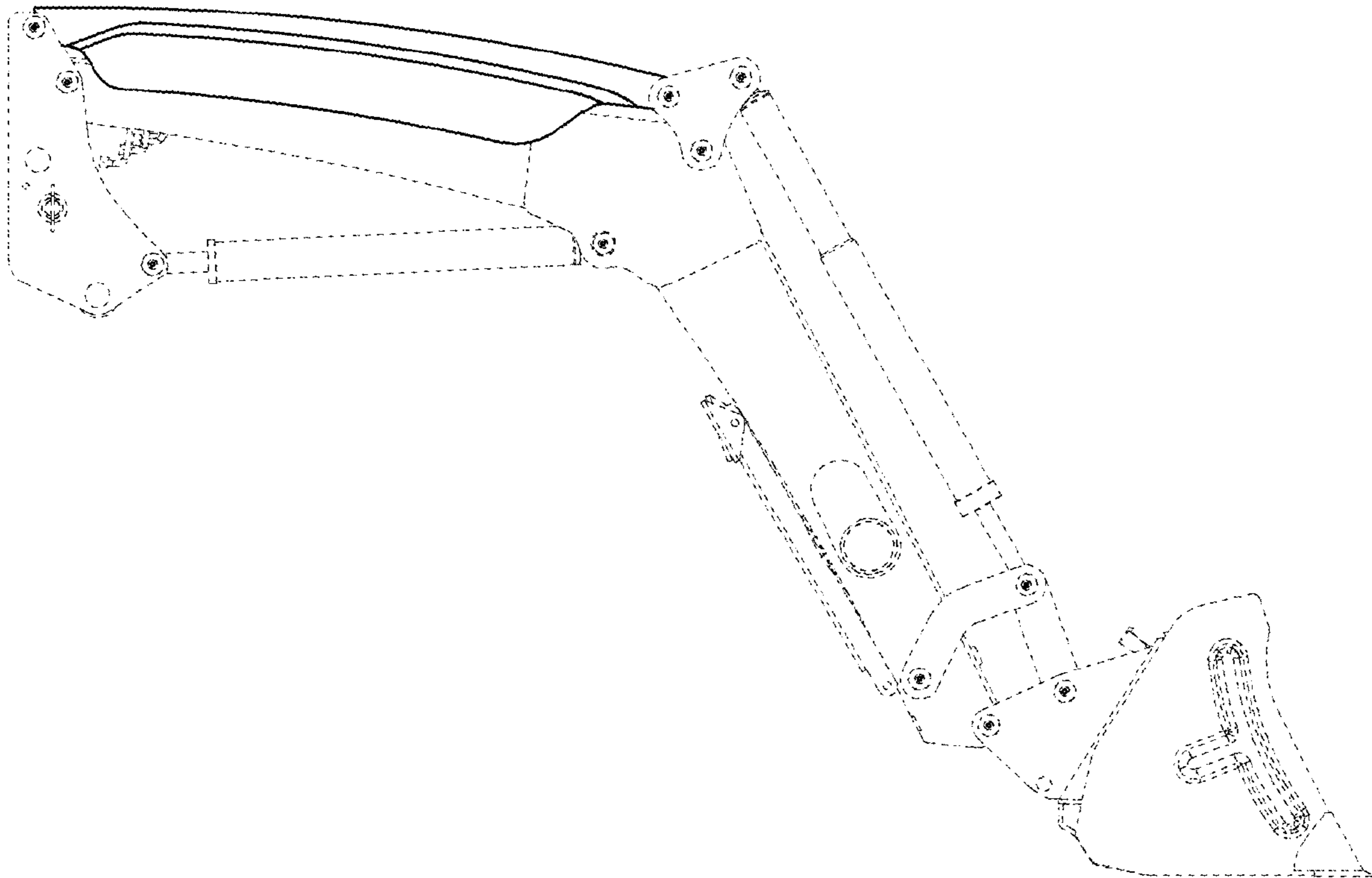


FIG. 5

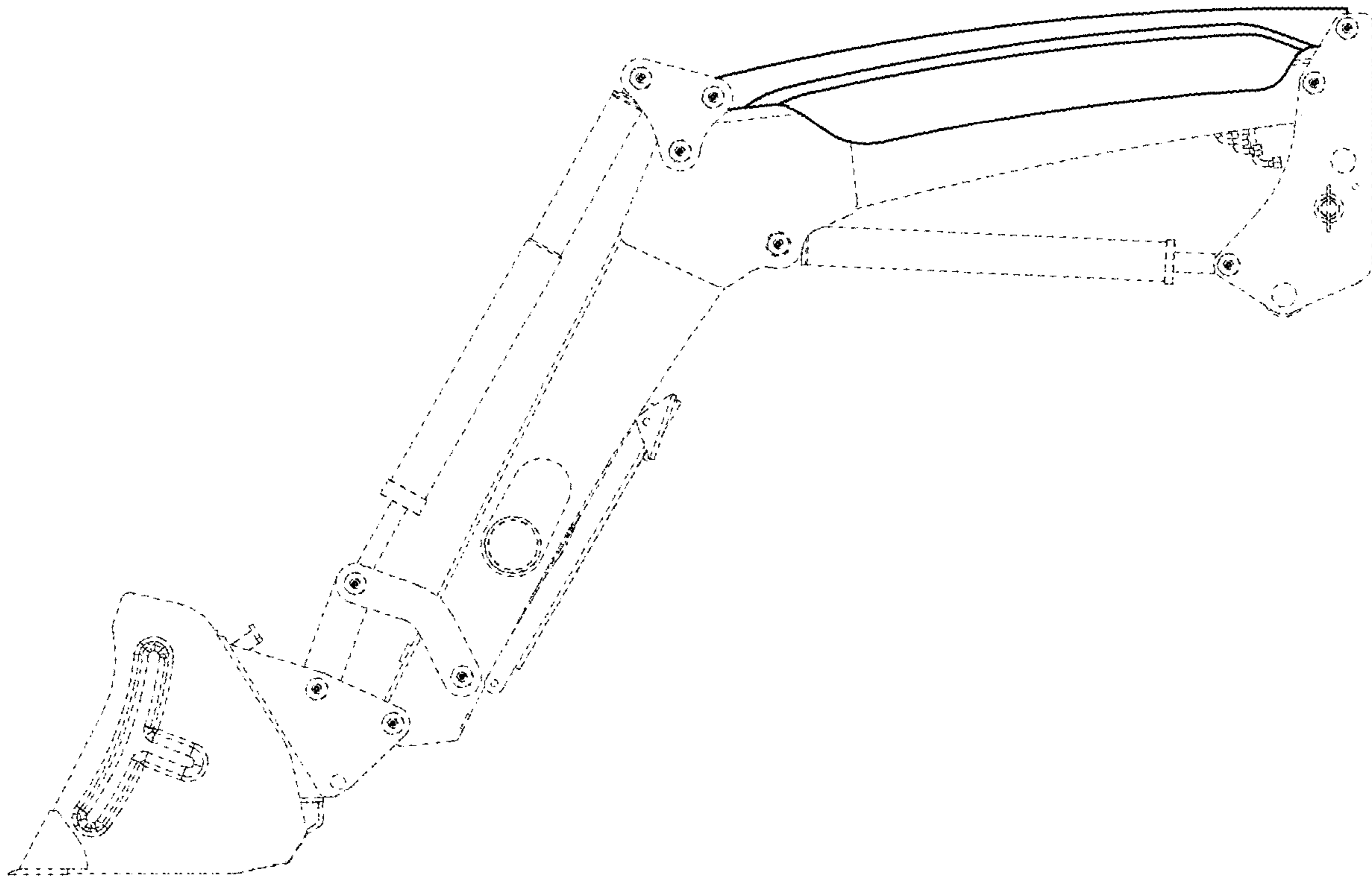


FIG. 6

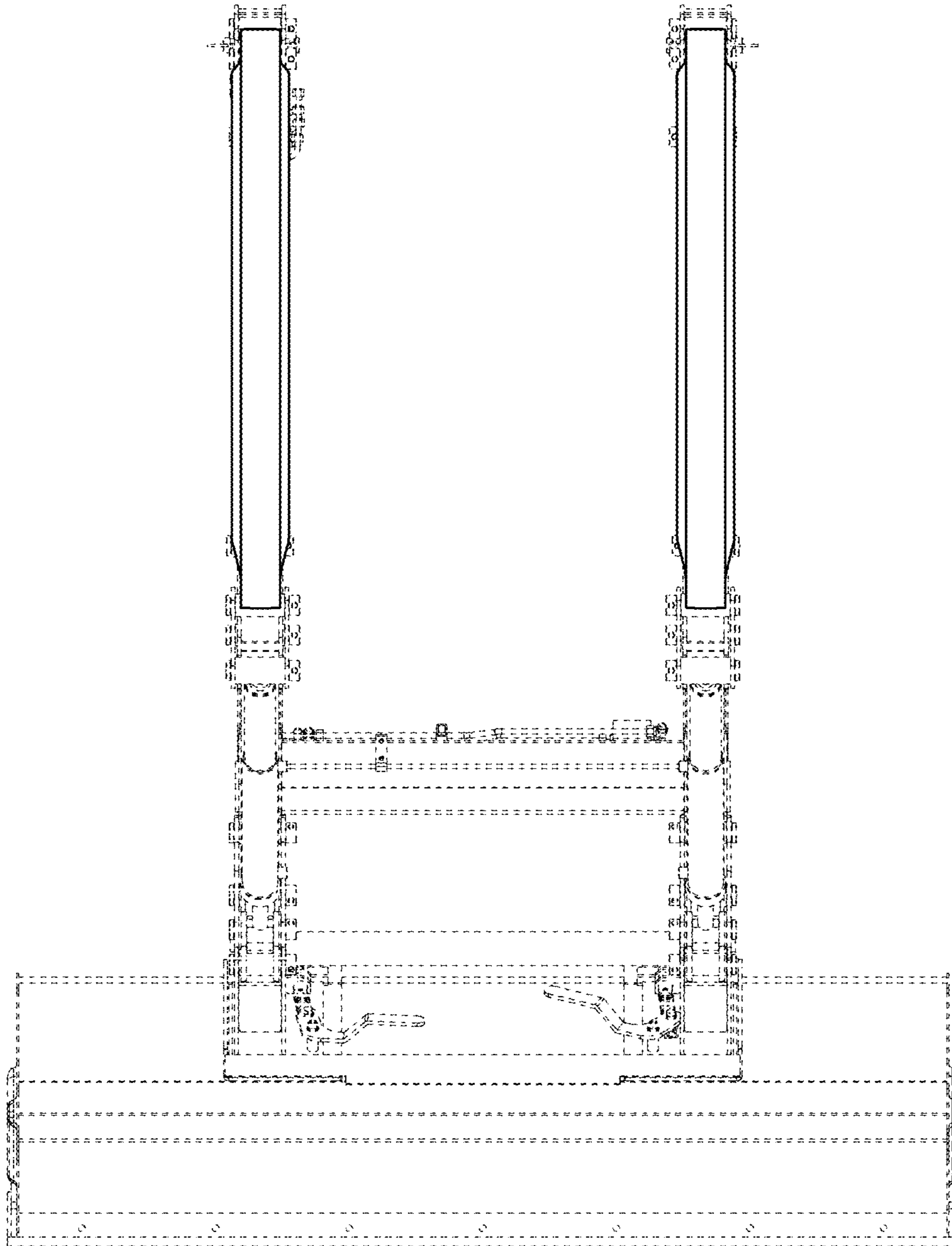


FIG. 7

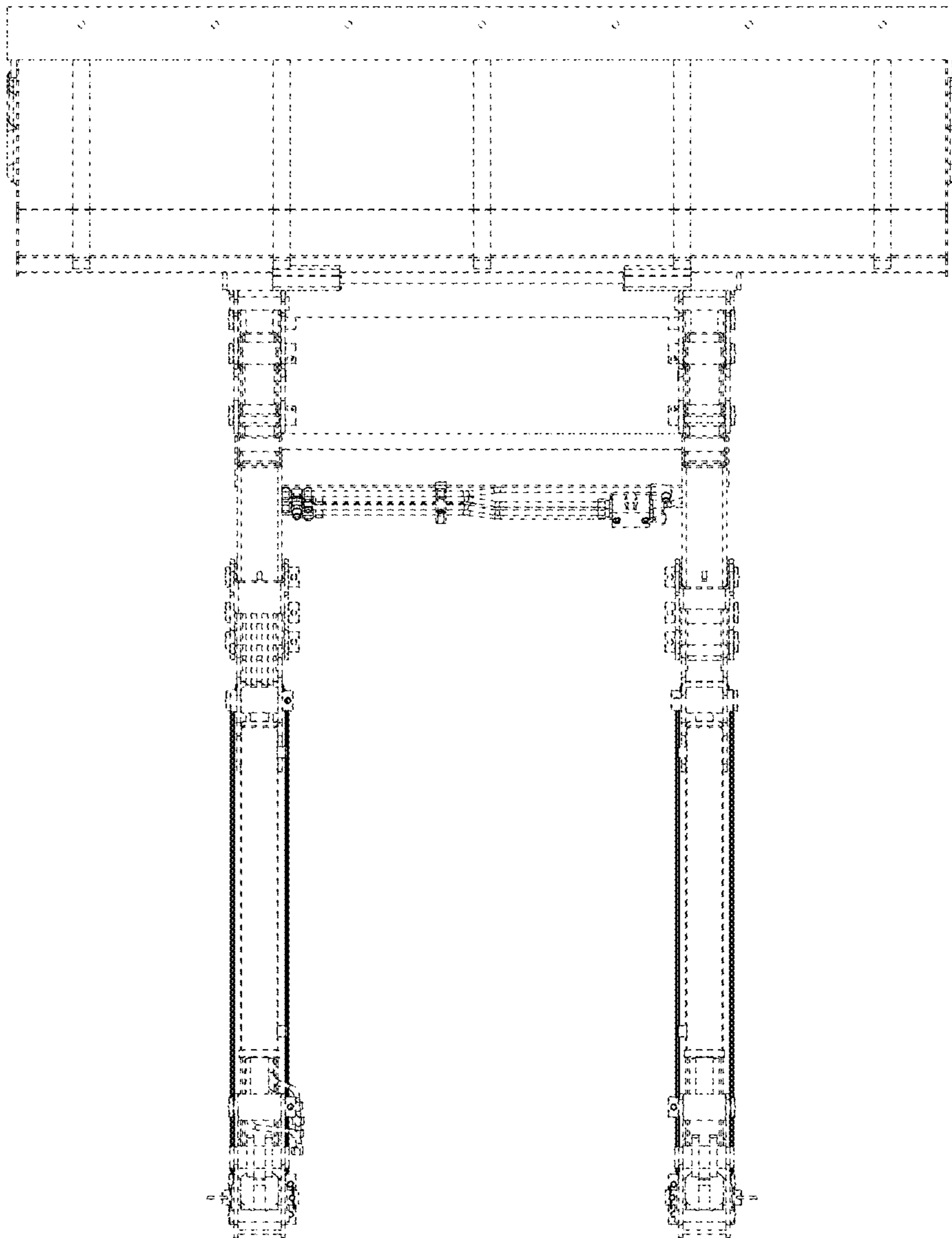


FIG. 8

