



US00D923061S

(12) **United States Design Patent**
Leeb

(10) **Patent No.:** **US D923,061 S**
(45) **Date of Patent:** **** Jun. 22, 2021**

- (54) **AGRICULTURAL MACHINE**
- (71) Applicant: **HORSCH LEEB Application Systems GmbH**, Landau an der Isar (DE)
- (72) Inventor: **Theodor Leeb**, Landau an der Isar (DE)
- (73) Assignee: **HORSCH LEEB Application Systems GmbH**, Landau an der Isar (DE)
- (**) Term: **15 Years**
- (21) Appl. No.: **29/723,407**
- (22) Filed: **Feb. 6, 2020**
- (30) **Foreign Application Priority Data**

- 4,886,208 A * 12/1989 Strand A01C 15/04
239/77
- D309,738 S * 8/1990 Schober D15/26
- D355,919 S * 2/1995 Larson D15/13
- 6,131,821 A * 10/2000 Nejsum A01M 7/0053
239/168
- 6,708,631 B1 * 3/2004 McQuinn A01C 7/081
111/174
- 7,063,273 B2 * 6/2006 Hahn A01M 7/0064
239/159
- D566,138 S * 4/2008 Forkert D15/27
- D797,813 S * 9/2017 Budde D15/26
- 9,832,925 B2 12/2017 Leeb
- D813,914 S * 3/2018 Horsch D15/27
- D813,915 S * 3/2018 Horsch D15/27
- D838,295 S * 1/2019 Schwalbe D15/26

(Continued)

Primary Examiner — Mark A Goodwin
(74) *Attorney, Agent, or Firm* — Erickson Kernell IP, LLC; Kent R. Erickson

- Oct. 25, 2019 (EM) 007108253-0001
- (51) **LOC (13) Cl.** **15-03**
- (52) **U.S. Cl.**
USPC **D15/26**
- (58) **Field of Classification Search**
USPC D15/10-12, 22-26, 28; 56/14.5-14.7,
56/16.6, 122-125; 296/190, 191;
460/83, 119; 180/89.1, 89.12
CPC A01B 73/00; A01D 75/00; A01D 41/06;
A01D 41/1208; A01D 41/00; A01D
67/00; A01D 45/00; A01D 45/02; A01D
45/021; A01D 43/081
See application file for complete search history.

(57) **CLAIM**

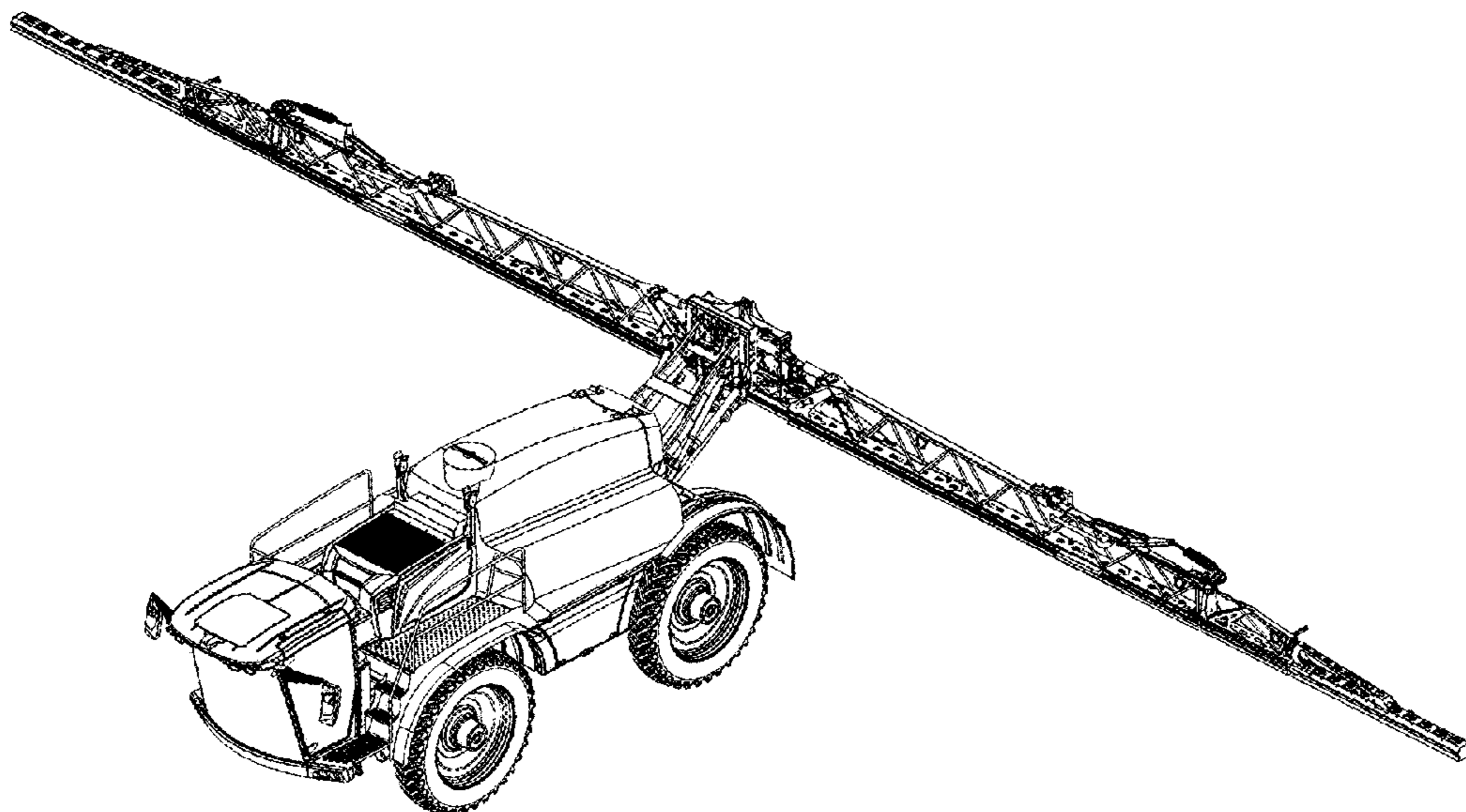
The ornamental design for an agricultural machine, as shown and described.

DESCRIPTION

FIG. 1 is a perspective view of an agricultural machine with spray booms, each in an unfolded position;
FIG. 2 is a left side elevational view of the agricultural machine as in FIG. 1;
FIG. 3 is a right side elevational view of the agricultural machine as in FIG. 1;
FIG. 4 is a front elevational view of the agricultural machine as in FIG. 1;
FIG. 5 is a rear elevational view of the agricultural machine as in FIG. 1;
FIG. 6 is a top plan view of the agricultural machine as in FIG. 1; and,
FIG. 7 is a bottom plan view of the agricultural machine as in FIG. 1.

1 Claim, 6 Drawing Sheets

- (56) **References Cited**
U.S. PATENT DOCUMENTS
2,610,076 A * 9/1952 Walsh A01M 7/0053
403/91
3,887,132 A * 6/1975 Widmer A01M 7/00
239/166
4,011,914 A * 3/1977 Elmer A01B 69/024
172/126



(56)

References Cited

U.S. PATENT DOCUMENTS

10,238,098	B2 *	3/2019	Leeb	A01C 23/007
10,244,747	B2	4/2019	Leeb et al.	
10,244,748	B2	4/2019	Leeb	
10,470,361	B2	11/2019	Leeb et al.	
D892,175	S *	8/2020	Leeb	D15/26
2006/0144970	A1 *	7/2006	Hagie	A01M 7/0042 239/664
2011/0147497	A1 *	6/2011	Hiddema	A01M 7/0014 239/722

* cited by examiner

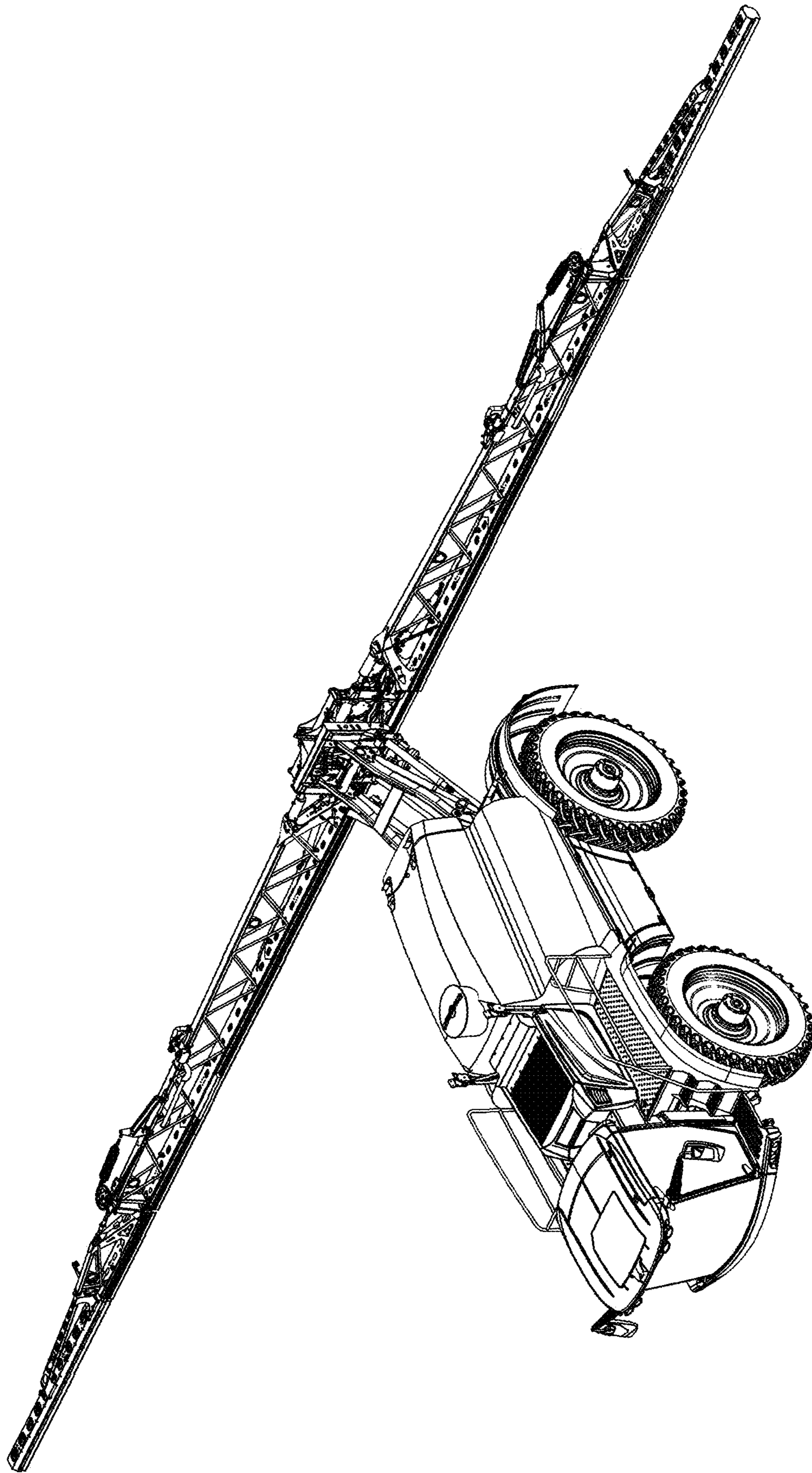


Fig. 1

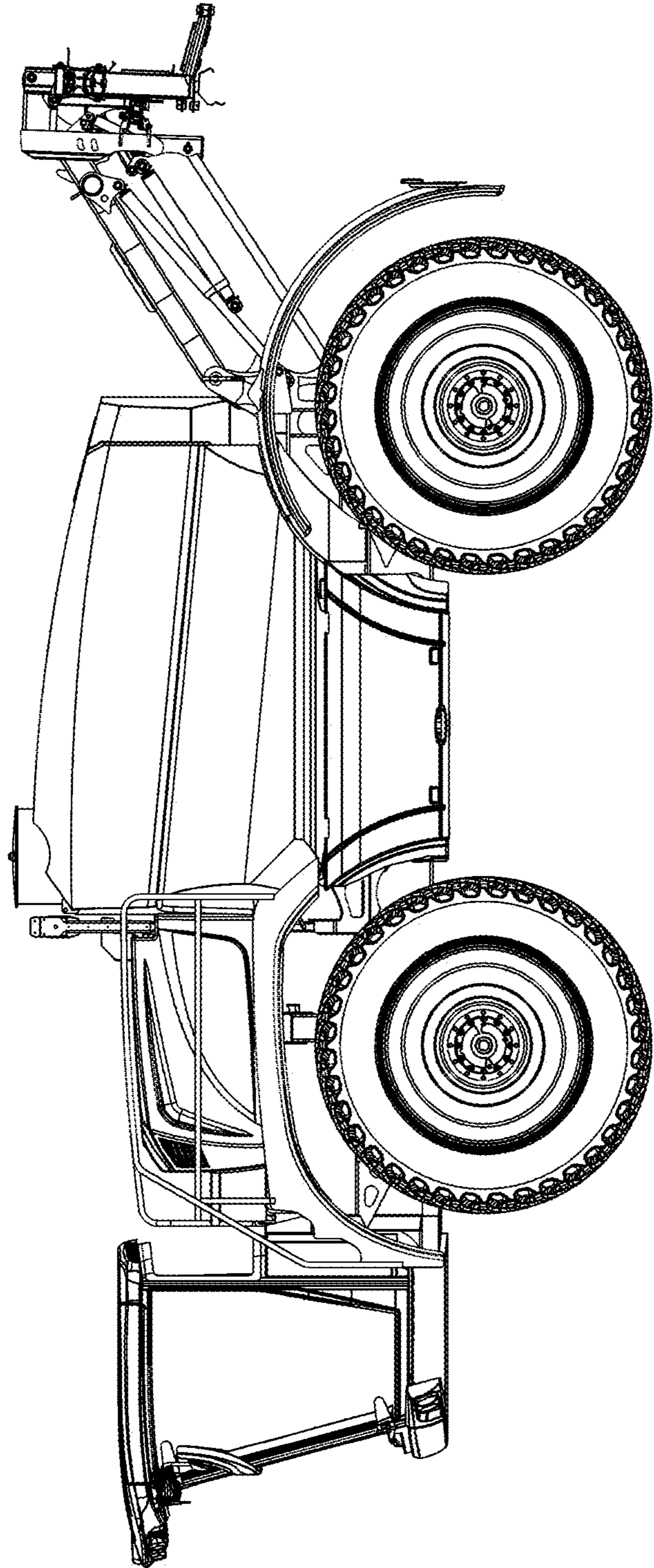


Fig. 2

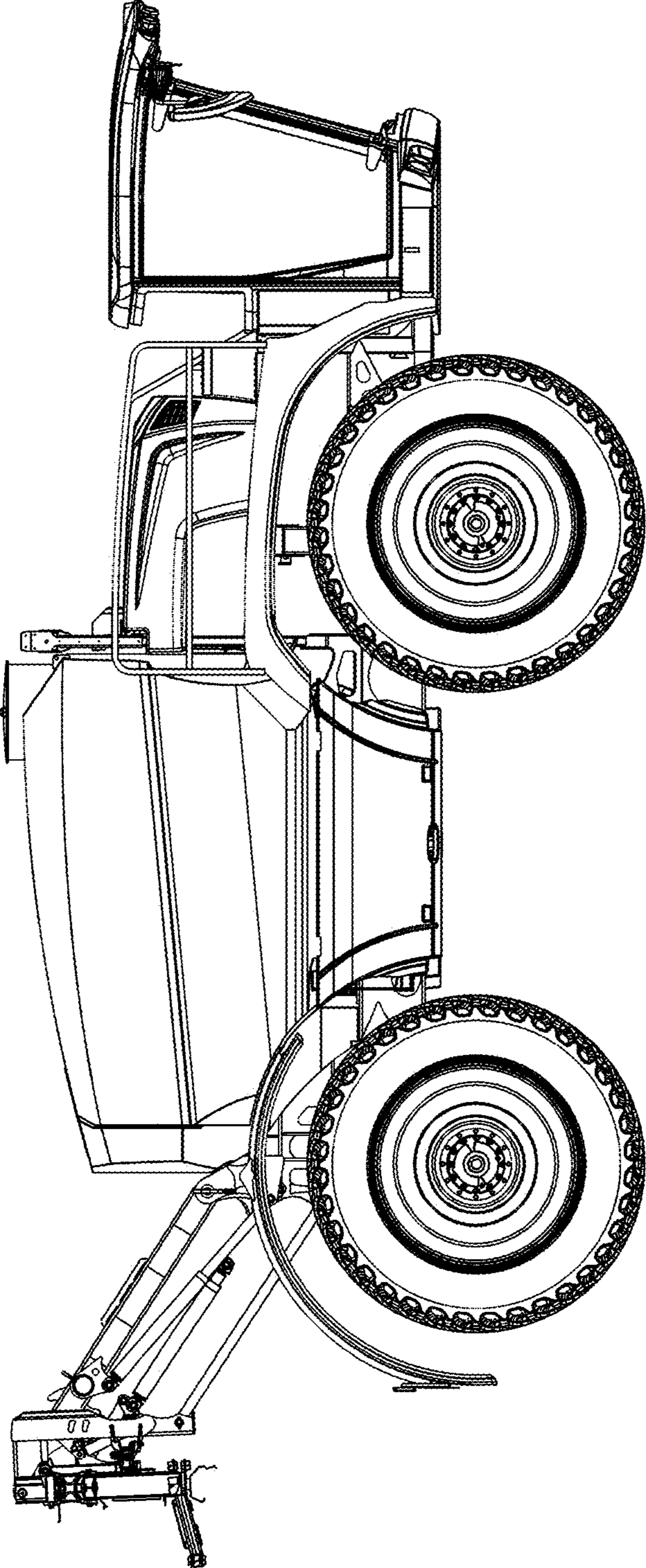


Fig. 3

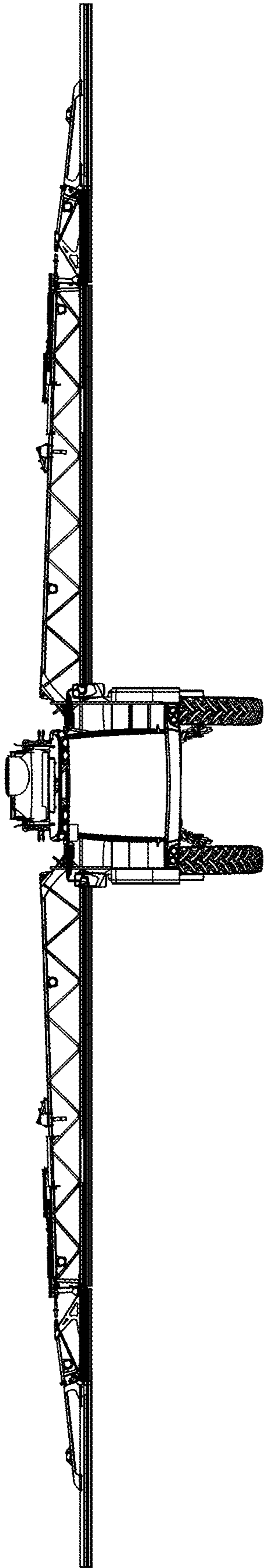


Fig. 4

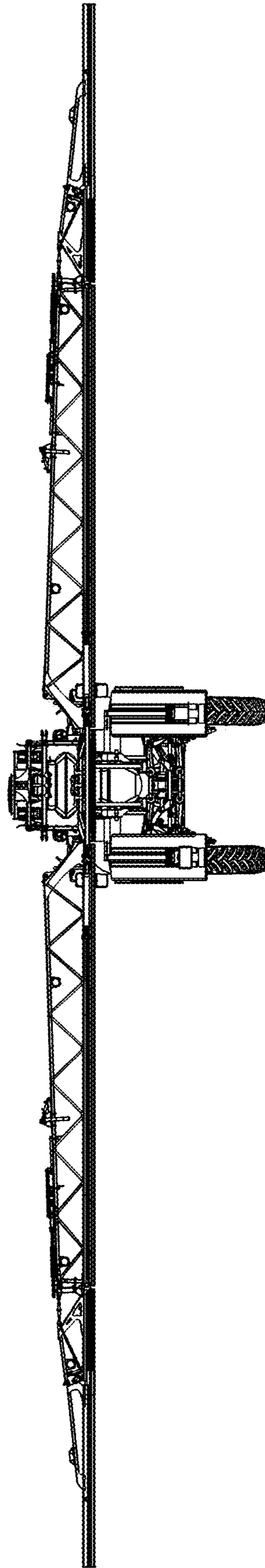


Fig. 5

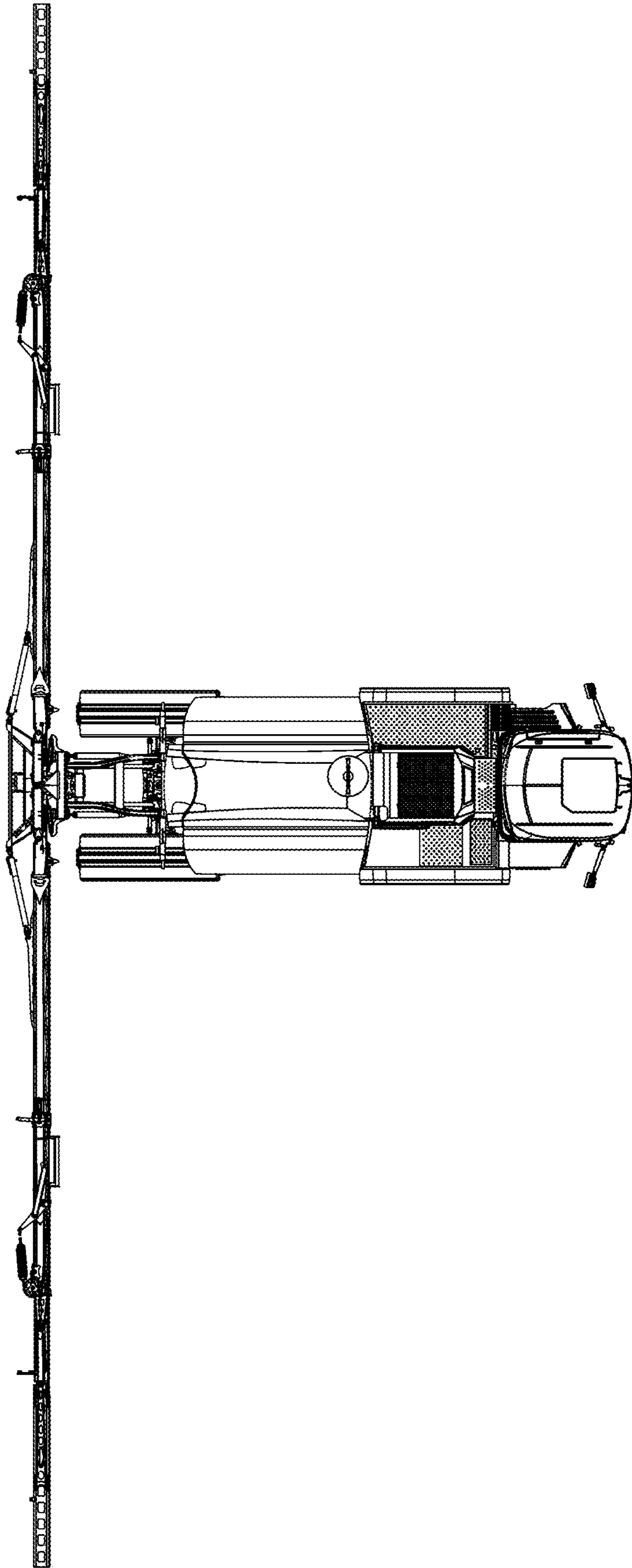


Fig. 6

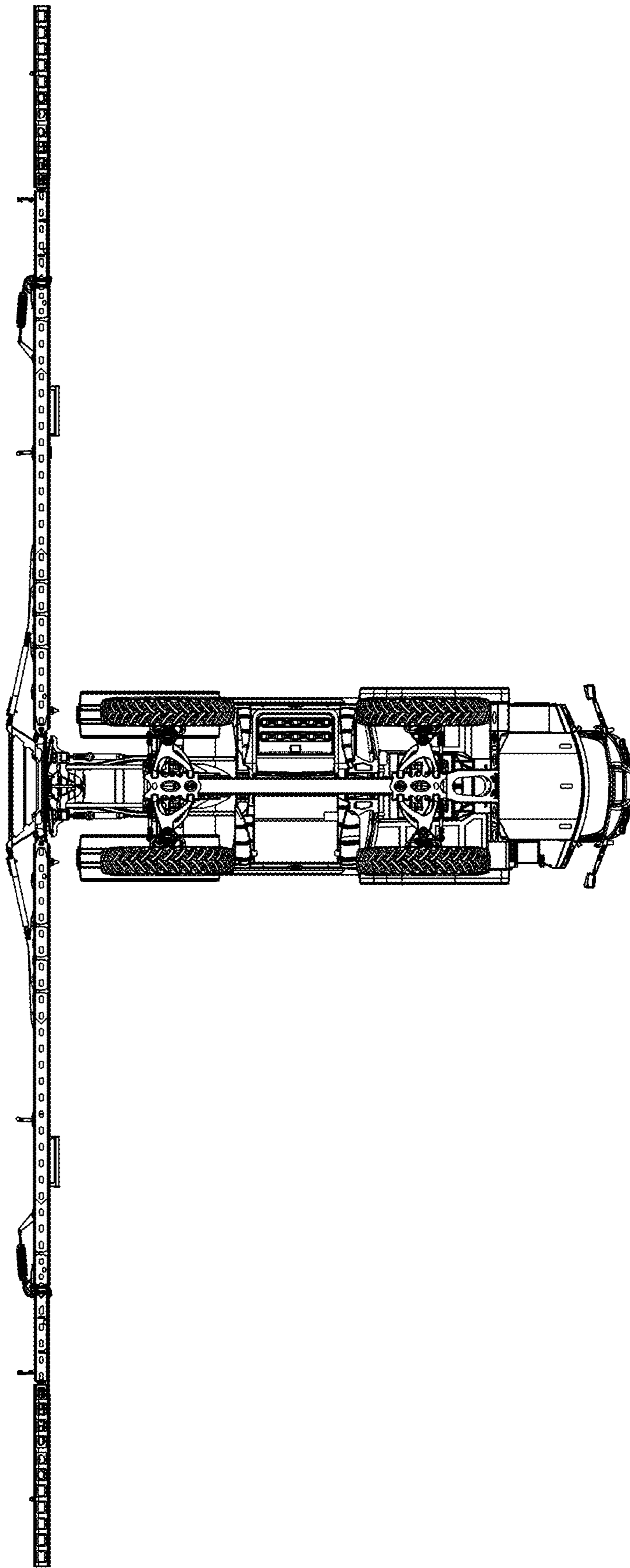


Fig. 7