



US00D923060S

(12) **United States Design Patent** (10) **Patent No.:** **US D923,060 S**
Kneer et al. (45) **Date of Patent:** **** Jun. 22, 2021**

(54) **PUMP**

(56) **References Cited**

(71) Applicant: **PSG Germany GmbH**, Duisburg (DE)

U.S. PATENT DOCUMENTS

(72) Inventors: **Andreas Kneer**, Rheinberg (DE);
Sascha Westphal, Kamp-Lintfort (DE)

| | | | | | | |
|-----------|----|---|---------|------------|-------|------------------------|
| D516,583 | S | * | 3/2006 | Strong | | D15/7 |
| D555,089 | S | * | 11/2007 | Lutz | | D13/112 |
| D591,310 | S | * | 4/2009 | Soja | | D15/7 |
| D647,537 | S | * | 10/2011 | Mehnert | | D15/7 |
| D676,063 | S | * | 2/2013 | Soja | | D15/7 |
| D676,462 | S | * | 2/2013 | Soja | | D15/7 |
| D677,282 | S | * | 3/2013 | Soja | | D15/7 |
| D677,283 | S | * | 3/2013 | Soja | | D15/7 |
| 9,028,224 | B2 | * | 5/2015 | Headley | | F04B 43/026 417/395 |
| 9,309,885 | B2 | * | 4/2016 | Blechsmidt | | F04C 15/0026 |
| D797,154 | S | * | 9/2017 | Fujiwara | | D15/7 |
| D861,734 | S | * | 10/2019 | Hanselman | | D15/7 |
| D865,005 | S | * | 10/2019 | Hanselman | | D15/7 |
| D874,522 | S | * | 2/2020 | Beukenberg | | D15/9 |

(73) Assignee: **PSG GERMANY GMBH**, Duisburg (DE)

(**) Term: **15 Years**

(21) Appl. No.: **35/507,027**

(22) Filed: **Dec. 6, 2018**

(80) **Hague Agreement Data**

Int. Filing Date: **Dec. 6, 2018**
Int. Reg. No.: **DM/201718**
Int. Reg. Date: **Dec. 6, 2018**
Int. Reg. Pub. Date: **Jul. 5, 2019**

(Continued)

FOREIGN PATENT DOCUMENTS

| | | | |
|----|---------|----|--------|
| DE | 8432047 | U1 | 2/1985 |
| DE | 3724104 | A1 | 2/1989 |

(Continued)

(30) **Foreign Application Priority Data**

| | | | |
|--------------|------|-------|----------------|
| Aug. 9, 2018 | (EM) | | 005594538-0001 |
| Aug. 9, 2018 | (EM) | | 005594538-0002 |
| Aug. 9, 2018 | (EM) | | 005594538-0003 |
| Aug. 9, 2018 | (EM) | | 005594538-0004 |
| Aug. 9, 2018 | (EM) | | 005594538-0005 |

Primary Examiner — Richard E Chilcot

(74) *Attorney, Agent, or Firm* — Howard IP Law Group, PC

(51) **LOC (13) Cl.** **15-02**

(52) **U.S. Cl.**
USPC **D15/7**
CPC **F02M 37/14** (2013.01)

(57) **CLAIM**

The ornamental design for a pump, as shown and described.

(58) **Field of Classification Search**

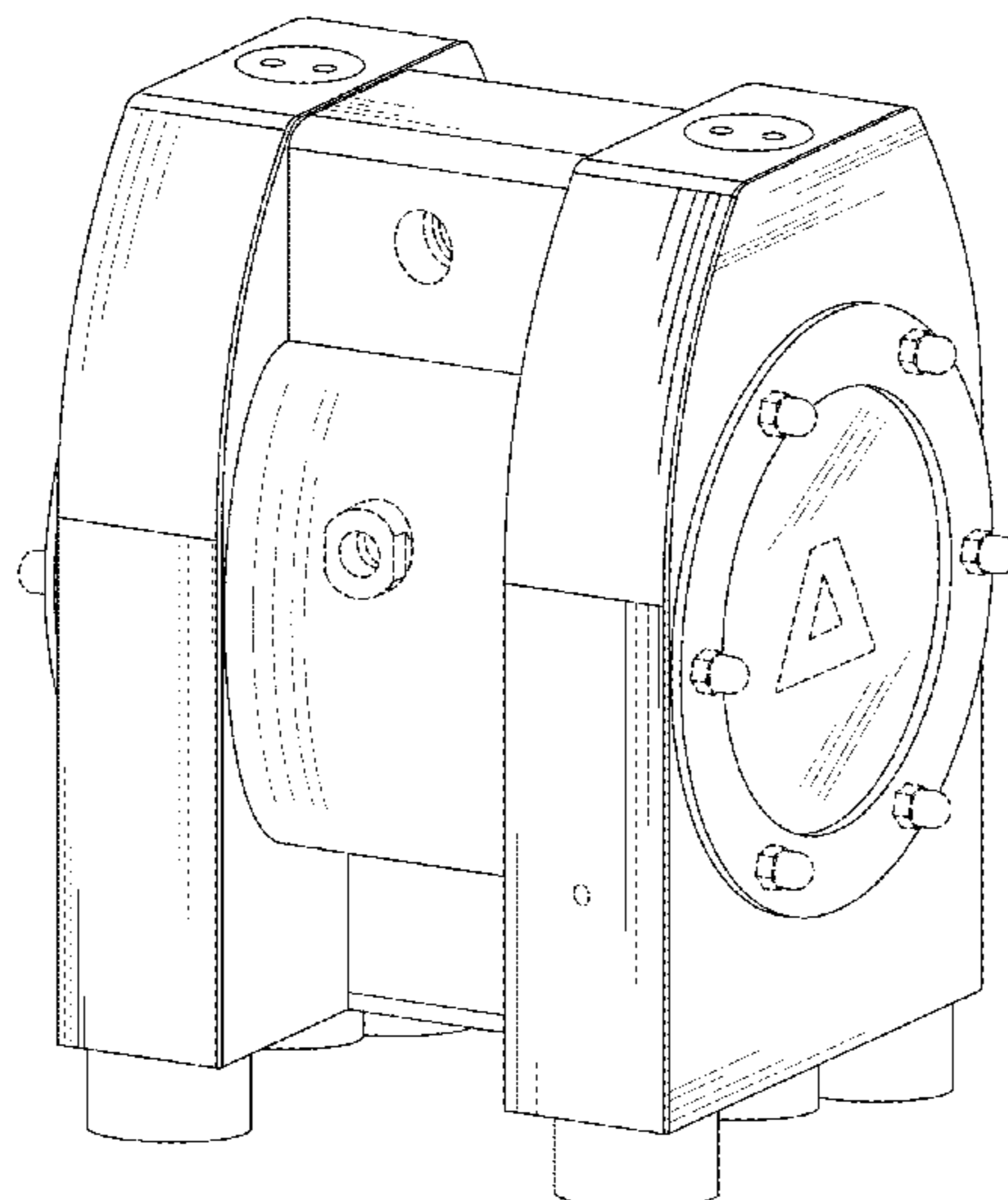
USPC D15/7-9, 231, 225, 232; 417/235, 265,
417/321, 355, 358, 363, 359, 410.1, 415,
417/416, 405, 900, 269, 539, 234, 60;
60/408, 412; 184/26-37; 415/140-147;
123/495, 509; 137/565.34
CPC F02M 37/04; F02M 37/14; F04B 53/92;
F04B 1/005; F04B 43/0736

DESCRIPTION

Figure 1.1 is a perspective view of a pump;
Figure 1.2 is a front view thereof;
Figure 1.3 is a back view thereof;
Figure 1.4 is a top view thereof;
Figure 1.5 is a bottom view thereof;
Figure 1.6 is a right view thereof;
Figure 1.7 is a left view thereof.
The broken lines in the drawings depict portions of the pump that form no part of the claimed design.

See application file for complete search history.

1 Claim, 7 Drawing Sheets



(56)

References Cited

U.S. PATENT DOCUMENTS

2002/0039535 A1 4/2002 Budde
2007/0065305 A1* 3/2007 Budde F04B 43/0736
417/395
2016/0215679 A1* 7/2016 Pawellek F01P 5/12
2017/0254253 A1* 9/2017 Hoffmann F01P 7/14
2017/0335844 A1* 11/2017 Blechschmidt F04C 2/102
2017/0370274 A1* 12/2017 Hoffmann F01P 7/16

FOREIGN PATENT DOCUMENTS

DE 10044868 A1 4/2002
DE 102004045687 A1 3/2006
DE 102015007331 A1 12/2016
EM 001096291-0002 3/2009
EM 0010962910001 3/2009
EM 0025377870001 10/2014
EM 0025377870002 10/2014
EM 0025377870003 10/2014
EM 0025377870004 10/2014
EM 0025377870005 10/2014
EM 0025377870006 10/2014
EM 0053012640001 6/2018
EM 0053012640003 6/2018
EM 0053012640004 6/2018
EM 0053102640002 6/2018

* cited by examiner

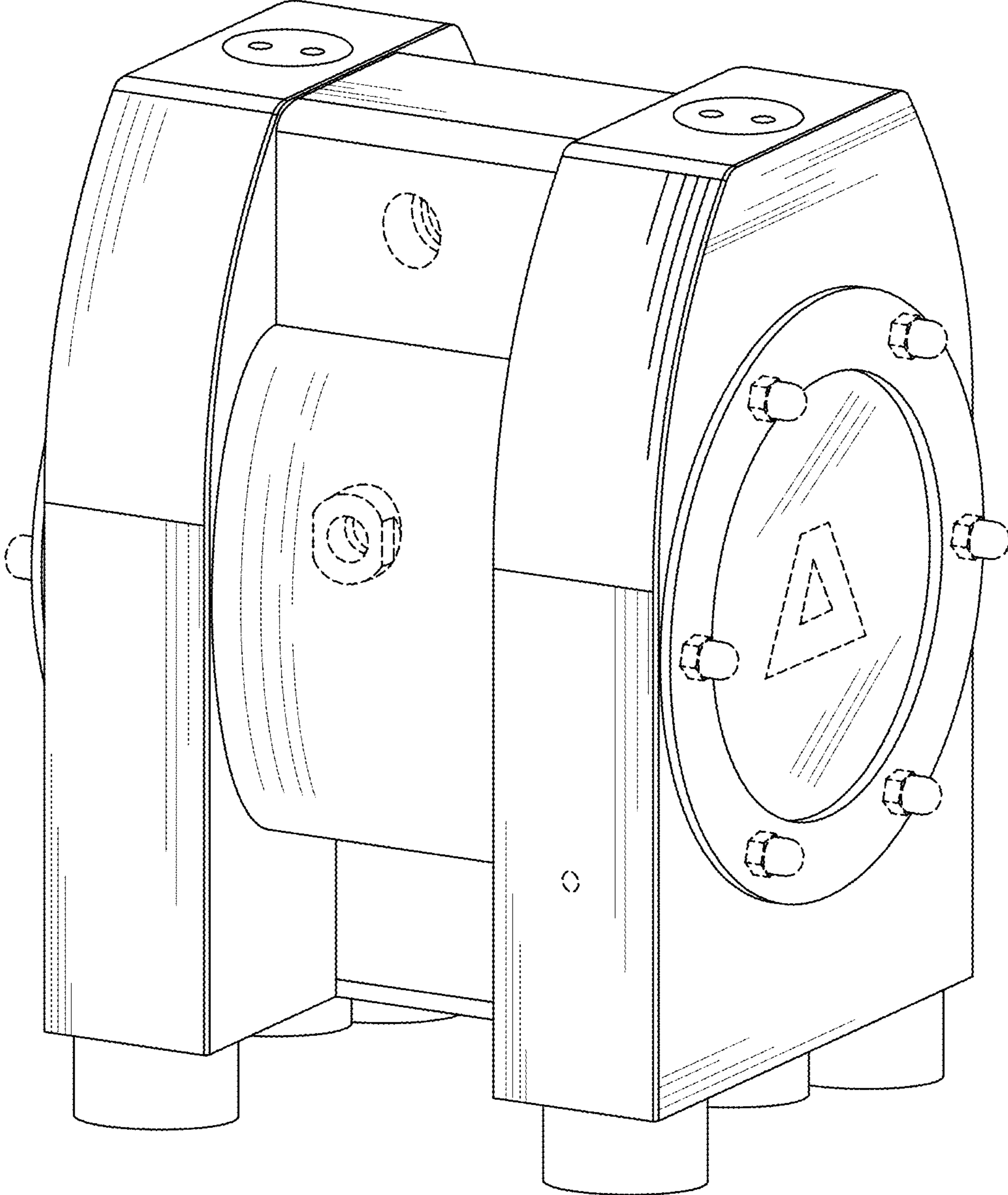


FIG. 1.1

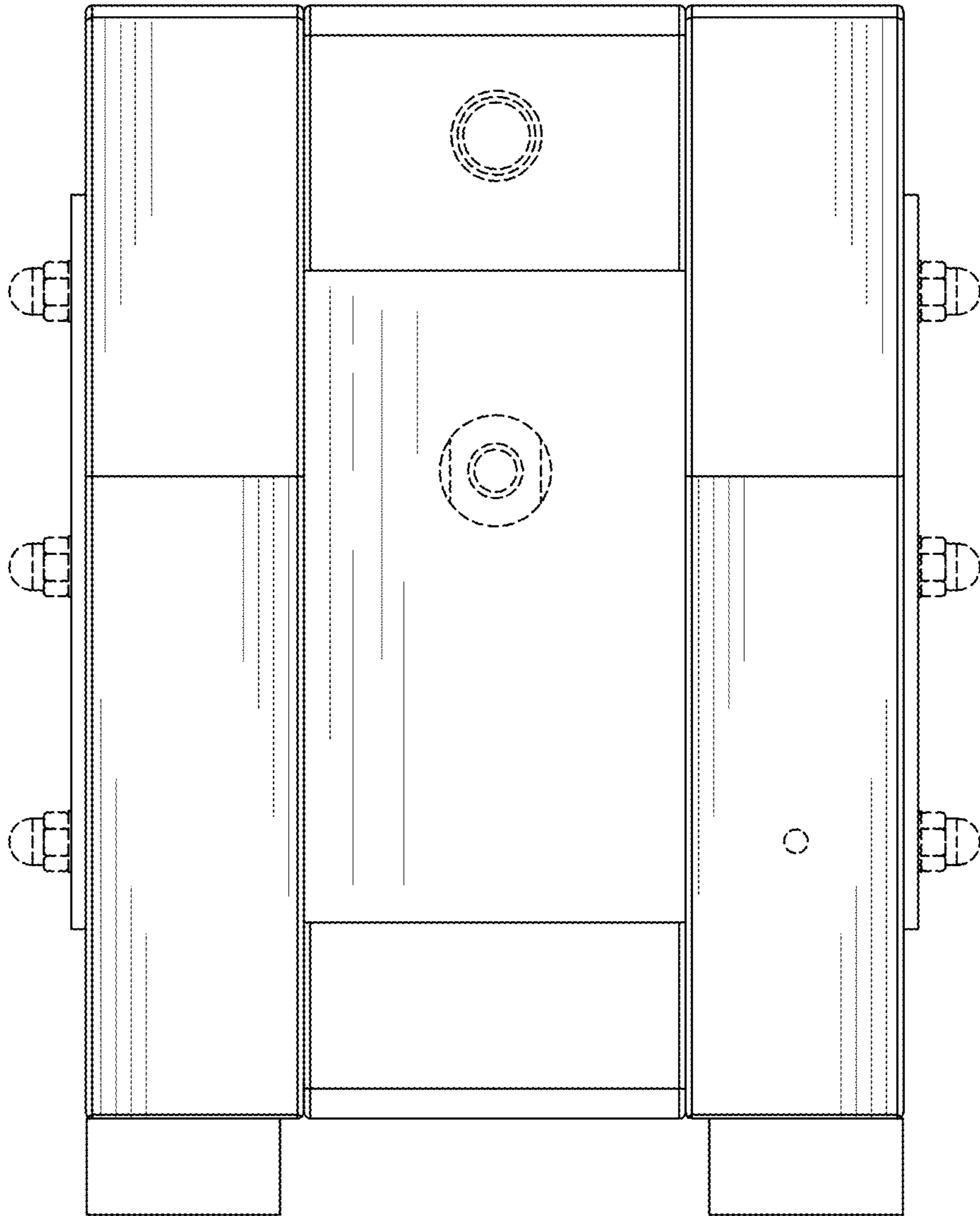


FIG. 1.2

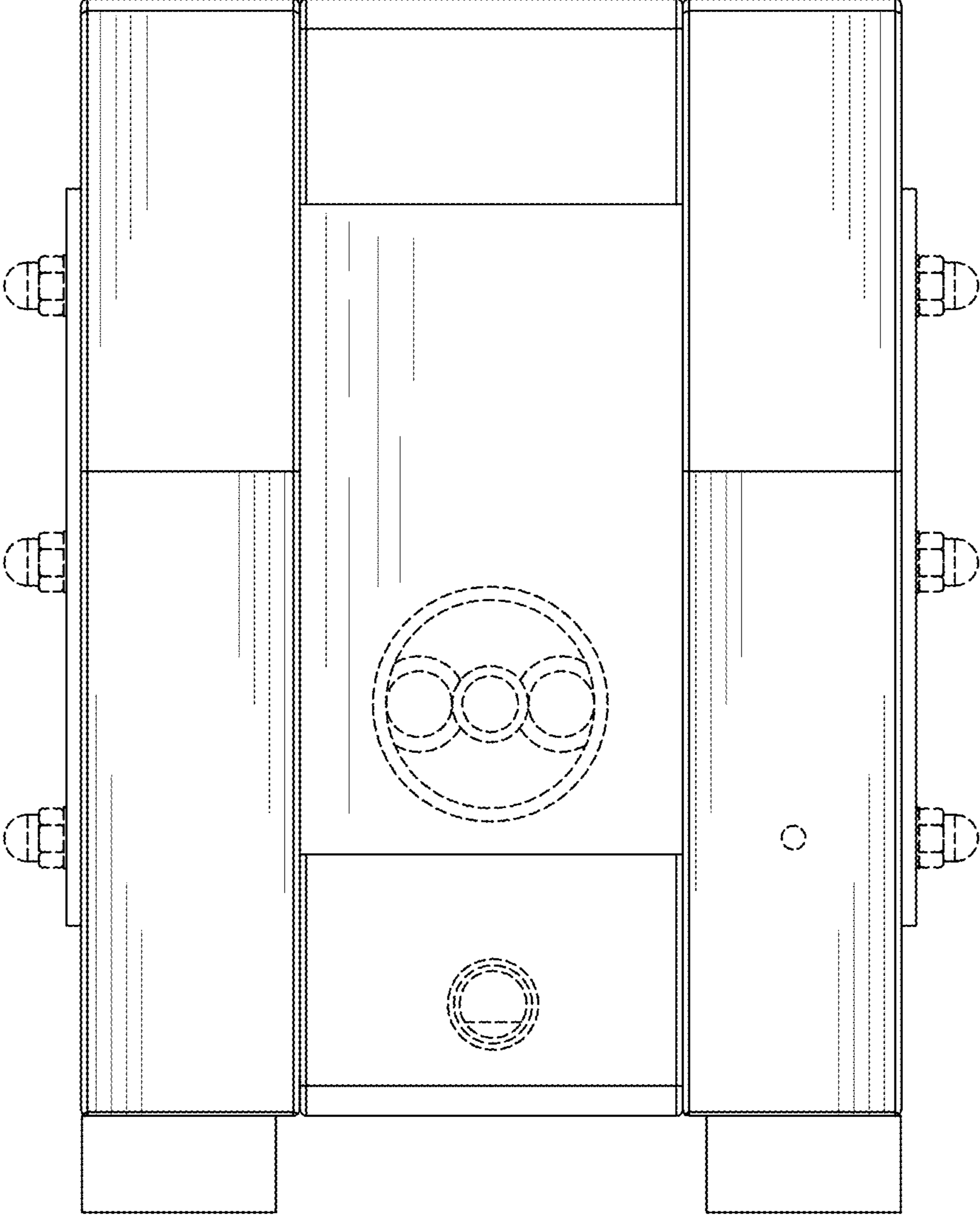


FIG. 1.3

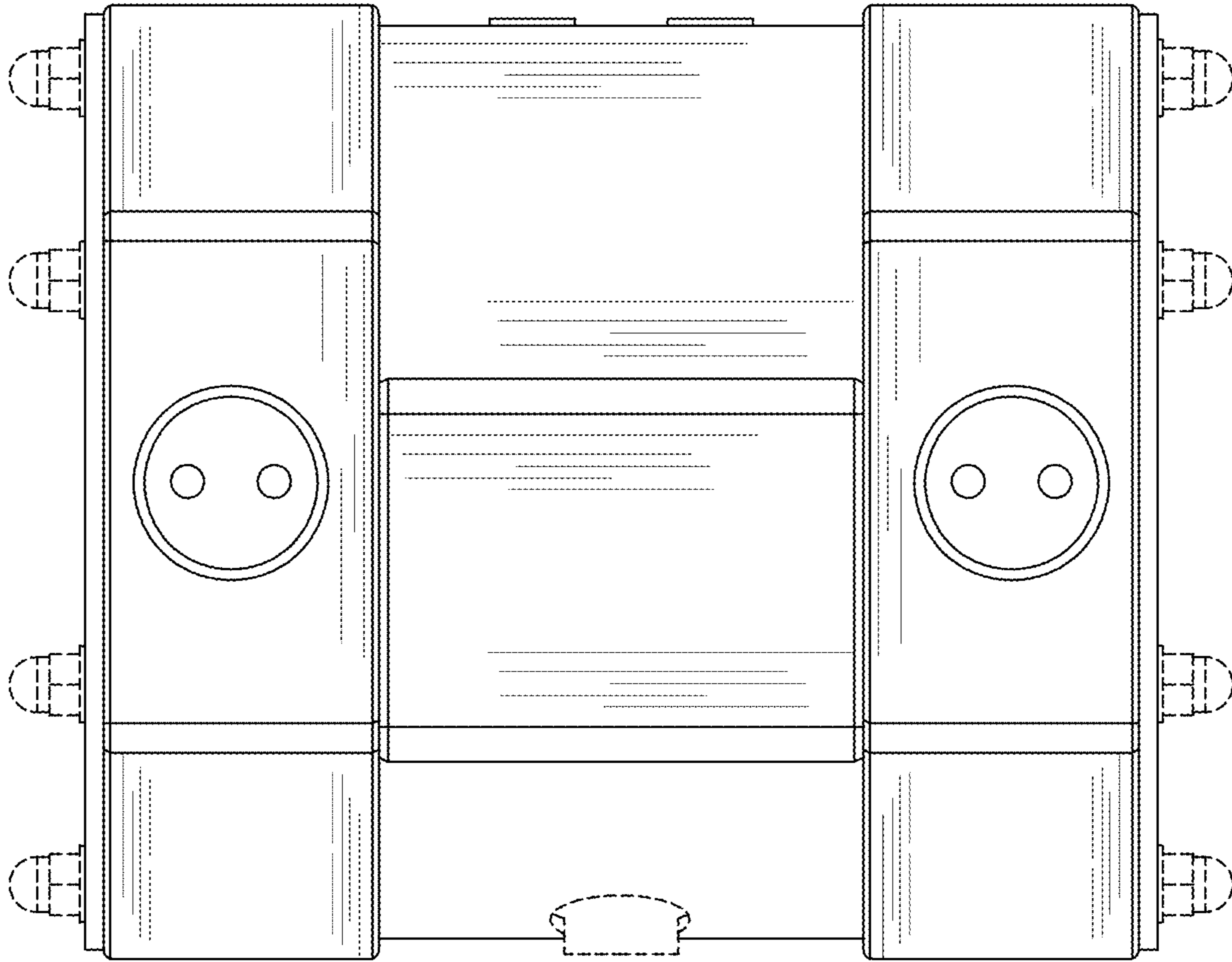


FIG. 1.4

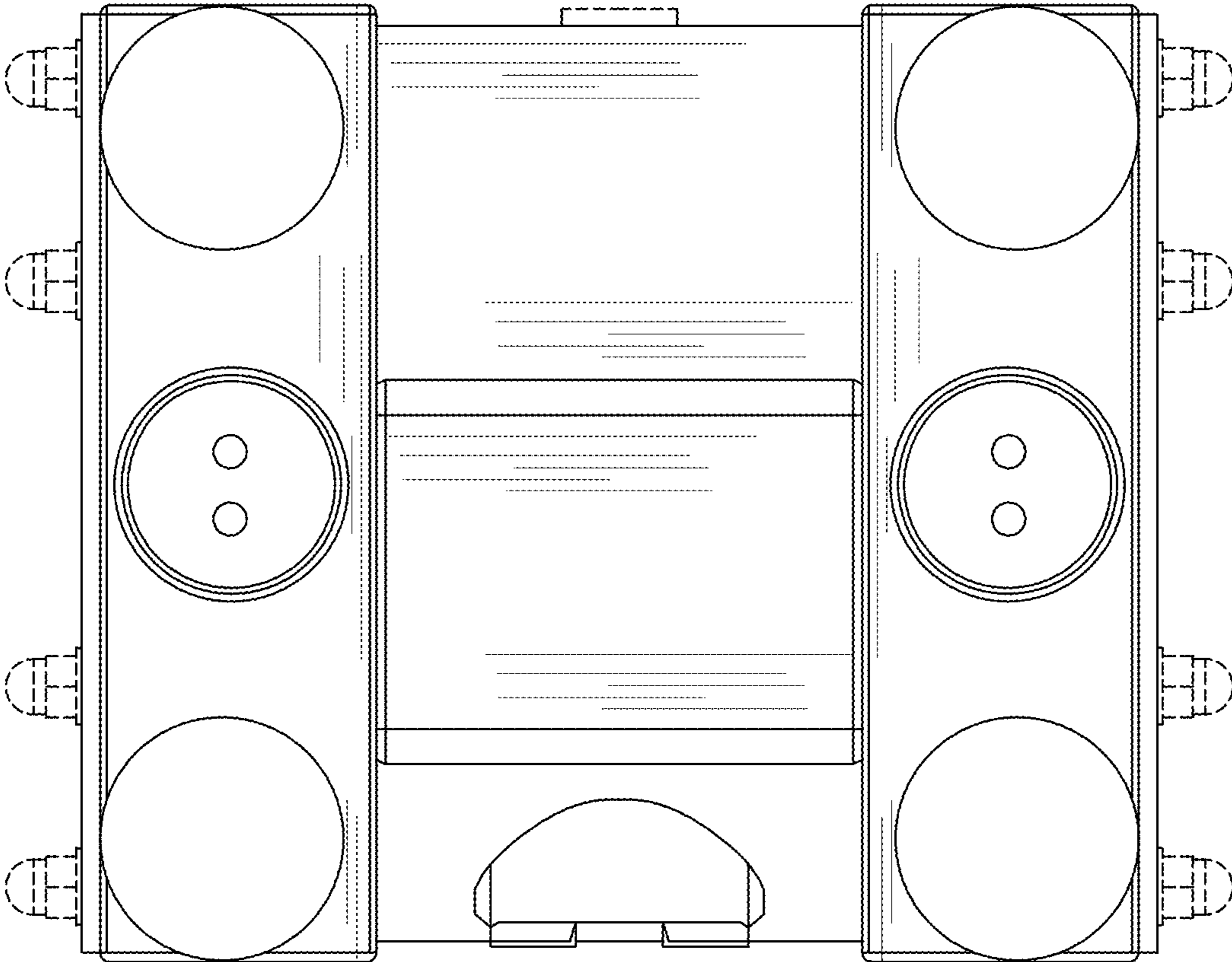


FIG. 1.5

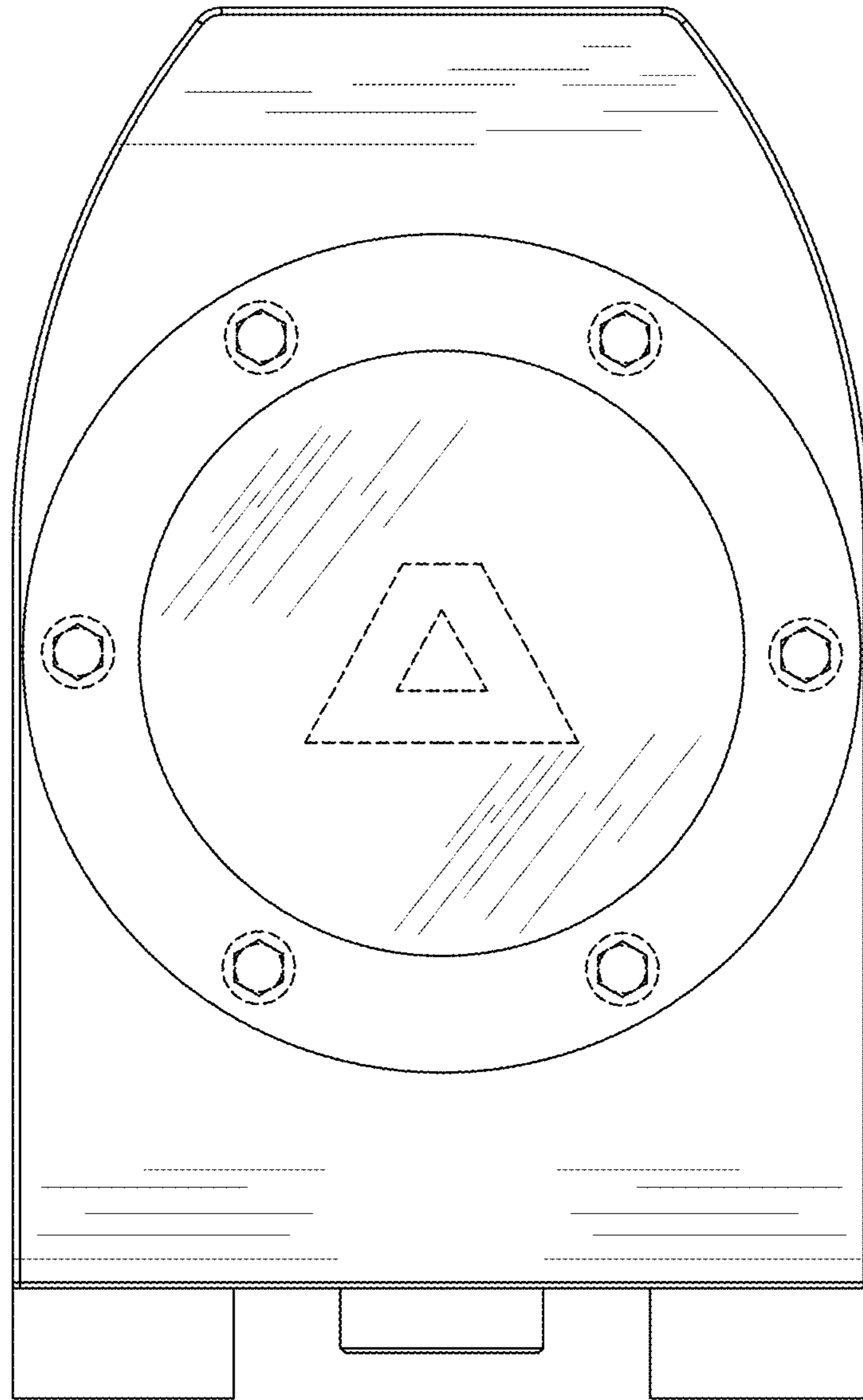


FIG. 1.6

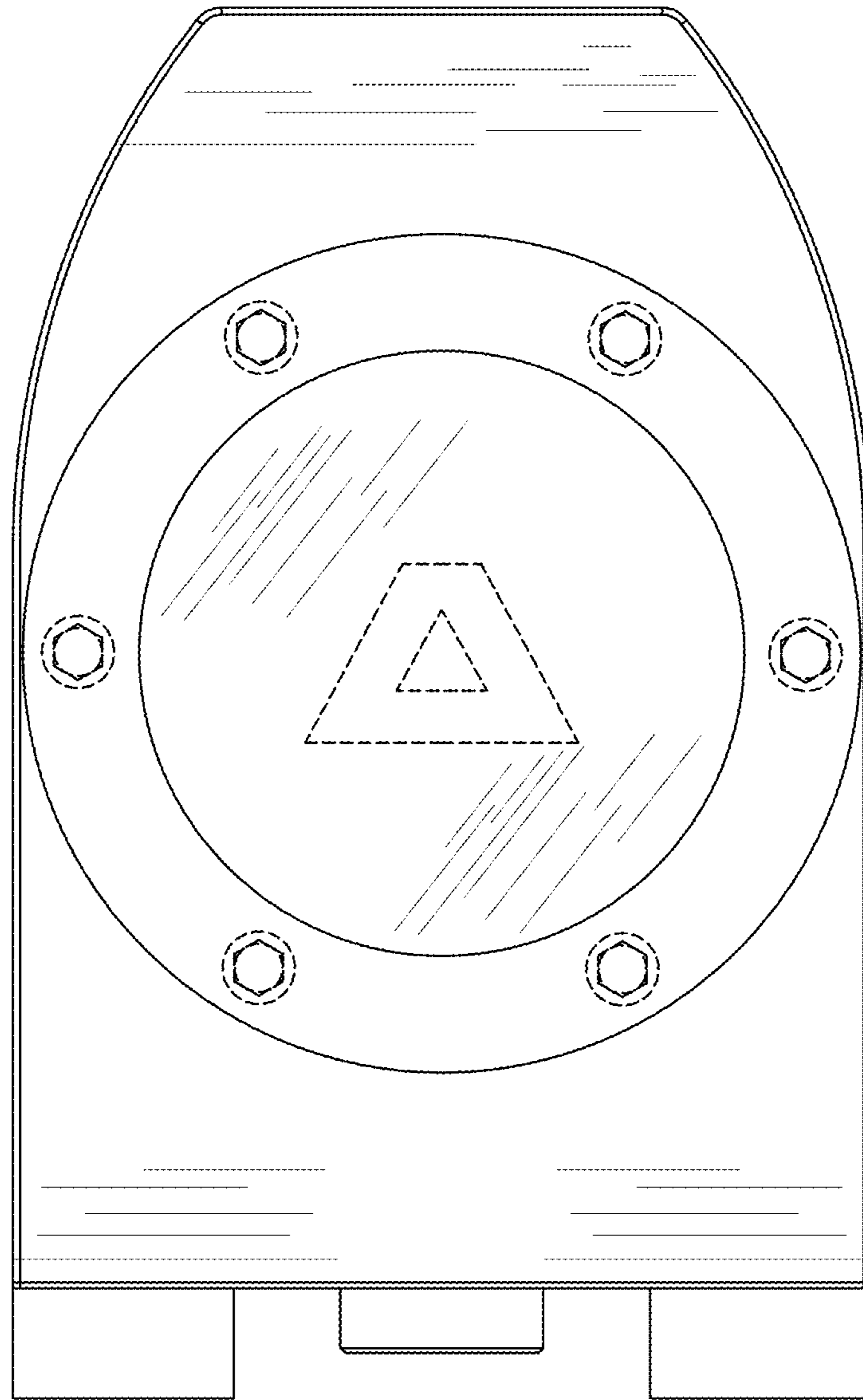


FIG. 1.7