



US00D923058S

(12) **United States Design Patent**
Liu

(10) **Patent No.:** **US D923,058 S**

(45) **Date of Patent:** **** Jun. 22, 2021**

(54) **AIR PUMP**

(71) Applicant: **Yingan Liu**, Chongqin (CN)

(72) Inventor: **Yingan Liu**, Chongqin (CN)

(73) Assignee: **Jiangsu Youmay Electric Appliance Co., Ltd**

(**) Term: **15 Years**

(21) Appl. No.: **29/700,757**

(22) Filed: **Aug. 5, 2019**

(51) **LOC (13) Cl.** **15-02**

(52) **U.S. Cl.**
USPC **D15/7**

(58) **Field of Classification Search**
USPC D15/7-9; D23/225, 231, 232, 366, 356;
D9/689, 529; D12/114
CPC F04B 53/14; F04B 53/92; F04B 33/00;
F04B 33/005; F04B 1/005; F04B 39/102;
F02M 37/04; F02M 37/14; F04D 13/06;
F04D 29/22; F04D 29/046; F04D
29/2266; E03F 5/22; F16K 11/048; F16K
15/20; F16K 31/602; F16L 37/18; F16L
37/20

See application file for complete search history.

(56) **References Cited**

U.S. PATENT DOCUMENTS

D301,245 S *	5/1989	Hefling	D15/7
D339,143 S *	9/1993	Whitley, II	D15/7
D405,806 S *	2/1999	Poon	D15/7
D420,011 S *	2/2000	Tsai	D15/7
D425,914 S *	5/2000	Tsai	D15/7
D453,342 S *	2/2002	Wu	D15/7
D453,524 S *	2/2002	Wu	D15/7
D479,722 S *	9/2003	Poon	D15/7
D486,159 S *	2/2004	Poon	D15/7
D487,899 S *	3/2004	Poon	D15/7

D491,196 S *	6/2004	Poon	D15/7
D499,114 S *	11/2004	Poon	D15/7
D553,646 S *	10/2007	Wu	D15/7
D559,269 S *	1/2008	Wu	D15/7
D782,540 S *	3/2017	Zhang	D15/7
D804,536 S *	12/2017	Bao	D15/7
D807,402 S *	1/2018	Flora	D15/7
D869,507 S *	12/2019	Huang	D15/7
D869,508 S *	12/2019	Huang	D15/7
D869,509 S *	12/2019	Huang	D15/7
D879,154 S *	3/2020	Huang	D15/7
D886,158 S *	6/2020	Zhang	D15/7

OTHER PUBLICATIONS

BOMPOW, Air Pump for Inflatables Air Mattress Pump Air Bed Pool Toy Raft Boat Quick Electric Air Pump Black (AC Pump(300W)), (date first available Jan. 27, 2019), Amazon.com; URL:<https://www.amazon.com/dp/B07N69DSY5> (Year: 2019).*

(Continued)

Primary Examiner — Sheryl Lane

Assistant Examiner — Mark T. Philipps

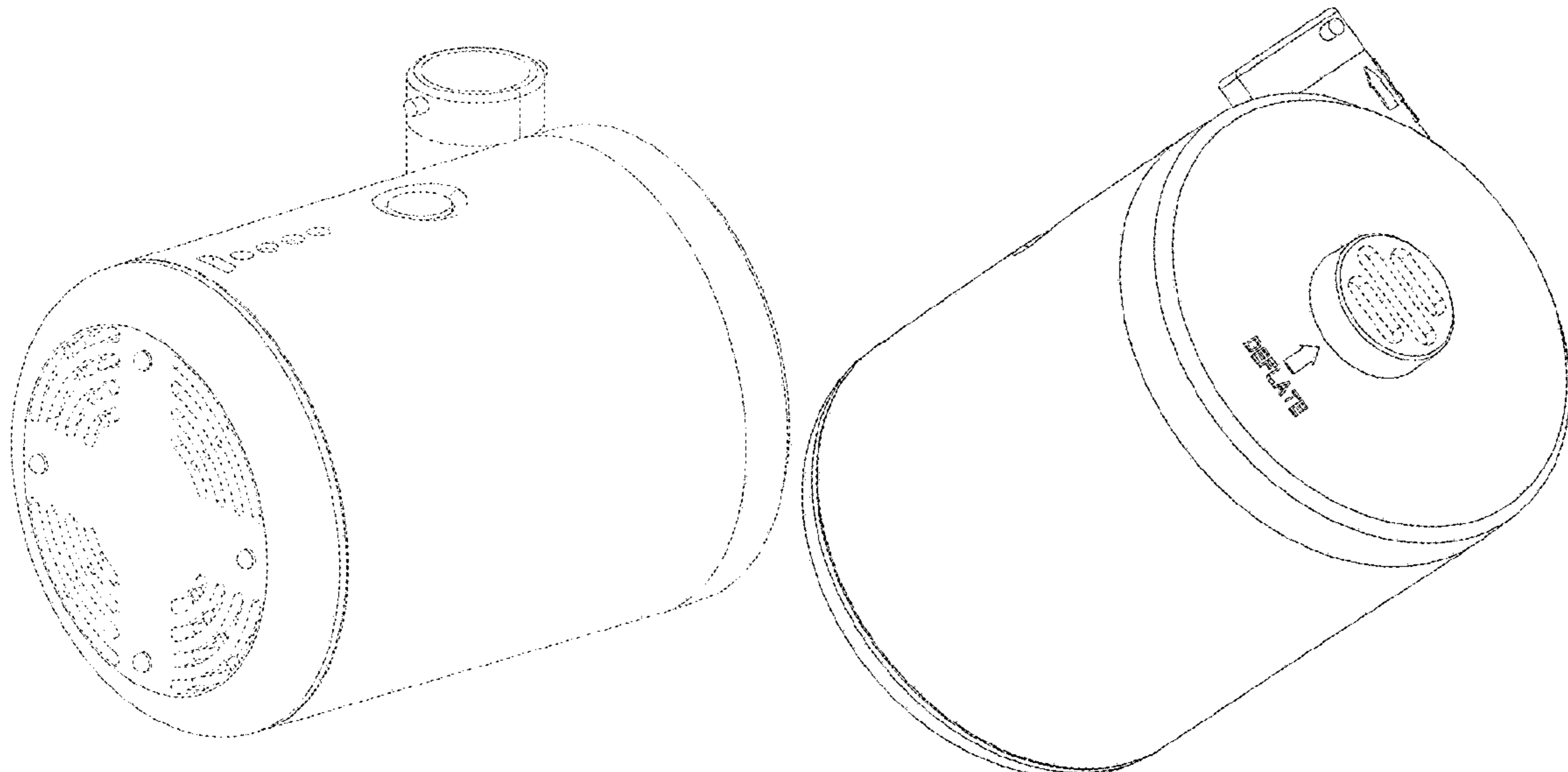
(57) **CLAIM**

The ornamental design for an air pump, as shown and described.

DESCRIPTION

FIG. 1 is a perspective view of an air pump showing the claimed design;
FIG. 2 is another perspective view thereof;
FIG. 3 is a top plan view thereof;
FIG. 4 is a rear elevational view thereof;
FIG. 5 is a bottom plan view thereof;
FIG. 6 is a right side view thereof;
FIG. 7 is a front elevational view thereof; and,
FIG. 8 is a left side view thereof.
The broken lines illustrate portions of the air pump that form no part of the claimed design.

1 Claim, 8 Drawing Sheets



(56)

References Cited

OTHER PUBLICATIONS

Tomight, Electric Air Pump Rechargeable Portable Air Mattress Pump for Inflatables Quick-Fill Inflator Deflator, (first available Sep. 20, 2019), Amazon.com, URL:<<https://www.amazon.com/Tomight-Electric-Rechargeable-Quick-Fill-Inflatable/dp/B07Y53YP6K>> (Year: 2019).*

Baiouda, Air Pump Air Mattress Pump for Inflatable Blow up Pool Raft Bed Boat Toy Exercise Ball Quick-Fill AC Inflator Deflator, (first available May 30, 2018), Amazon.com, URL:<<https://www.amazon.com/Mattress-Inflatable-Exercise-Quick-Fill-Inflator/dp/B07DDKNR4Q>> (Year: 2018).*

* cited by examiner

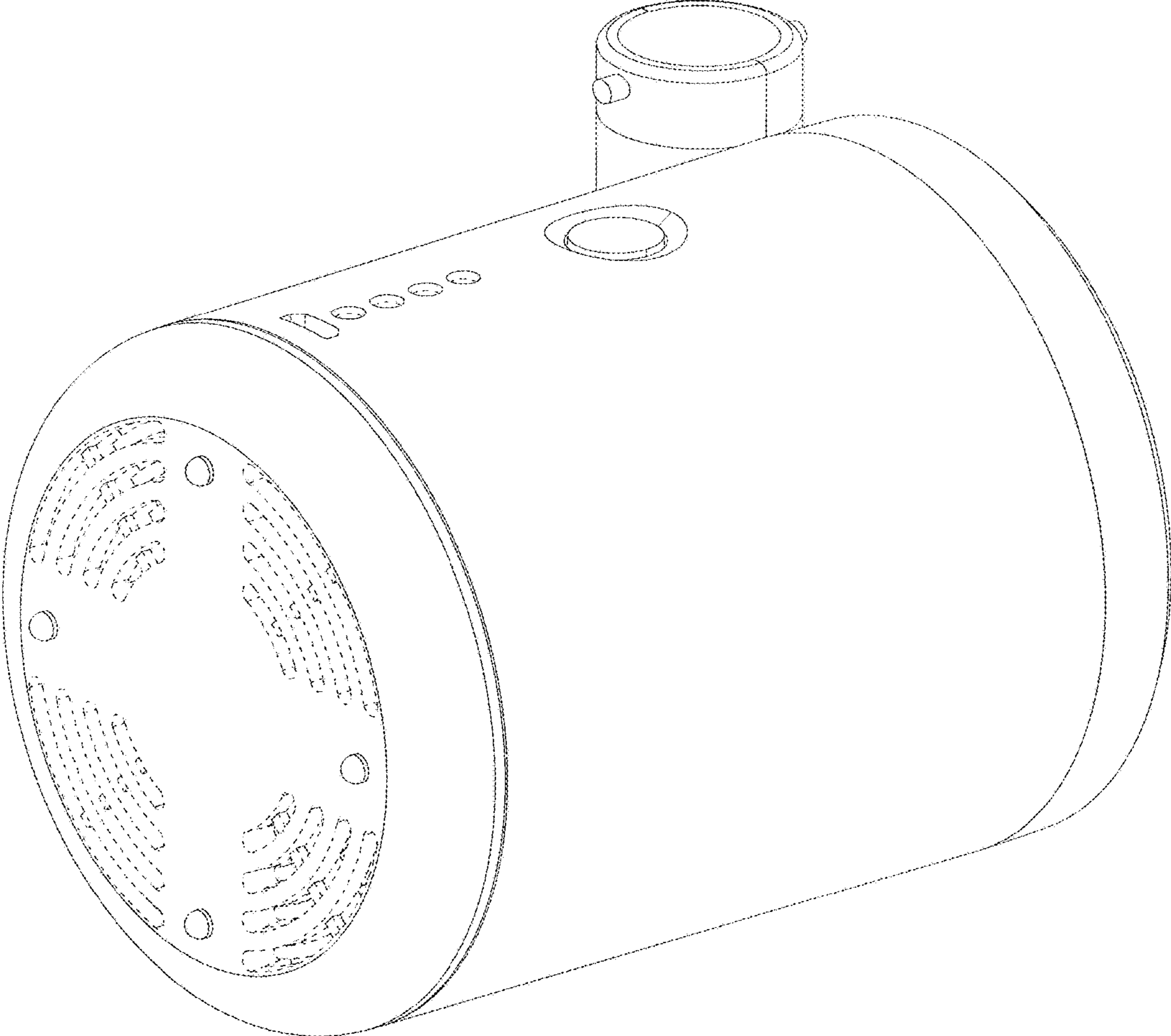


FIG.1



FIG.2

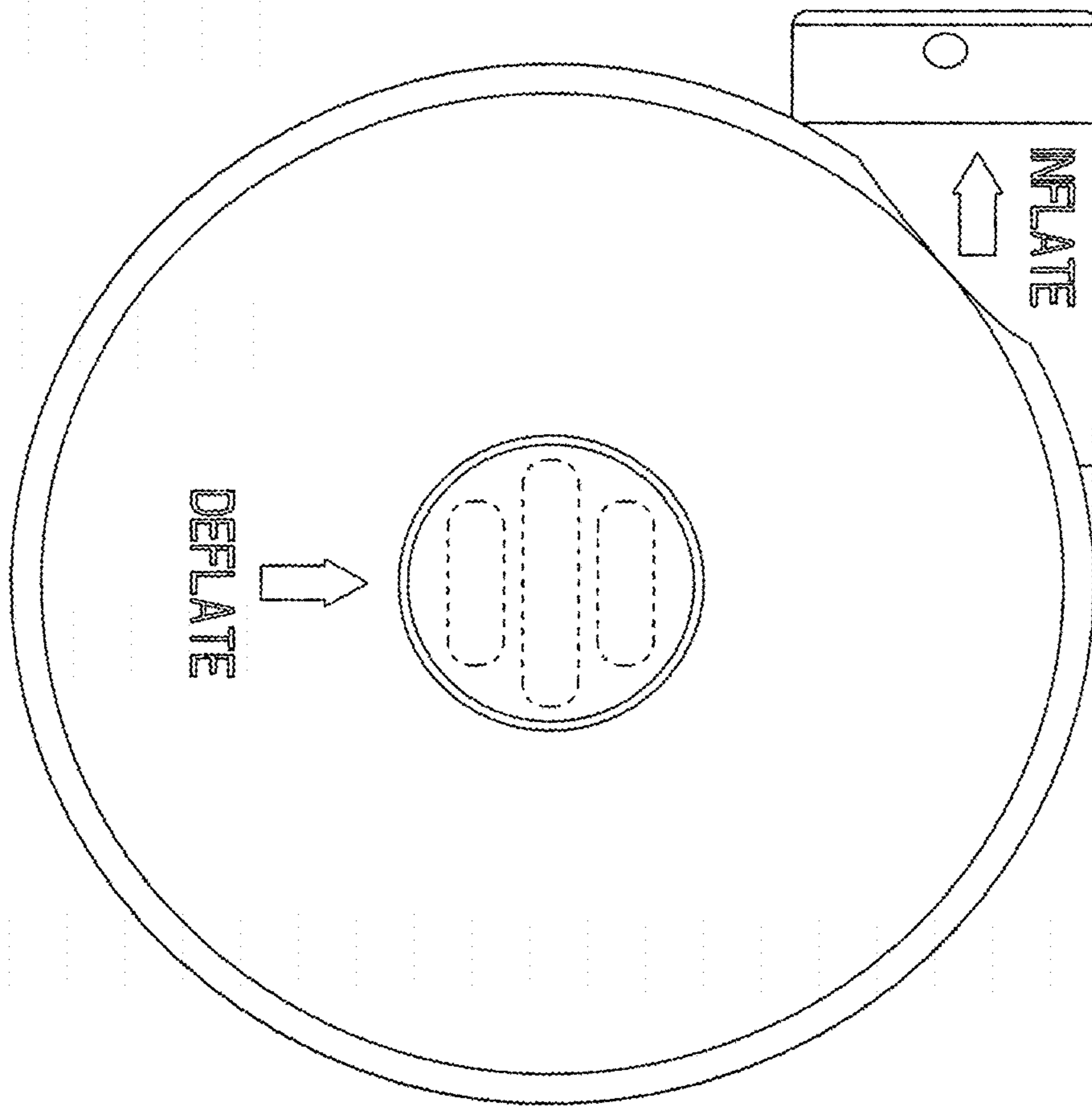


FIG.3

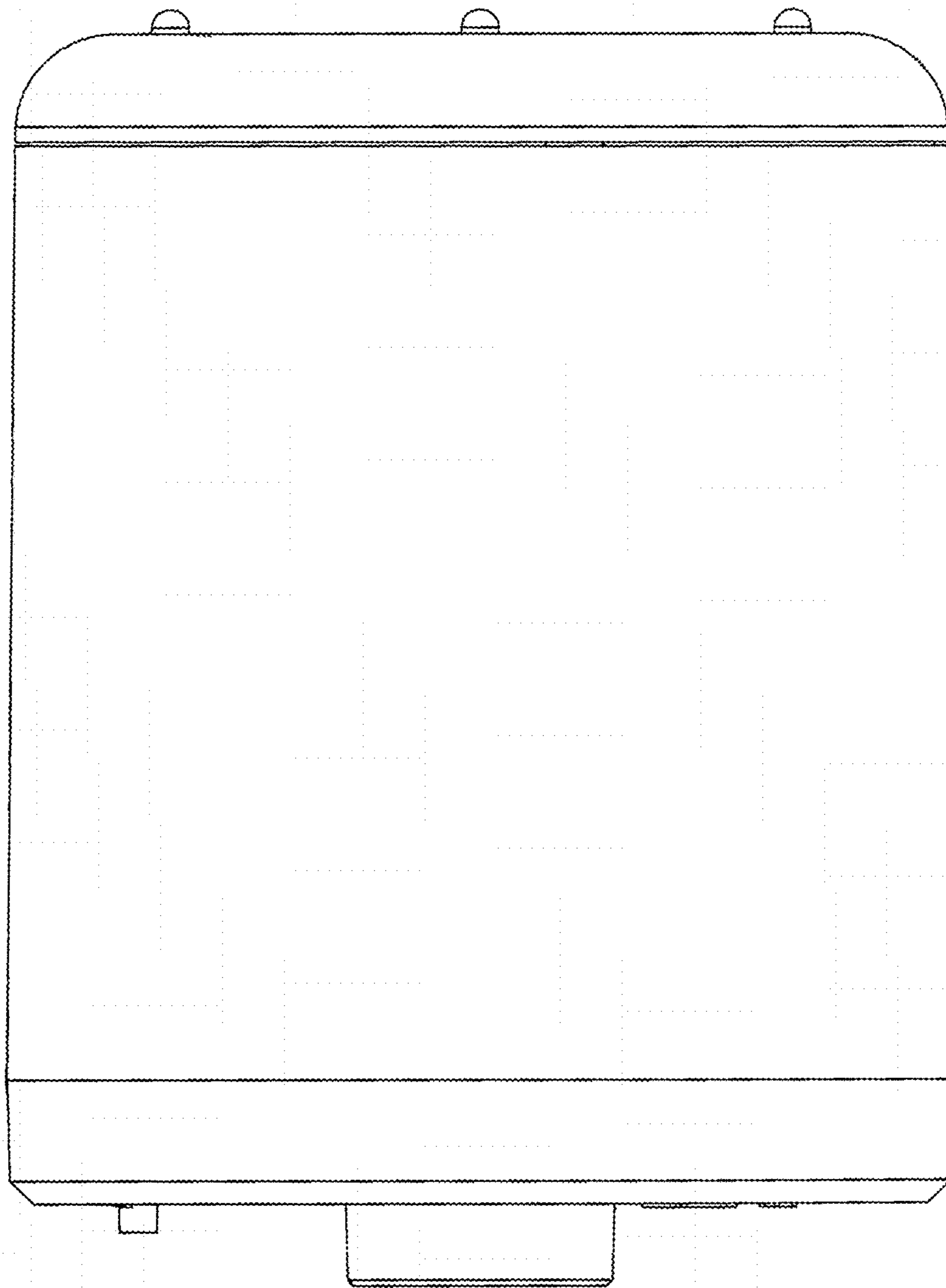


FIG. 4

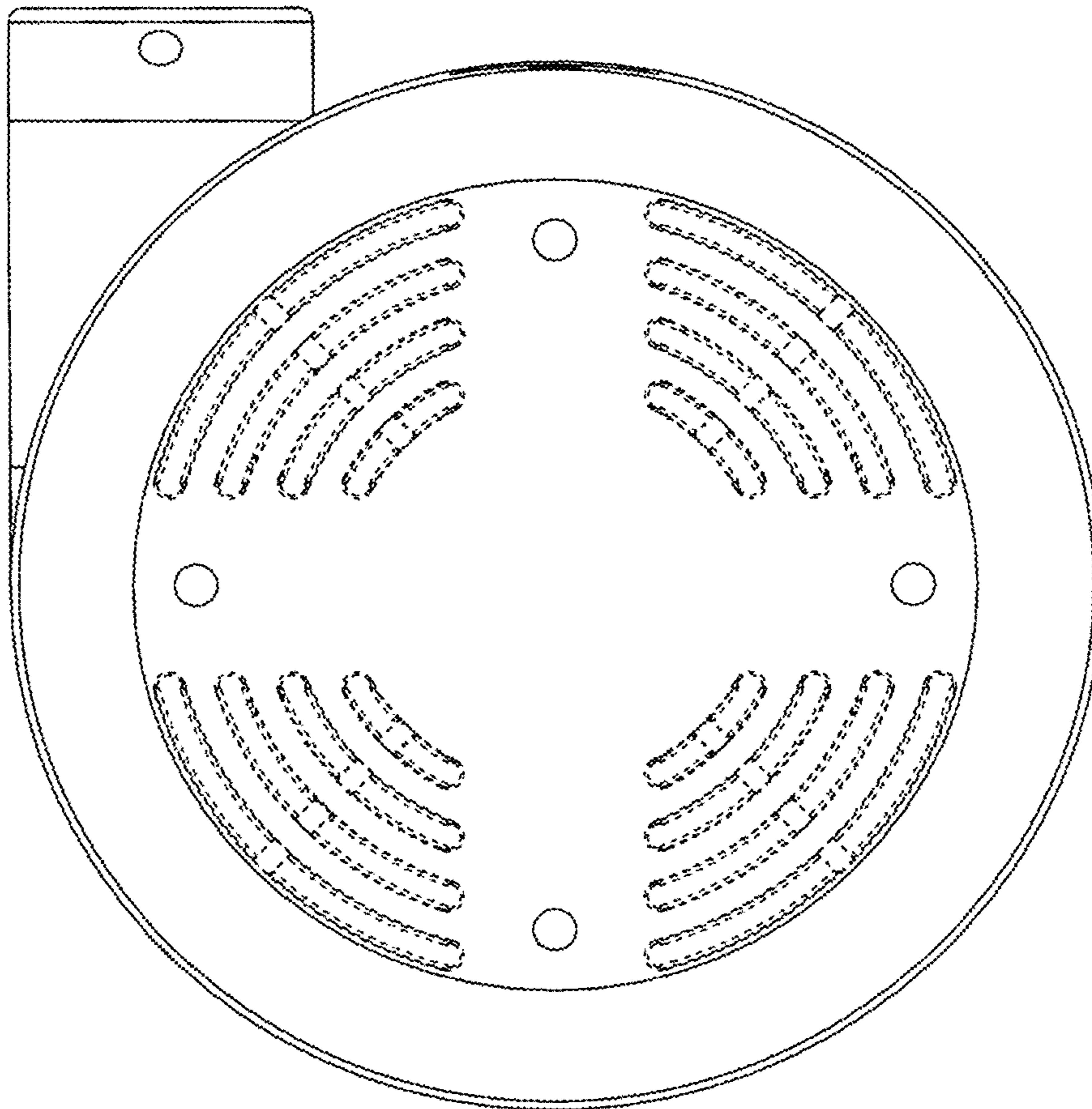


FIG.5

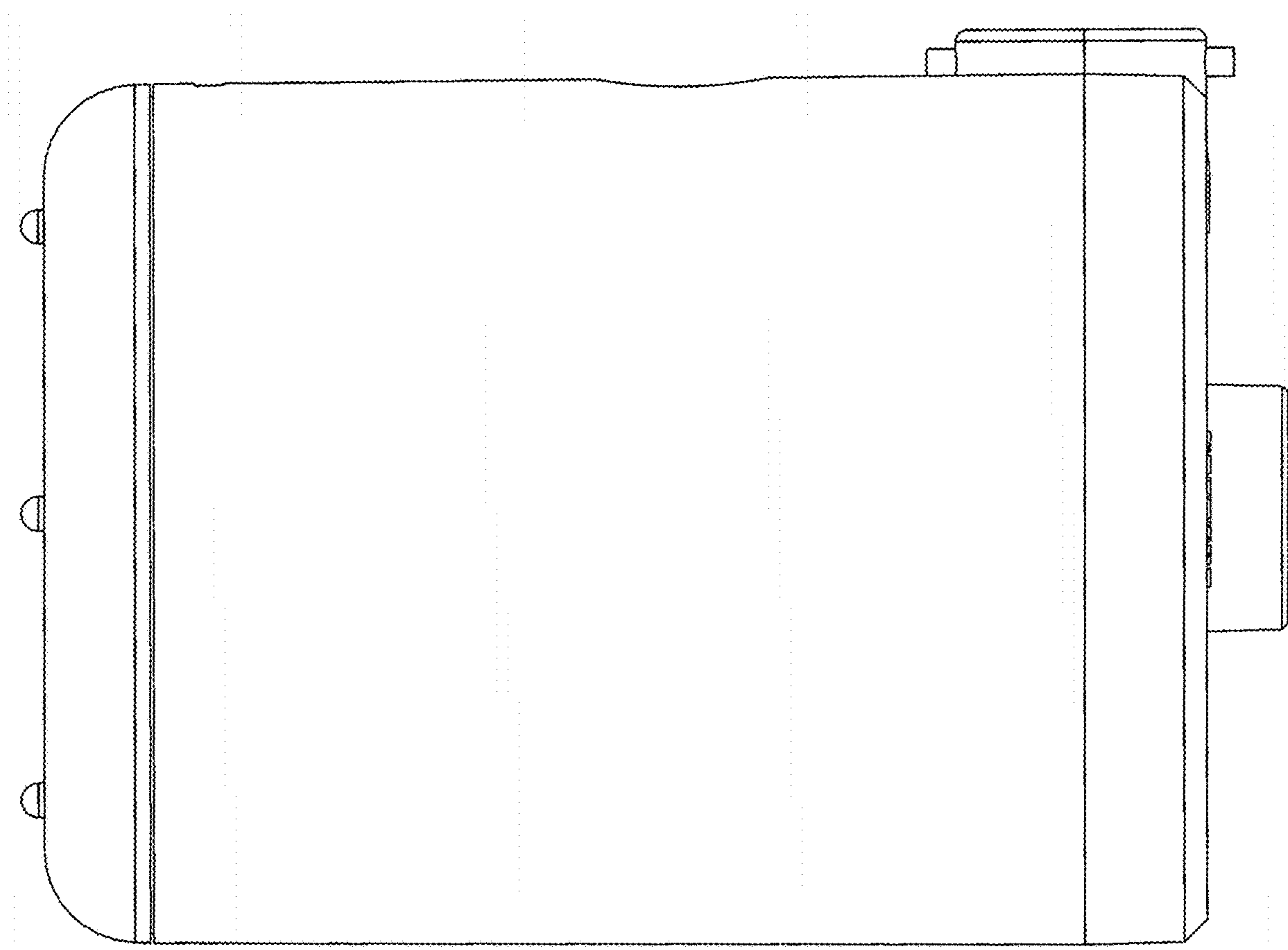


FIG.6

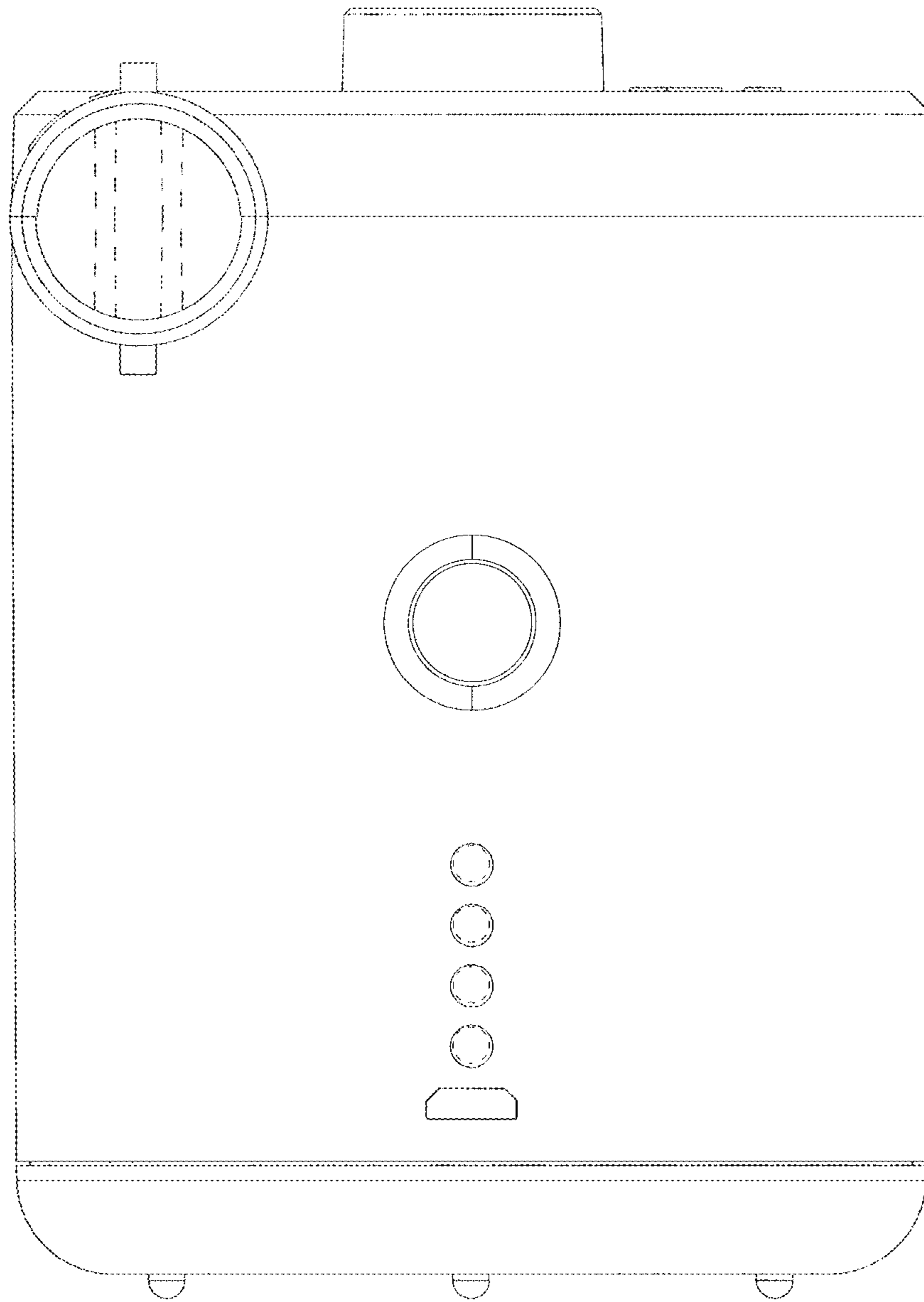


FIG. 7

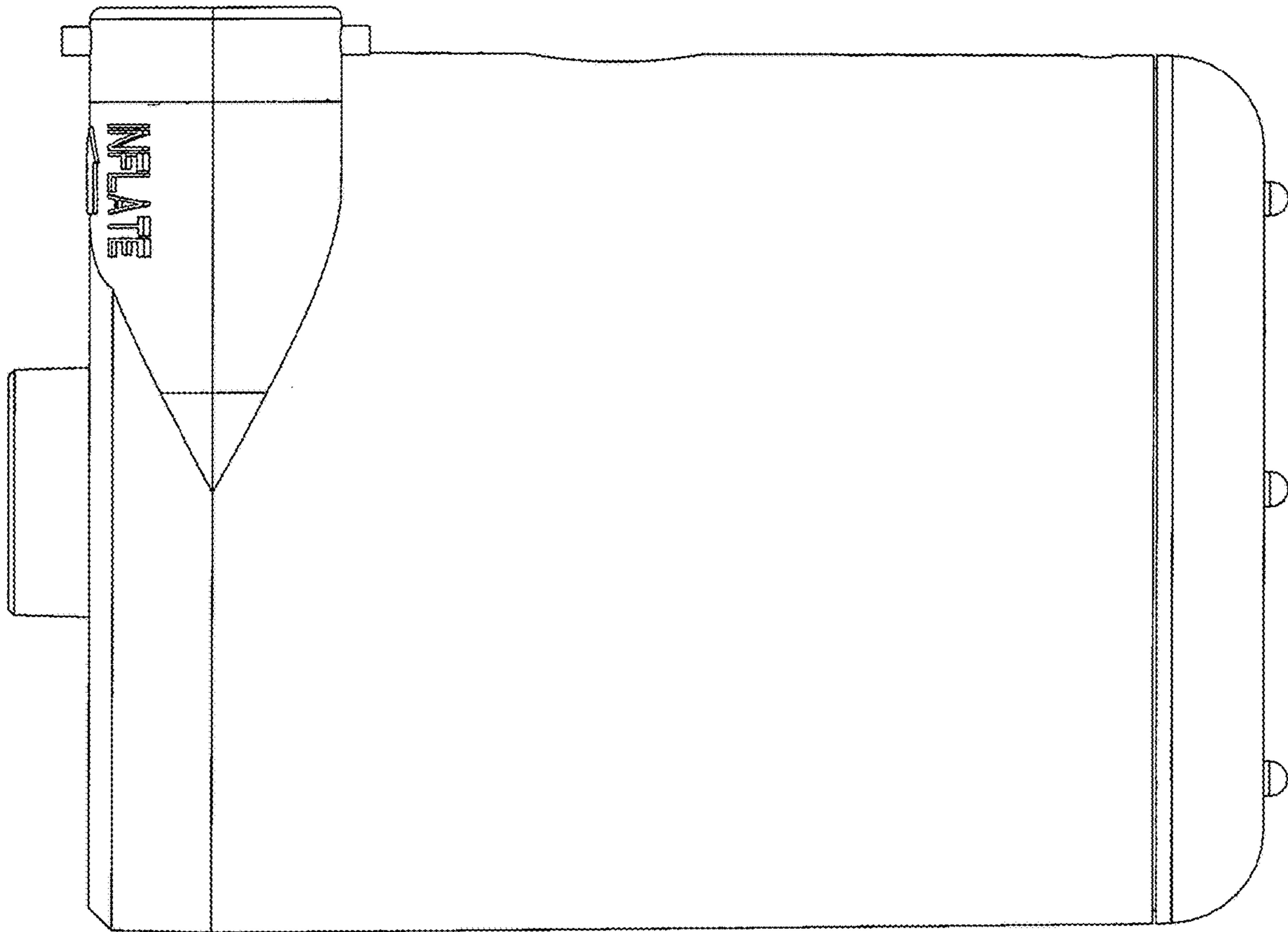


FIG.8