



US00D923056S

(12) **United States Design Patent**  
**Gernheuser et al.**

(10) **Patent No.:** **US D923,056 S**

(45) **Date of Patent:** **\*\* Jun. 22, 2021**

- (54) **FUEL PUMP ASSEMBLY** 7,398,769 B2 \* 7/2008 Athalye ..... B01D 35/26  
123/509
- (71) Applicant: **Carter Fuel Systems, LLC**, Cleveland, OH (US) D619,688 S \* 7/2010 Gismervik ..... D10/101  
D622,833 S \* 8/2010 Gismervik ..... D10/101  
7,800,883 B2 \* 9/2010 Nederegger ..... F02M 37/106  
123/509
- (72) Inventors: **Ryan Gernheuser**, Maumee, OH (US); 2007/0144608 A1 \* 6/2007 Nederegger ..... F02M 37/103  
**Michael McKee**, New Hudson, MI (US) 2011/0233122 A1 \* 9/2011 Choi ..... F02M 37/106  
141/198
- (73) Assignee: **Carter Fuel Systems LLC**, Cleveland, OH (US) 2015/0059709 A1 \* 3/2015 Oohashi ..... B60K 15/03  
123/509
- (\*\*) Term: **15 Years** 2017/0284418 A1 \* 10/2017 Hanby ..... F02M 37/0076  
2017/0314521 A1 \* 11/2017 Niwa ..... F02M 37/106  
2017/0328318 A1 \* 11/2017 Fukui ..... F02M 37/10
- (21) Appl. No.: **29/637,839** \* cited by examiner
- (22) Filed: **Feb. 22, 2018** *Primary Examiner* — Ania Aman
- (51) **LOC (13) Cl.** ..... **15-02** (74) *Attorney, Agent, or Firm* — Miller Canfield
- (52) **U.S. Cl.** (57) **CLAIM**  
USPC ..... **D15/7**  
The ornamental design for a fuel pump assembly, as shown and described.
- (58) **Field of Classification Search** (57) **CLAIM**  
USPC ..... D15/1–5, 7, 9, 7.1  
CPC ..... F02M 37/103; F02M 37/106; F02M 37/10  
See application file for complete search history.

(56) **References Cited**

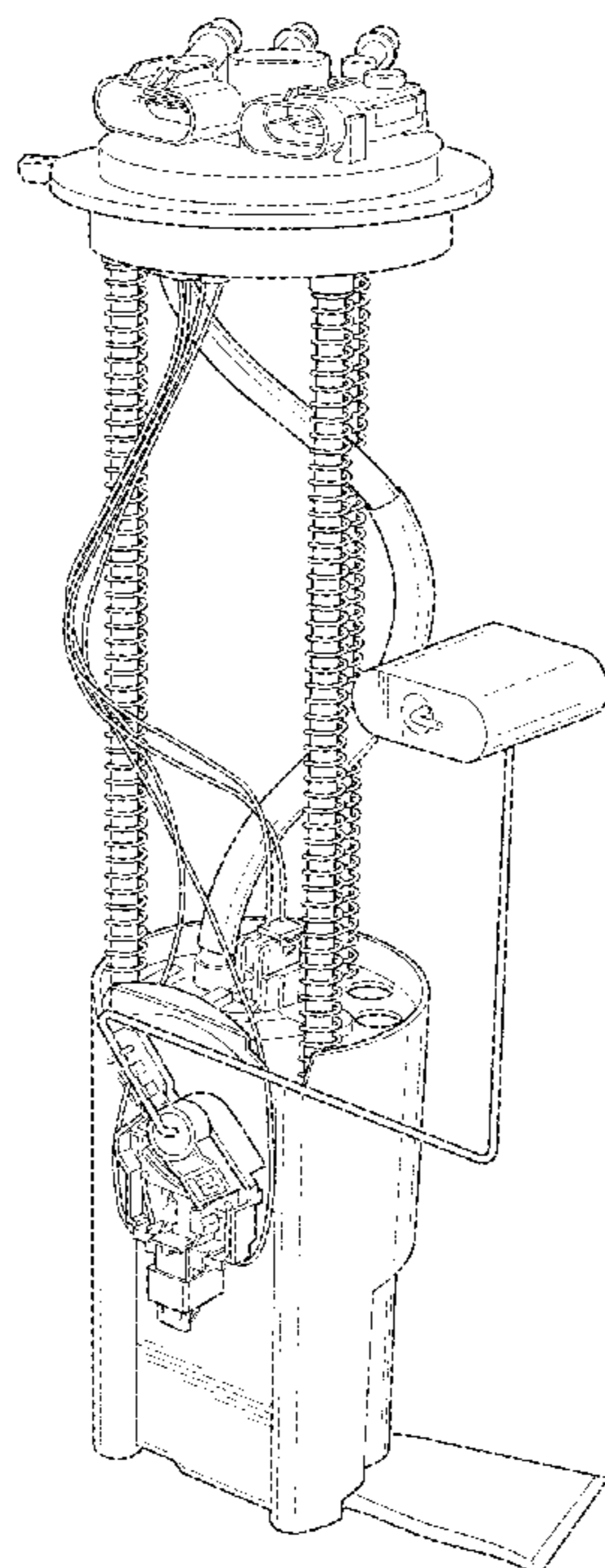
**U.S. PATENT DOCUMENTS**

- 4,945,884 A \* 8/1990 Coha ..... F02M 37/103  
123/509
- 5,329,899 A \* 7/1994 Sawert ..... F02M 37/0017  
123/198 DB
- 5,398,659 A \* 3/1995 Zimmerman ..... F02M 37/106  
123/514
- 6,149,399 A \* 11/2000 Bowser ..... F02M 37/10  
123/509
- 6,305,417 B1 \* 10/2001 Kleppner ..... F02M 37/106  
123/509

**DESCRIPTION**

FIG. 1 is a top front perspective view of the fuel pump assembly showing our new design;  
 FIG. 2 is a front perspective view thereof;  
 FIG. 3 is a left side perspective side view thereof;  
 FIG. 4 is a rear perspective side view thereof;  
 FIG. 5 is a top perspective view thereof; and,  
 FIG. 6 is a bottom perspective view thereof.  
 In FIGS. 6, the broken lines are included for the purpose of illustrating portions of the design that form no part of the claimed design.

**1 Claim, 5 Drawing Sheets**



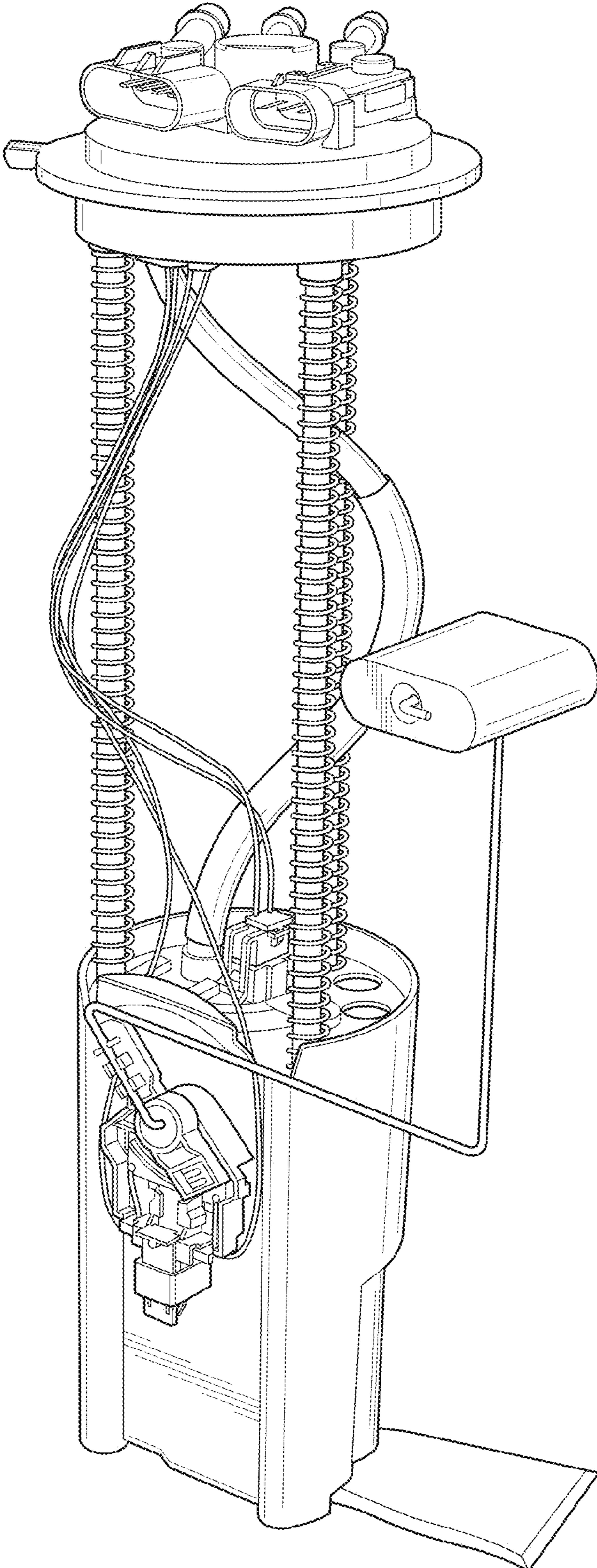


FIG. 1

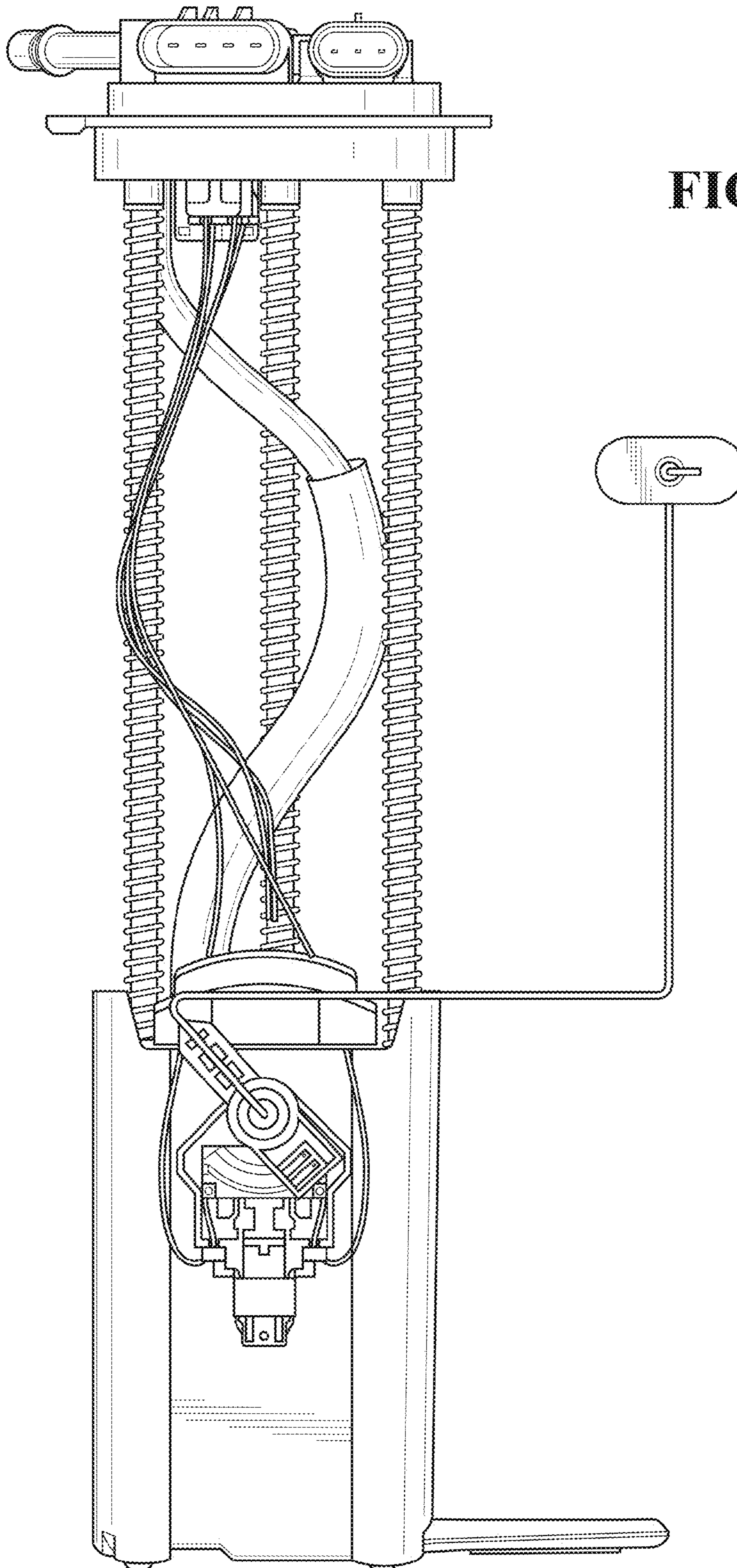


FIG. 2

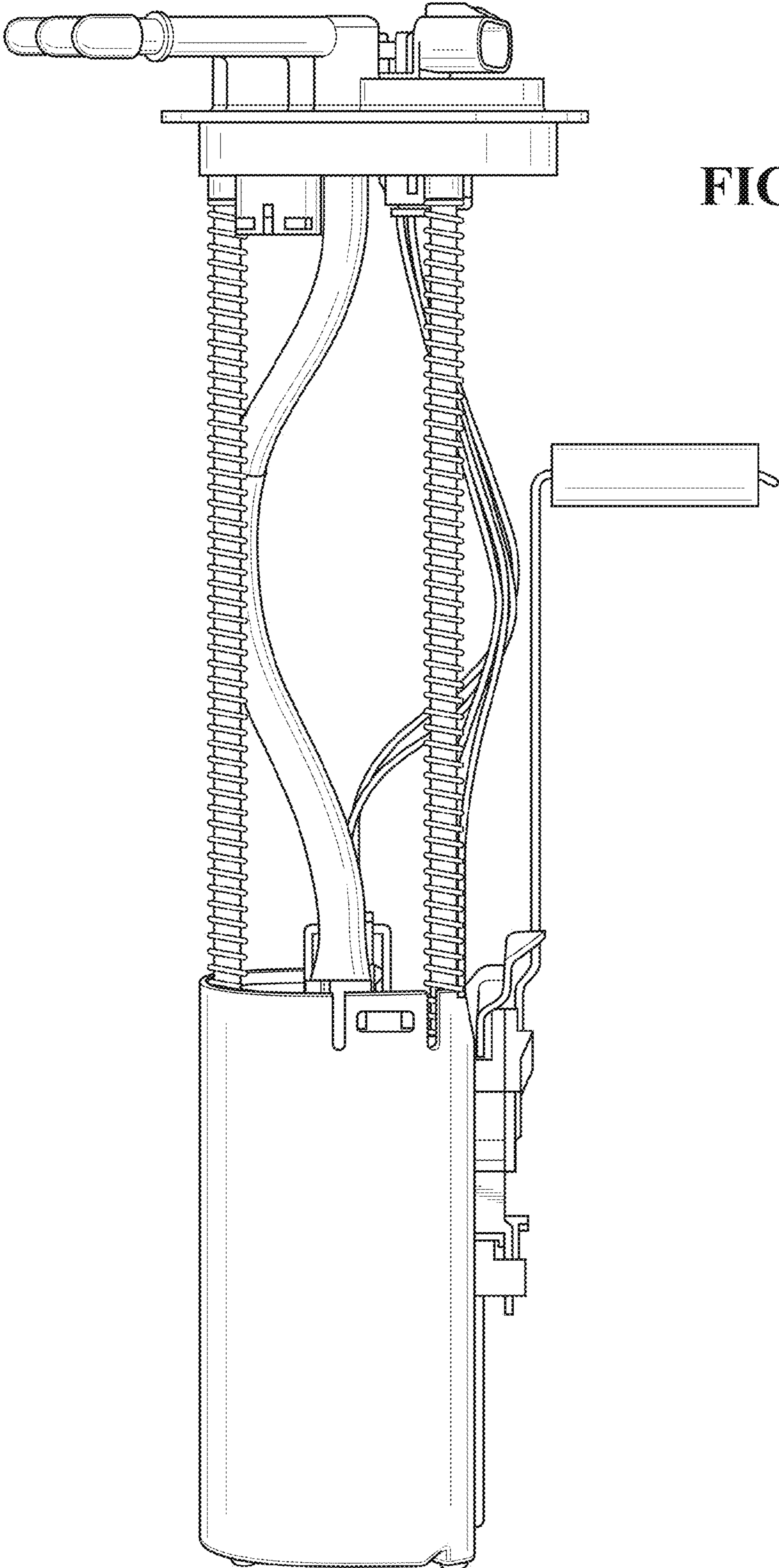


FIG. 3

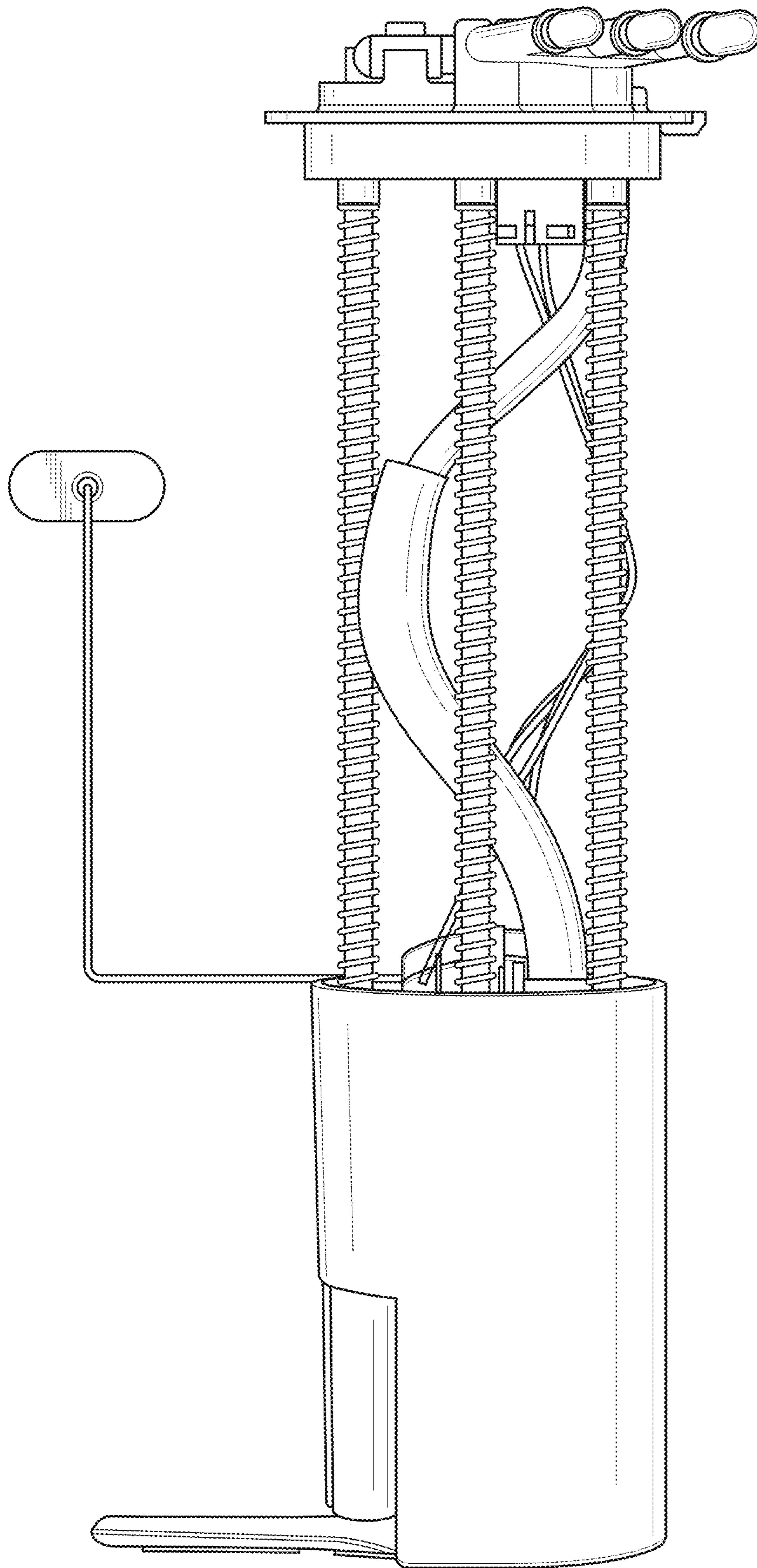


FIG. 4

FIG. 5

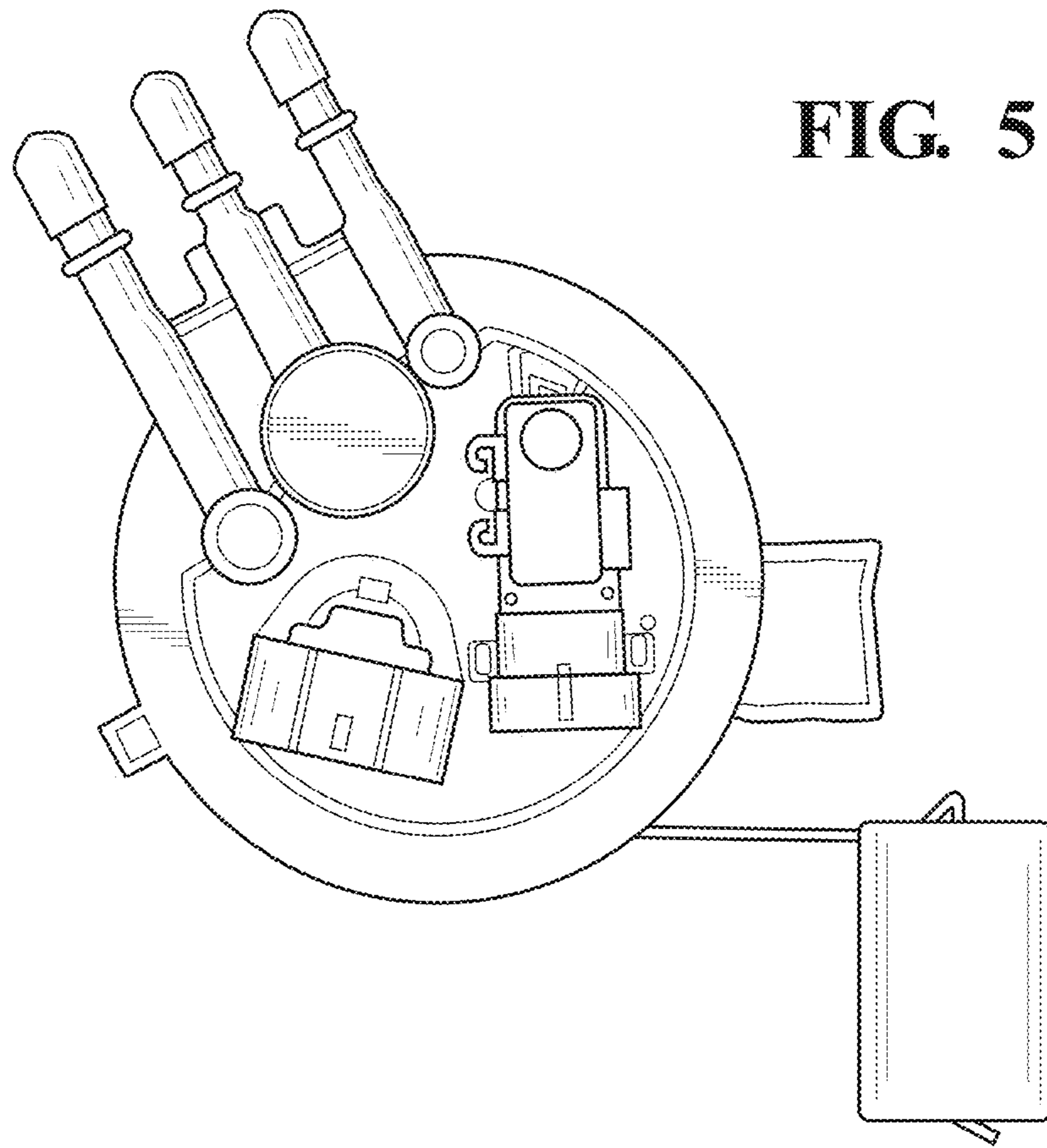


FIG. 6

