



US00D923055S

(12) **United States Design Patent** (10) **Patent No.:** **US D923,055 S**
Wegner et al. (45) **Date of Patent:** **** Jun. 22, 2021**

(54) **ENGINE INCORPORATING OVERHEAD VALVE COVER**

Primary Examiner — Mark A Goodwin
(74) *Attorney, Agent, or Firm* — The Belles Group, P.C.

(71) Applicant: **Kohler Co.**, Kohler, WI (US)
(72) Inventors: **Brett Wegner**, Glenbeulah, WI (US);
Eric B. Hudak, Sheboygan, WI (US);
Kenneth S. Hanna, Bellingham, WA (US);
Mark J. Huibregtse, Elkhart Lake, WI (US); **David Schultz**, Manitowoc, WI (US)

(57) **CLAIM**

The ornamental design for an engine incorporating an overhead valve cover, as shown and described.

(73) Assignee: **Kohler Co.**

(**) Term: **15 Years**

(21) Appl. No.: **29/766,815**

(22) Filed: **Jan. 19, 2021**

Related U.S. Application Data

(62) Division of application No. 29/640,416, filed on Mar. 14, 2018, now Pat. No. Des. 911,391.

(51) **LOC (13) Cl.** **15-01**

(52) **U.S. Cl.**
USPC **D15/5**

(58) **Field of Classification Search**

USPC D15/1-6, 14, 9.1, 12, 17, 28, 149;
123/22.41, 34, 51 A, 606 R, 52.1, 50 A,
123/50 B, 54.1, 54.2, 54.4, 54.5, 65 R,
123/195 R, 195 HC, 657, 311; D18/24,
D18/30
CPC F02B 2075/027; F02B 2075/1816; F02B
2075/025; F02B 2075/1808; F02B 75/20;
F02B 75/22; F02B 2275/18; F02B
2275/20; F02B 77/13; F02B 77/00; F02B
63/04

See application file for complete search history.

DESCRIPTION

FIG. 1 is a front-right top perspective view of an engine incorporating an overhead valve cover according to the new design;

FIG. 2 is a close-up view of area II of FIG. 1;

FIG. 3 is a front-left top perspective view thereof;

FIG. 4 is a close-up view of area IV of FIG. 3;

FIG. 5 is a rear-left top perspective view thereof;

FIG. 6 is a rear-right top perspective view thereof;

FIG. 7 is a front-right bottom perspective view thereof;

FIG. 8 is a close-up view of area VIII of FIG. 7;

FIG. 9 is a front-left bottom perspective view thereof;

FIG. 10 is a close-up view of area X of FIG. 9;

FIG. 11 is a rear-left bottom perspective view thereof;

FIG. 12 is a rear-right bottom perspective view thereof;

FIG. 13 is a front plan view thereof;

FIG. 14 is a close-up view of area XIV of FIG. 13;

FIG. 15 is a rear plan view thereof;

FIG. 16 is a right-side plan view thereof;

FIG. 17 is a left-side plan view thereof;

FIG. 18 is a top plan view thereof; and,

FIG. 19 is a bottom plan view thereof.

The dashed lines of equal length in FIGS. 1-19 are for environmental purposes only and form no part of the claimed design. The dashed lines of unequal length in FIGS. 1-4, 7-10, 13, and 14 represent an unclaimed boundary.

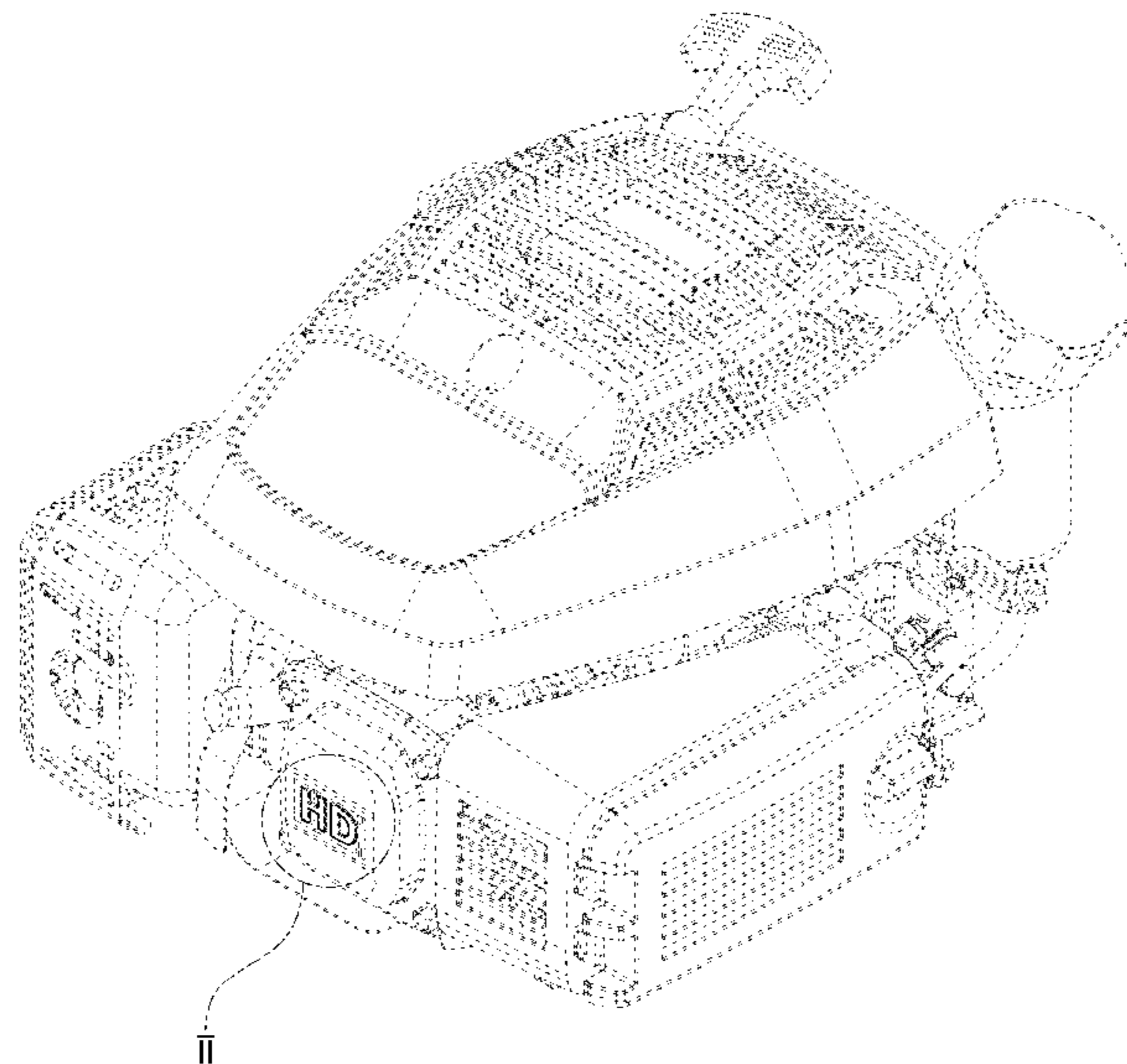
(56) **References Cited**

U.S. PATENT DOCUMENTS

D97,155 S * 10/1935 Chernow D18/24
D97,432 S * 11/1935 Chernow D18/24
D97,840 S * 12/1935 Chernow D18/24

(Continued)

1 Claim, 19 Drawing Sheets



ii

(56)

References Cited

U.S. PATENT DOCUMENTS

3,822,487	A *	7/1974	Koch	A63F 9/0098	D721,423	S	1/2015	Jacques et al.
					434/172	D733,186	S	6/2015	Bink et al.
D379,995	S	6/1997	Gilmore			D733,187	S	6/2015	Bink et al.
D396,045	S	7/1998	Neeley			D733,762	S	7/2015	Bink et al.
D428,074	S *	7/2000	Bitton	D18/24	D735,762	S	8/2015	Andren et al.
D487,700	S	3/2004	Bourque et al.			D735,763	S	8/2015	Andren et al.
D527,022	S	8/2006	Walters			D735,764	S	8/2015	Andren et al.
D594,878	S	6/2009	Post et al.			D735,765	S	8/2015	Andren et al.
7,594,484	B2	9/2009	Lavender et al.			D735,767	S	8/2015	Andren et al.
D615,557	S	5/2010	Mayer et al.			D735,768	S	8/2015	Andren et al.
D655,310	S	3/2012	Tiefenthaler et al.			D736,264	S	8/2015	Andren et al.
D665,426	S	8/2012	Tiefenthaler			D742,922	S	11/2015	Andren et al.
D667,464	S	9/2012	Tiefenthaler			D742,923	S	11/2015	Andren et al.
D687,709	S	8/2013	Taylor			D742,924	S	11/2015	Andren et al.
D692,049	S *	10/2013	Masamoto	D18/24	D784,413	S	4/2017	Thorn et al.
8,746,485	B1	6/2014	Tiefenthaler			D787,558	S	5/2017	Thorn et al.
						D795,298	S	8/2017	Hanna et al.
						2006/0124644	A1	6/2006	Dehn
						2010/0089919	A1	4/2010	Dunkle et al.

* cited by examiner

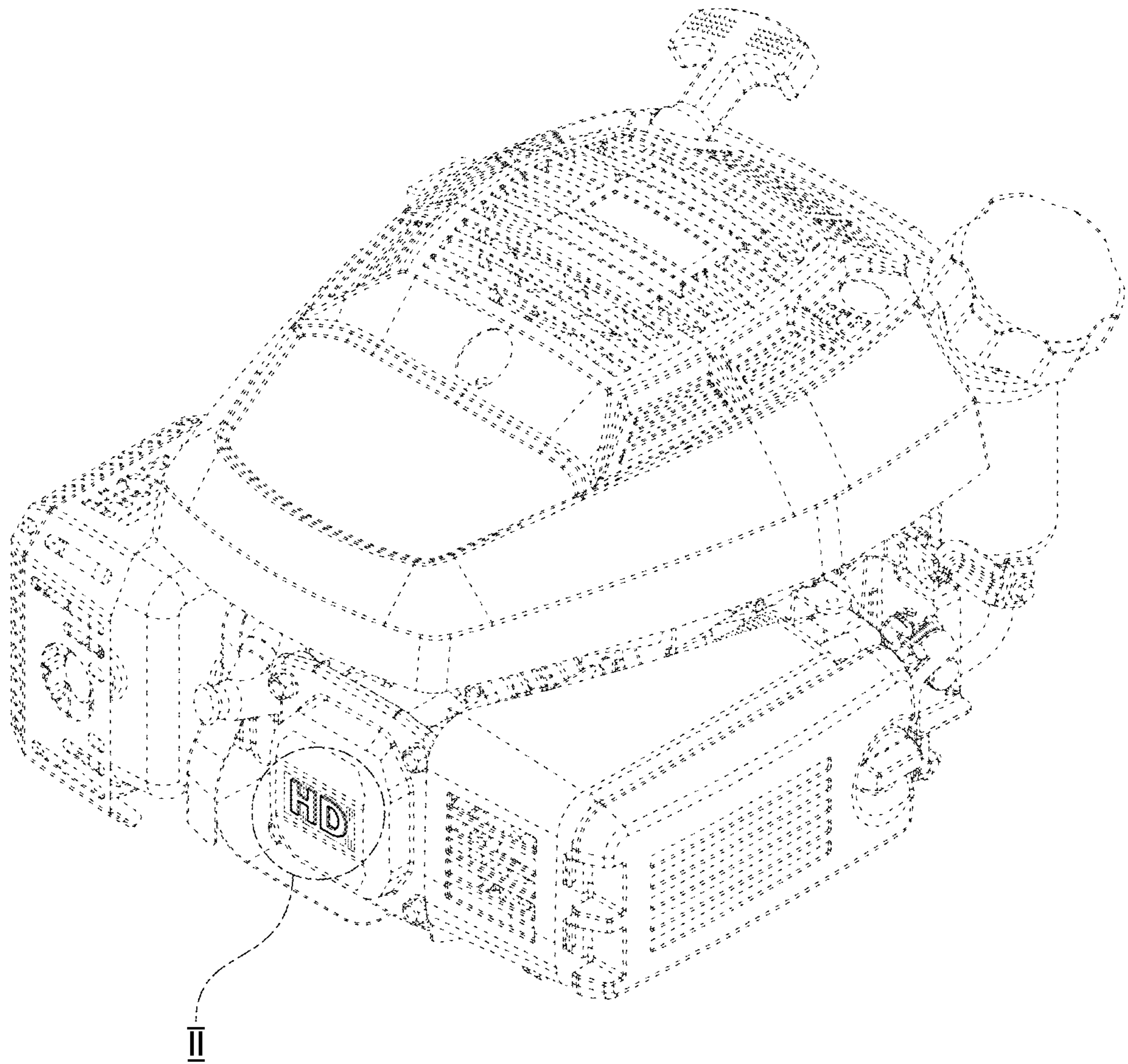


FIG. 1

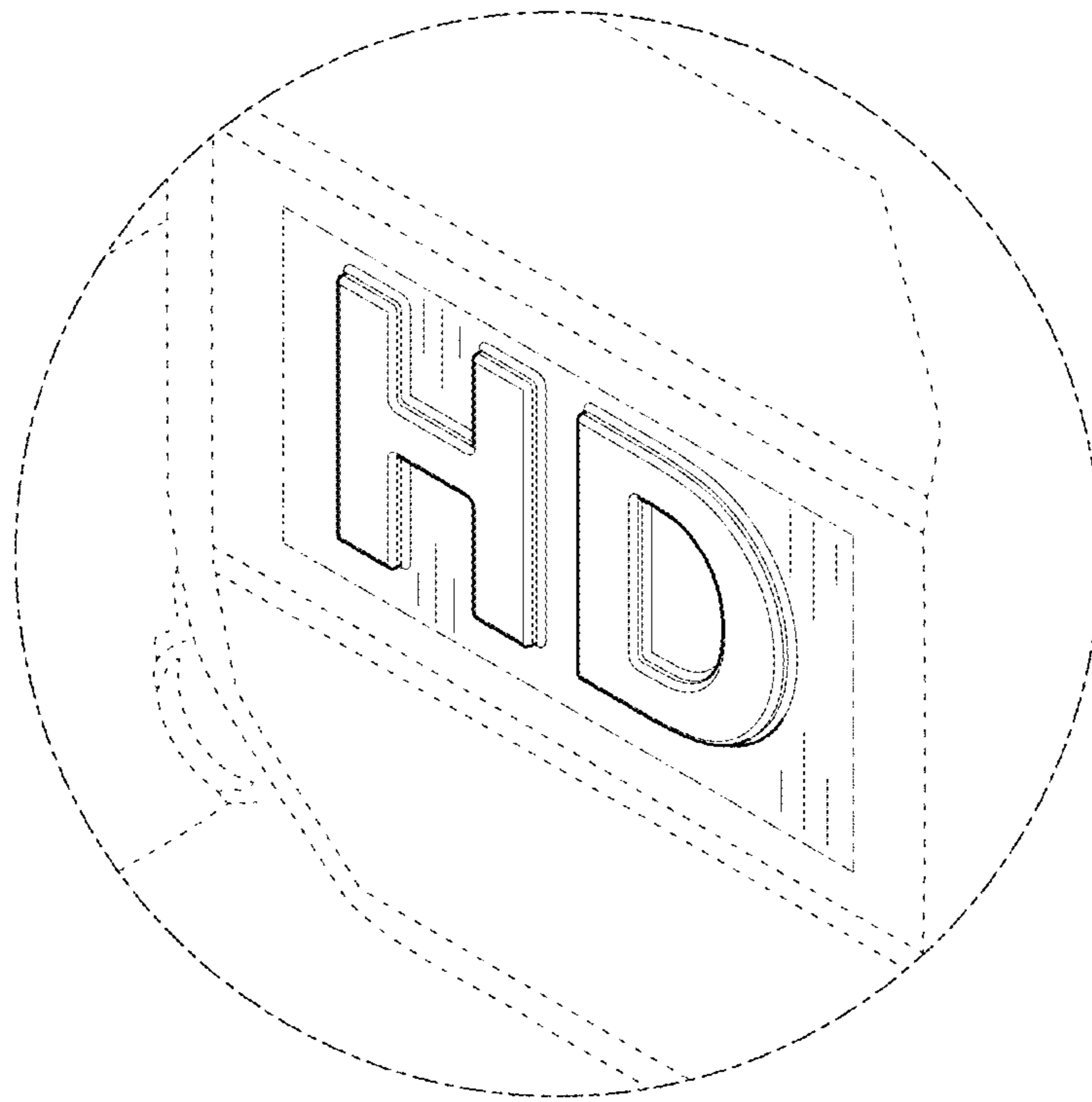


FIG. 2

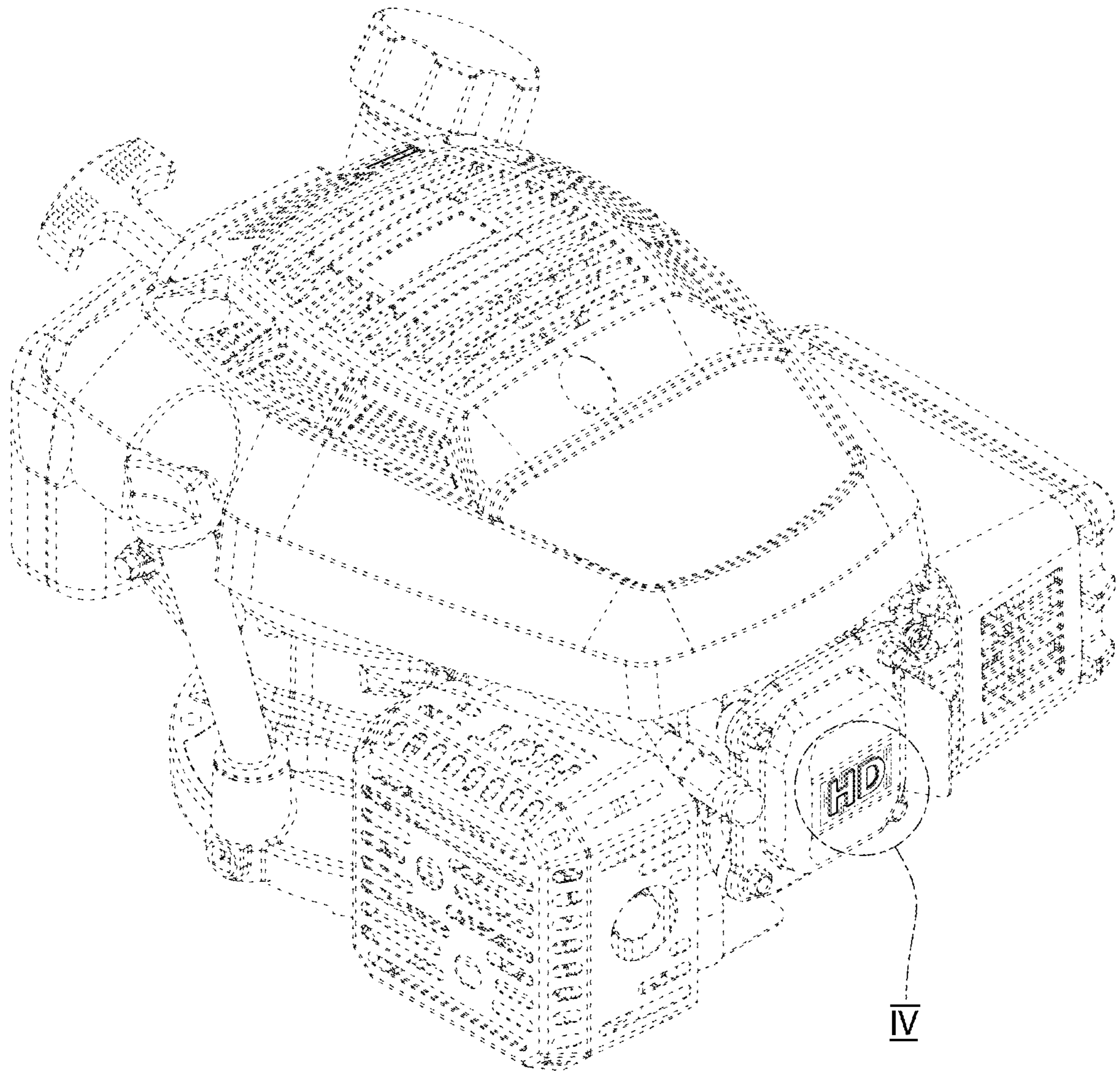


FIG. 3

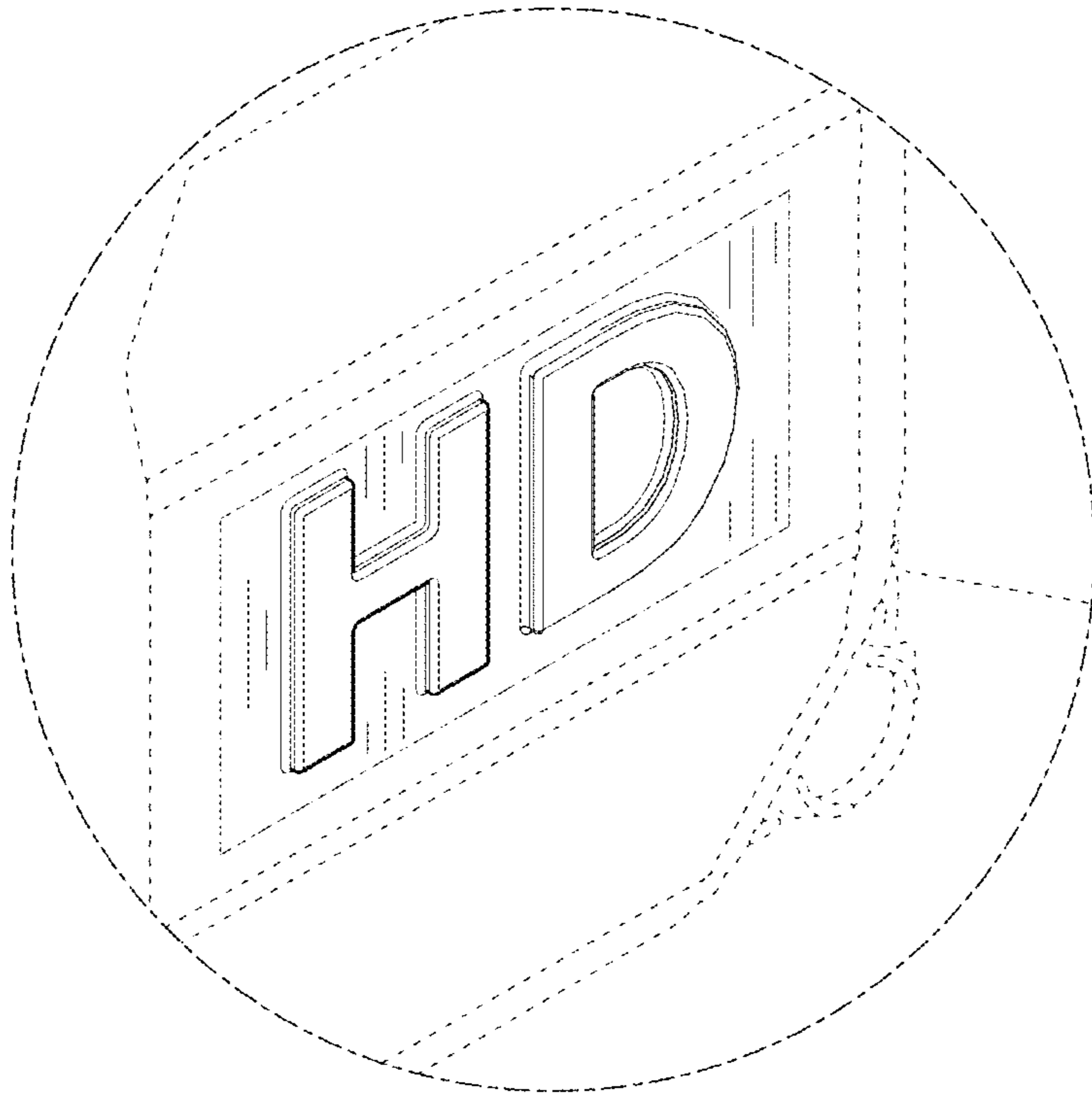


FIG. 4

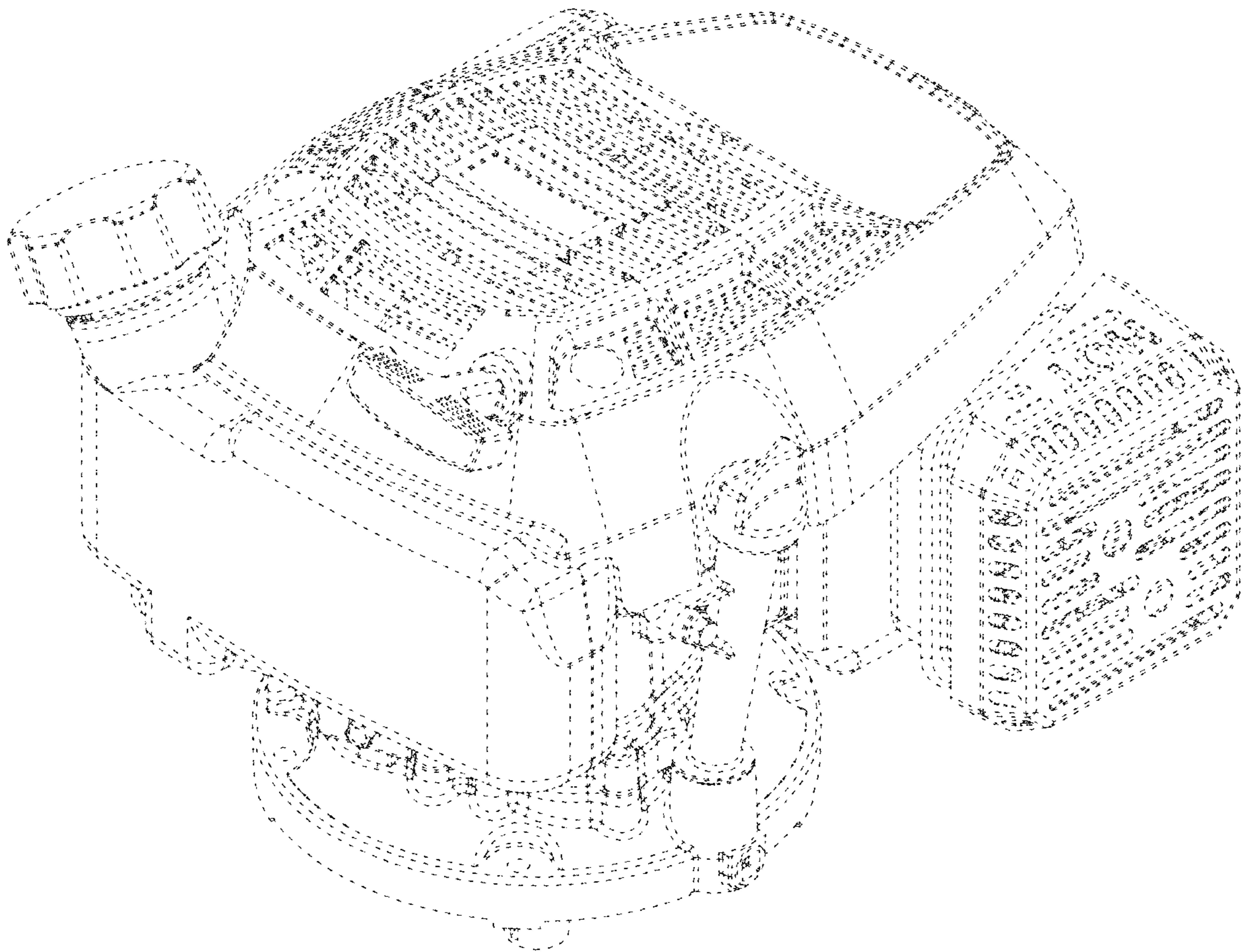


FIG. 5

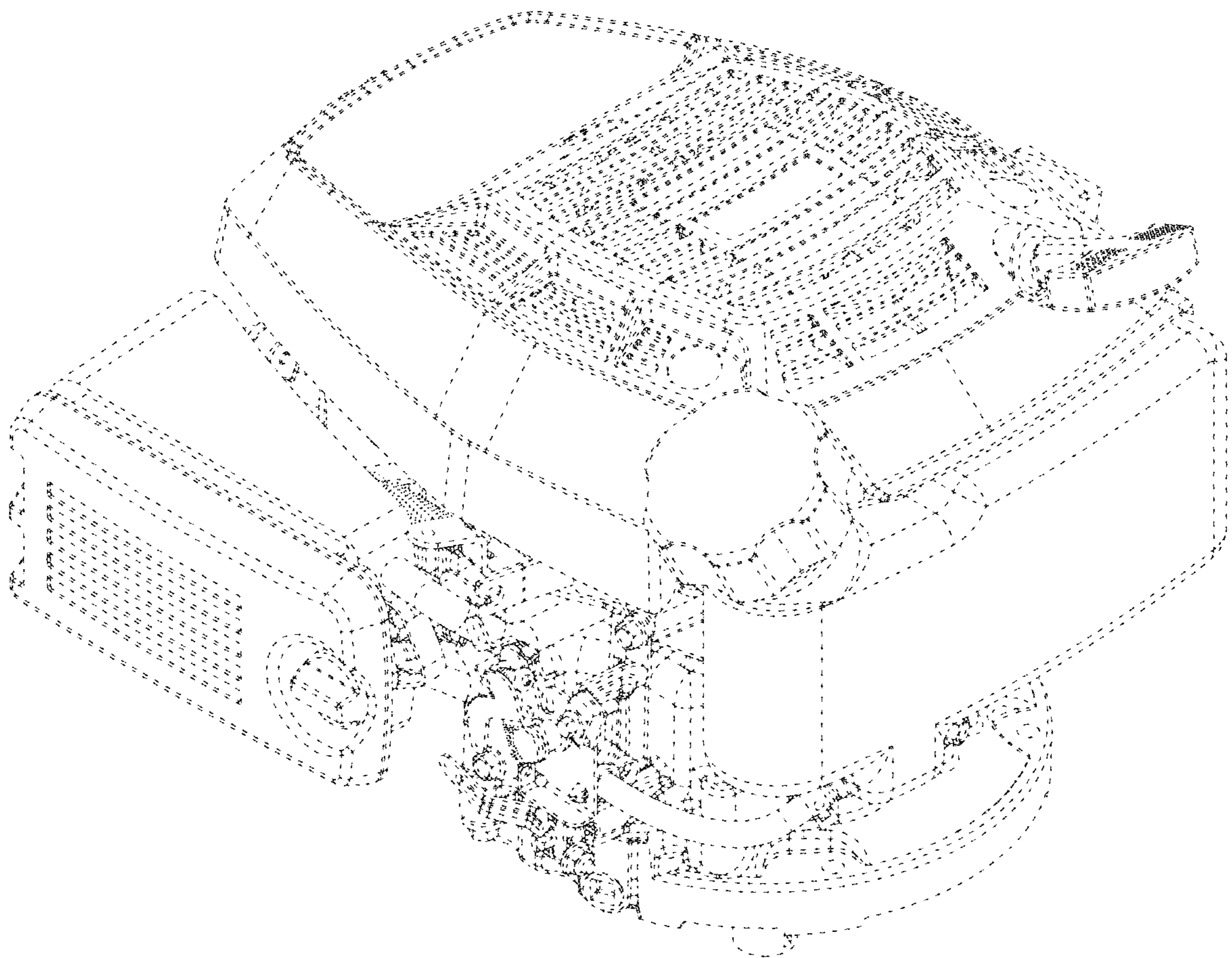


FIG. 6

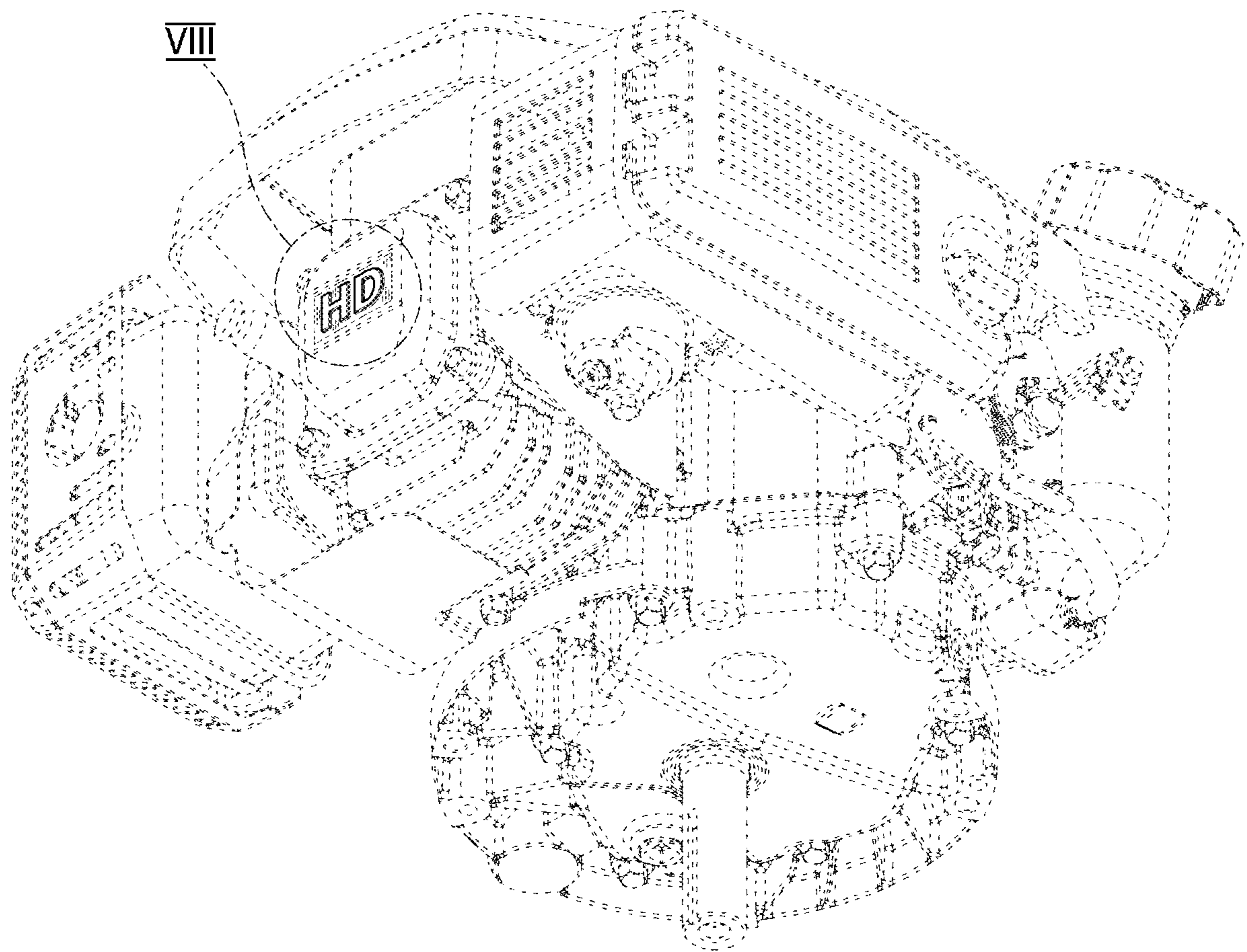


FIG. 7

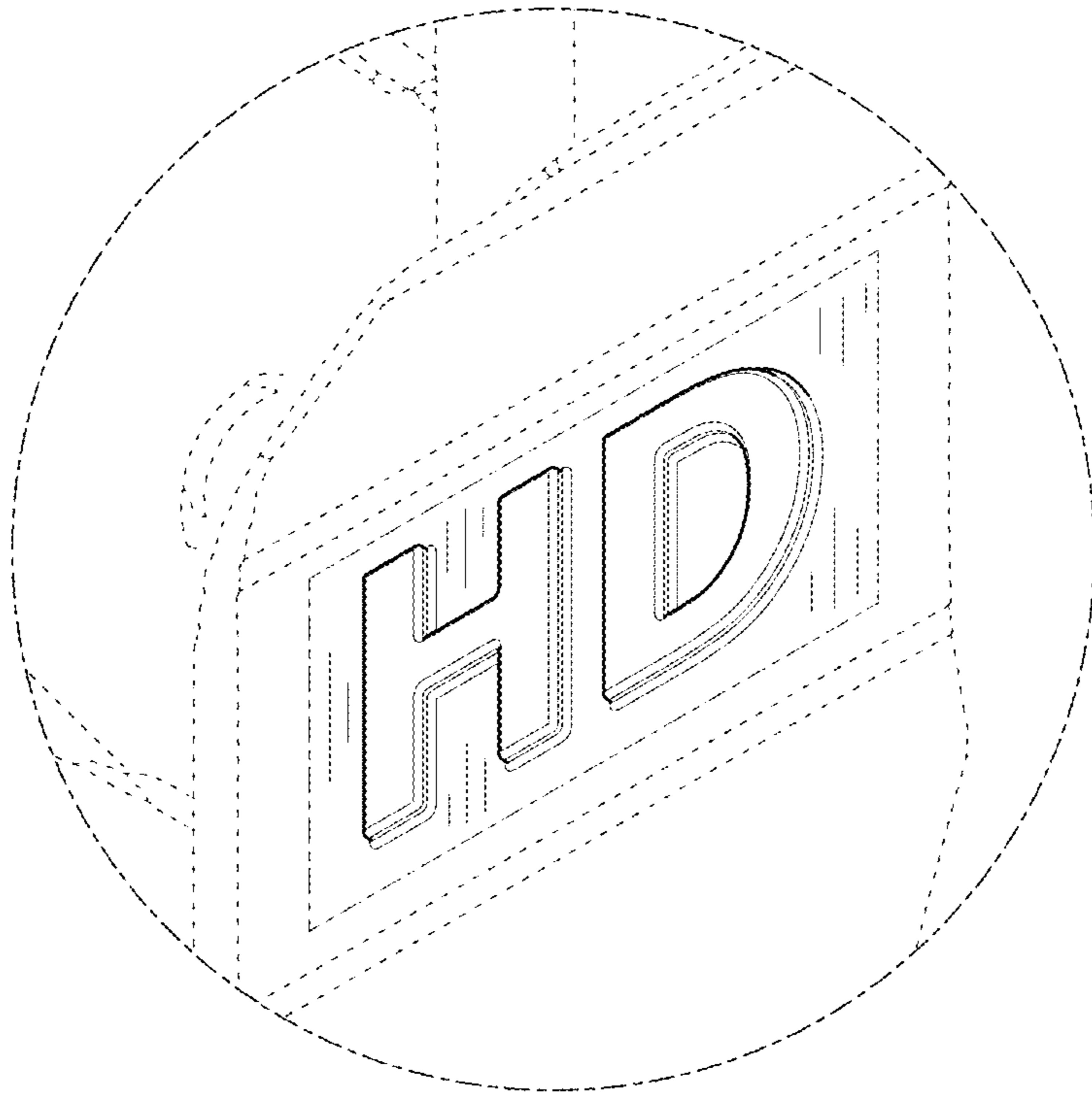


FIG. 8

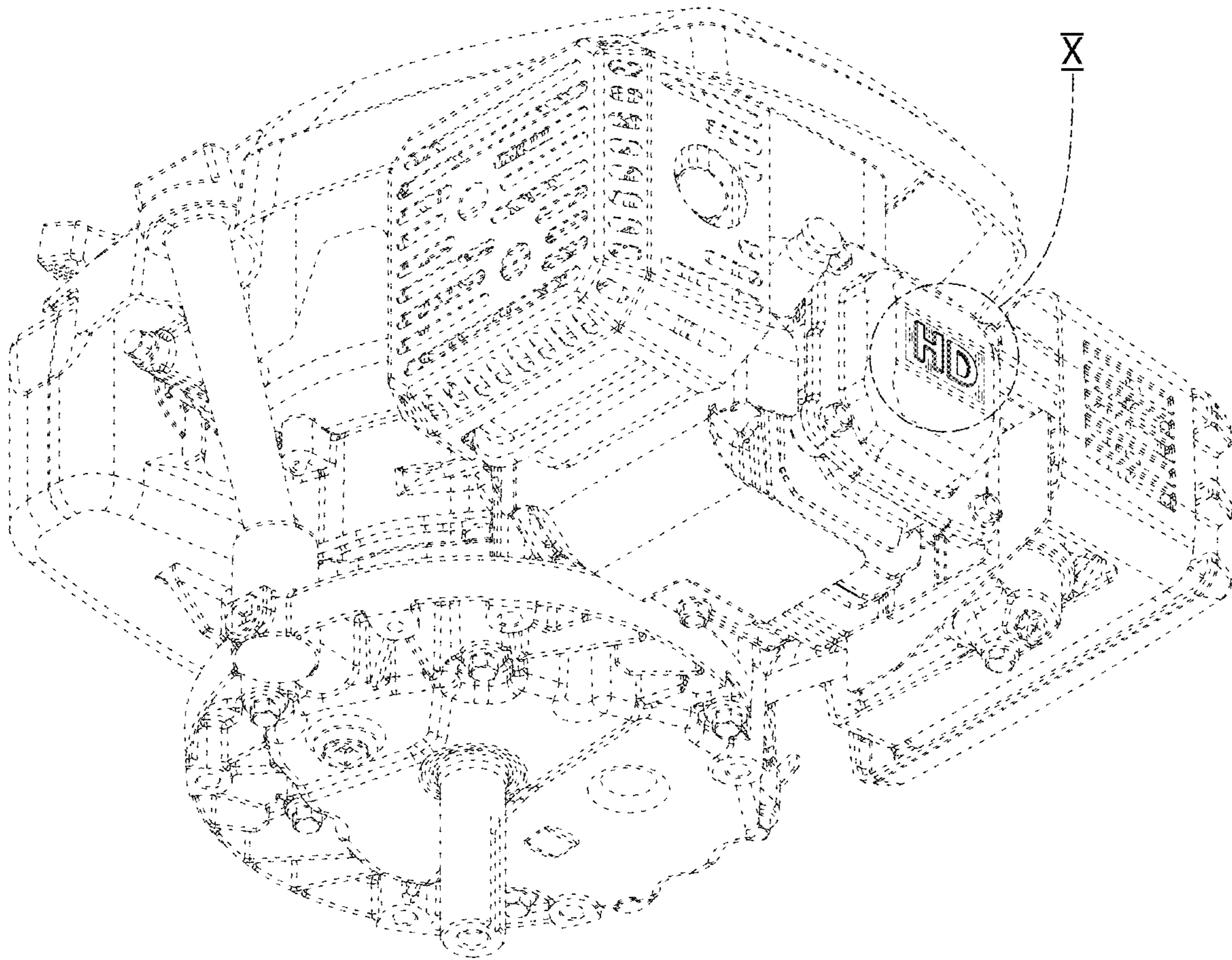


FIG. 9

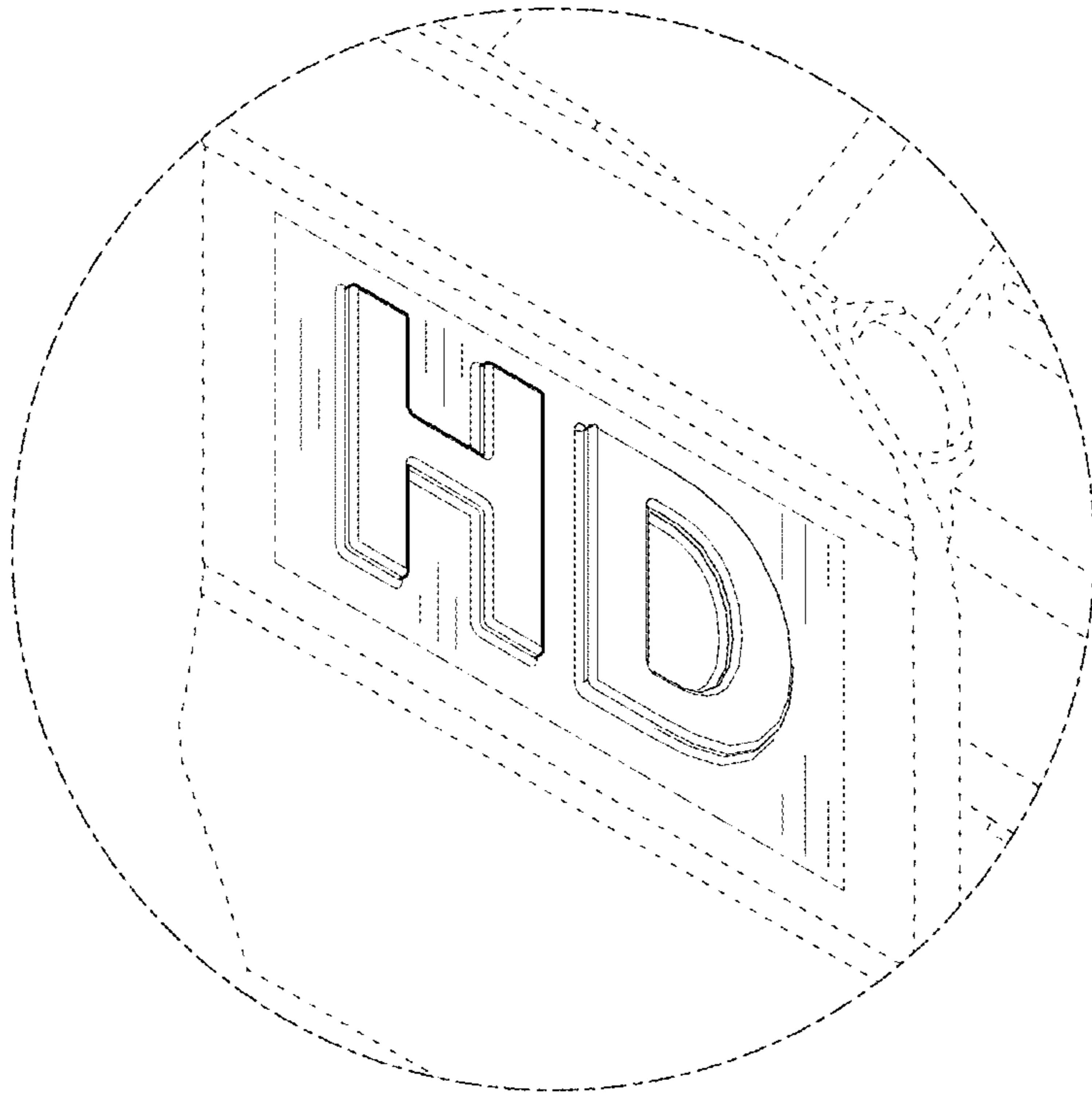


FIG. 10

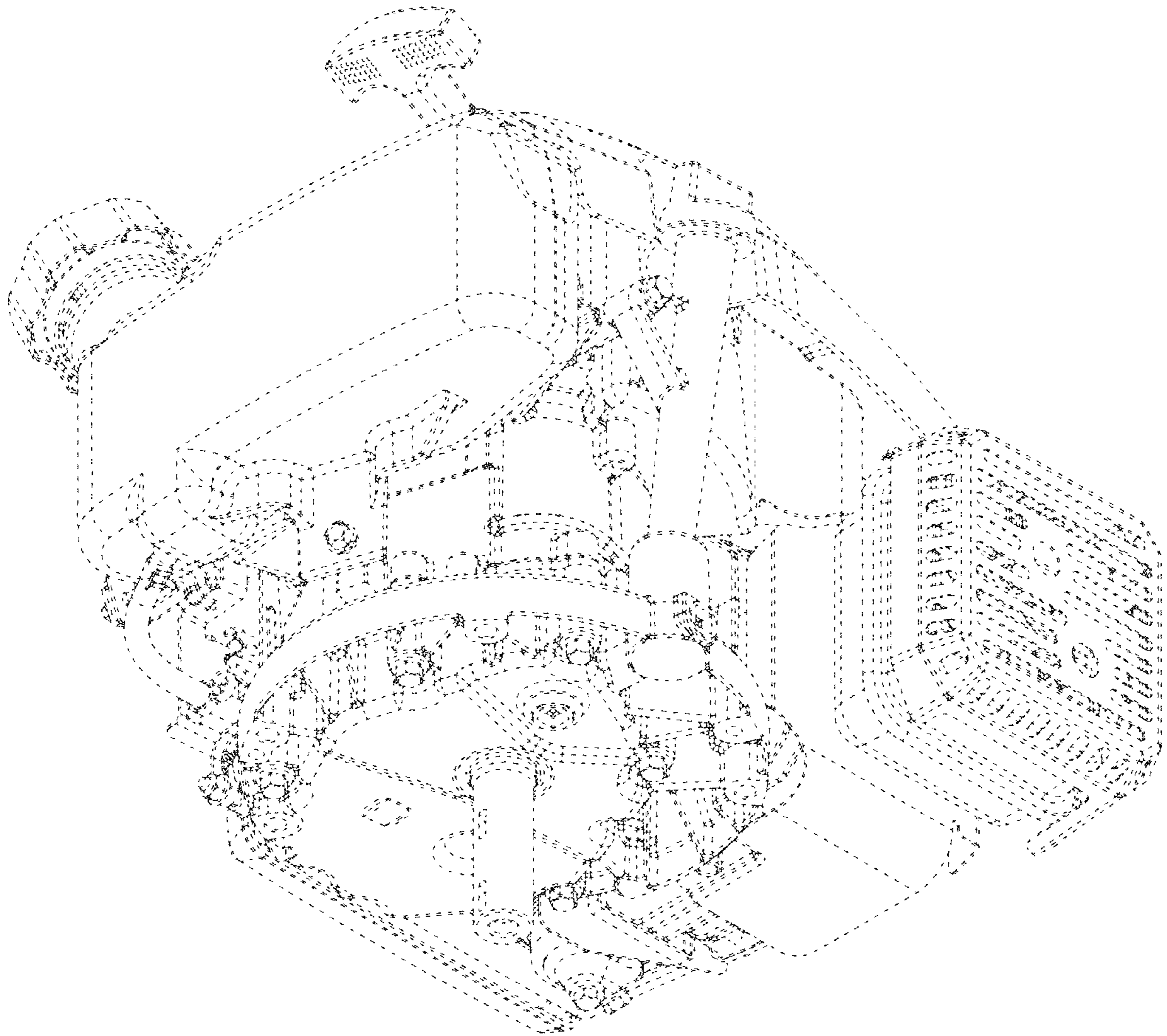


FIG. 11

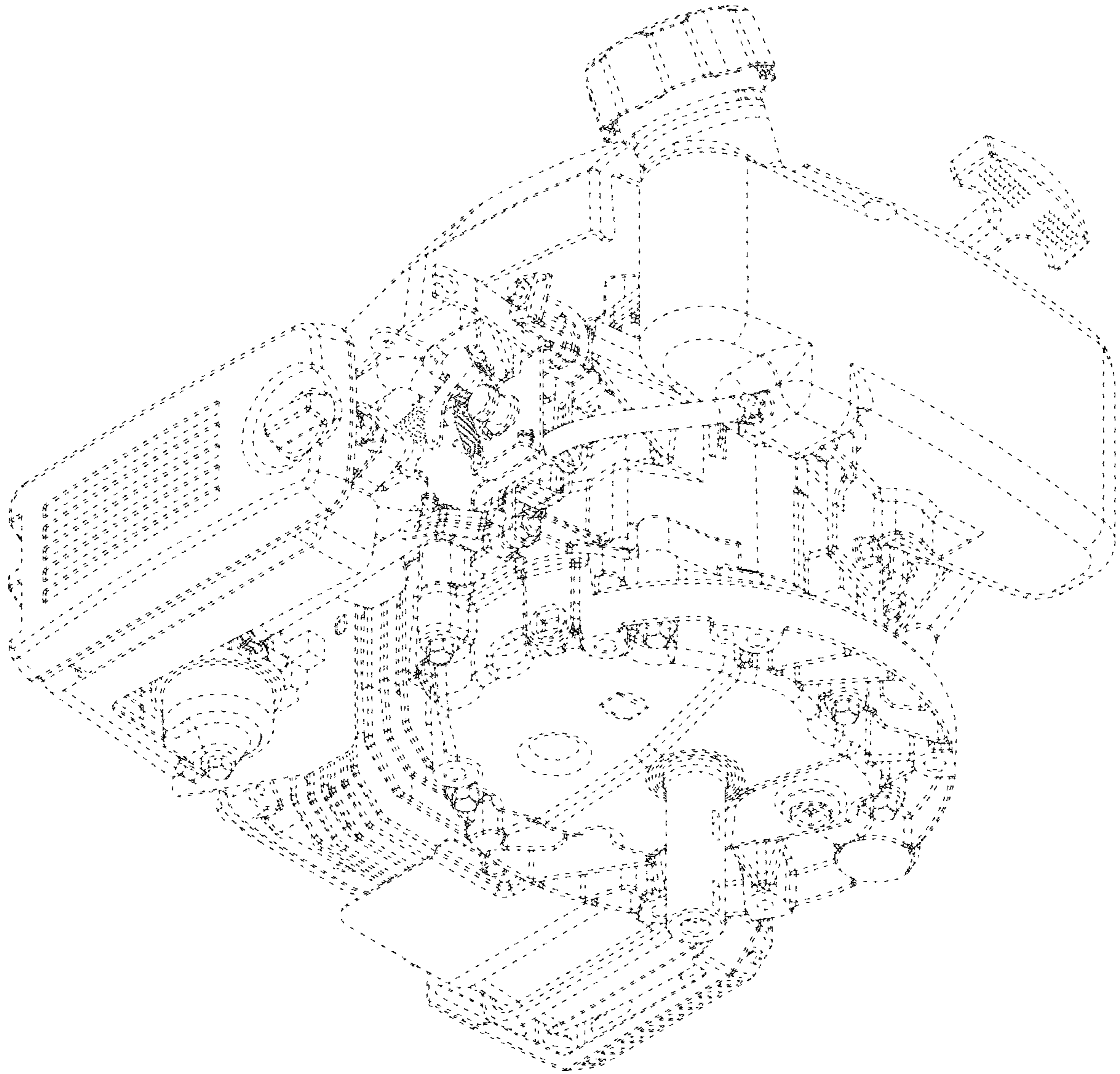


FIG. 12

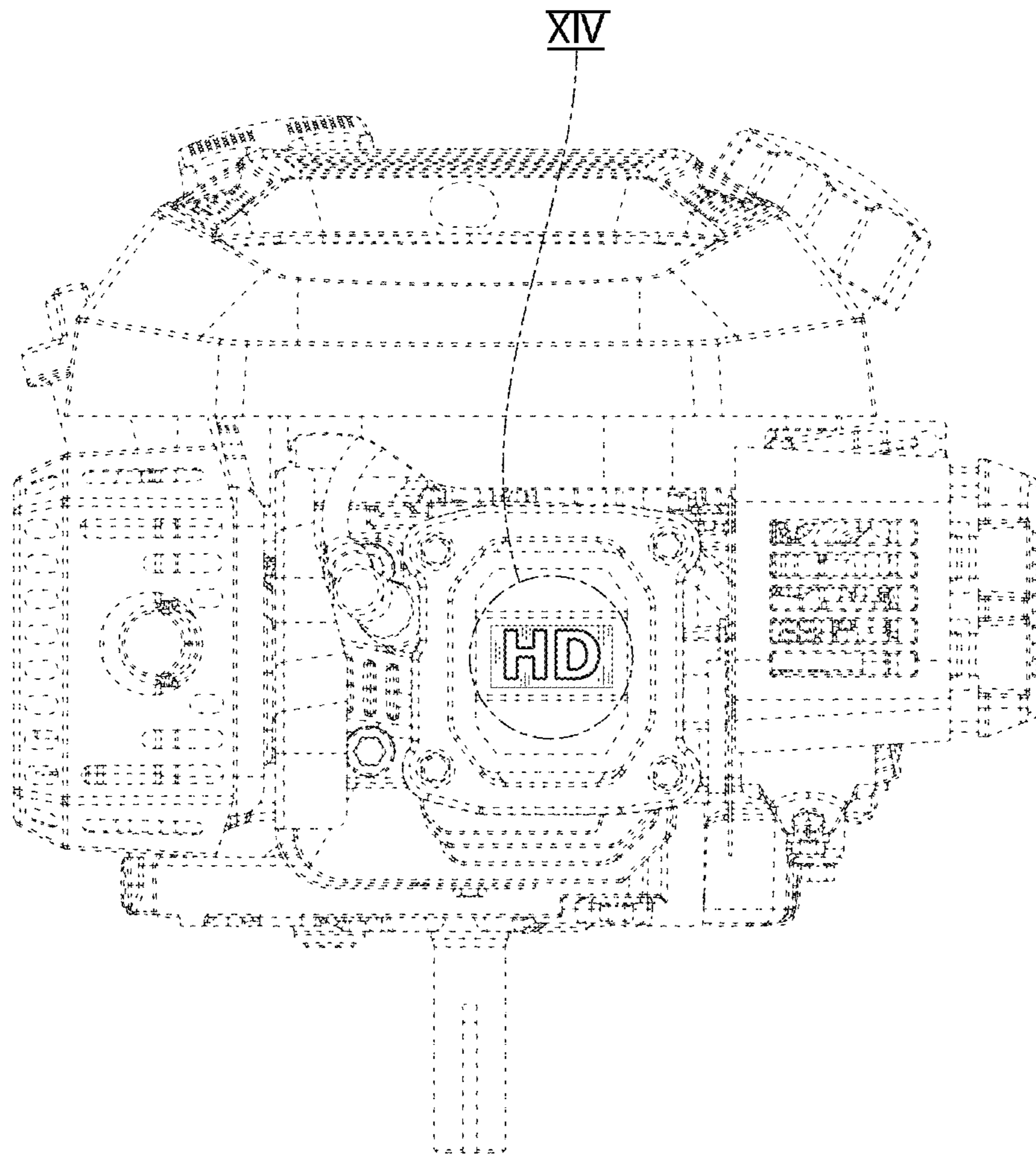


FIG. 13

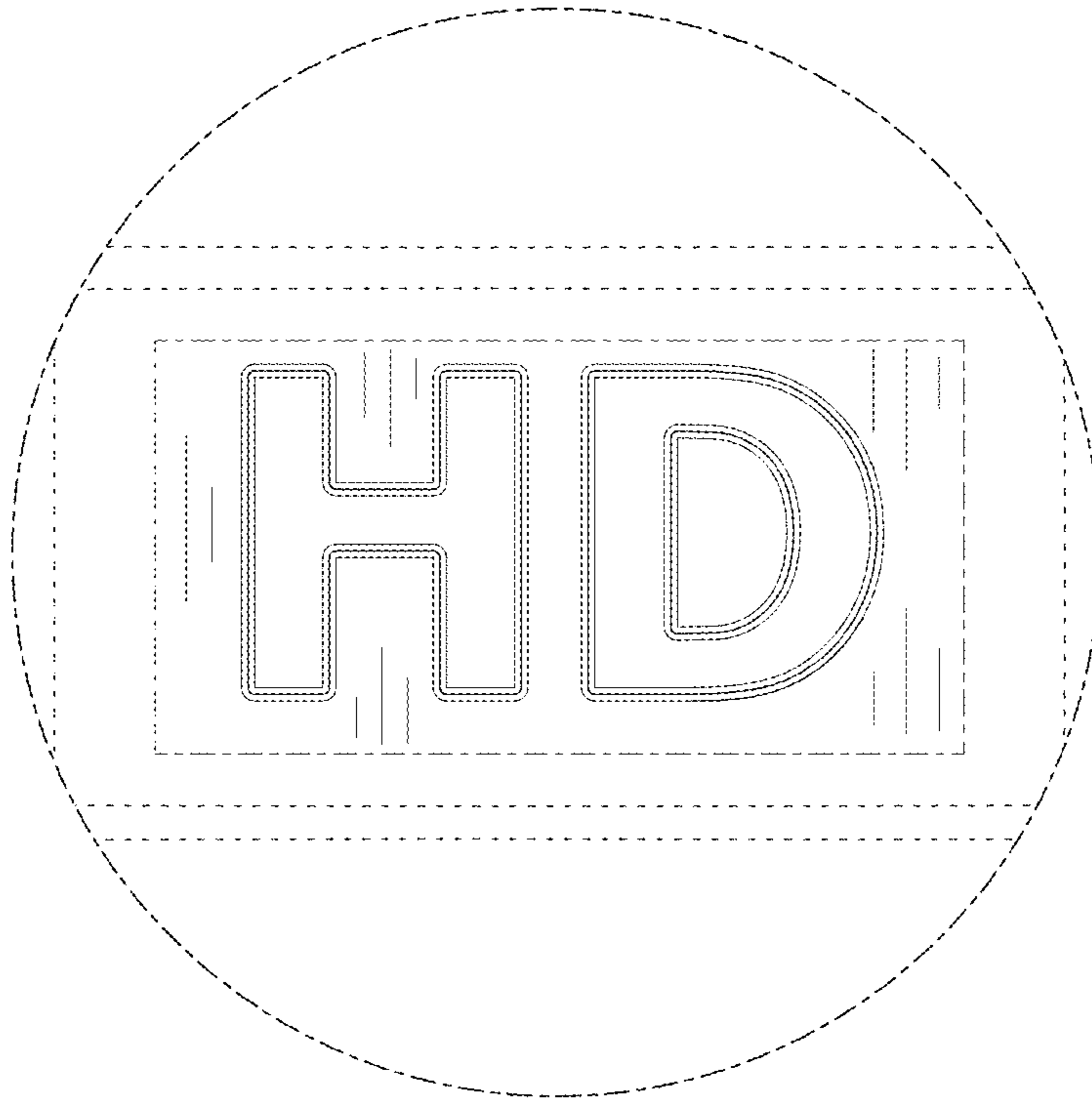


FIG. 14

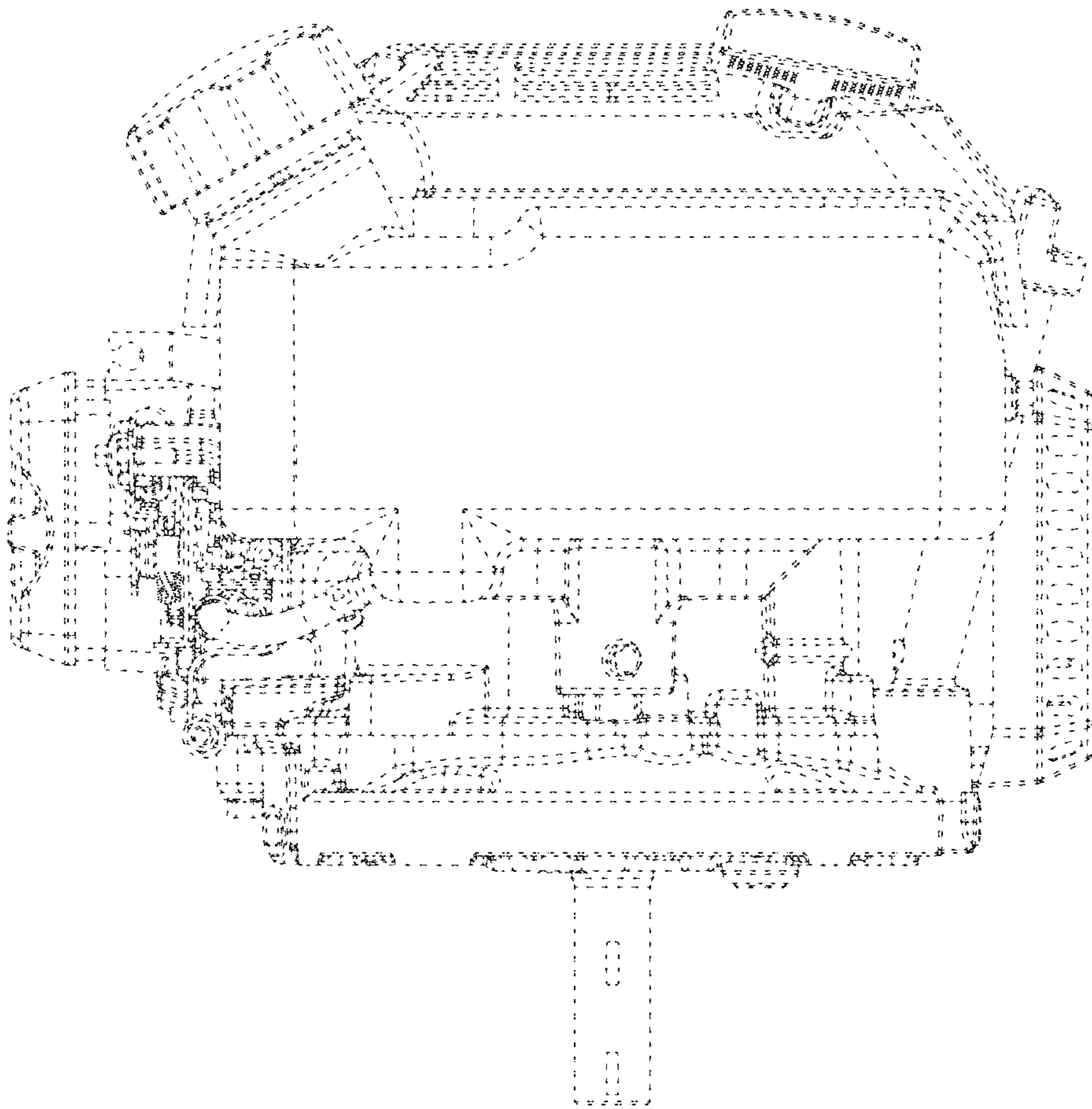


FIG. 15

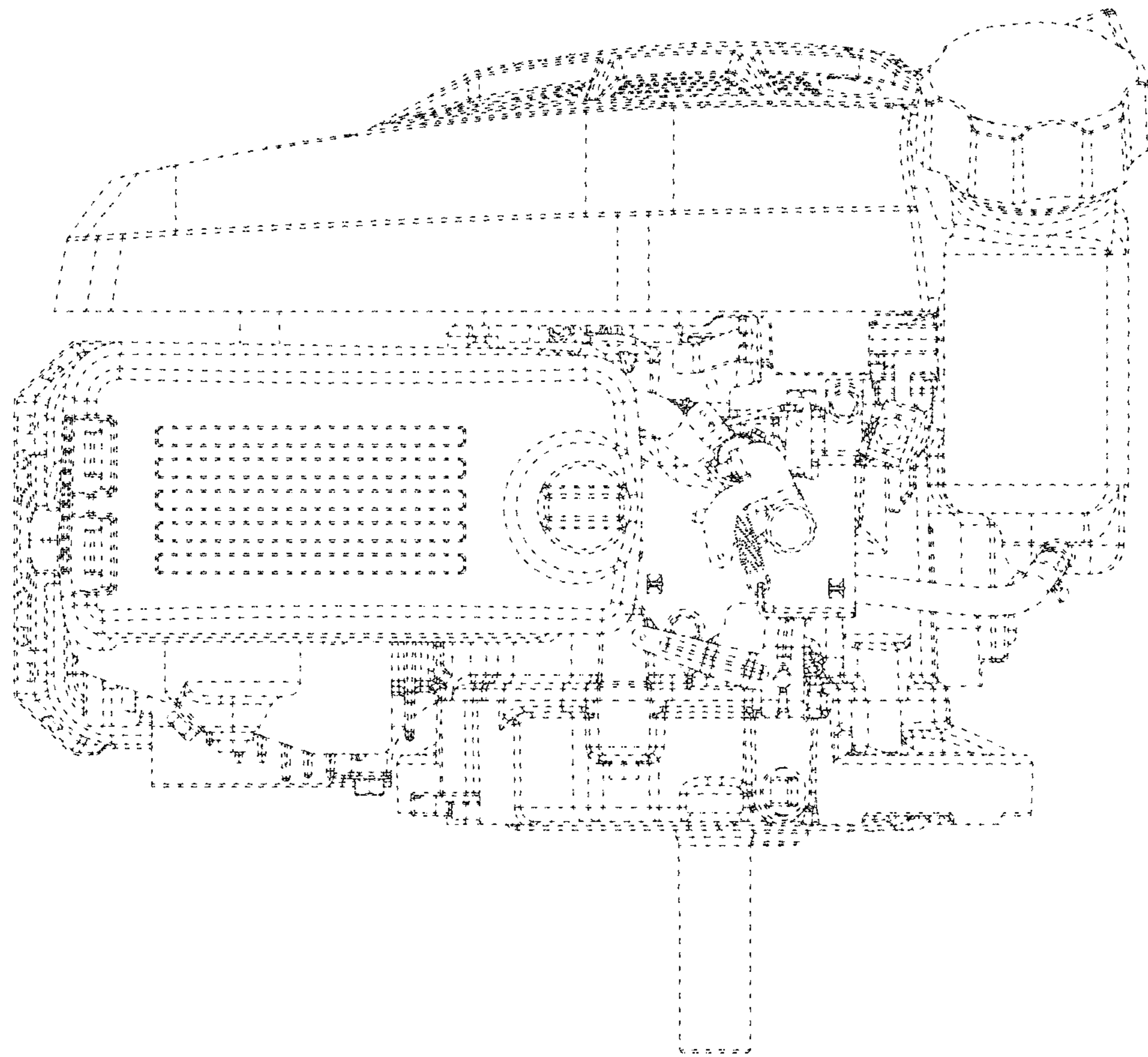


FIG. 16

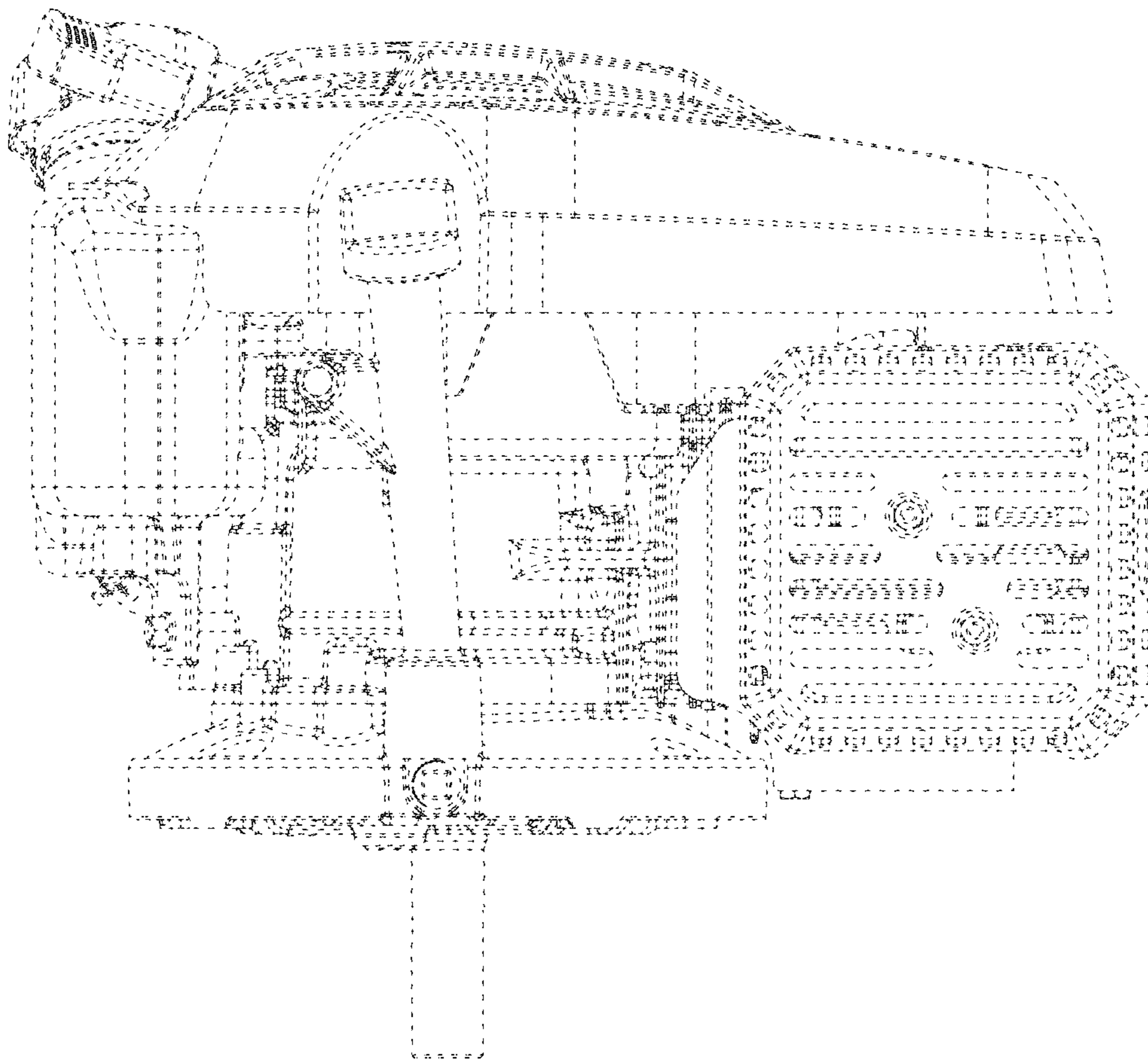


FIG. 17

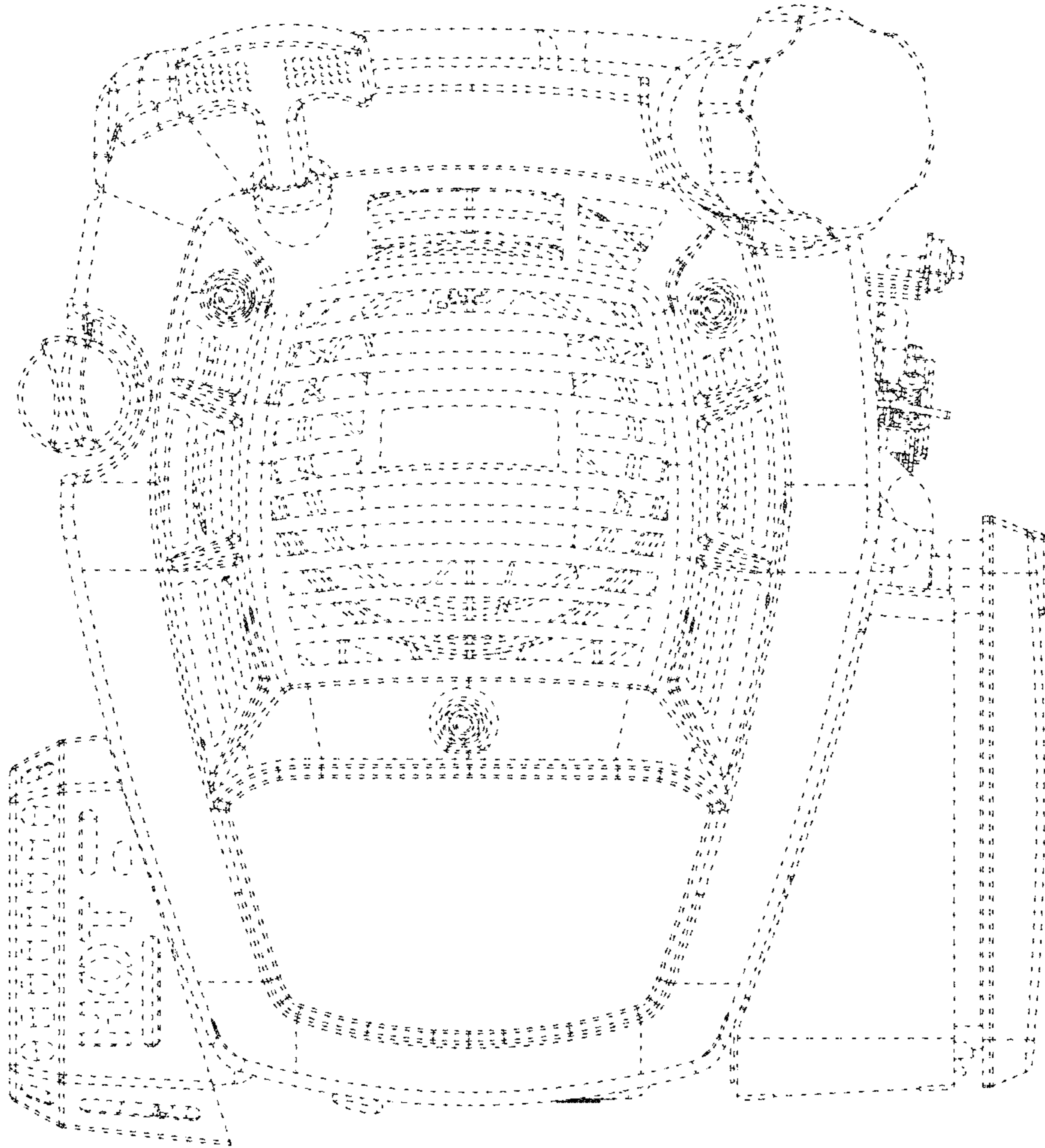


FIG. 18

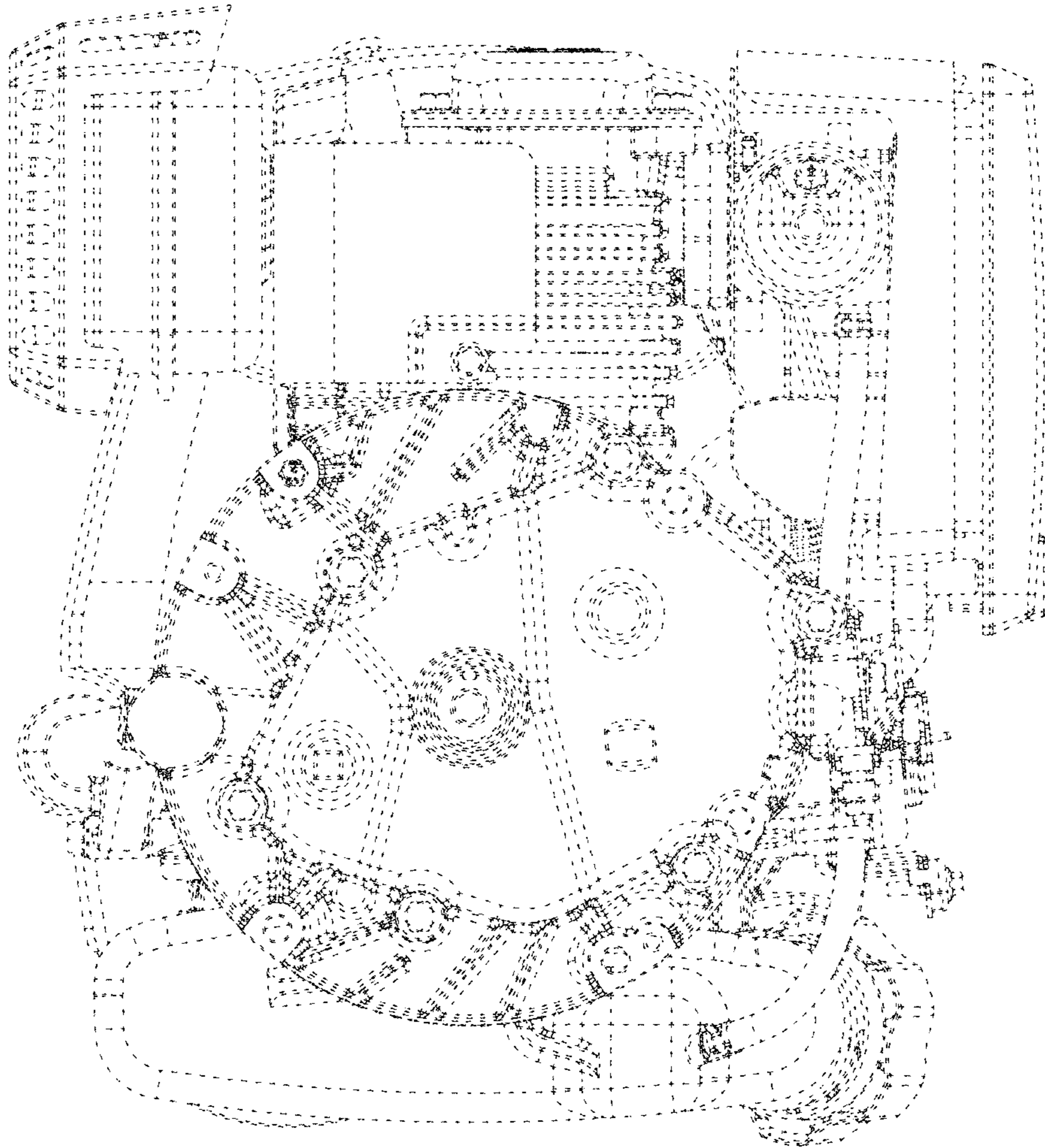


FIG. 19