



US00D923031S

(12) **United States Design Patent**  
**Chou et al.**

(10) **Patent No.:** **US D923,031 S**  
(45) **Date of Patent:** **\*\* Jun. 22, 2021**

(54) **DISPLAY SCREEN OR PORTION THEREOF WITH ANIMATED GRAPHICAL USER INTERFACE**

D755,219 S \* 5/2016 Kim ..... D14/486  
D764,528 S \* 8/2016 Choi ..... D14/488  
D765,684 S \* 9/2016 Zheng ..... D14/486  
D768,685 S \* 10/2016 Lee ..... D14/486  
D779,526 S \* 2/2017 Volovik ..... D14/486

(71) Applicants: **SHANGHAI MAGIMA DIGITAL INFORMATION CO., LTD.**, Shanghai (CN); **BIBO NETWORK, LLC.**, San Jose, CA (US)

(Continued)

(72) Inventors: **Jen-Chung Chou**, Taipei (TW); **Qingyun Chen**, Shanghai (CN)

(\*\*) Term: **15 Years**

(21) Appl. No.: **29/694,283**

(22) Filed: **Jun. 10, 2019**

(30) **Foreign Application Priority Data**

Dec. 25, 2018 (TW) ..... 107307549

(51) **LOC (13) Cl.** ..... **14-04**

(52) **U.S. Cl.**  
USPC ..... **D14/486**

(58) **Field of Classification Search**  
USPC ..... D14/485–495  
CPC ..... H04M 1/72519–72561; G06F 15/0266; G06Q 10/06; G06Q 10/109; G06Q 50/01; H04L 51/32

See application file for complete search history.

(56) **References Cited**

**U.S. PATENT DOCUMENTS**

D673,172 S \* 12/2012 Peters ..... D14/487  
D706,803 S \* 6/2014 Rogowski ..... D14/486  
D717,809 S 11/2014 Tsuru et al.  
D727,339 S \* 4/2015 Lee ..... D14/486  
D730,379 S 5/2015 Xiong et al.  
D734,356 S 7/2015 Xiong et al.  
D745,033 S 12/2015 Pal et al.  
D748,643 S \* 2/2016 Lee ..... D14/485  
D755,215 S \* 5/2016 Lee ..... D14/486

**OTHER PUBLICATIONS**

Babich, Nick. "Progress Trackers in UX Design." UX Planet, published Apr. 26, 2016 (Retrieved from the Internet Mar. 9, 2021). Internet URL: <<https://uxplanet.org/progress-trackers-in-ux-design-4319cef1c600>> (Year: 2016).\*

(Continued)

*Primary Examiner* — Jack Reickel  
*Assistant Examiner* — Rachel A Voorhies

(57) **CLAIM**

We claim the ornamental design for a display screen or portion thereof with animated graphical user interface, as shown and described.

**DESCRIPTION**

FIG. 1 is a first image for the display screen or portion thereof with animated graphical user interface, showing my new design;

FIG. 2 is a second image thereof;

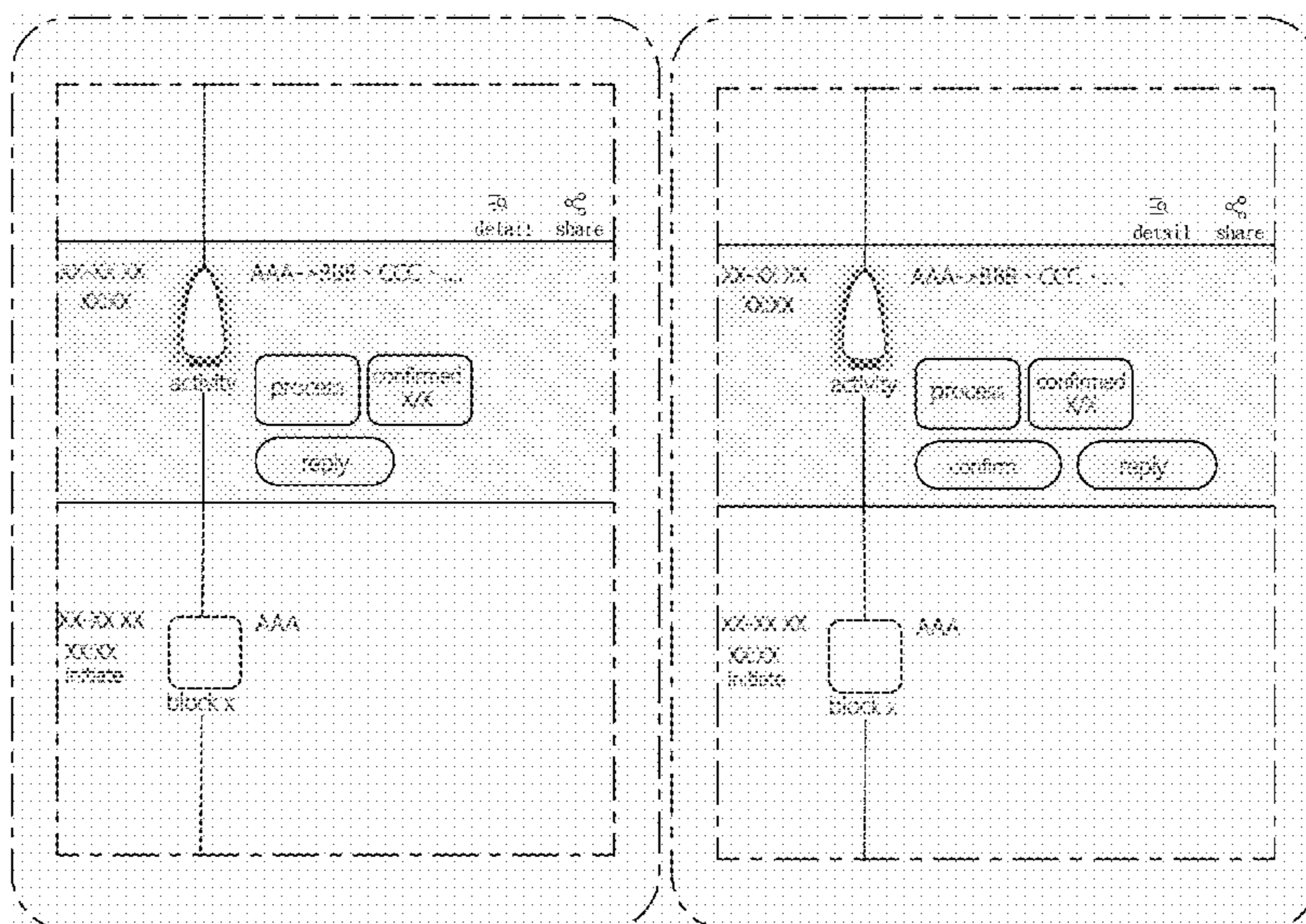
FIG. 3 is a third image thereof; and,

FIG. 4 is a fourth image thereof.

The outermost broken lines in the figures show the display screen or portion thereof and the shorter broken lines in the figures show interior portions and text of the animated graphical user interface that form no part of the claimed design.

The appearance of the animated images sequentially transitions between the images shown in FIG. 1-4. The process or period in which one image transitions to another forms no part of the claimed design.

**1 Claim, 4 Drawing Sheets**



(56)

**References Cited**

U.S. PATENT DOCUMENTS

D789,400 S \* 6/2017 Kaplan ..... D14/486  
D789,965 S \* 6/2017 Kaplan ..... D14/486  
D789,967 S \* 6/2017 Kaplan ..... D14/486  
D794,046 S \* 8/2017 Caro ..... D14/485  
D824,922 S 8/2018 McGovern et al.  
D841,037 S \* 2/2019 Kawaichi ..... D14/486  
D852,815 S 7/2019 Gavenman et al.  
D855,059 S \* 7/2019 Cinek ..... D14/485  
D874,487 S 2/2020 Sunshine et al.  
2012/0113147 A1 5/2012 Virtanen et al.  
2018/0253499 A1\* 9/2018 Arrowood ..... H04L 67/306

OTHER PUBLICATIONS

“Vertical Stepper Form Library.” MaterialUp, published Jun. 20, 2016 (Retrieved from the Internet Mar. 9, 2021). Internet URL: <<https://web.archive.org/web/20160620202656/http://www.materialup.com/posts/vertical-stepper-form-library>> (Year: 2016).\*  
Non-Final Office Action issued in Design U.S. Appl. No. 29/694,290 dated Jul. 21, 2020.

\* cited by examiner

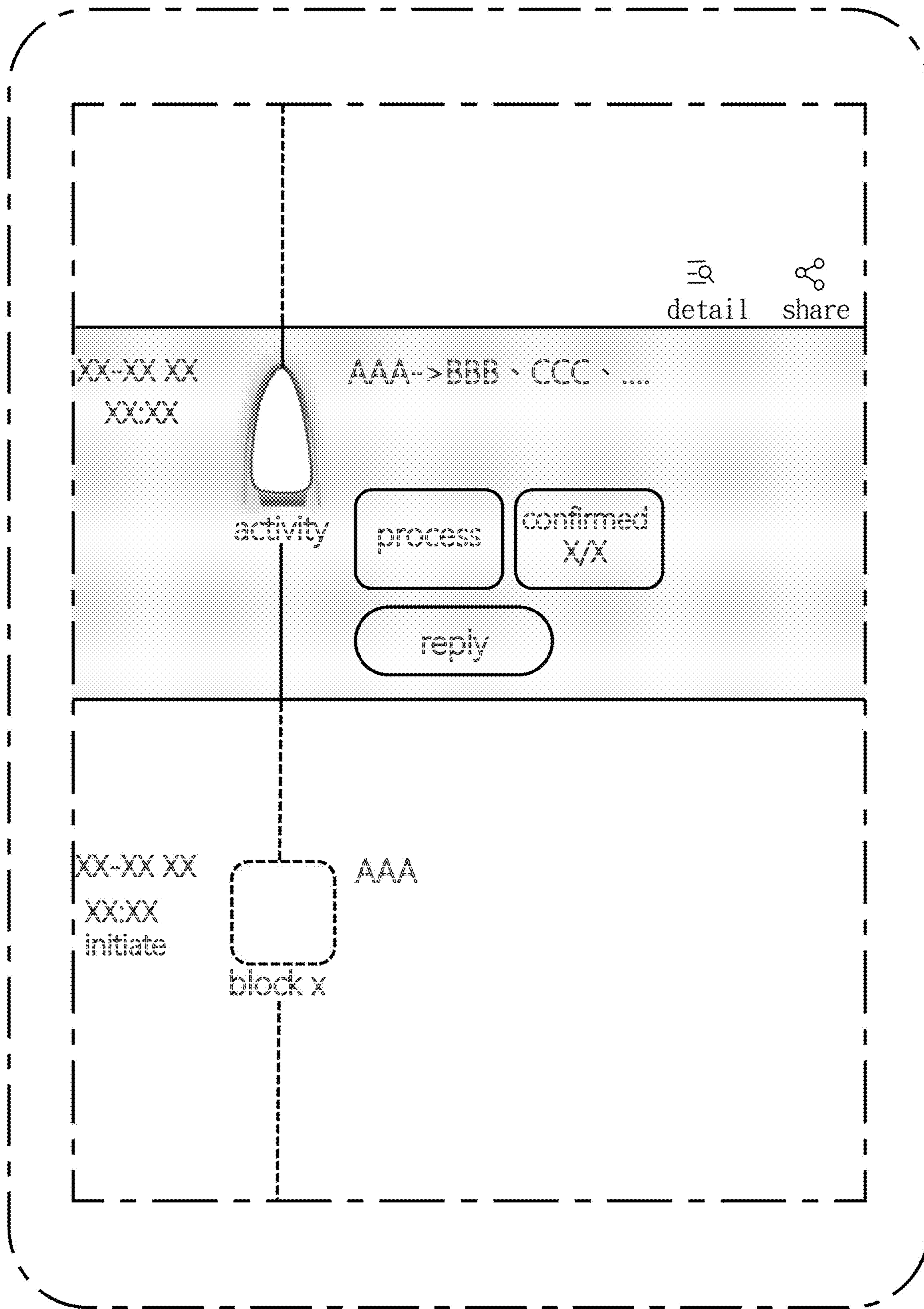


FIG.1

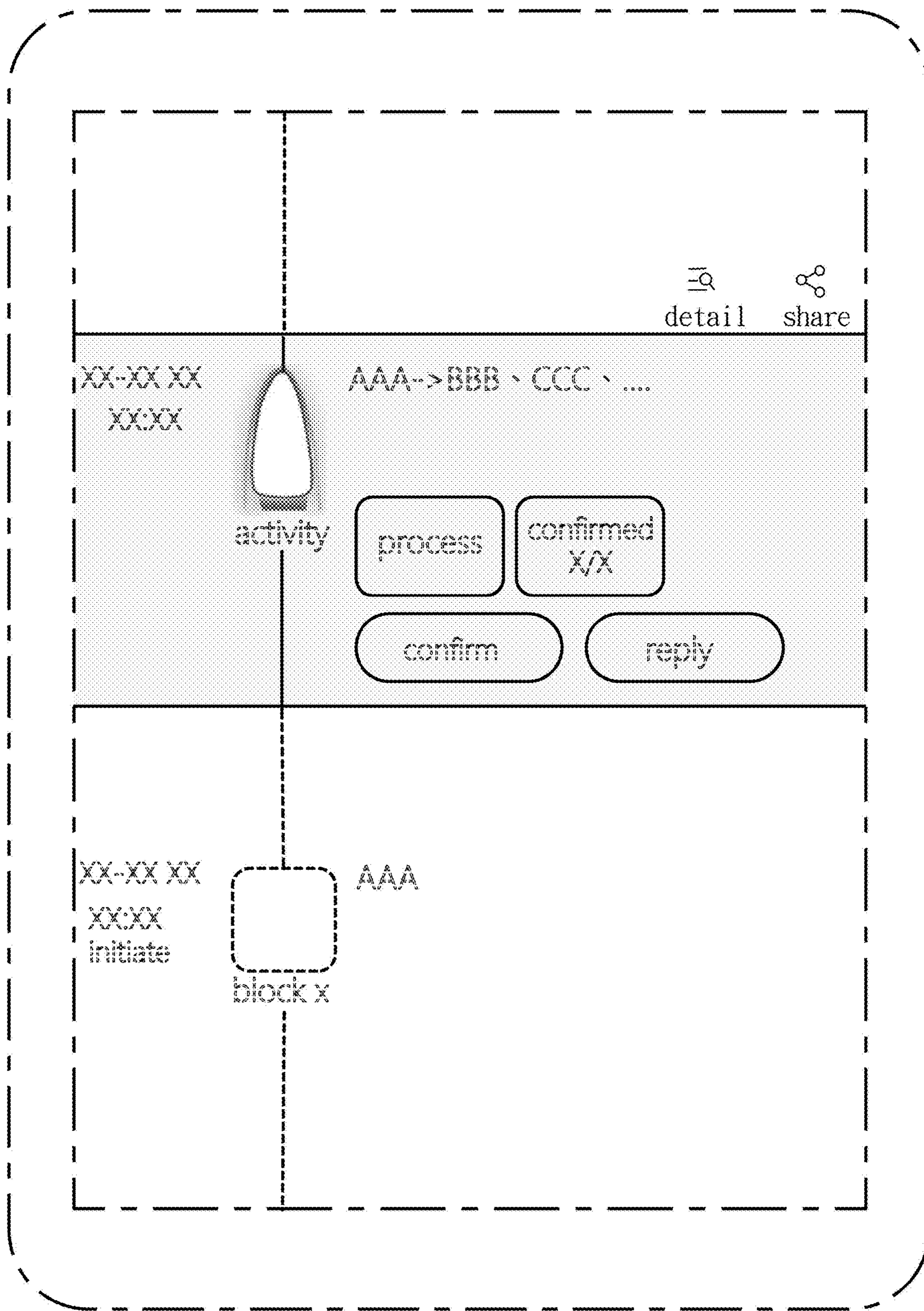


FIG.2

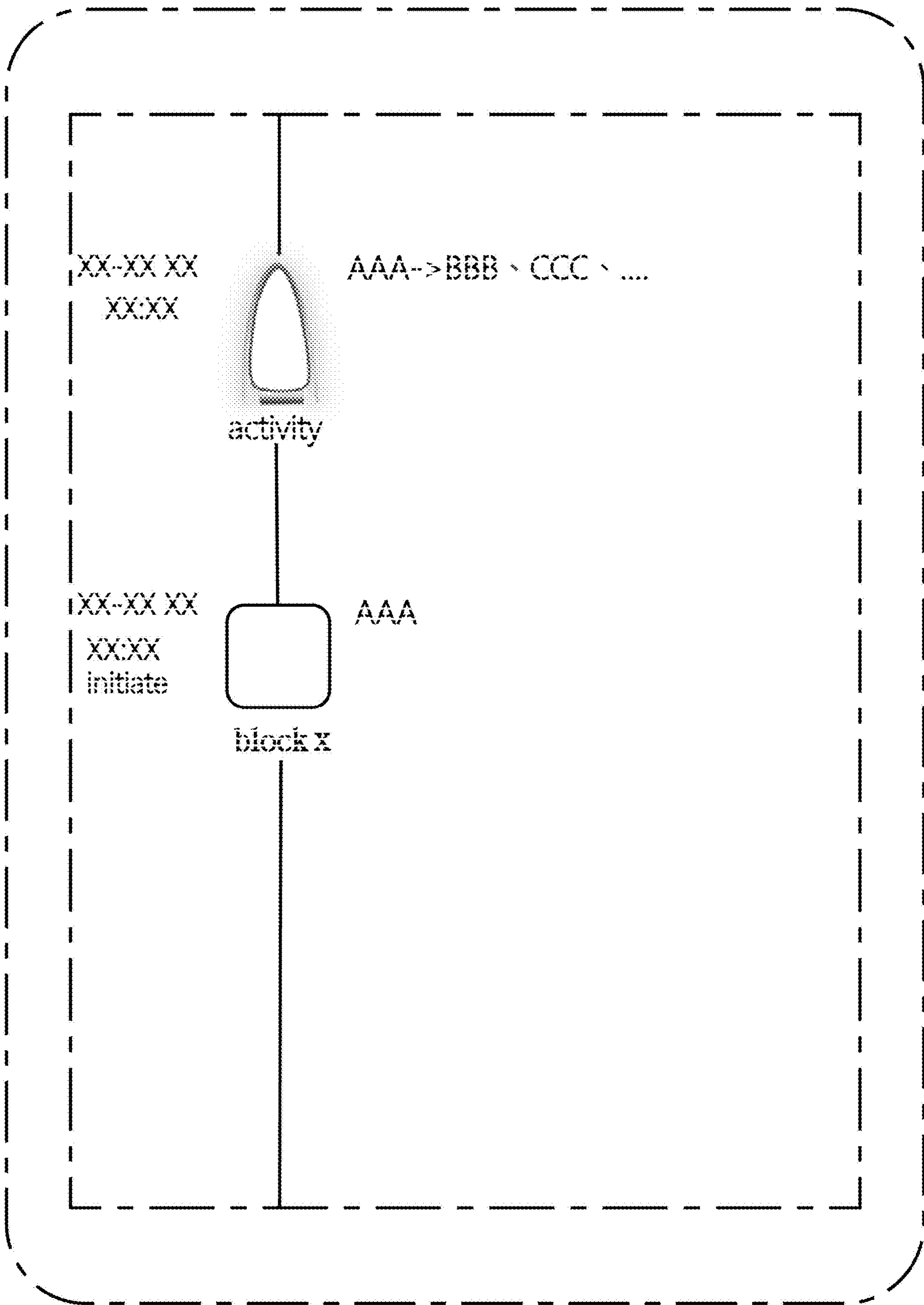


FIG.3

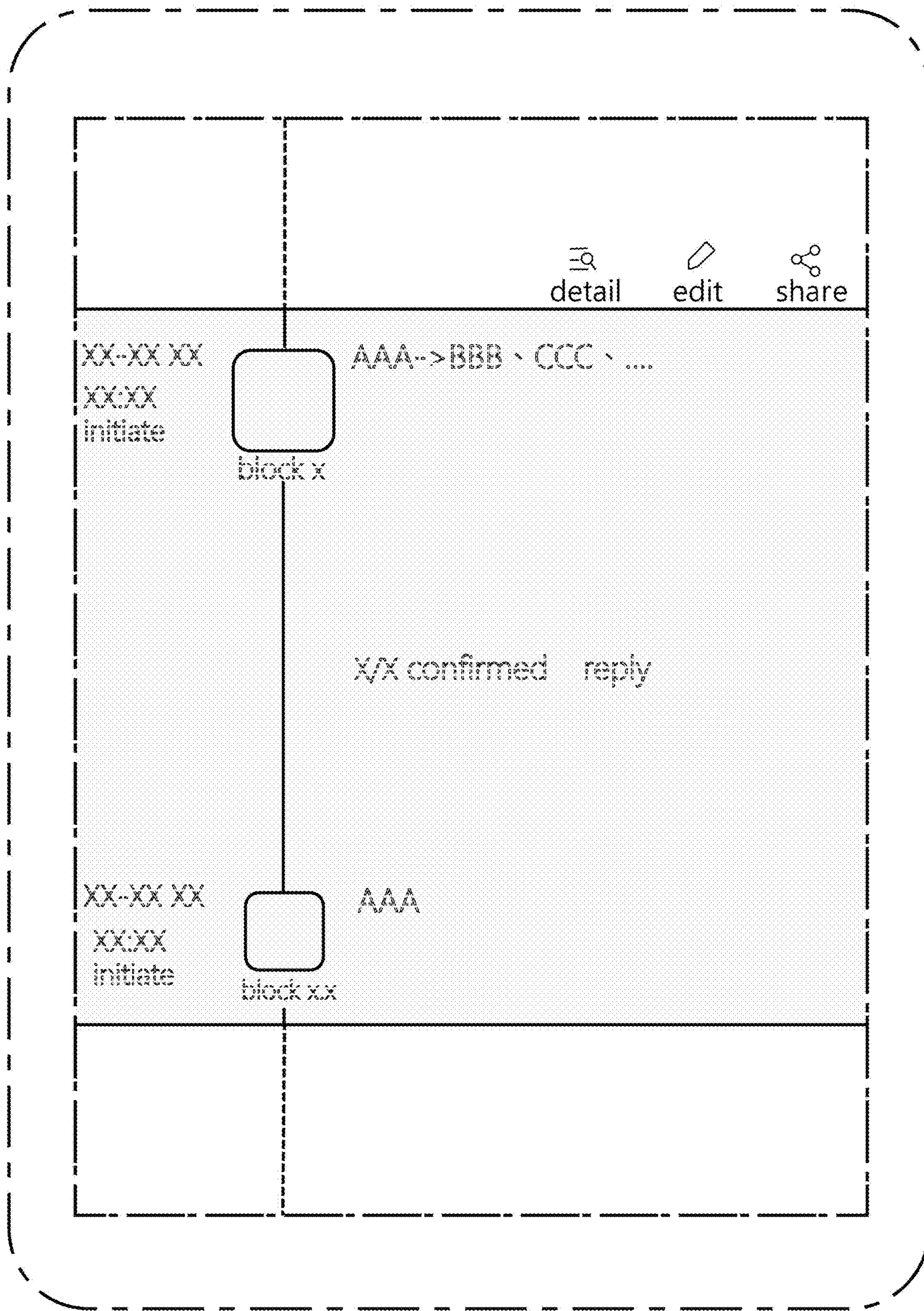


FIG.4