



US00D923028S

(12) **United States Design Patent**
Perron et al.

(10) **Patent No.:** **US D923,028 S**
(45) **Date of Patent:** **** Jun. 22, 2021**

(54) **DISPLAY SCREEN OR PORTION THEREOF WITH GRAPHICAL USER INTERFACE**

D811,429 S * 2/2018 Kim D14/487
D823,871 S * 7/2018 Verdu Orts D14/486
D830,399 S * 10/2018 Kisielius D14/486
D837,247 S * 1/2019 Lim D14/486

(71) Applicant: **EXFO INC.**, Quebec (CA)

(Continued)

(72) Inventors: **Stephane Perron**, Quebec (CA);
Antoine-Alexandre Michaud, Quebec (CA)

FOREIGN PATENT DOCUMENTS

KR 30-0932349 11/2017

(73) Assignee: **EXFO, INC.**, Quebec (CA)

OTHER PUBLICATIONS

(**) Term: **15 Years**

PRNewswire | News Releases | EXFO launches new category of fiber testing . . . , posted on Jun. 4, 2019 by EXFO Inc., © 2021 Cision US Inc. [online], [site visited Jan. 30, 2021]. Available from Internet, <URL: <https://www.prnewswire.com/news-releases/exfo-launches-new-category-of-fiber-testing-solutions-300861322.html>>.*

(21) Appl. No.: **29/664,955**

(22) Filed: **Sep. 28, 2018**

(51) **LOC (13) Cl.** **14-04**

(52) **U.S. Cl.**
USPC **D14/486**; D14/487; D14/491

(58) **Field of Classification Search**
USPC 345/1.1, 1.2, 2.1–2.3, 3.1, 902; 715/763, 715/810, 836, 837, 846, 847, 977; D14/485–495
CPC B60K 37/00; G06F 3/048–04897; G06F 3/013; G06F 3/017; G06F 3/165; G06F 16/168; G06F 16/7335; G06F 17/212; G06F 2203/014; G06F 2206/1008; G06F 2209/545; G06F 30/12; G06T 13/80; G06T 15/02; G06Q 10/10; H04M 1/6075; H04M 3/567; H04M 1/2477; H04M 1/26; H04M 1/274582; H04L 12/581; H04L 12/1813; H04N 7/16

See application file for complete search history.

(56) **References Cited**

U.S. PATENT DOCUMENTS

D631,060 S * 1/2011 Flik D14/486
D755,827 S * 5/2016 Anzures D14/486
D791,811 S * 7/2017 Kisielius D14/486
D791,813 S * 7/2017 Kisielius D14/486
D792,460 S * 7/2017 Kisielius D14/491

Primary Examiner — Cary M Robinson

(74) *Attorney, Agent, or Firm* — Erise IP, P.A.

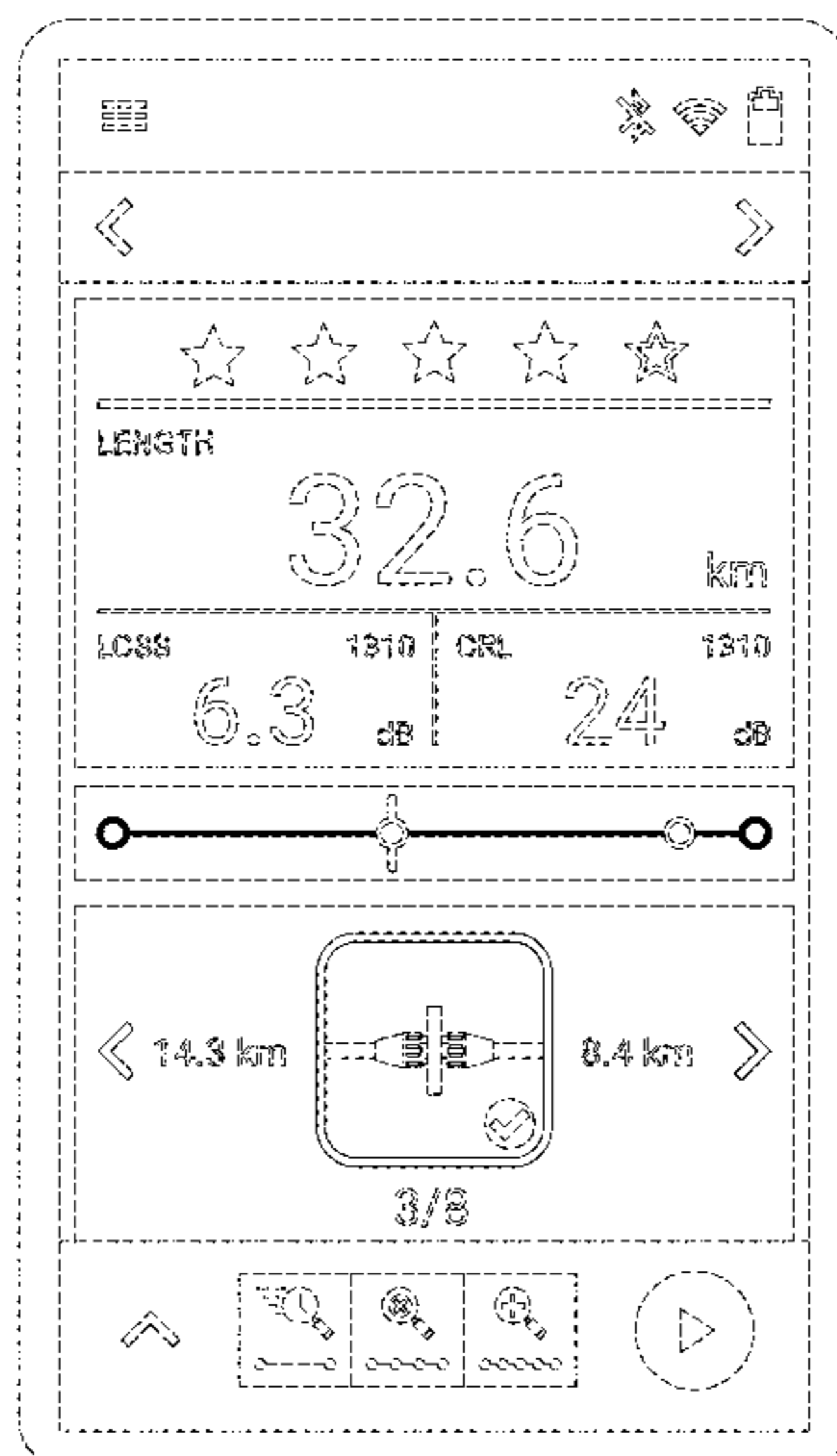
(57) **CLAIM**

The ornamental design for a display screen or portion thereof with graphical user interface, as shown and described.

DESCRIPTION

FIG. 1 is a front view of a display screen of portion thereof with graphical user interface, showing the new design; FIG. 2 is a front view of a second embodiment thereof; and, FIG. 3 is another front view of the graphical user interface of FIG. 1, showing alternative broken line subject matter. The outermost broken line illustrates an electronic device, the broken line at the periphery of the graphical user interface illustrates the display screen, and the closely spaced broken line showing of text, numbers and icon elements illustrate portions of the graphical user interface. None of the broken lines form part of the claimed design.

1 Claim, 3 Drawing Sheets



(56)

References Cited

U.S. PATENT DOCUMENTS

D839,884 S * 2/2019 Mussinov D14/485
D882,623 S * 4/2020 van Zyl D14/487
2013/0078990 A1* 3/2013 Kim H04N 21/42224
455/422.1
2015/0242065 A1* 8/2015 Ko G06F 3/0481
715/779
2016/0253651 A1* 9/2016 Park G07F 9/023
705/39
2020/0200645 A1* 6/2020 Perron G01M 11/3145

OTHER PUBLICATIONS

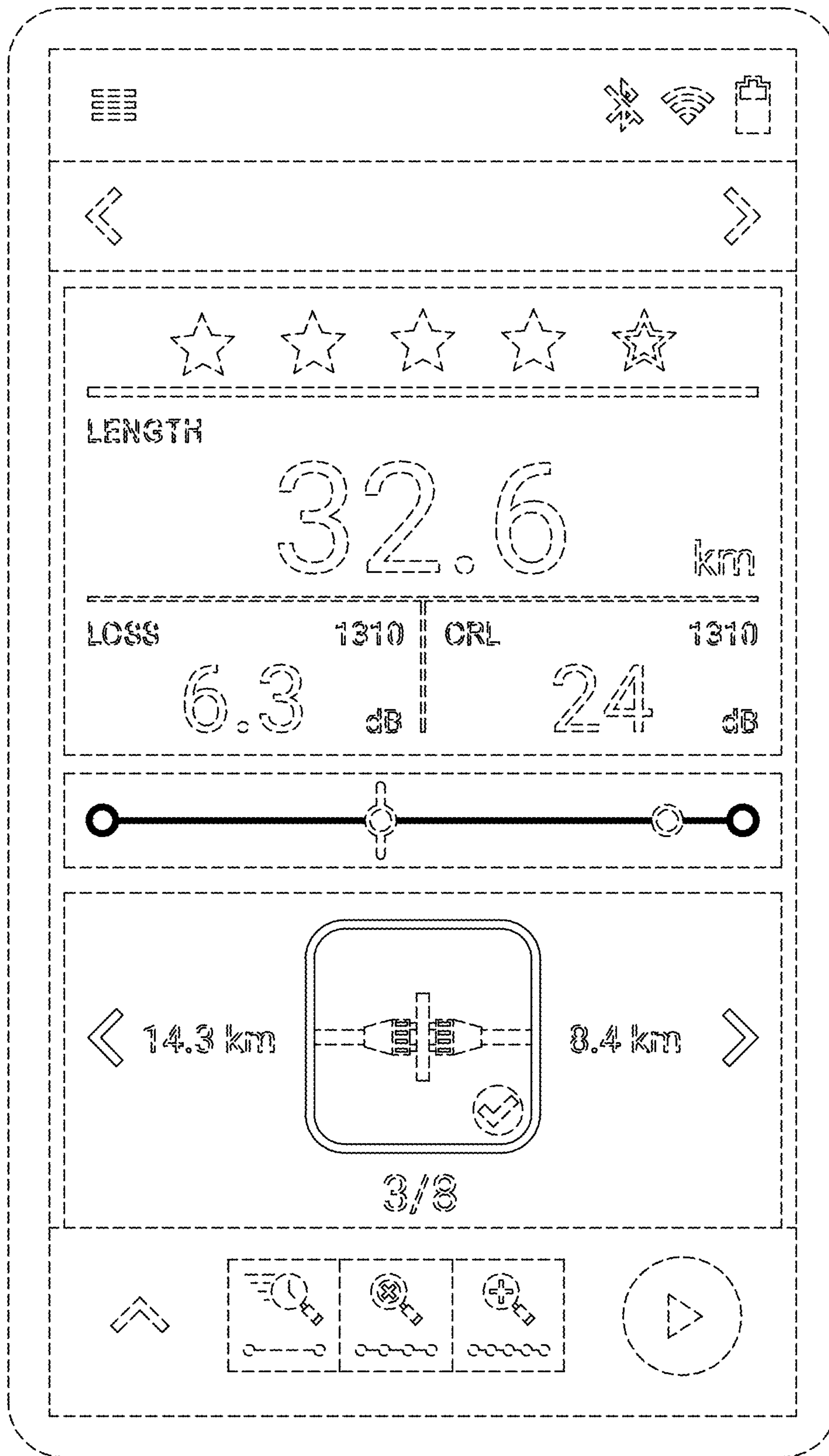
Software for smartphones for travel booking [online]. Apple, 2016 [retrieved on May 17, 2016]. Retrieved from the Internet: <URL: <https://itunes.apple.com/jp/app/vntrip-at-phong-khach-san/id1046183734?mt=8>>.

Car navigation system [online]. Iriver Japan, 2007 [retrieved on Aug. 31, 2007]. Retrieved from the Internet: <URL: <http://www.iriver.co.jp/estore/pn100>>.

Remote controller. Catalogue for housing equipment, p. 14 [available on Oct. 28, 2005].

EXFO Specification Sheet "Intelligent Optical Link Mapper (iOLM)", 2012, 4 pages.

* cited by examiner



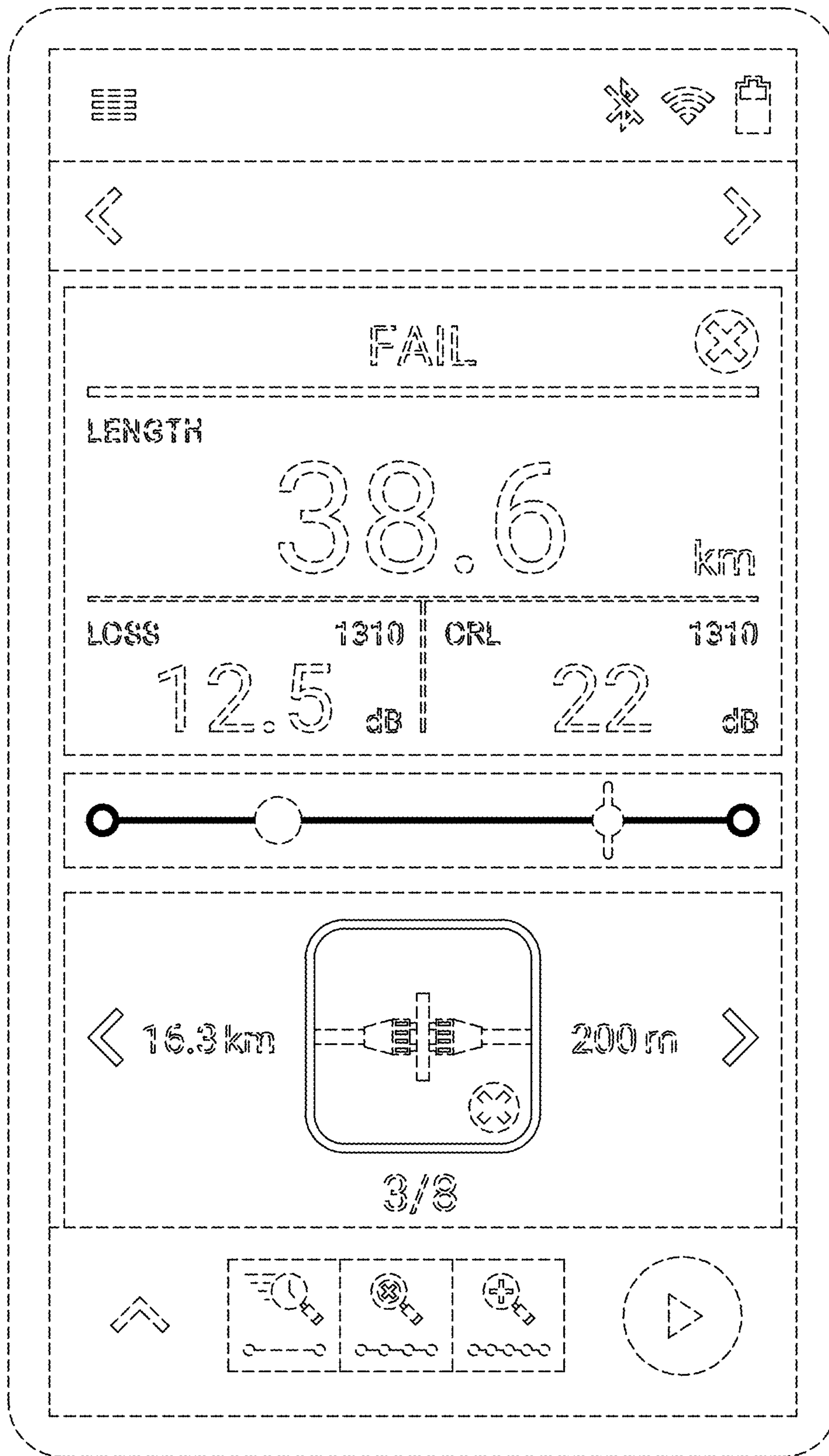


FIG. 2

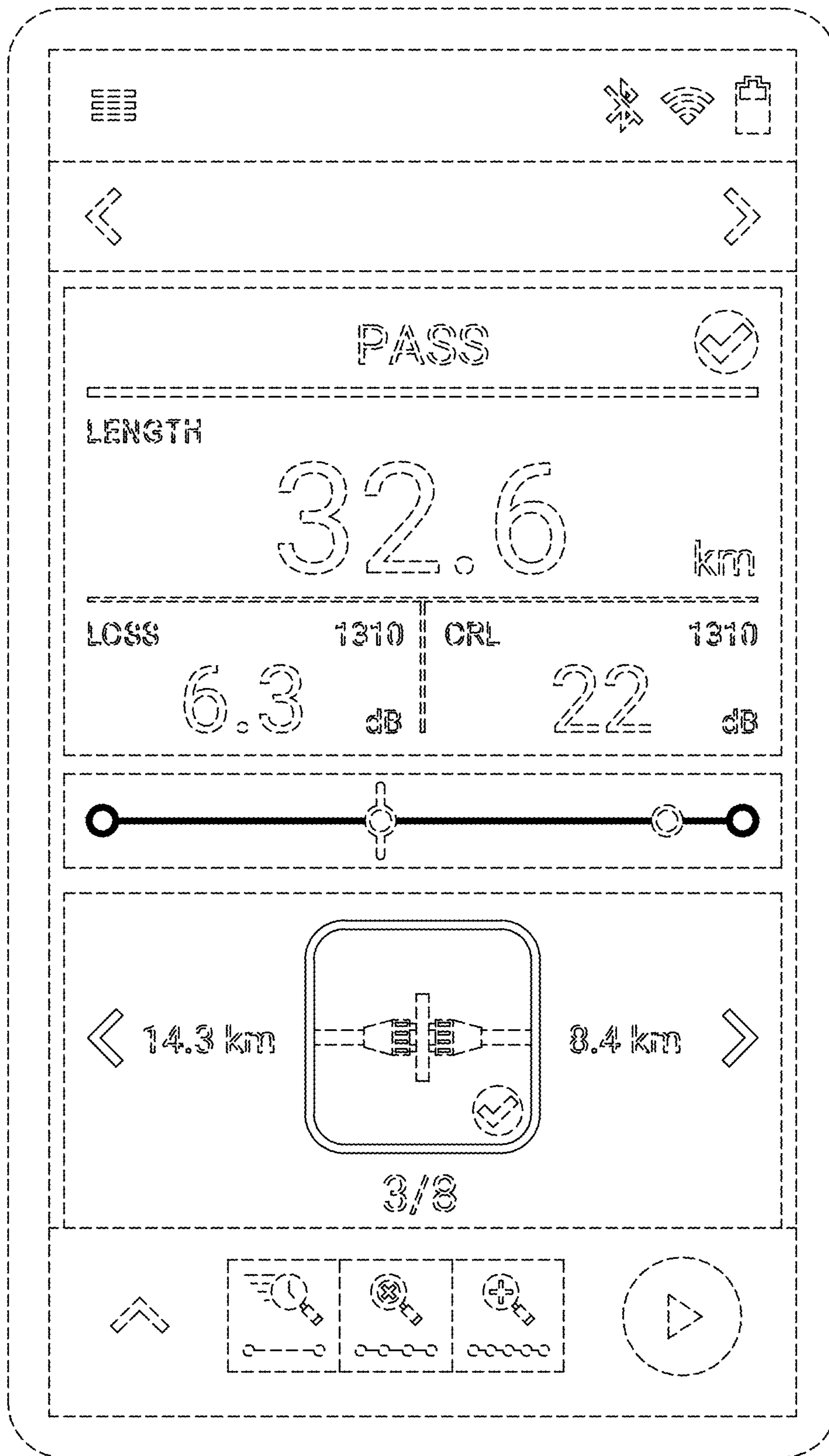


FIG. 3