



US00D923018S

(12) **United States Design Patent** (10) **Patent No.:** **US D923,018 S**
Lu (45) **Date of Patent:** **** Jun. 22, 2021**

(54) **DISPLAY MOUNT**

(71) Applicant: **SHENZHEN PRIME TECHNOLOGY CO., LTD**, Shenzhen (CN)

(72) Inventor: **Chengan Lu**, Shenzhen (CN)

(73) Assignee: **SHENZHEN PRIME TECHNOLOGY CO., LTD**, Shenzhen (CN)

(**) Term: **15 Years**

(21) Appl. No.: **29/750,878**

(22) Filed: **Sep. 17, 2020**

(51) **LOC (13) Cl.** **14-02**

(52) **U.S. Cl.**
USPC **D14/452**; D14/239

(58) **Field of Classification Search**
USPC D14/125-129, 239, 251-253, 335, D14/336-337, 371-382, 432, 439-441, D14/447-452, 457, 492
CPC G06F 1/1616; G06F 3/011; G06F 3/016; G06F 3/0202; G06F 3/0213; G06F 3/0219; G06F 3/023; G06F 3/0338; G06F 3/03543; G06F 3/038; G06F 3/0488; G06F 3/04883

See application file for complete search history.

(56) **References Cited**

U.S. PATENT DOCUMENTS

- D563,399 S * 3/2008 Wohlford D14/239
- D568,135 S * 5/2008 Pribyl et al.
- D568,325 S * 5/2008 Muday D14/452
- D568,326 S * 5/2008 Muday D14/452
- D584,734 S * 1/2009 Chu D14/452
- D649,552 S * 11/2011 Huang F16M 11/24
D14/452
- D652,423 S * 1/2012 Sapper D14/452
- D660,308 S * 5/2012 Huang D14/452

- D706,275 S * 6/2014 Derry D14/452
 - 10,066,785 B1 * 9/2018 Chen F16M 11/2014
 - D872,067 S * 1/2020 Knapp
 - D894,197 S * 8/2020 Knapp D14/452
 - 10,753,531 B2 * 8/2020 Huang F16M 11/16
- (Continued)

FOREIGN PATENT DOCUMENTS

- CA 184582 * 10/2019
- CA 184584 * 10/2019
- CA 184596 * 11/2019

OTHER PUBLICATIONS

VIVO Dual LCD Monitor Desk Mount Stand, date first available: Oct. 17, 2012, [retrieved Mar. 11, 2021], Retrieved from Internet, URL: <<https://www.amazon.com/VIVO-Monitor-Adjustable-Screens-STAND-V002/dp/B009S750LA>> (Year: 2012).*

(Continued)

Primary Examiner — Barbara Fox
Assistant Examiner — Aram Kwon

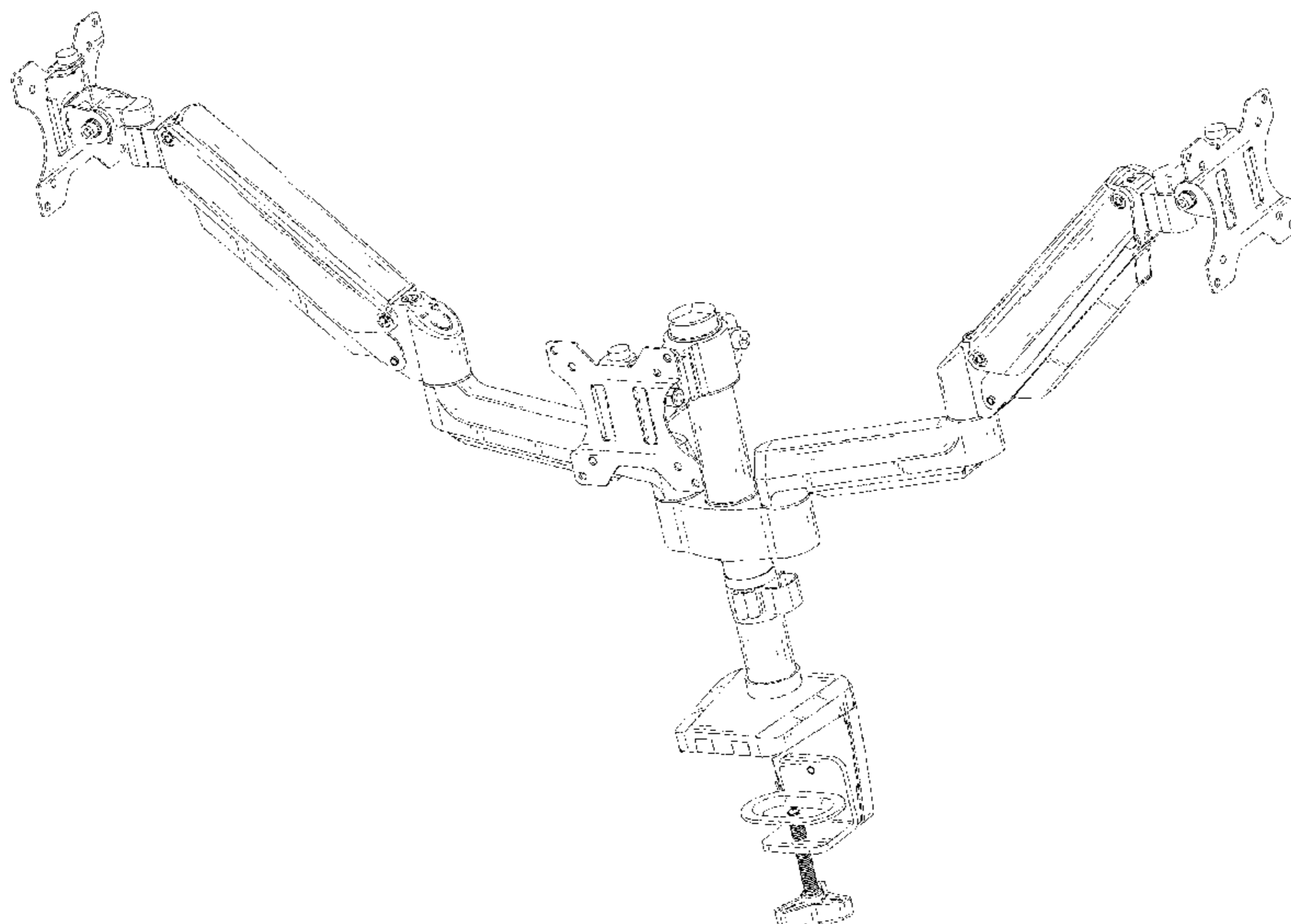
(57) **CLAIM**

The ornamental design for a display mount, as shown and described.

DESCRIPTION

FIG. 1 is a perspective view of a display mount showing my new design;
FIG. 2 is another perspective view thereof;
FIG. 3 is a front elevational view thereof
FIG. 4 is a rear elevational view thereof;
FIG. 5 is a left side elevational view thereof;
FIG. 6 is a right side elevational view thereof;
FIG. 7 is a top plan view thereof; and,
FIG. 8 is a bottom plan view thereof.
The broken lines in the drawings depict portions of the display mount that form no part of the claimed design.

1 Claim, 8 Drawing Sheets



(56)

References Cited

U.S. PATENT DOCUMENTS

10,760,727 B2 * 9/2020 Huang F16M 11/04
D901,514 S * 11/2020 Knapp D14/452
D905,700 S * 12/2020 Lu D14/452
2019/0374025 A1 * 12/2019 Bowman F16M 13/022

OTHER PUBLICATIONS

Triple Monitor Mount Desk Stand, date first available: Apr. 4, 2019, [retrieved Mar. 11, 2021], Retrieved from Internet, URL: <<https://www.amazon.com/Triple-Monitor-Mount-Desk-Stand/dp/B07QG9RFCT>> (Year: 2019).*

MOUNTPRO Triple Monitor Desk Mount, date first available: Oct. 8, 2019, [retrieved Mar. 11, 2021], Retrieved from Internet, URL: <https://www.amazon.com/dp/B07YWKQ873/ref=sspa_dk_detail_2?psc=1&pd_rd_i=B07YWKQ873&pd_rd_w=3QYXu&pf_rd_p=4269e1a0-a218-4fbd-%E2%80%A61/9> (Year: 2019).*

IMLIB Triple Monitor Stand, date first available: Sep. 24, 2020, [retrieved Mar. 11, 2021], Retrieved from Internet, URL: <https://www.amazon.com/IMLIB-Triple-Monitor-Stand-Articulating/dp/B08GC62R8M/ref=pd_dLsccaL4?pd_rd_w=TZpOu&pf_rd_p=c9443270-b914-4%E2%80%A6> (Year: 2020).*

* cited by examiner

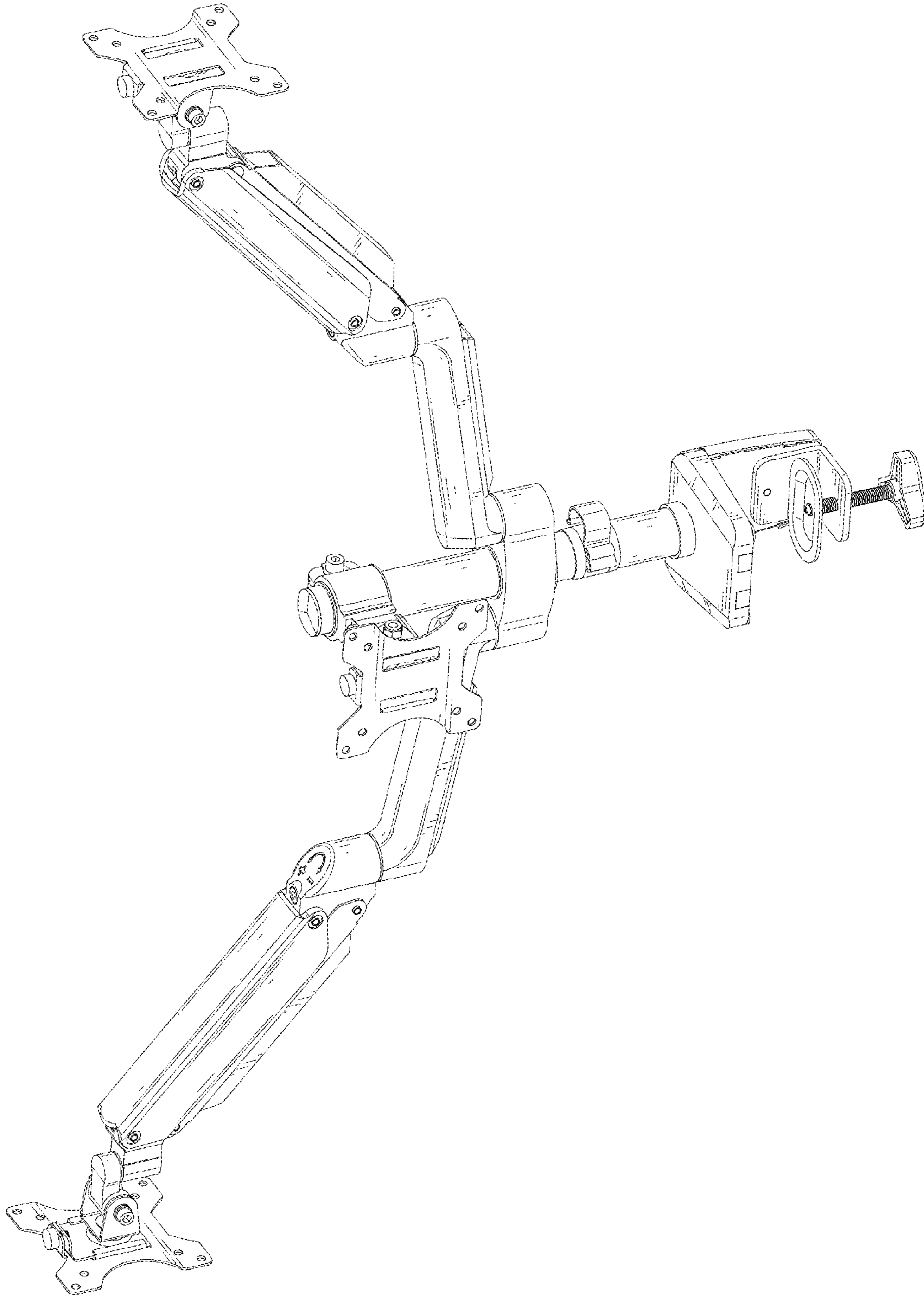


FIG. 1

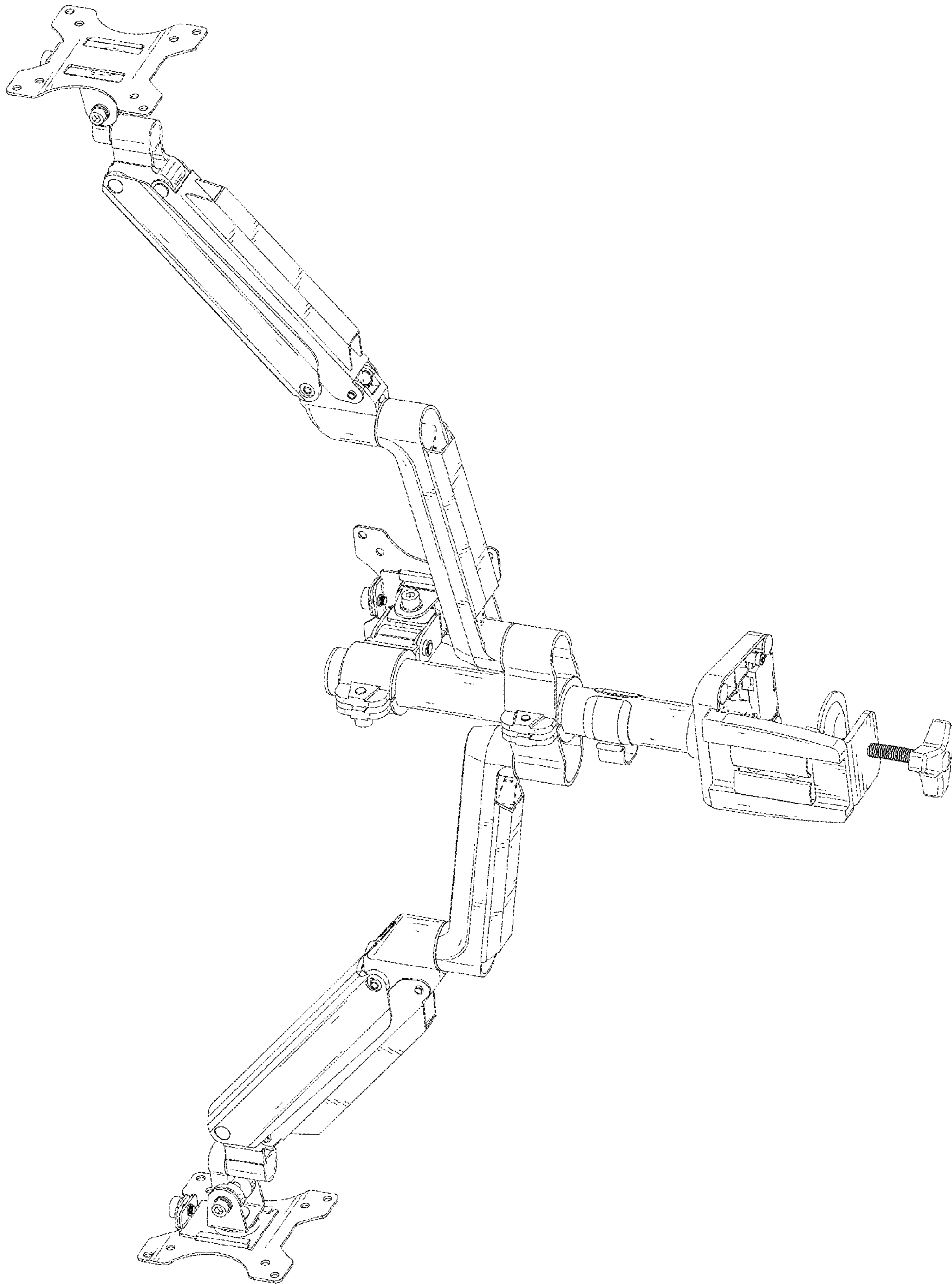


FIG. 2

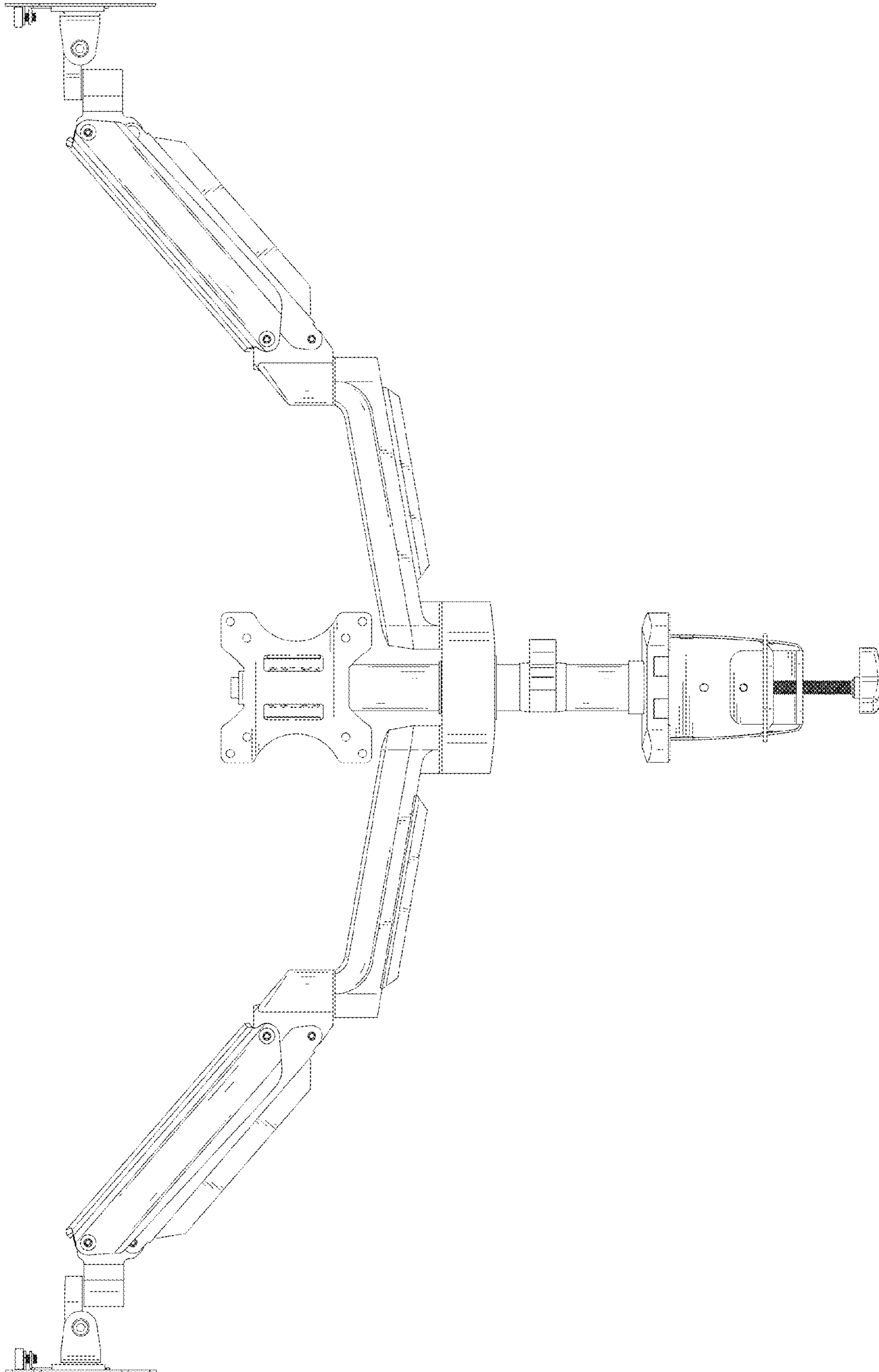


FIG. 3

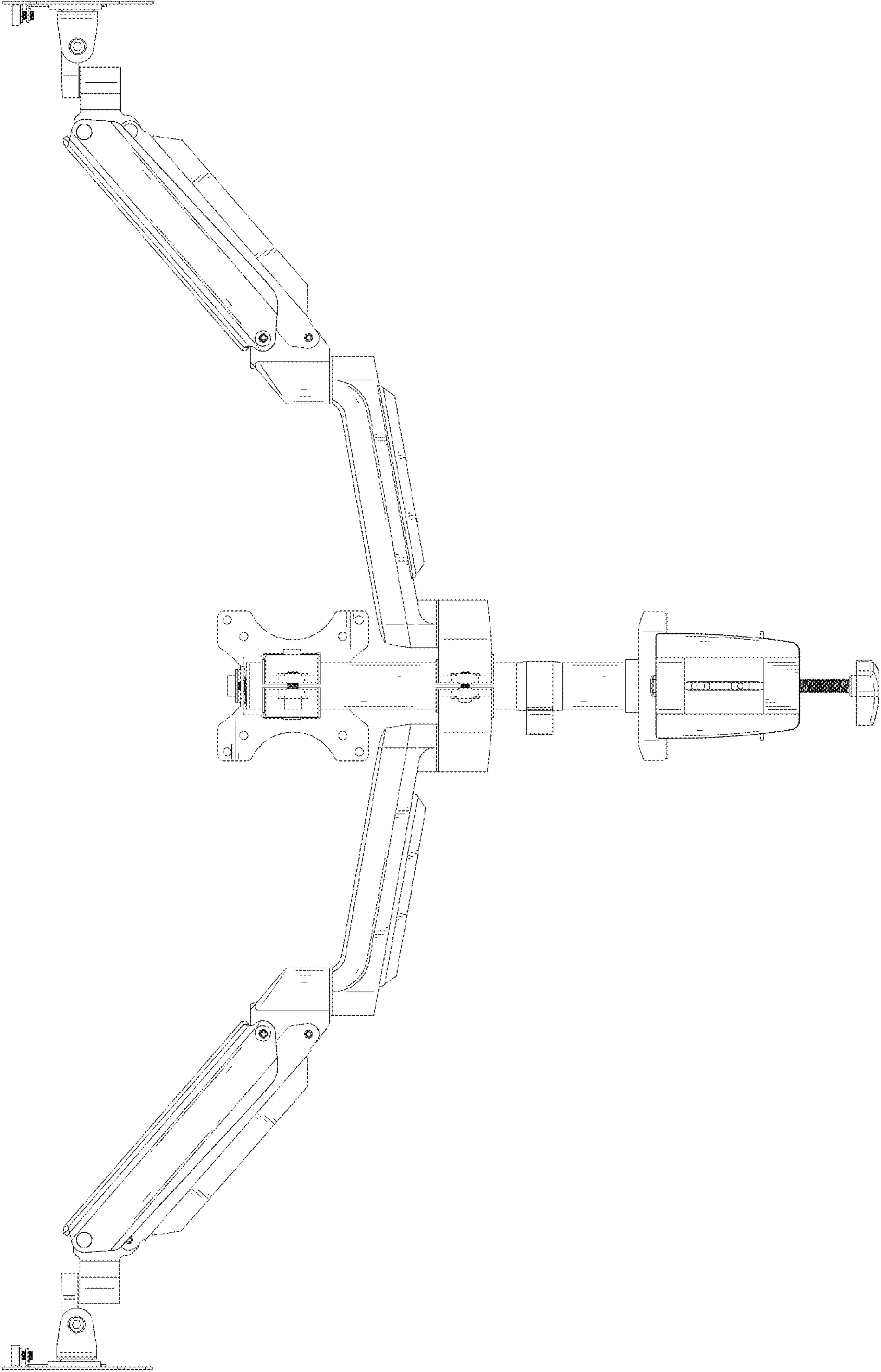


FIG. 4

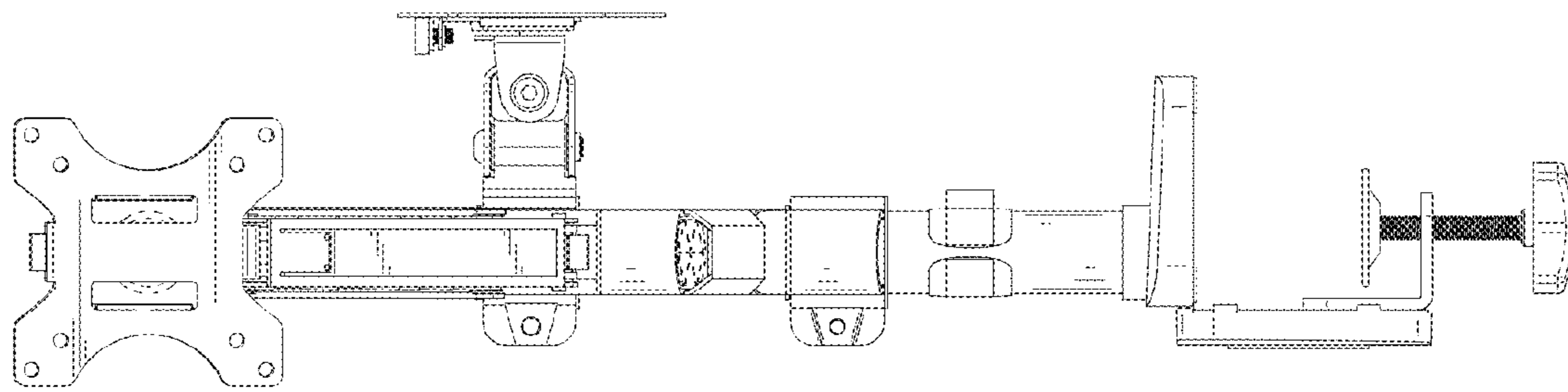


FIG. 5

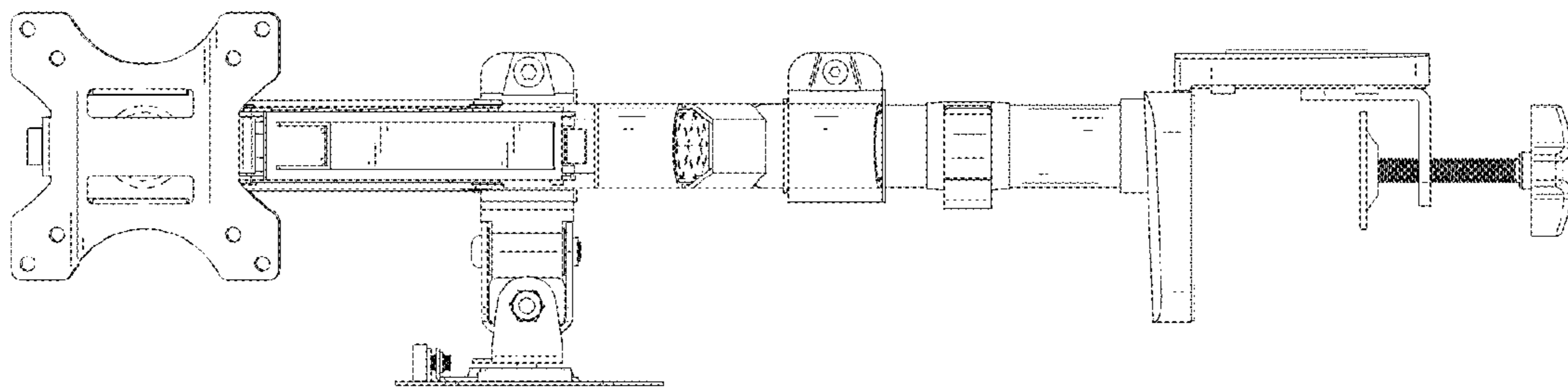


FIG. 6

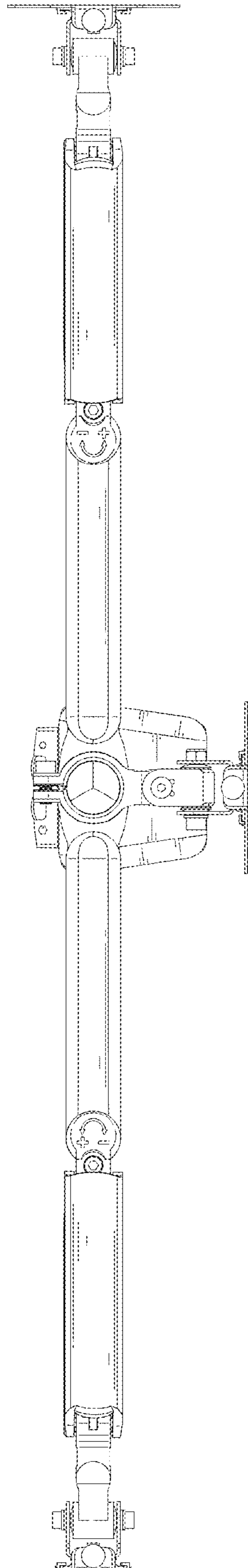


FIG. 7

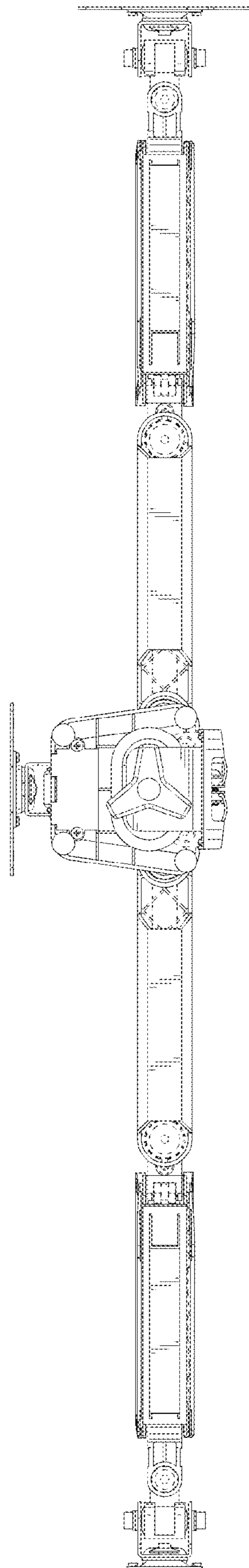


FIG. 8