



US00D923016S

(12) **United States Design Patent**  
**Chen**

(10) **Patent No.:** **US D923,016 S**

(45) **Date of Patent:** **\*\* Jun. 22, 2021**

(54) **LAPTOP HOLDER**

(71) Applicant: **Shenzhen ShengDi Development Co., Ltd**, Shenzhen (CN)

(72) Inventor: **Haiqiang Chen**, Shenzhen (CN)

(\*\*) Term: **15 Years**

(21) Appl. No.: **29/755,825**

(22) Filed: **Oct. 23, 2020**

(51) **LOC (13) Cl.** ..... **08-07**

(52) **U.S. Cl.**

USPC ..... **D14/447**

(58) **Field of Classification Search**

USPC ..... D14/447, 432, 434, 439, 440, 451, 452,  
D14/457, 239, 253; D8/363, 373, 380;  
D6/406.3, 406.4, 406.5, 406.6; D12/415  
CPC ..... A47B 21/04; A47B 2097/006; A47B  
2097/005; A47B 2023/049; A45C  
2011/002; A45C 2011/003; F16M  
2200/00; F16M 13/00

See application file for complete search history.

(56) **References Cited**

**U.S. PATENT DOCUMENTS**

D557,698 S \* 12/2007 Lye ..... D14/447  
D676,853 S \* 2/2013 Gengler ..... D14/447  
D678,886 S \* 3/2013 Heckler ..... D14/447  
D699,297 S \* 2/2014 Bahsoun ..... D19/59  
D705,785 S \* 5/2014 Wang ..... D14/447

D786,259 S \* 5/2017 Klabukov ..... D14/447  
D786,883 S \* 5/2017 Chen ..... D14/447  
D798,871 S \* 10/2017 Avganim ..... D14/447  
D804,490 S \* 12/2017 Wei ..... D14/447  
D844,623 S 4/2019 Chen  
D875,104 S \* 2/2020 Tivnon ..... D14/447  
D893,499 S \* 8/2020 Kirkpatrick ..... D14/447  
D913,290 S \* 3/2021 Mecchella ..... D14/434

\* cited by examiner

*Primary Examiner* — Angela J Lee

(57) **CLAIM**

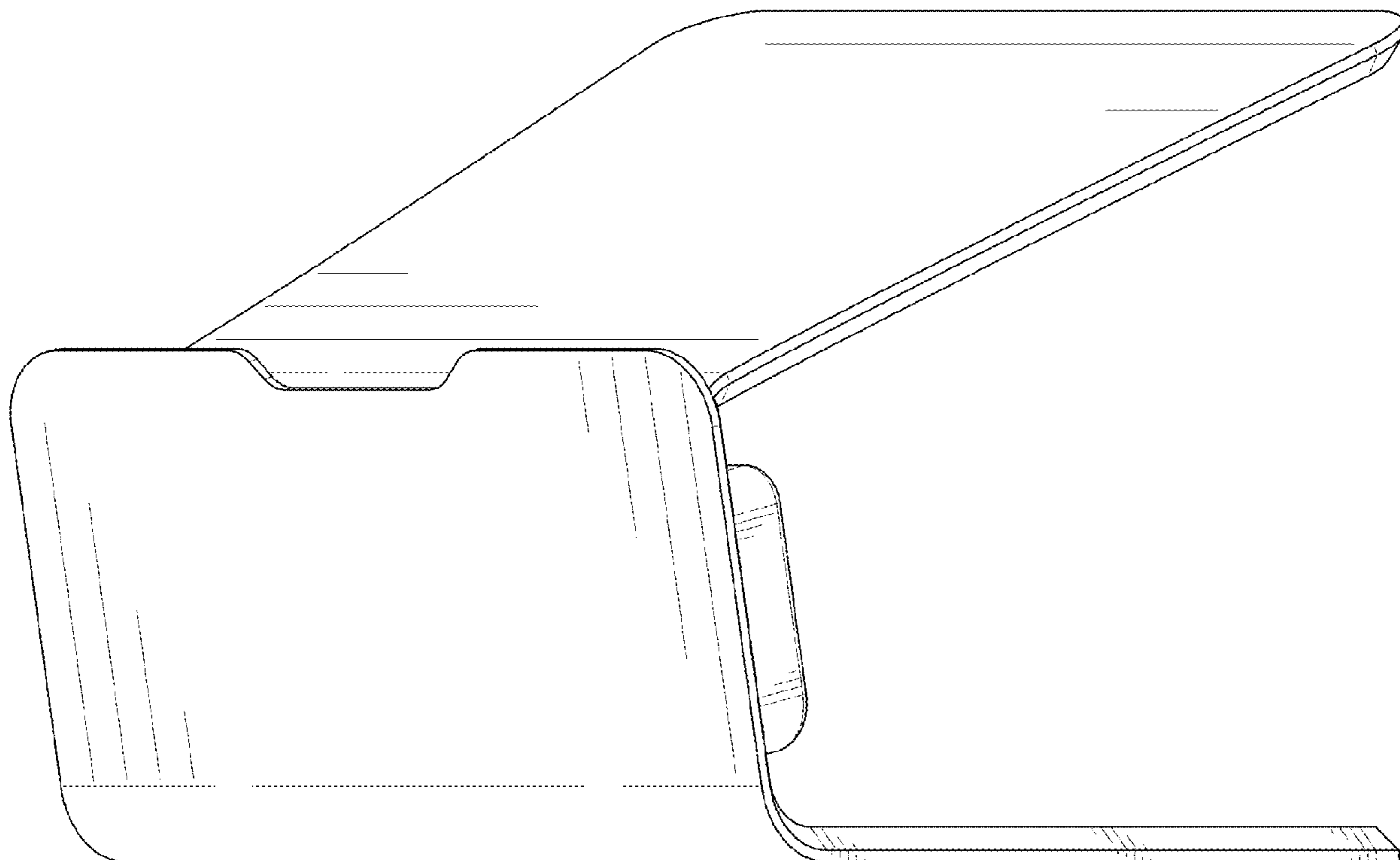
The ornamental design for a laptop holder, as shown and described.

**DESCRIPTION**

FIG. 1 is a front and top perspective view of a laptop holder, showing my new design;  
FIG. 2 is a rear and bottom perspective view thereof;  
FIG. 3 is a front elevational view thereof;  
FIG. 4 is a rear elevational view thereof;  
FIG. 5 is a left side elevational view thereof;  
FIG. 6 is a right side elevational view thereof;  
FIG. 7 is a top plan view thereof; and,  
FIG. 8 is a bottom plan view thereof.

The broken lines in the figures illustrate portions of the laptop holder that form no part of the claimed design.

**1 Claim, 8 Drawing Sheets**



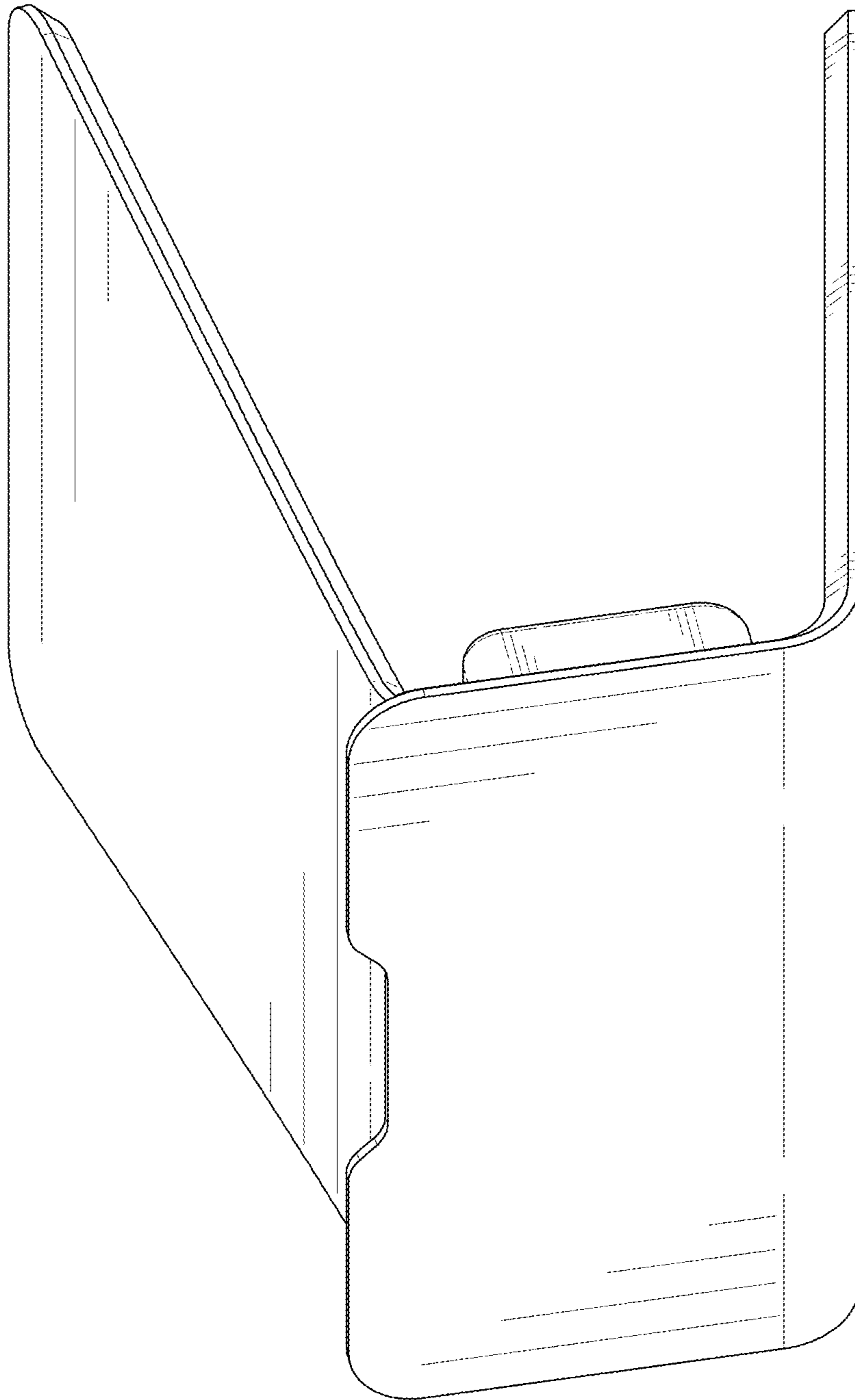


FIG. 1

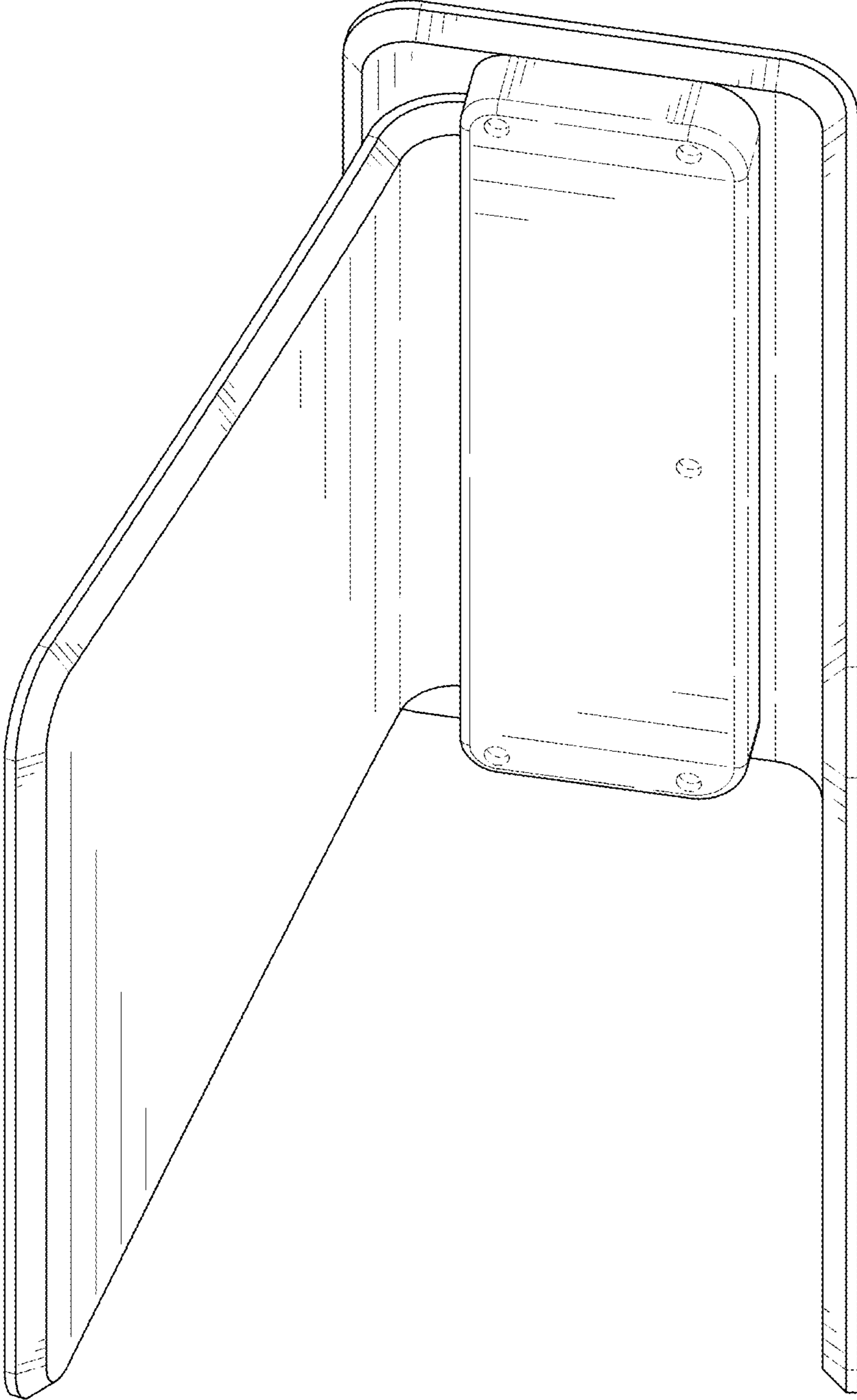


FIG. 2

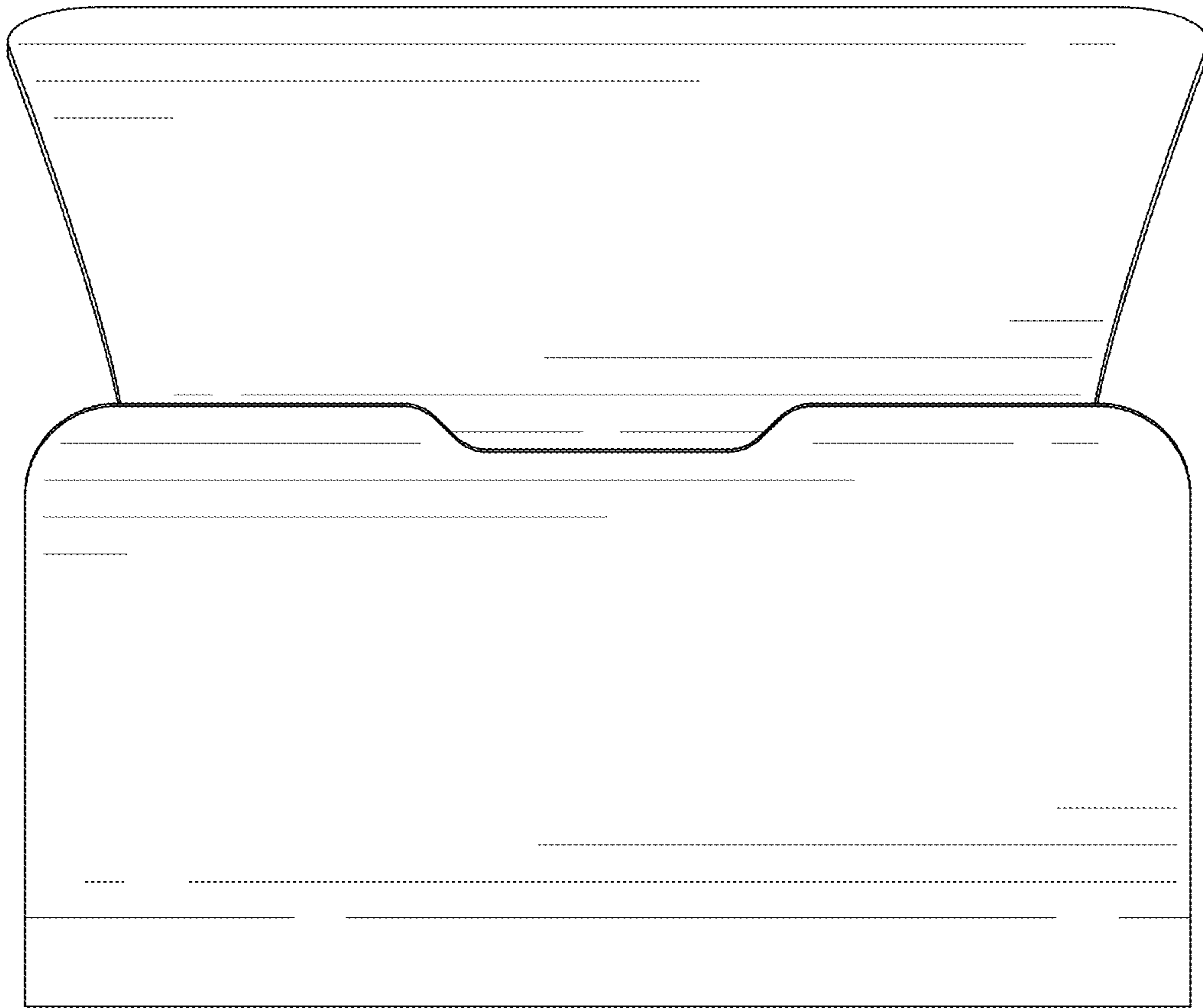


FIG. 3

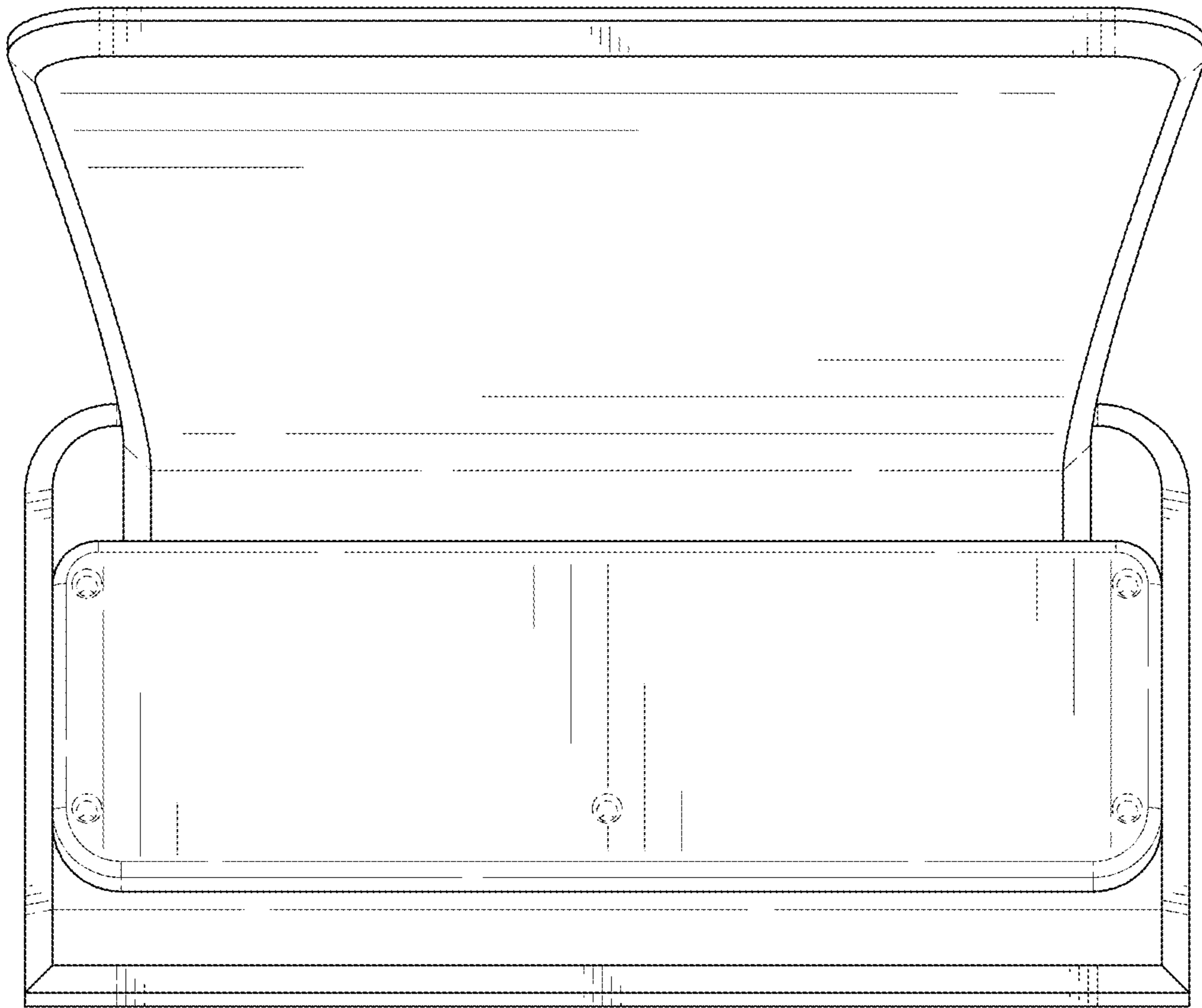


FIG. 4

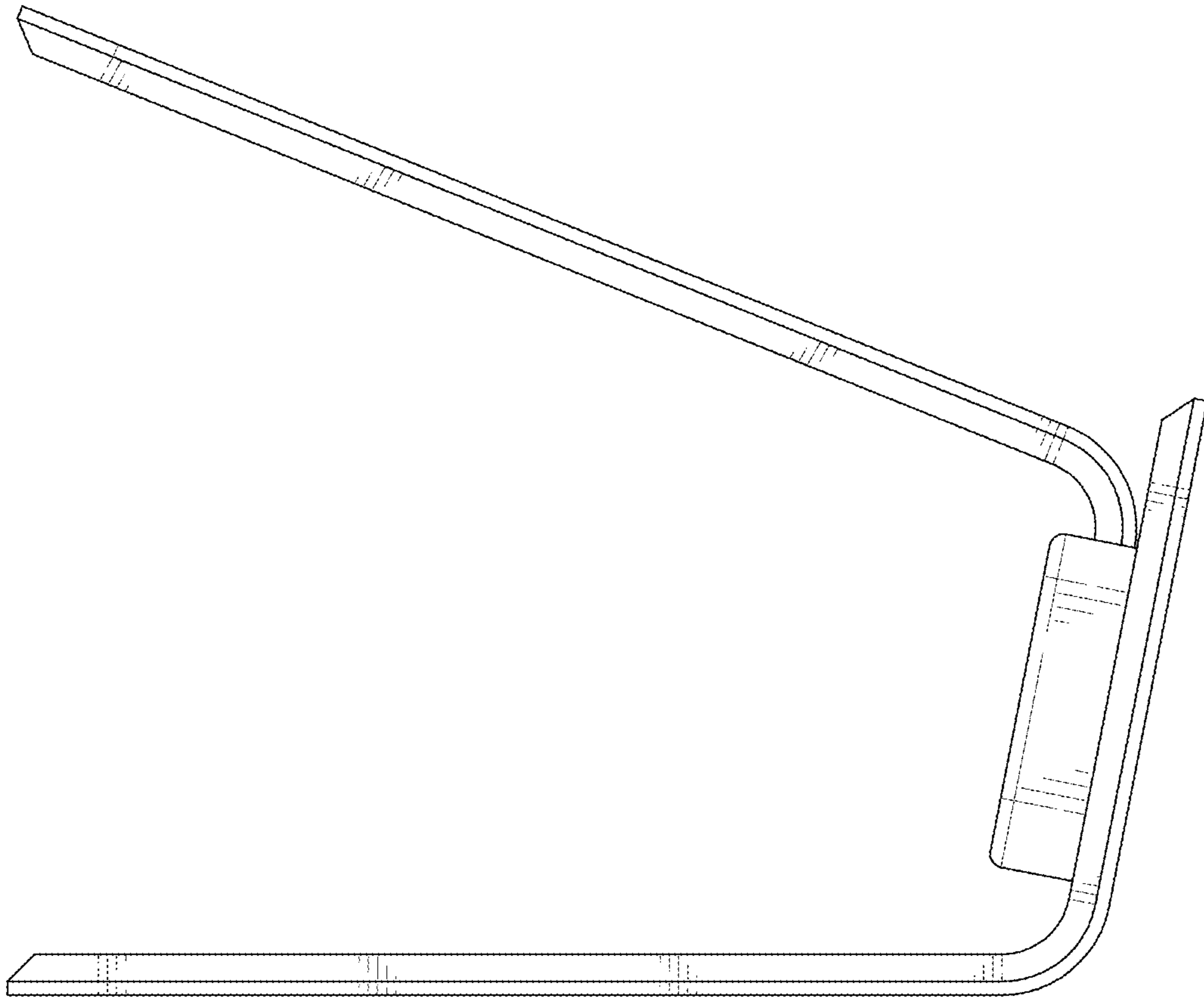


FIG. 5

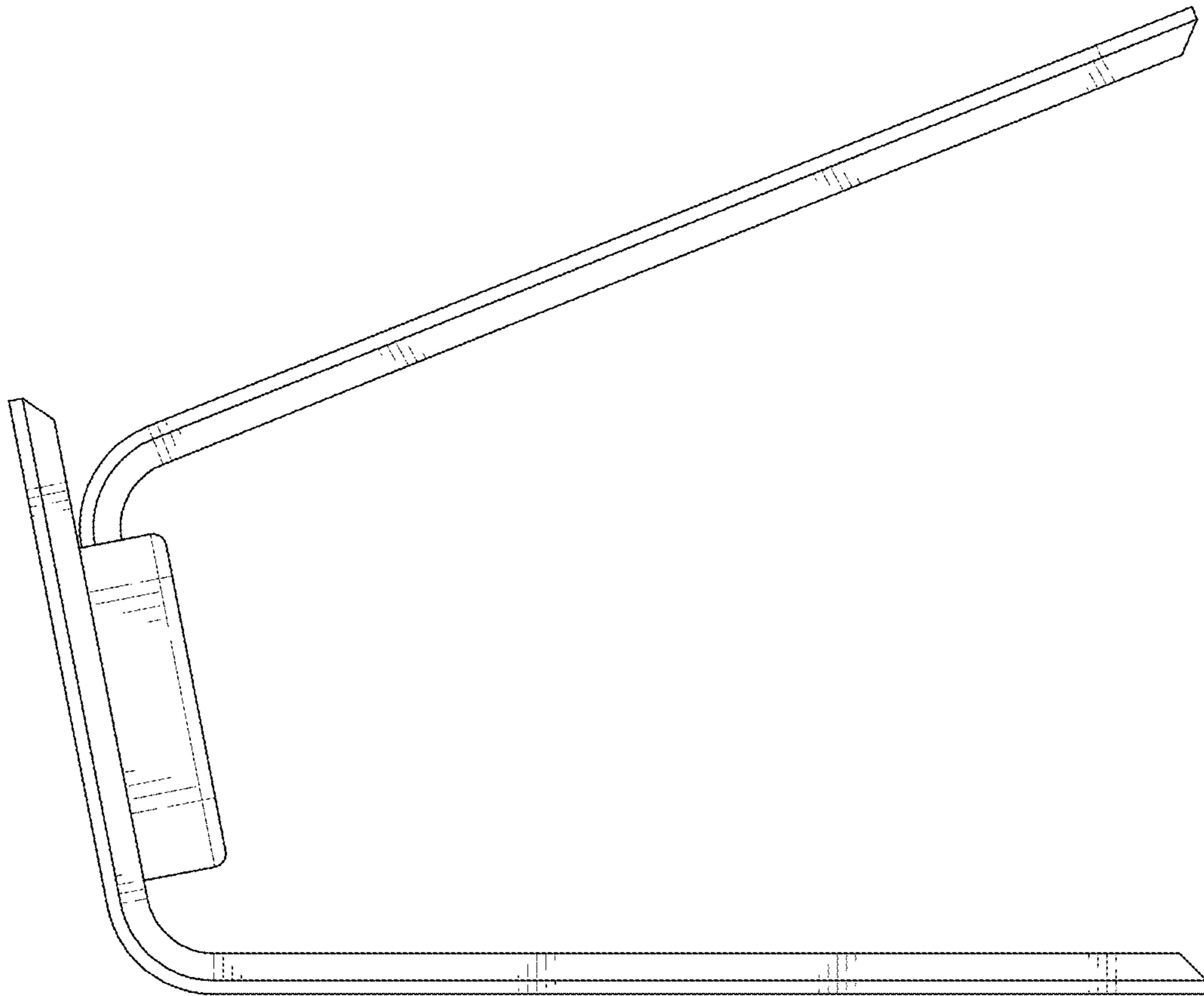


FIG. 6

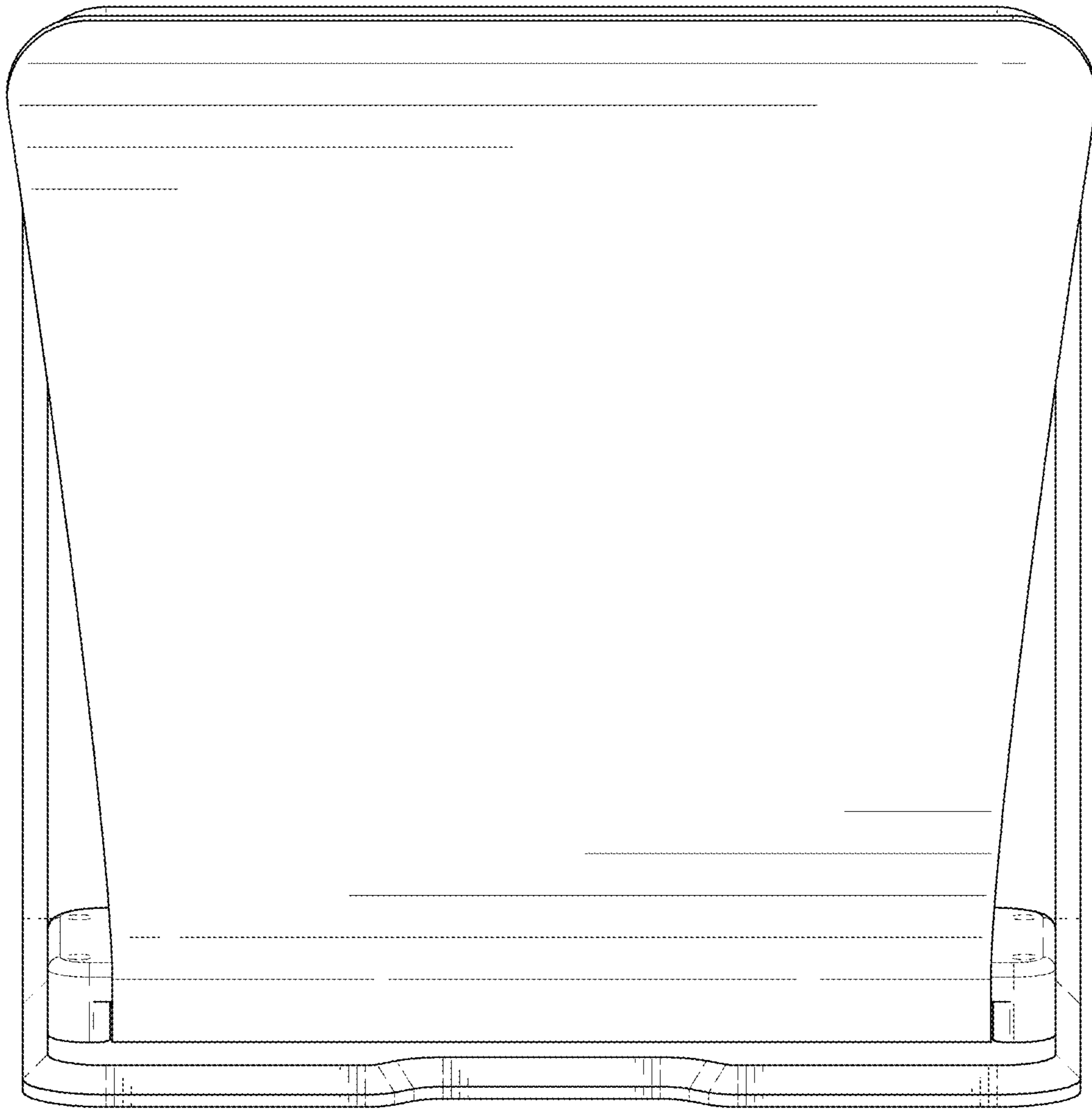


FIG. 7



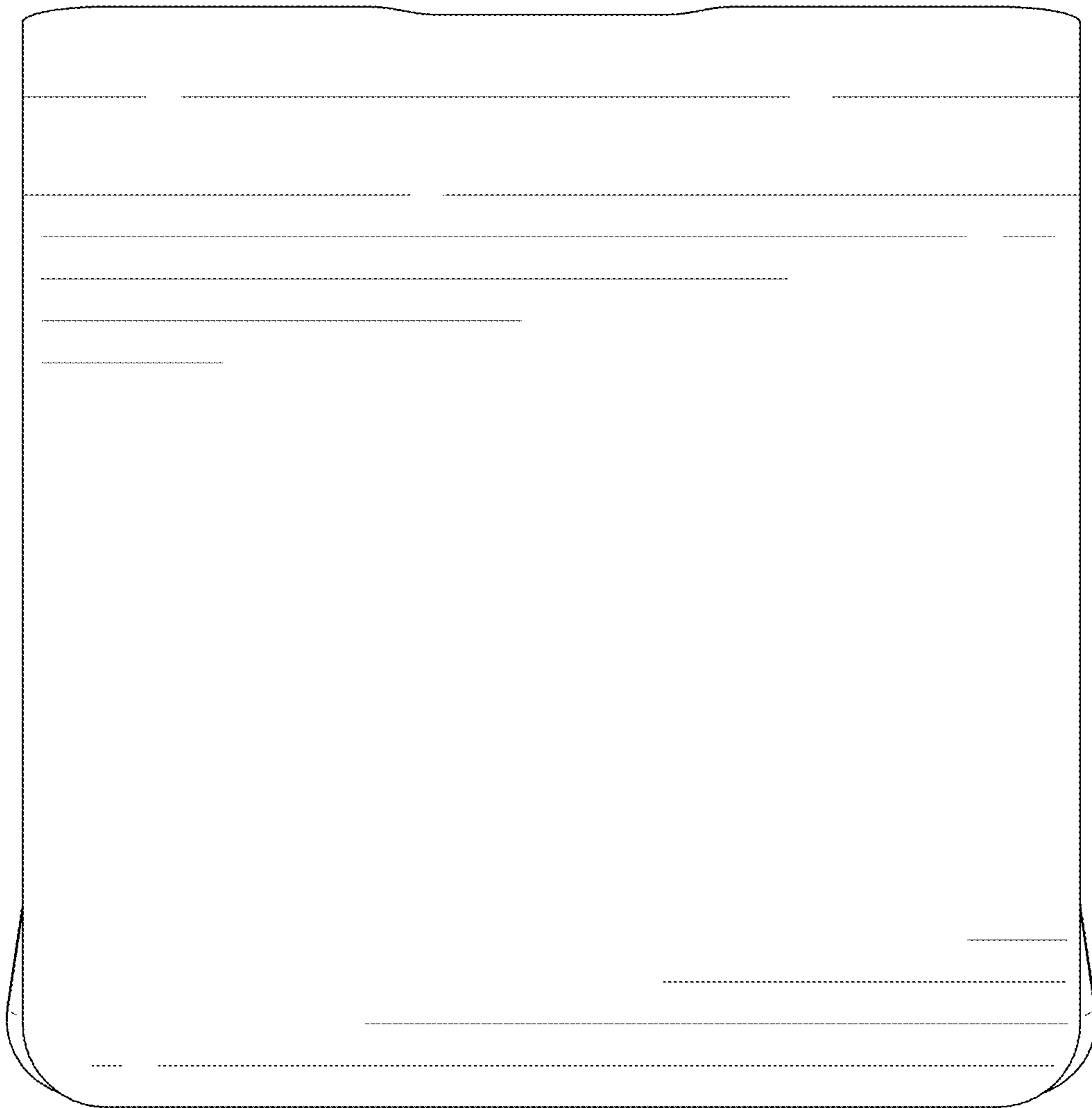


FIG. 8