



US00D923014S

(12) **United States Design Patent**
Heckler et al.

(10) **Patent No.:** **US D923,014 S**
(45) **Date of Patent:** **** Jun. 22, 2021**

(54) **WORKSTATION FOR NOTEBOOK COMPUTER**

DESCRIPTION

- (71) Applicant: **Hecktech, Inc.**, Phoenix, AZ (US)
- (72) Inventors: **Dean Heckler**, Phoenix, AZ (US); **Yao Wang**, Tempe, AZ (US)
- (73) Assignee: **Hecktech, Inc.**, Phoenix, AZ (US)
- (**) Term: **15 Years**
- (21) Appl. No.: **29/730,372**
- (22) Filed: **Apr. 3, 2020**
- (51) **LOC (13) Cl.** **08-07**
- (52) **U.S. Cl.**
USPC **D14/447**
- (58) **Field of Classification Search**
USPC D14/447, 432, 434, 439, 440, 451, 452,
D14/457, 239, 253; D8/363, 373, 380;
D6/406.3, 406.4, 406.5, 406.6; D12/415
CPC A47B 21/04; A47B 2097/006; A47B
2097/005; A47B 2023/049; A45C
2011/002; A45C 2011/003; F16M
2200/00; F16M 13/00
See application file for complete search history.

(56) **References Cited**

U.S. PATENT DOCUMENTS

- D472,403 S * 4/2003 Bogish D6/675
- D589,964 S * 4/2009 Heggland D14/434
- D674,805 S * 1/2013 Vincent D14/447
- D703,677 S * 4/2014 Bigazzi D14/447

(Continued)

Primary Examiner — Angela J Lee

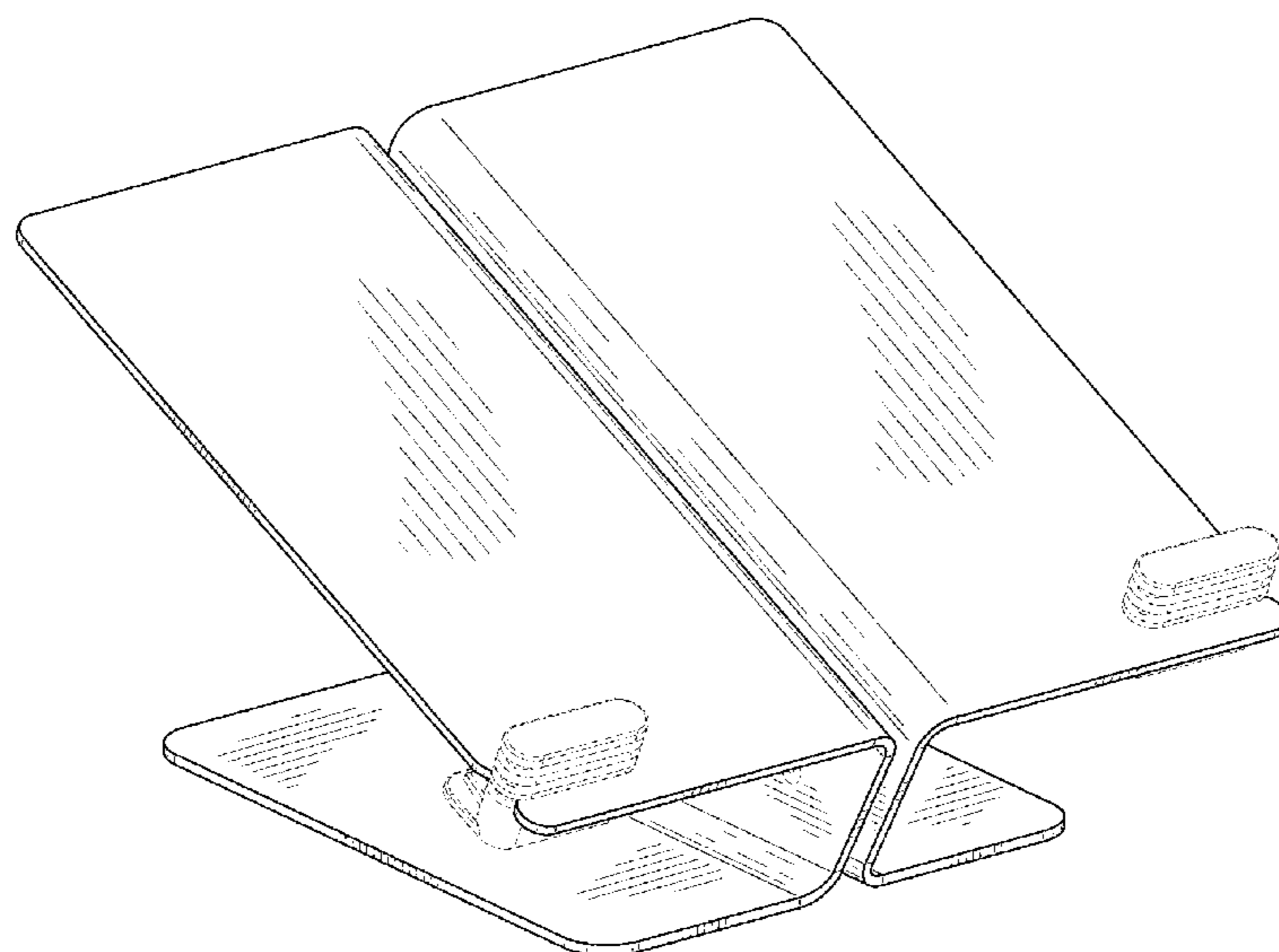
(74) *Attorney, Agent, or Firm* — Hartman Titus PLC;
John D. Titus

(57) **CLAIM**

The ornamental design for a workstation for notebook computer, as shown and described.

FIG. 1 is a front perspective view of a workstation for notebook computer showing an embodiment of my new design;
 FIG. 2 is a rear perspective view of the workstation for notebook computer shown in FIG. 1;
 FIG. 3 is a top view of the workstation for notebook computer shown in FIG. 1;
 FIG. 4 is a bottom view of the workstation for notebook computer shown in FIG. 1;
 FIG. 5 is a right side view of the workstation for notebook computer shown in FIG. 1, but shown in use with a notebook computer shown in broken lines;
 FIG. 6 is a front view of the workstation for notebook computer shown in FIG. 1;
 FIG. 7 is a rear view of the workstation for notebook computer shown in FIG. 1, but shown in use with a notebook computer shown in broken lines;
 FIG. 8 is an additional front perspective view of the workstation notebook computer, shown in FIG. 1, but shown in use with a notebook computer shown in broken lines;
 FIG. 9 is a front perspective view of an alternative embodiment of a workstation for notebook computer;
 FIG. 10 is a rear perspective view of the workstation for notebook computer shown in FIG. 9.
 FIG. 11 is a top view of the workstation for notebook computer shown in FIG. 9;
 FIG. 12 is a bottom view of the workstation for notebook computer shown in FIG. 9;
 FIG. 13 is a right side view of the workstation for notebook computer shown in FIG. 9;
 FIG. 14 is a front view of the workstation for notebook computer shown in FIG. 9; and,
 FIG. 15 is a rear view of the workstation for notebook computer shown in FIG. 9.
 The broken lines in the drawing figures form no part of the claimed design.

1 Claim, 15 Drawing Sheets



(56)

References Cited

U.S. PATENT DOCUMENTS

D707,230 S *	6/2014	Castronovo	D14/447
D746,292 S *	12/2015	Heckler	D14/447
D746,824 S *	1/2016	Heckler	D14/447
D868,073 S *	11/2019	Smith	D14/447
D874,455 S *	2/2020	Akagawa	D14/253
D880,471 S *	4/2020	Yoo	D14/253
D902,217 S *	11/2020	Zhang	D14/447
D903,689 S *	12/2020	Zheng	D14/447

* cited by examiner

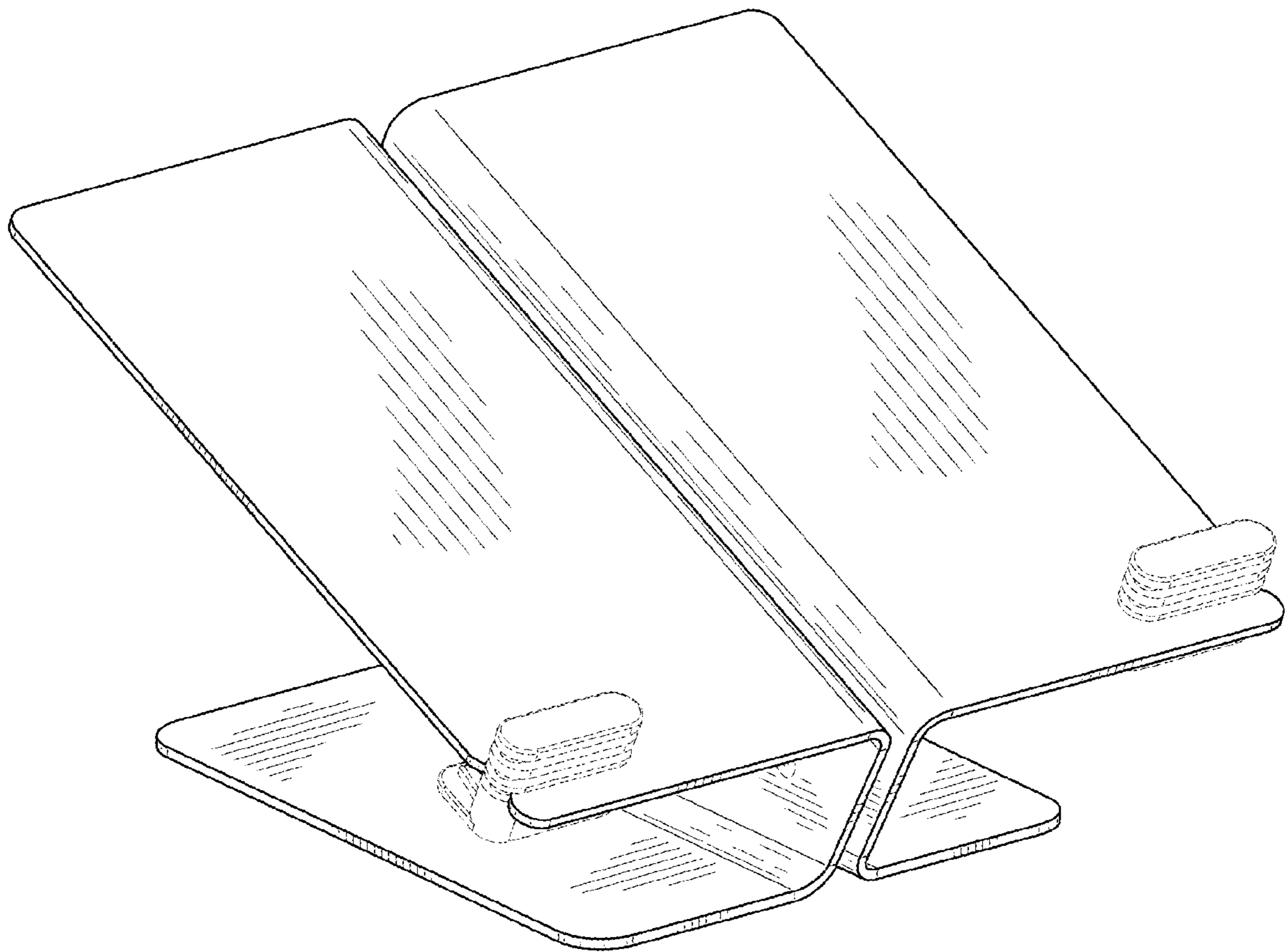


FIG. 1

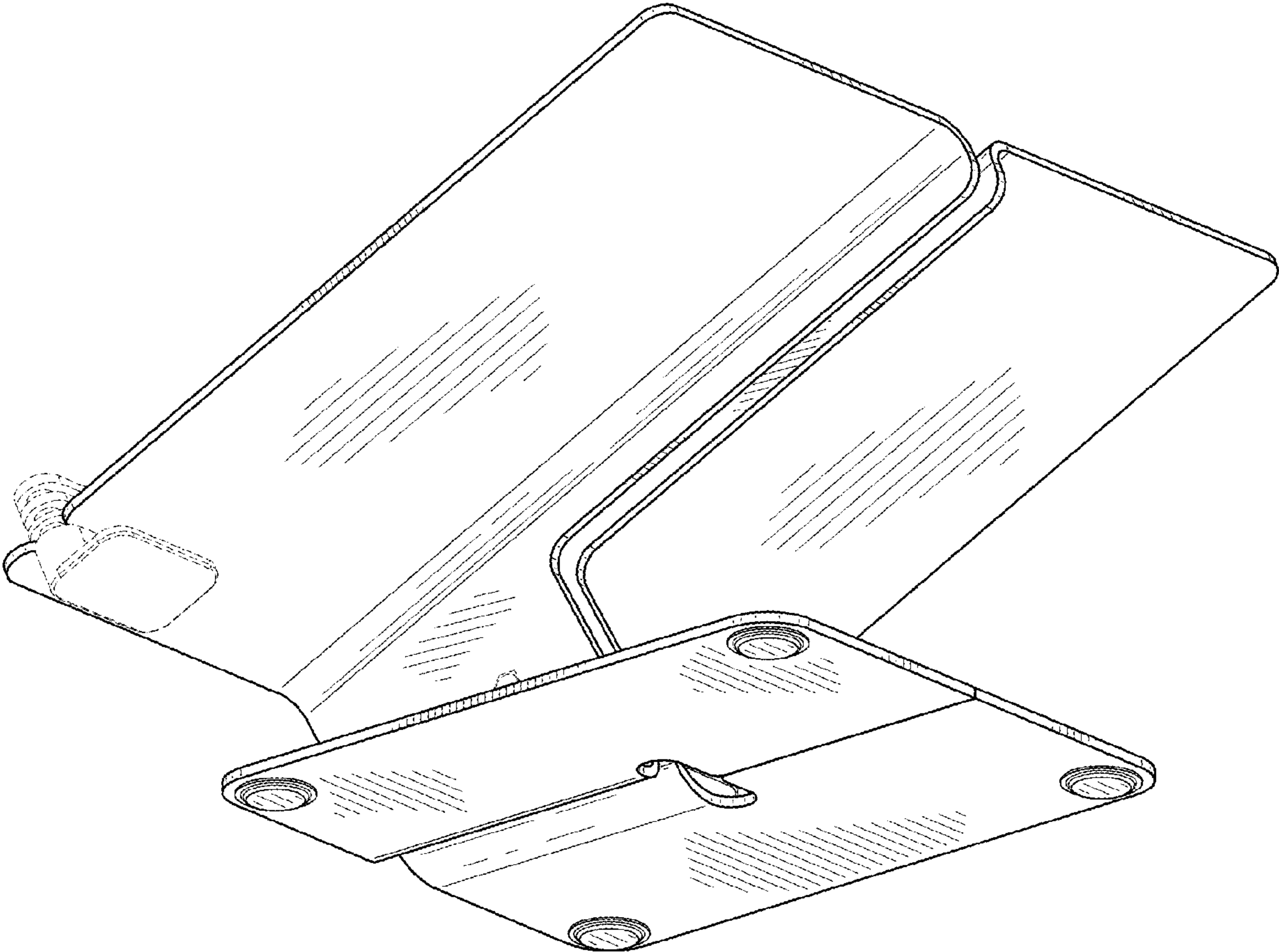


FIG. 2

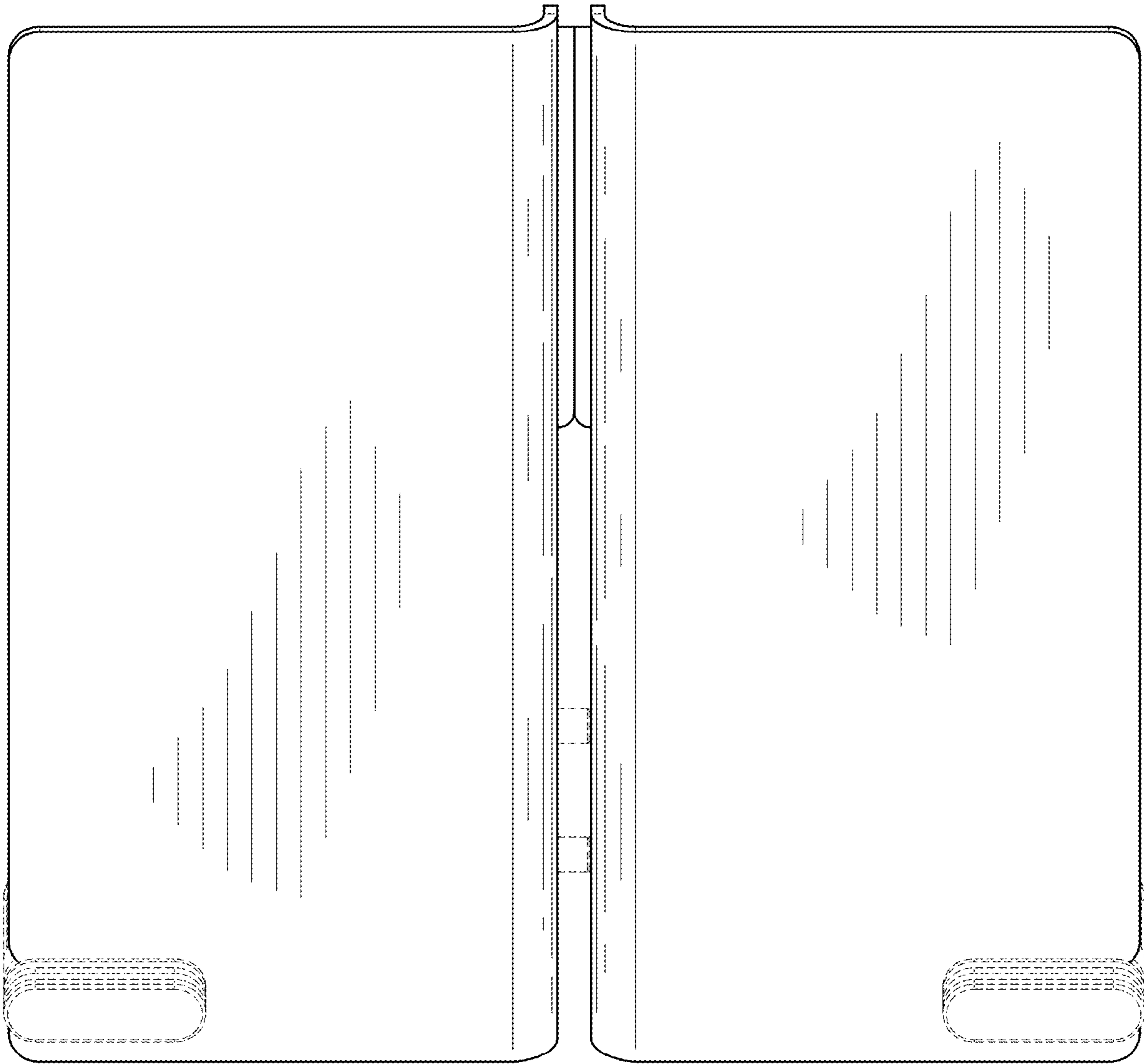


FIG. 3

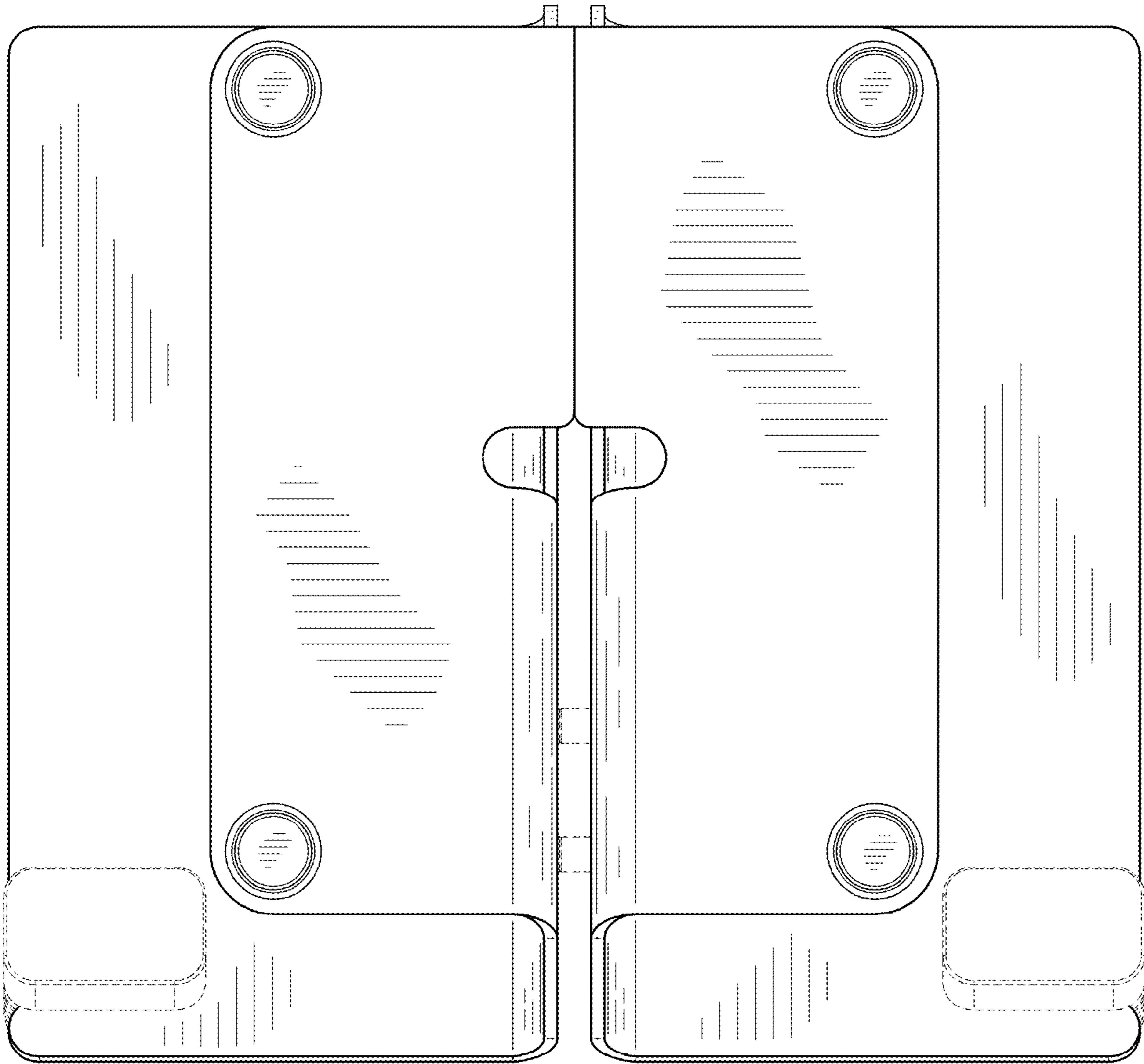


FIG. 4

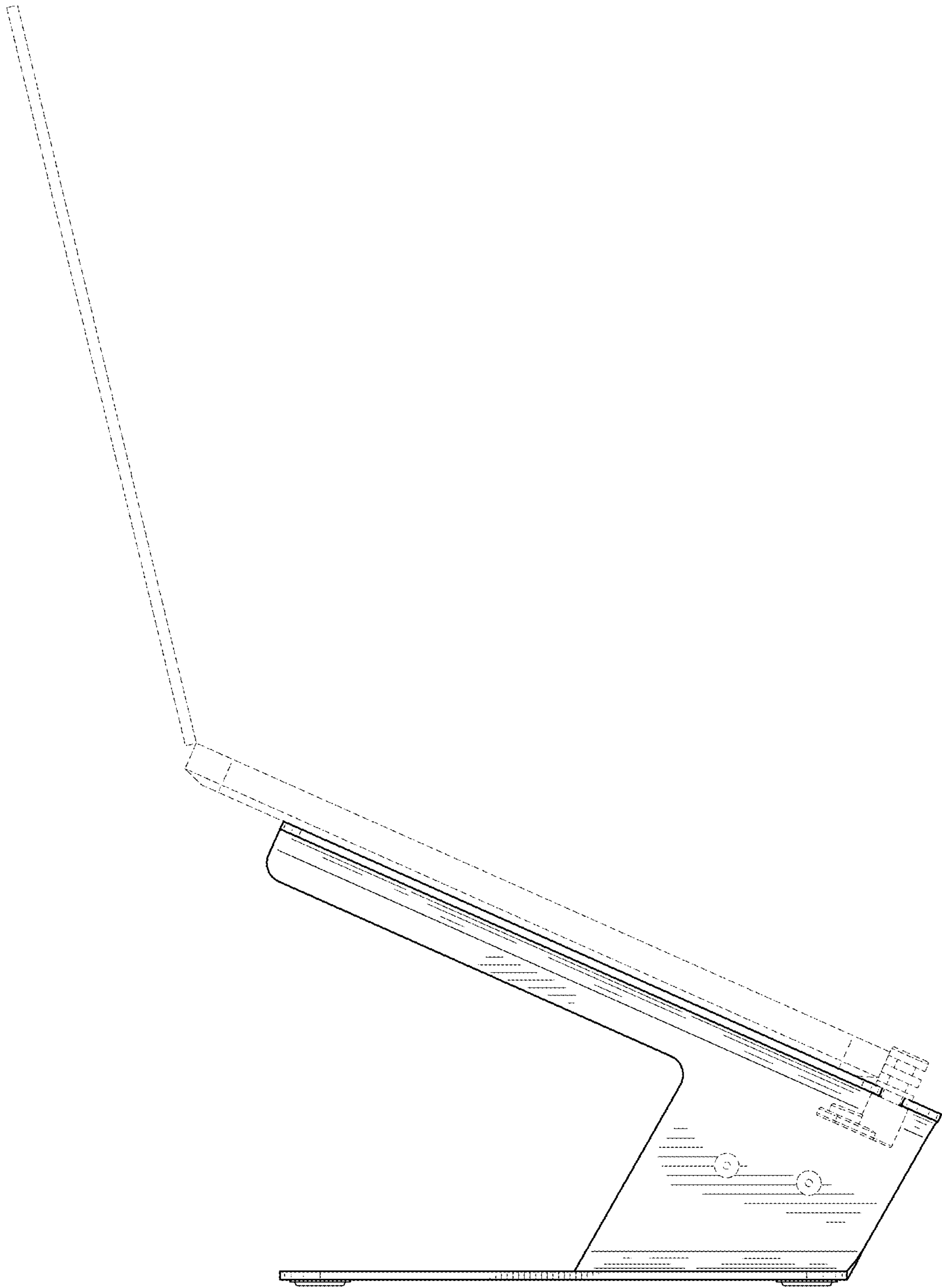


FIG. 5

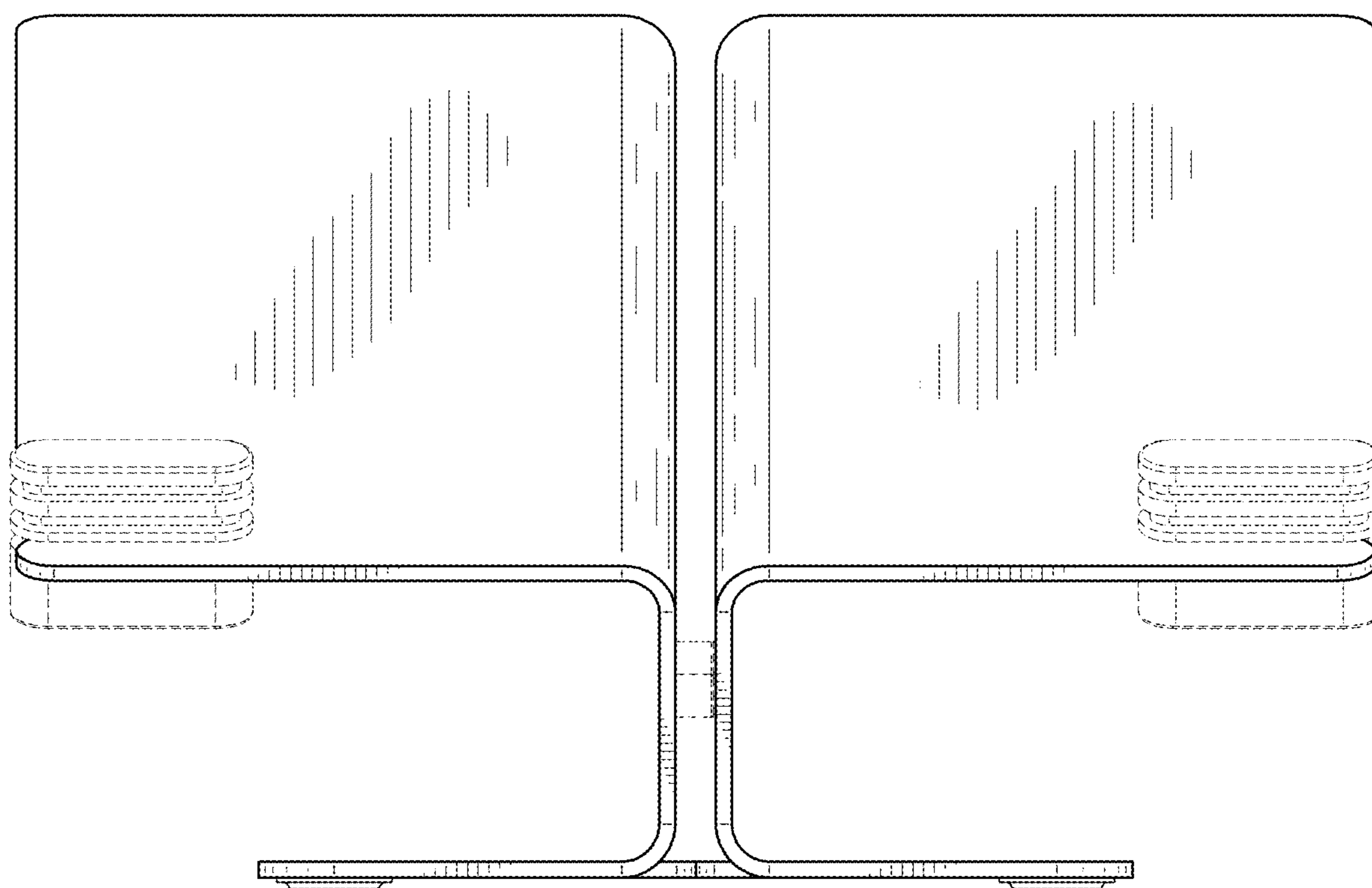


FIG. 6

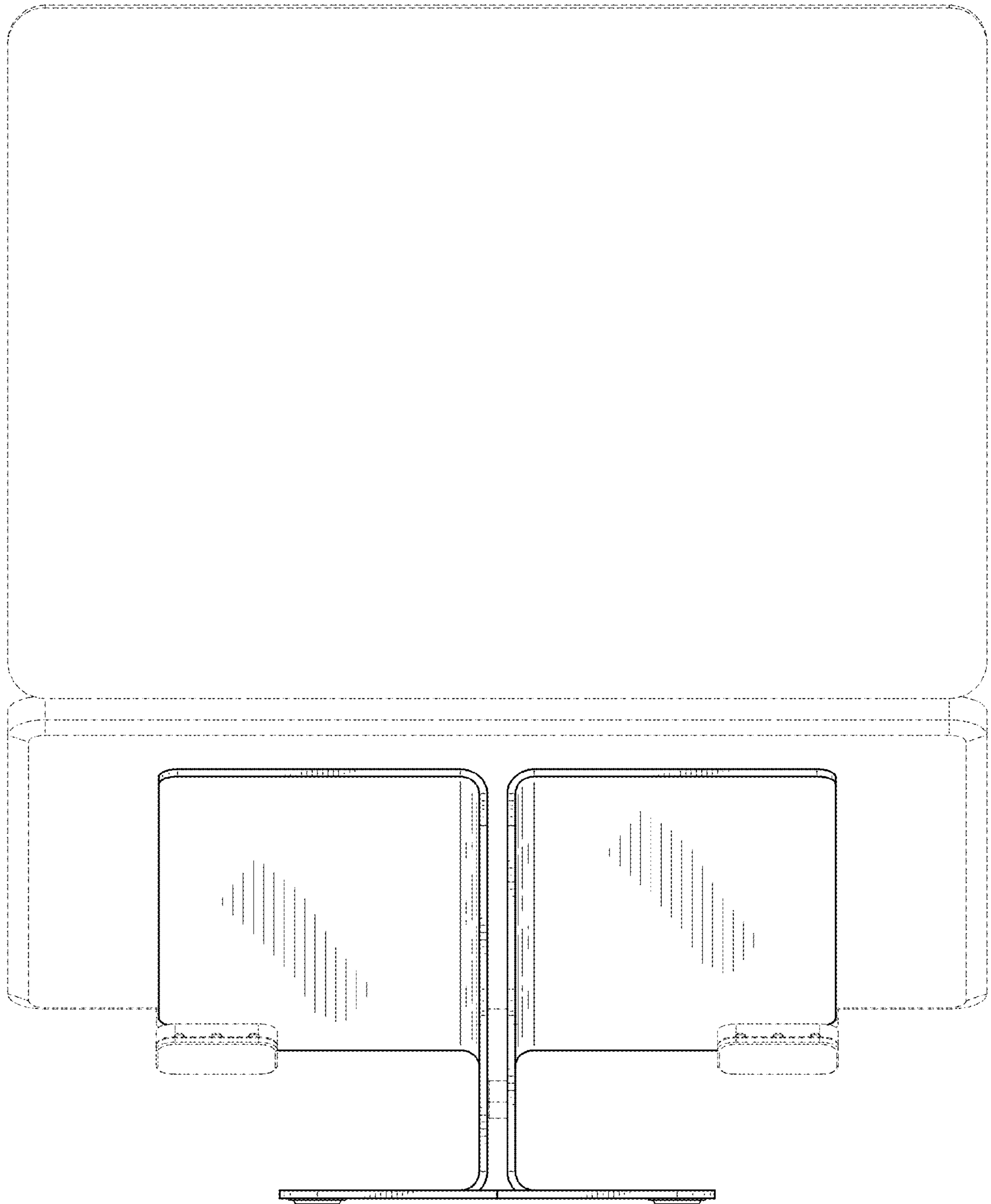


FIG. 7

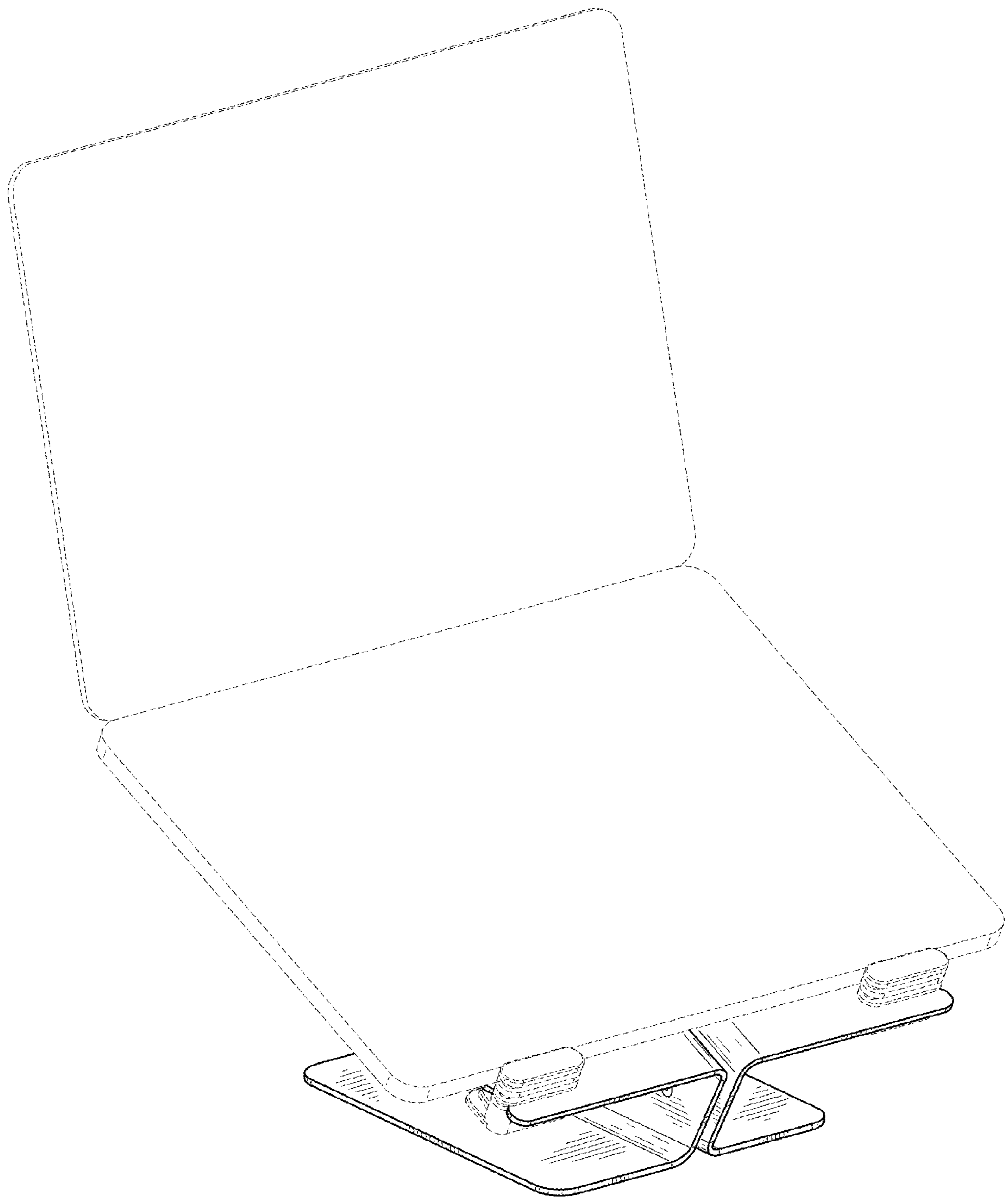


FIG. 8

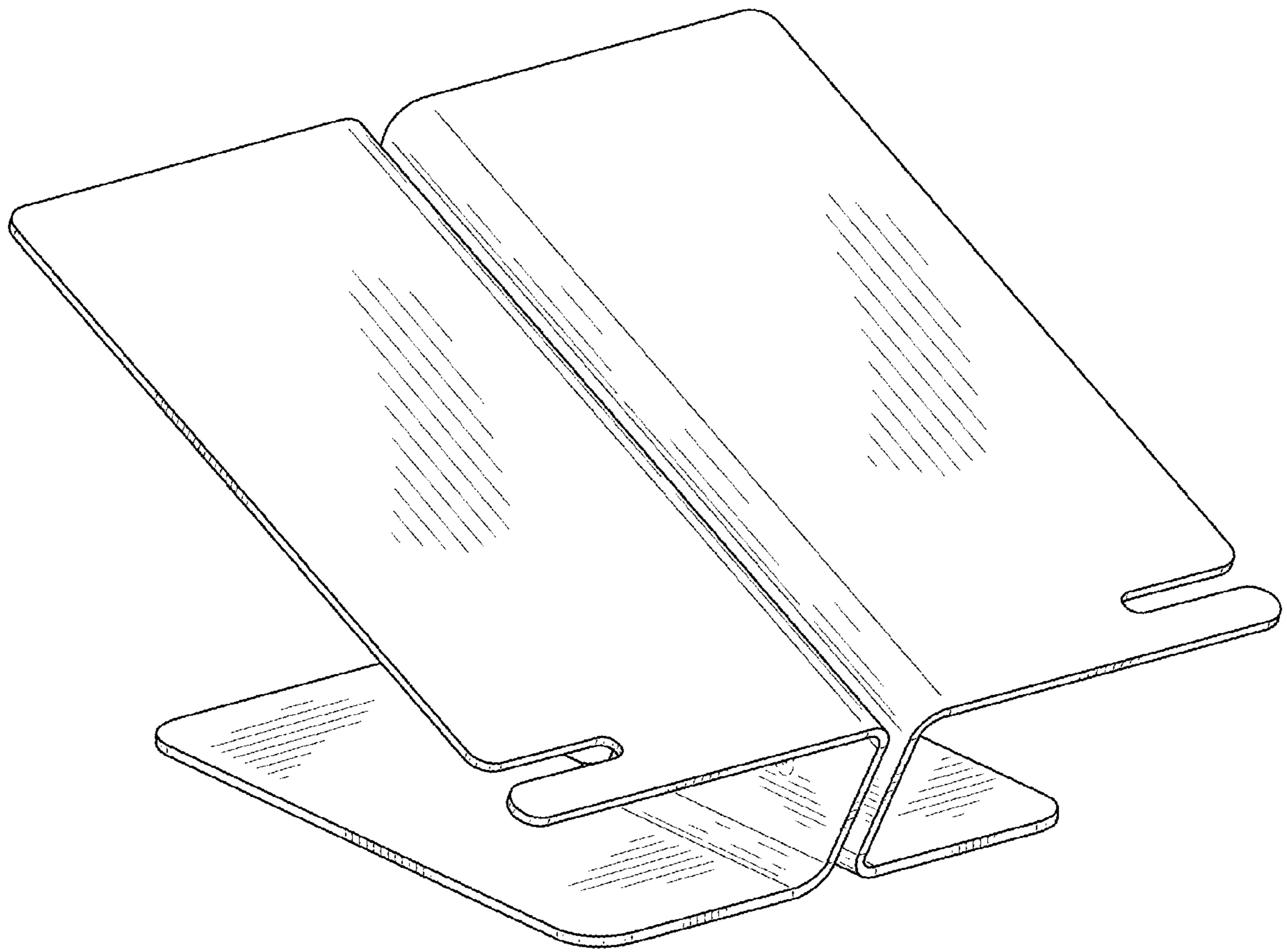


FIG. 9

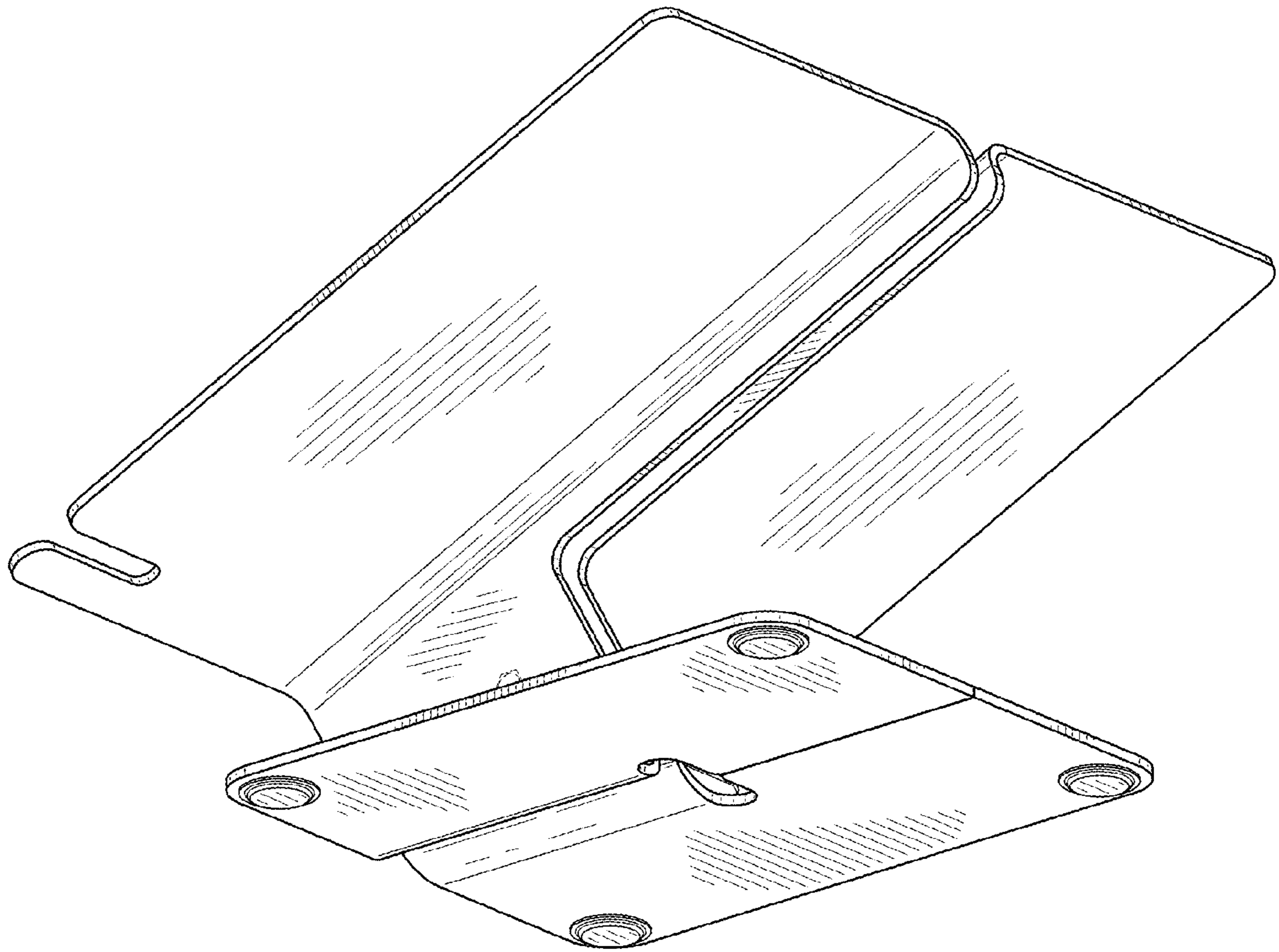


FIG. 10

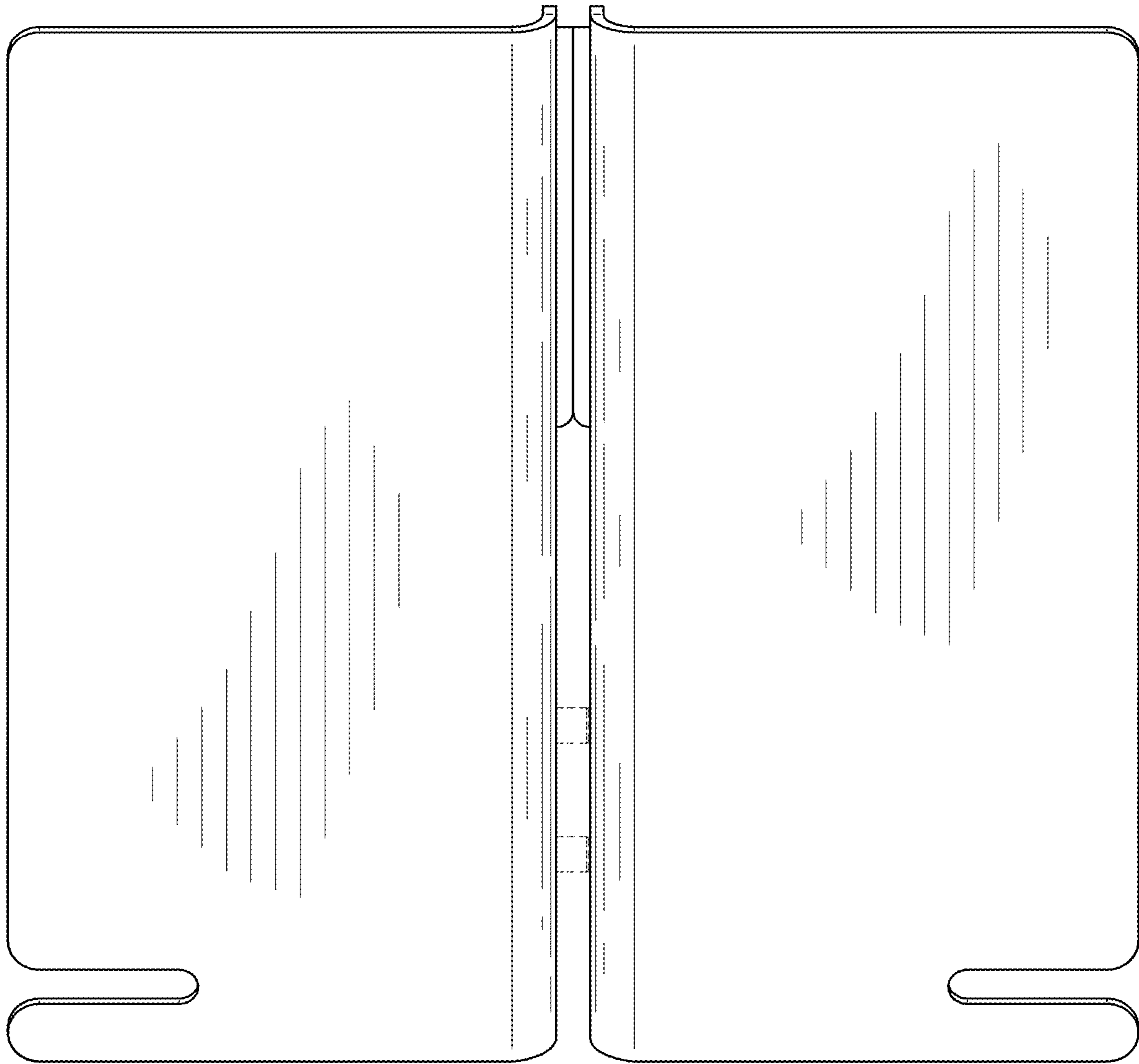


FIG. 11

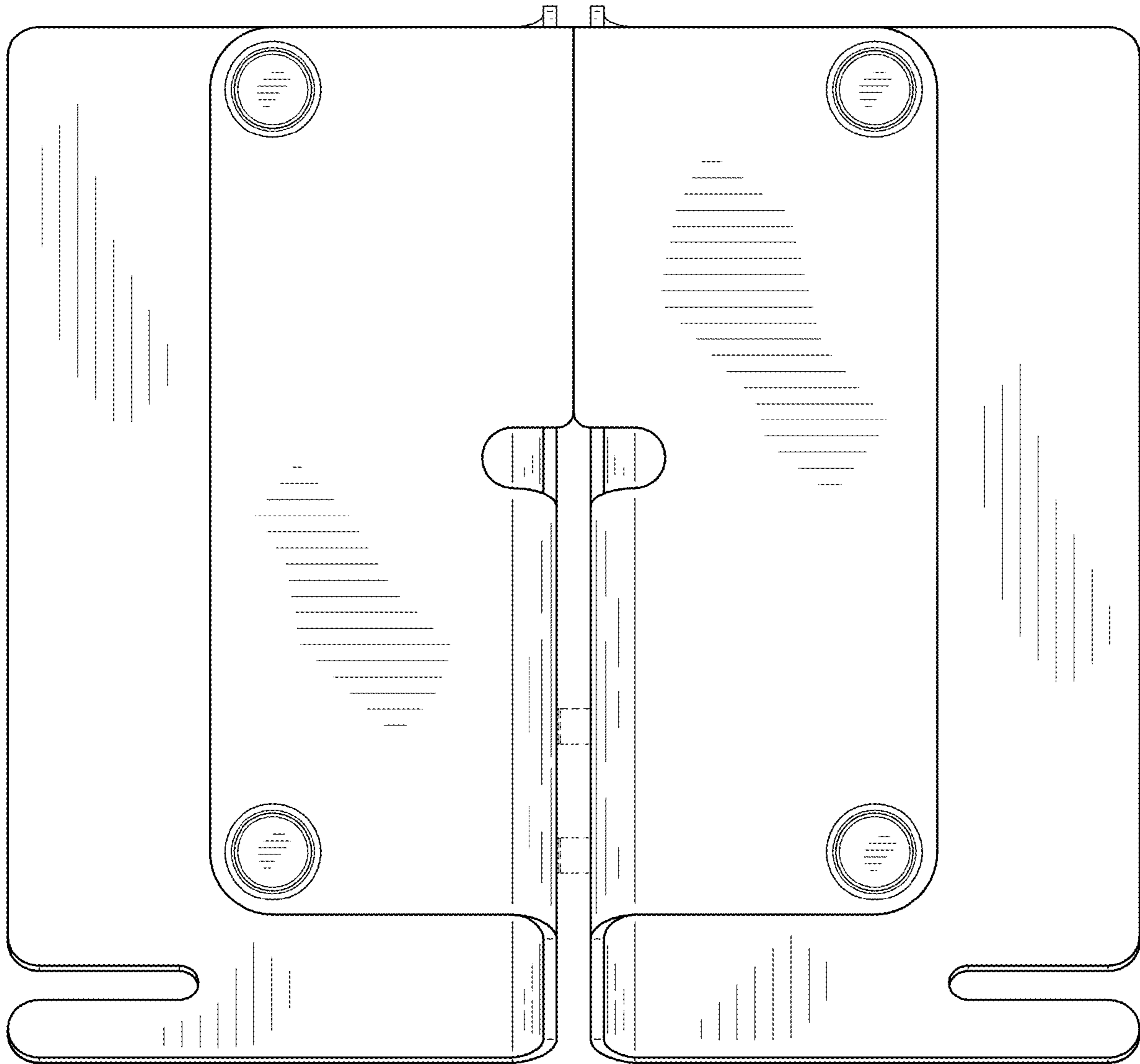


FIG. 12

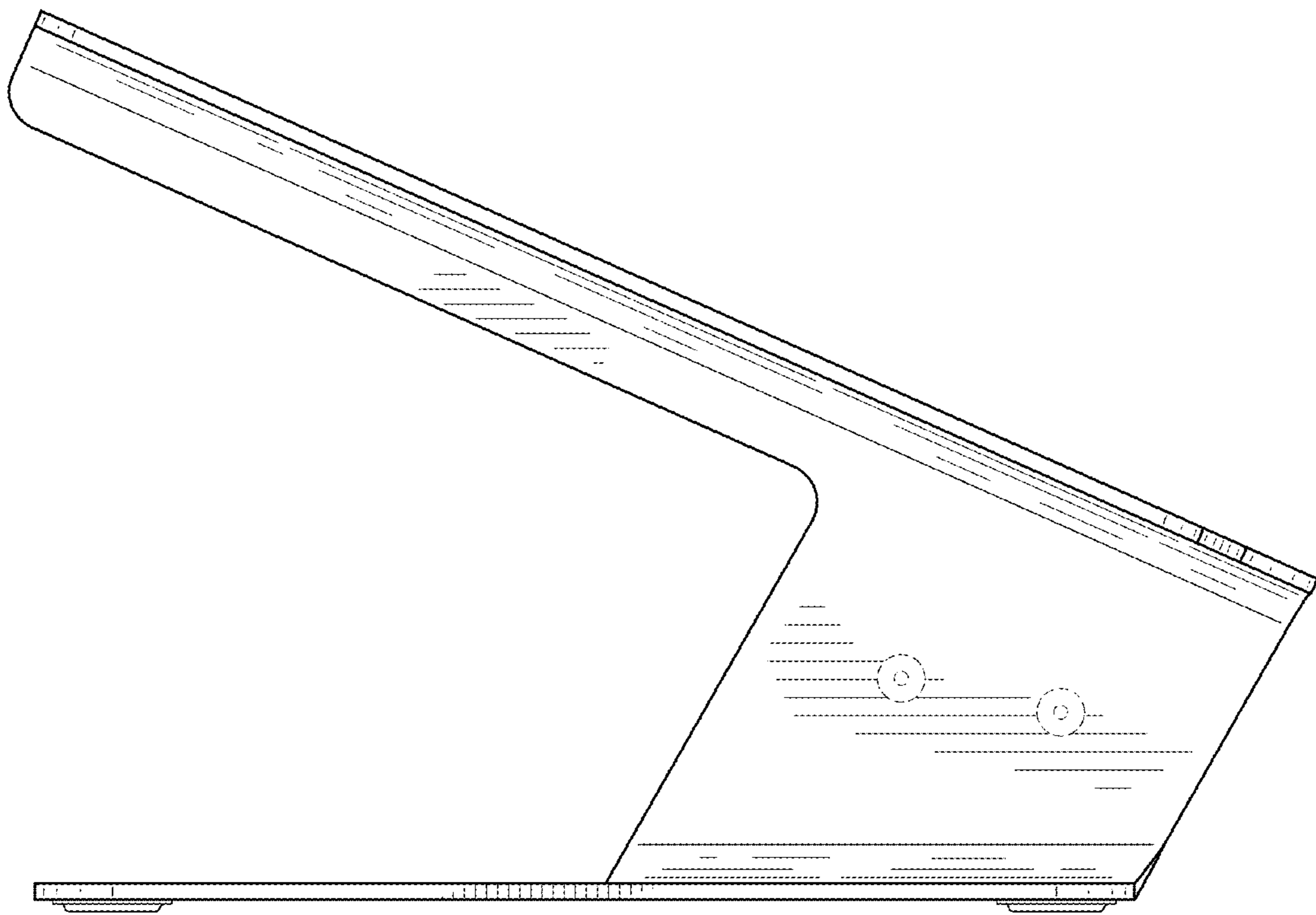


FIG. 13

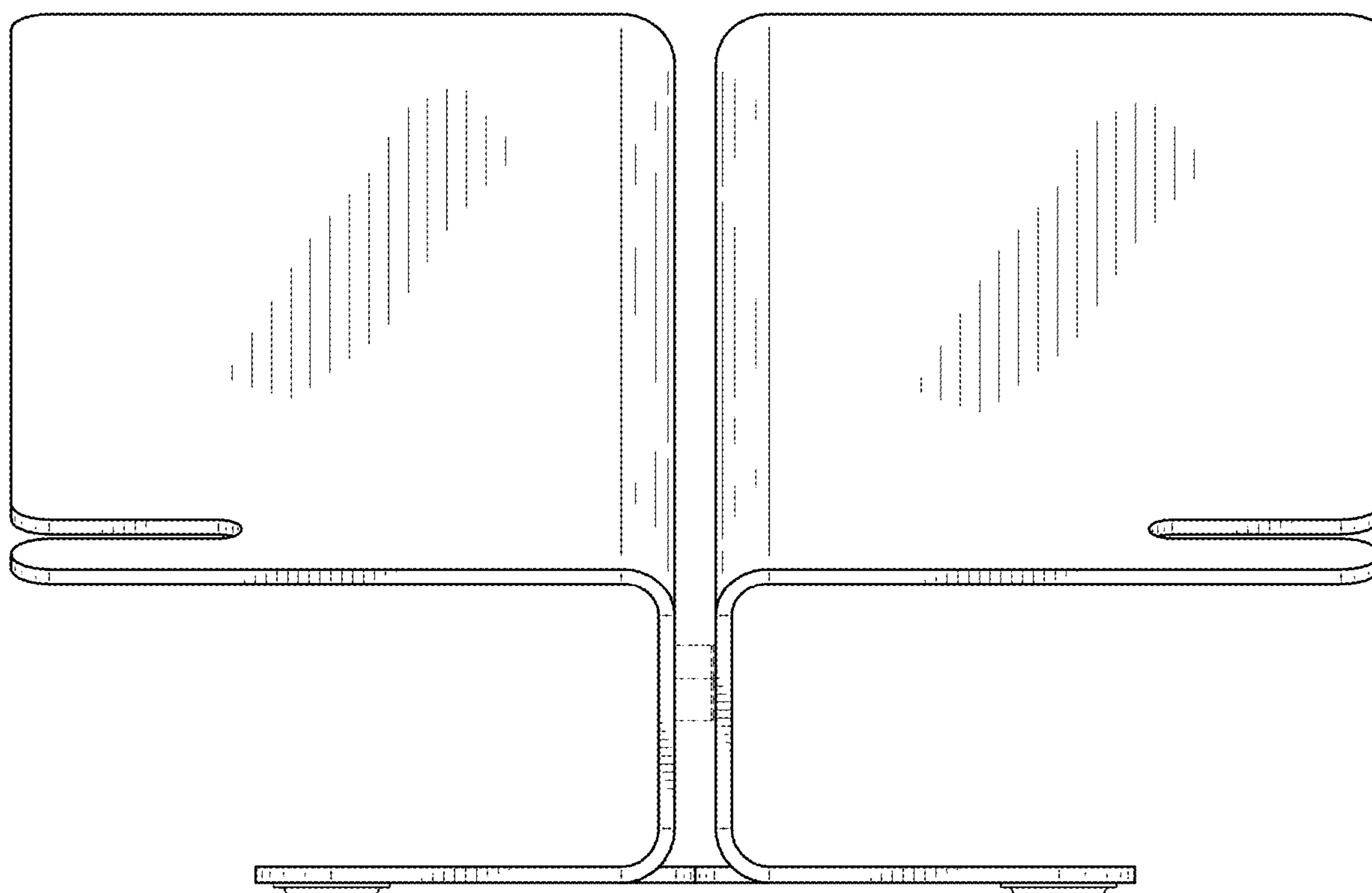


FIG. 14

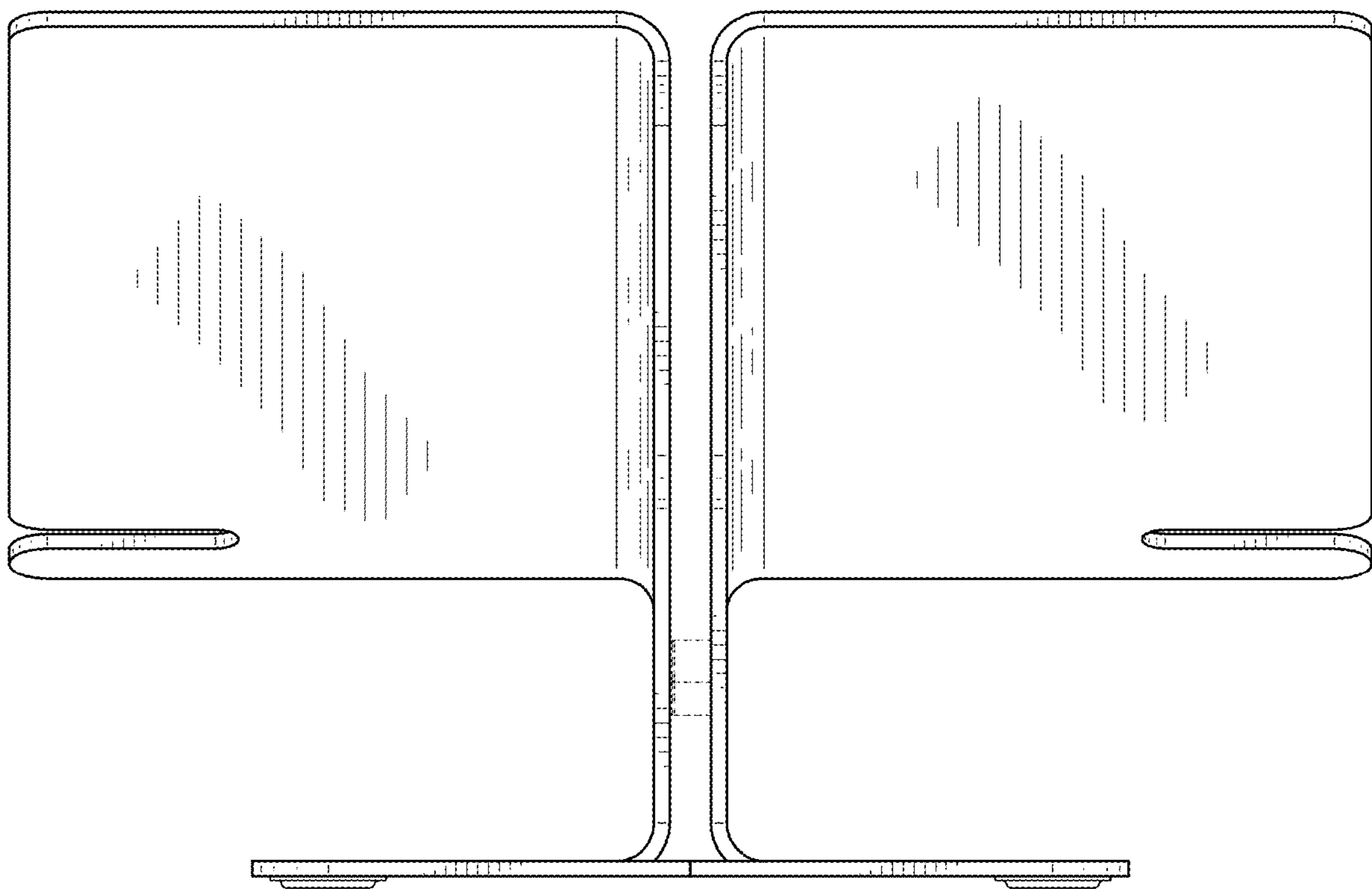


FIG. 15