



US00D923012S

(12) **United States Design Patent**
Li

(10) **Patent No.:** **US D923,012 S**

(45) **Date of Patent:** **** Jun. 22, 2021**

(54) **CASE FOR PORTABLE COMPUTER**

(71) Applicant: **Huaiwen Li**, Guangdong (CN)

(72) Inventor: **Huaiwen Li**, Guangdong (CN)

(**) Term: **15 Years**

(21) Appl. No.: **29/730,864**

(22) Filed: **Apr. 9, 2020**

(51) **LOC (13) Cl.** **14-02**

(52) **U.S. Cl.**
USPC **D14/440**

(58) **Field of Classification Search**
USPC D14/440, 447, 250; 206/45.23, 320,
206/45.2; 361/679.55; 294/25; 224/218
CPC ... G06F 1/1628; G06F 1/1626; A47B 23/044;
H04B 1/3888
See application file for complete search history.

(56) **References Cited**

U.S. PATENT DOCUMENTS

D597,052 S *	7/2009	Kim	D14/138 AB
D634,314 S *	3/2011	Fahrendorff	D14/250
D649,144 S *	11/2011	Fathollahi	D14/250
D685,358 S *	7/2013	Armstrong	D14/250
D685,786 S *	7/2013	Seoc	D14/353
D690,292 S *	9/2013	Bibla	D14/250
D715,785 S *	10/2014	Jacob	D14/250
D718,316 S *	11/2014	Veltz	D14/440
D719,144 S *	12/2014	Eulette	D14/250
D721,686 S *	1/2015	Jacob	D14/250
D733,154 S *	6/2015	Armstrong	D14/440
D733,696 S *	7/2015	Burgett	D14/250
D742,869 S *	11/2015	Odhwani	D14/250
D768,123 S *	10/2016	Armstrong	D14/250
D770,458 S *	11/2016	Corcoran	D14/440
D772,288 S *	11/2016	Montes	D14/489
D775,198 S *	12/2016	Montes	D14/489
D794,626 S *	8/2017	Armstrong	D14/250

D806,082 S *	12/2017	Armstrong	D14/440
D832,269 S *	10/2018	Cheng	D14/440
D832,271 S *	10/2018	Cheng	D14/440
D834,026 S *	11/2018	Moore	D14/440
10,148,307 B2 *	12/2018	Shannon, III	G06F 1/1628
D843,377 S *	3/2019	Tang	D14/440
D844,621 S *	4/2019	Chen	D14/440
D848,435 S *	5/2019	Moore	D14/440
D850,453 S *	6/2019	Wu	D14/440
D851,648 S *	6/2019	Tan	D14/440
D852,203 S *	6/2019	Rui	D14/440
D861,665 S *	10/2019	Li	D14/250
D868,071 S *	11/2019	Liu	D14/440
D868,788 S *	12/2019	Weng	D14/440
D868,789 S *	12/2019	Weng	D14/440
D868,791 S *	12/2019	Weng	D14/440

(Continued)

Primary Examiner — Cynthia R Underwood

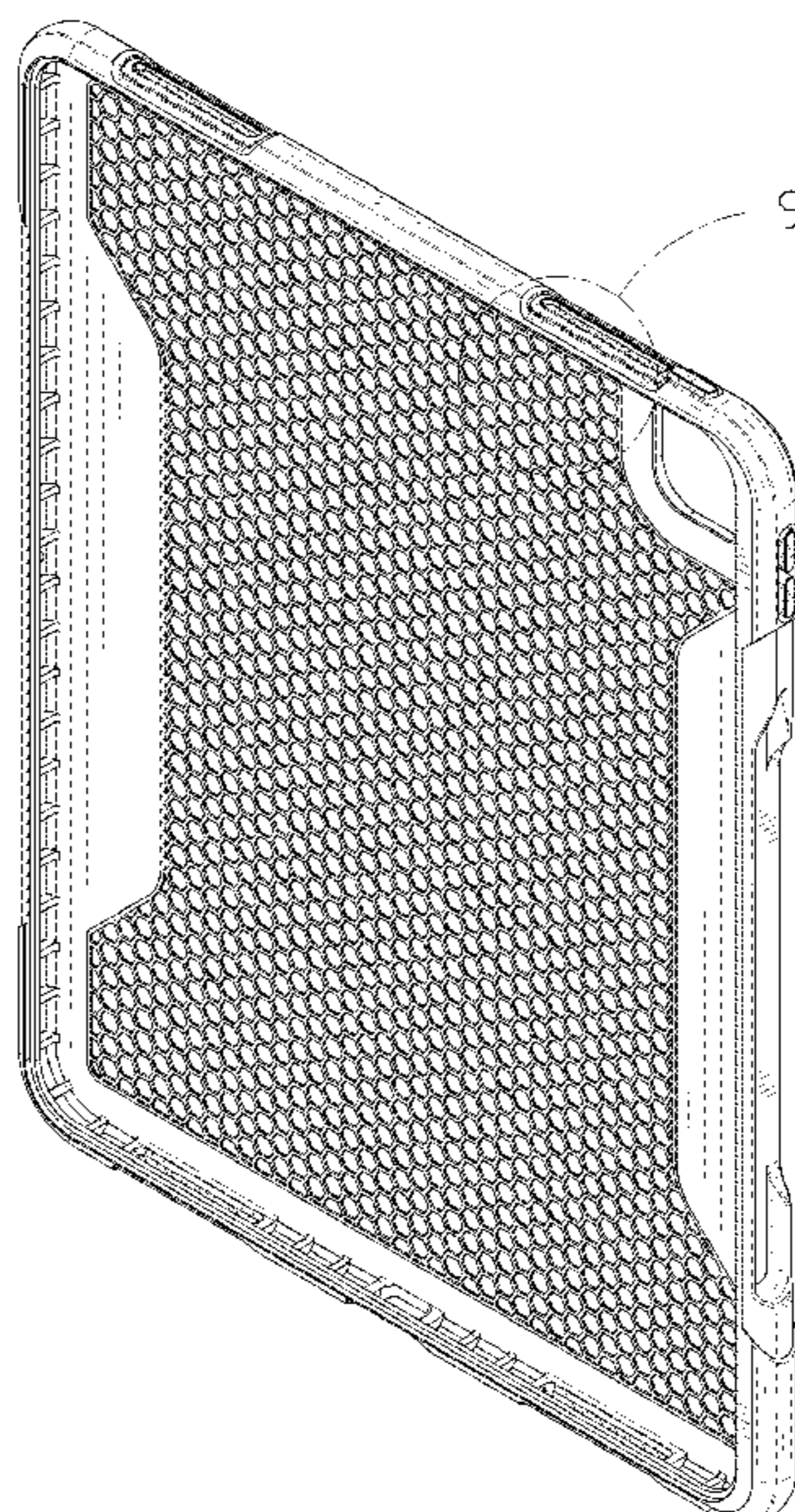
(57) **CLAIM**

The ornamental design for a case for portable computer, as shown and described.

DESCRIPTION

FIG. 1 is a front and top perspective view of a case for portable computer, showing my new design; FIG. 2 is a rear and bottom perspective view thereof; FIG. 3 is a front elevational view thereof; FIG. 4 is a rear elevational view thereof; FIG. 5 is a left side elevational view thereof; FIG. 6 is a right side elevational view thereof; FIG. 7 is a top plan view thereof; FIG. 8 is a bottom plan view thereof; and, FIG. 9 is an enlarged view of a portion indicated in FIG. 1. The broken lines in the figures illustrate portions of the case for portable computer that form no part of the claimed design. The dash dot dash lines in FIGS. 1 and 9 are for the purpose of depicting the cut line of the enlarged view and form no part of the claim.

1 Claim, 9 Drawing Sheets



(56)

References Cited

U.S. PATENT DOCUMENTS

D872,093 S * 1/2020 Xu D14/440
D875,089 S * 2/2020 Hemesath D14/250
D879,790 S * 3/2020 Donachy D14/444
D885,399 S * 5/2020 Chen D14/440
D888,719 S * 6/2020 Moore D14/440
D892,803 S * 8/2020 Armstrong D14/440
D911,349 S * 2/2021 Giazzon D14/440
2011/0297566 A1* 12/2011 Gallagher F16M 11/2021
206/320
2019/0142992 A1* 5/2019 Davidson C08G 18/10
424/445
2019/0144163 A1* 5/2019 Lim B65D 19/385
108/53.5
2019/0149808 A1* 5/2019 Ng H04N 13/398
348/59
2019/0275714 A1* 9/2019 Kanoh B29C 45/14065

* cited by examiner

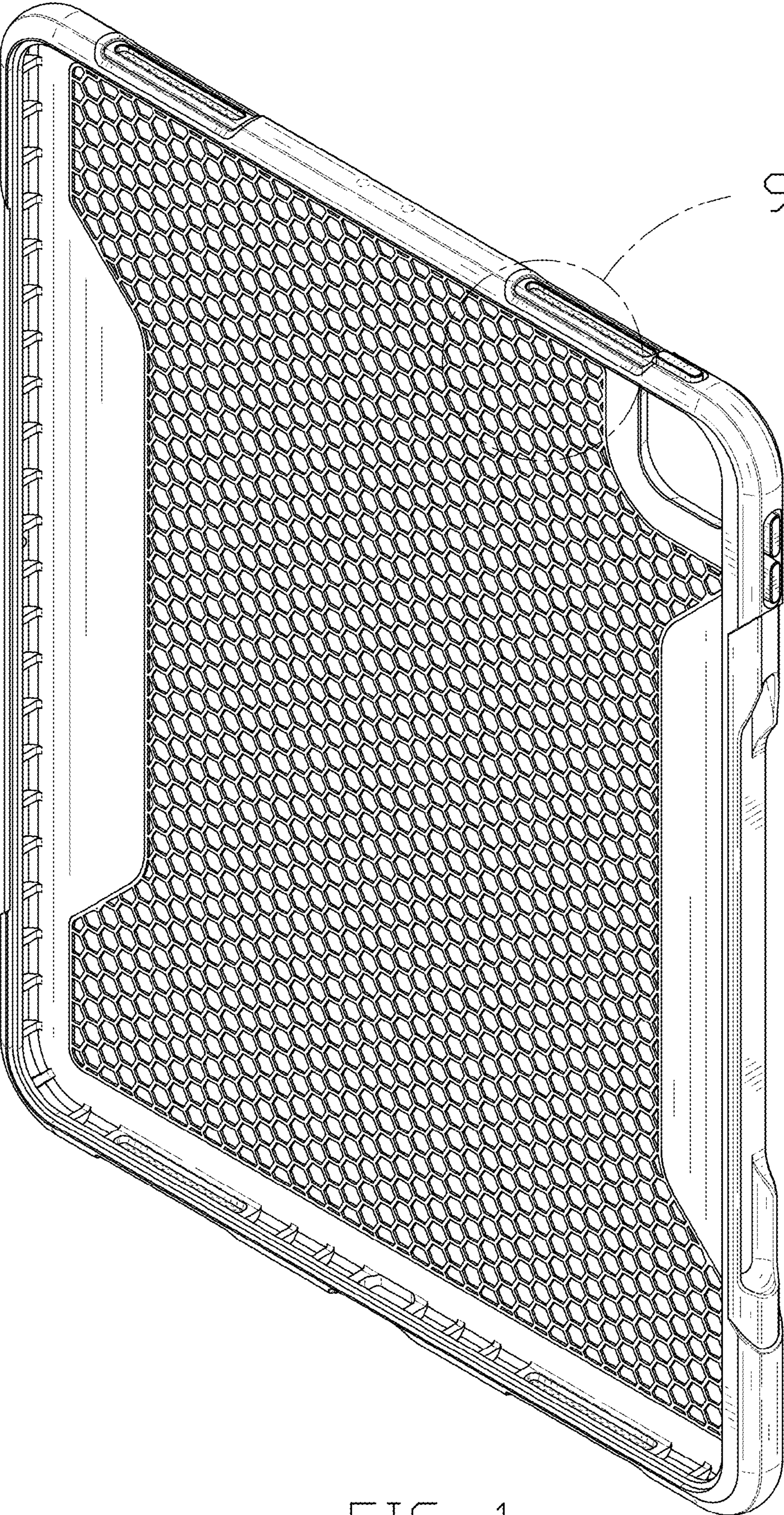


FIG. 1

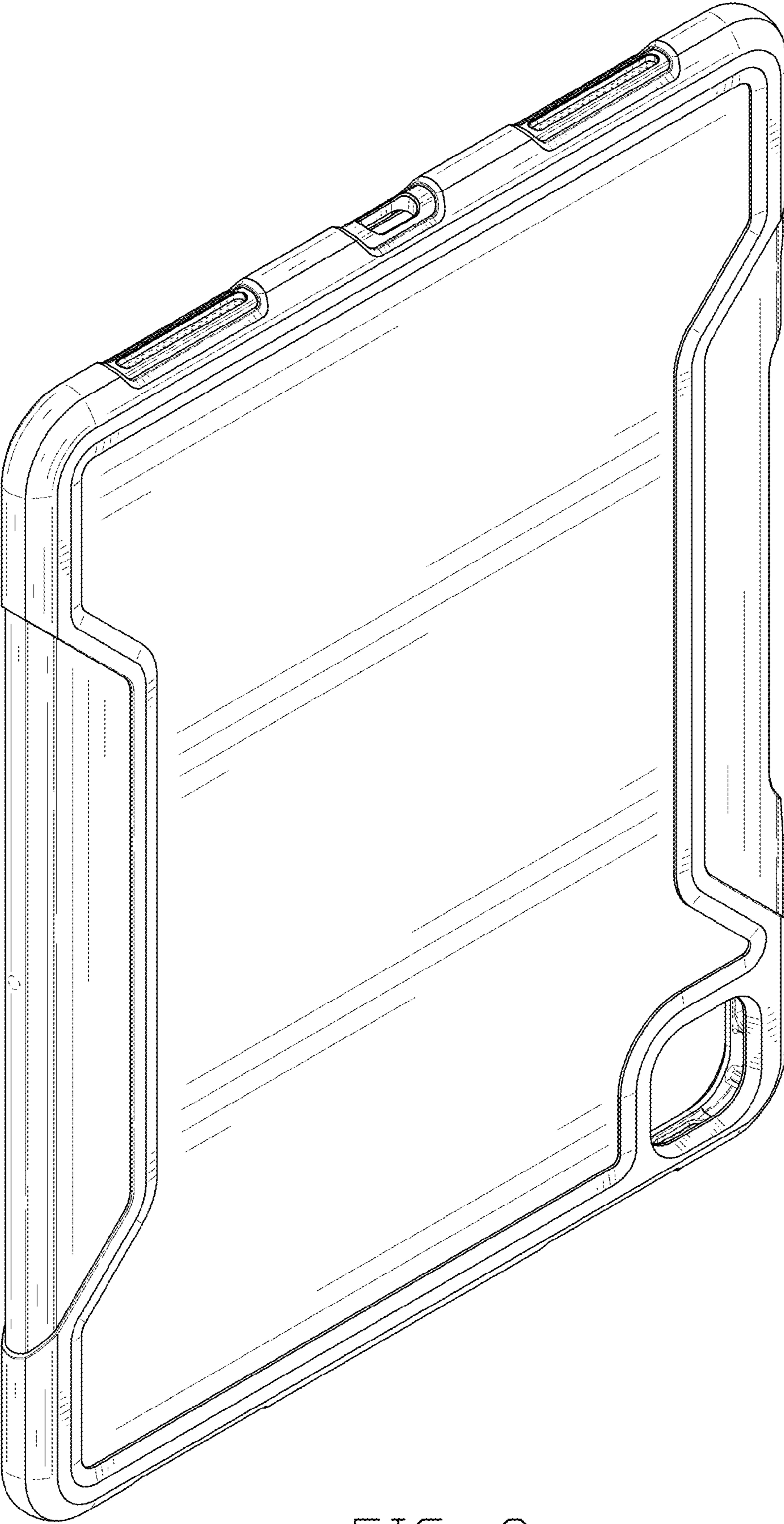


FIG. 2

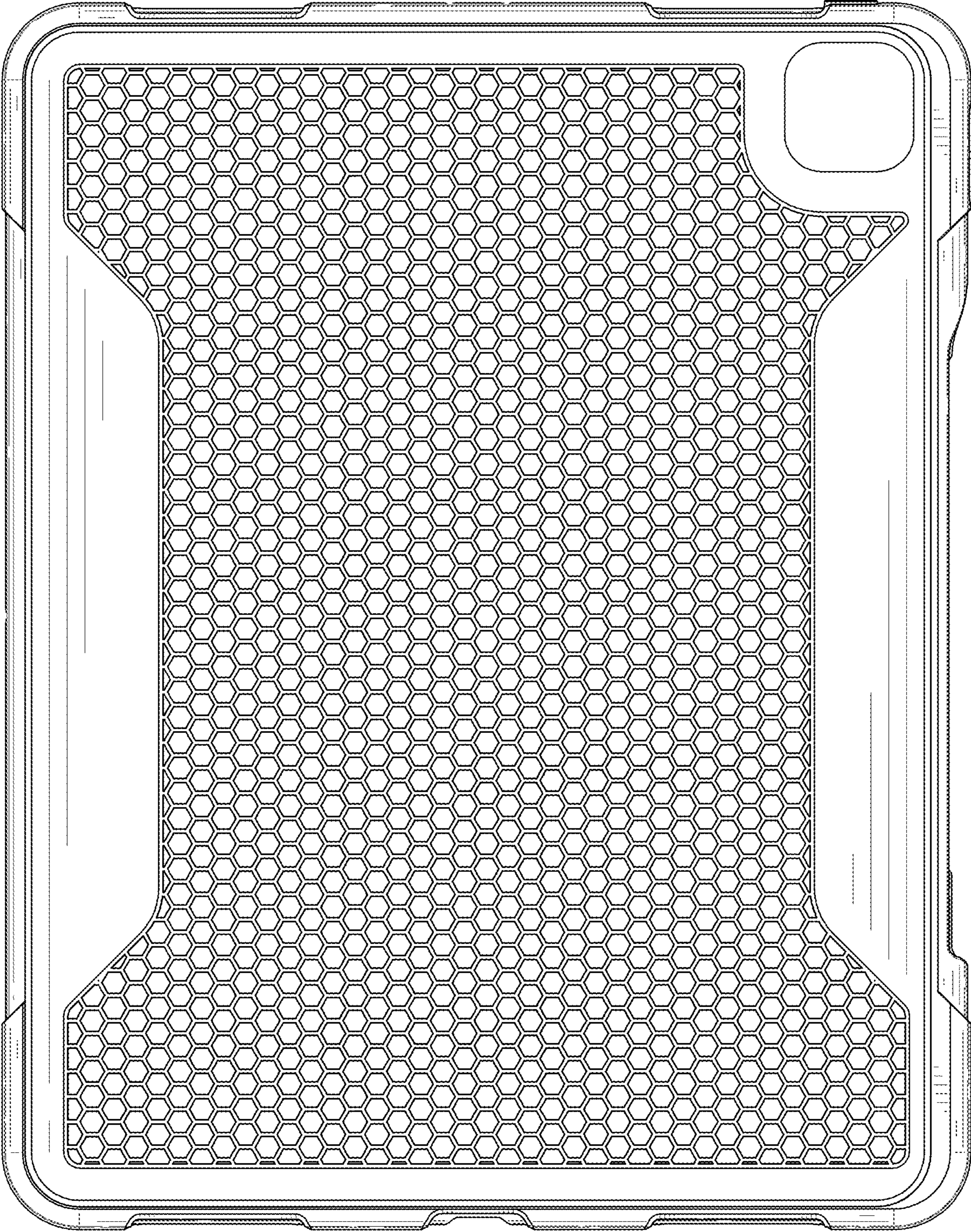


FIG. 3

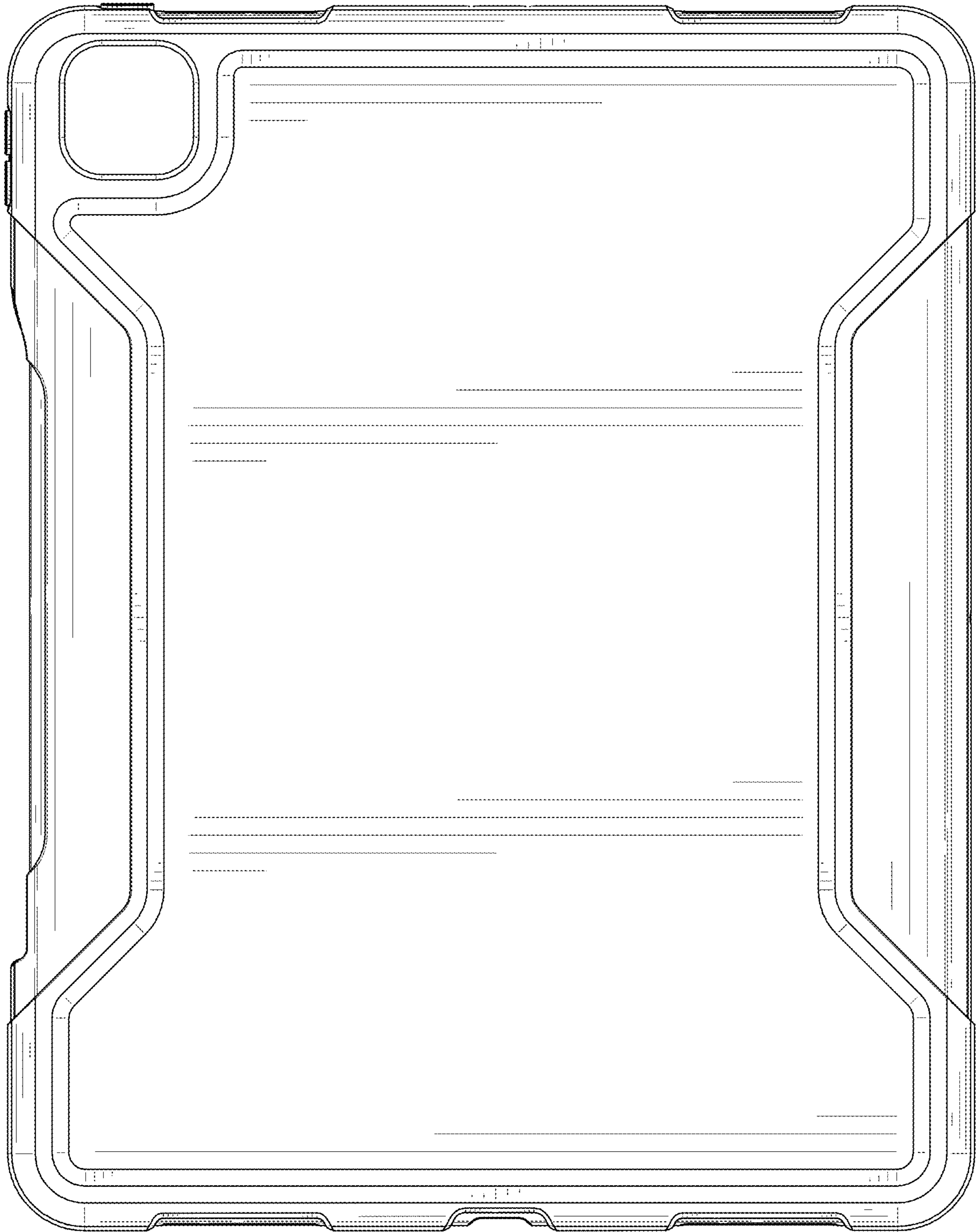


FIG. 4

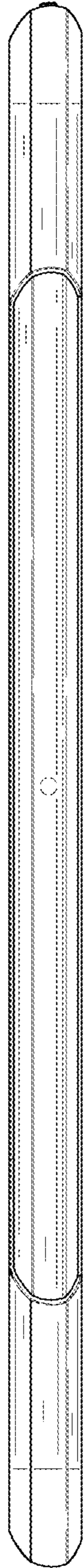


FIG. 5



FIG. 6

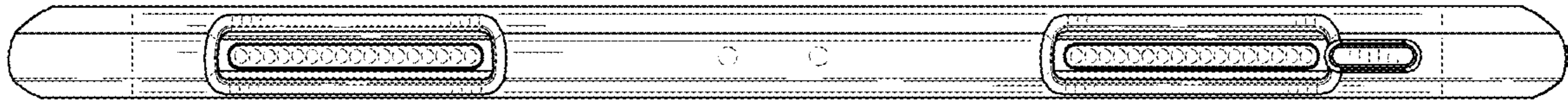


FIG. 7

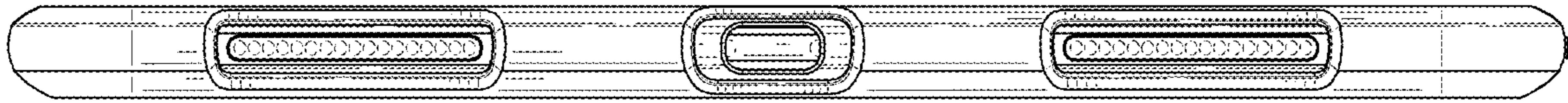


FIG. 8

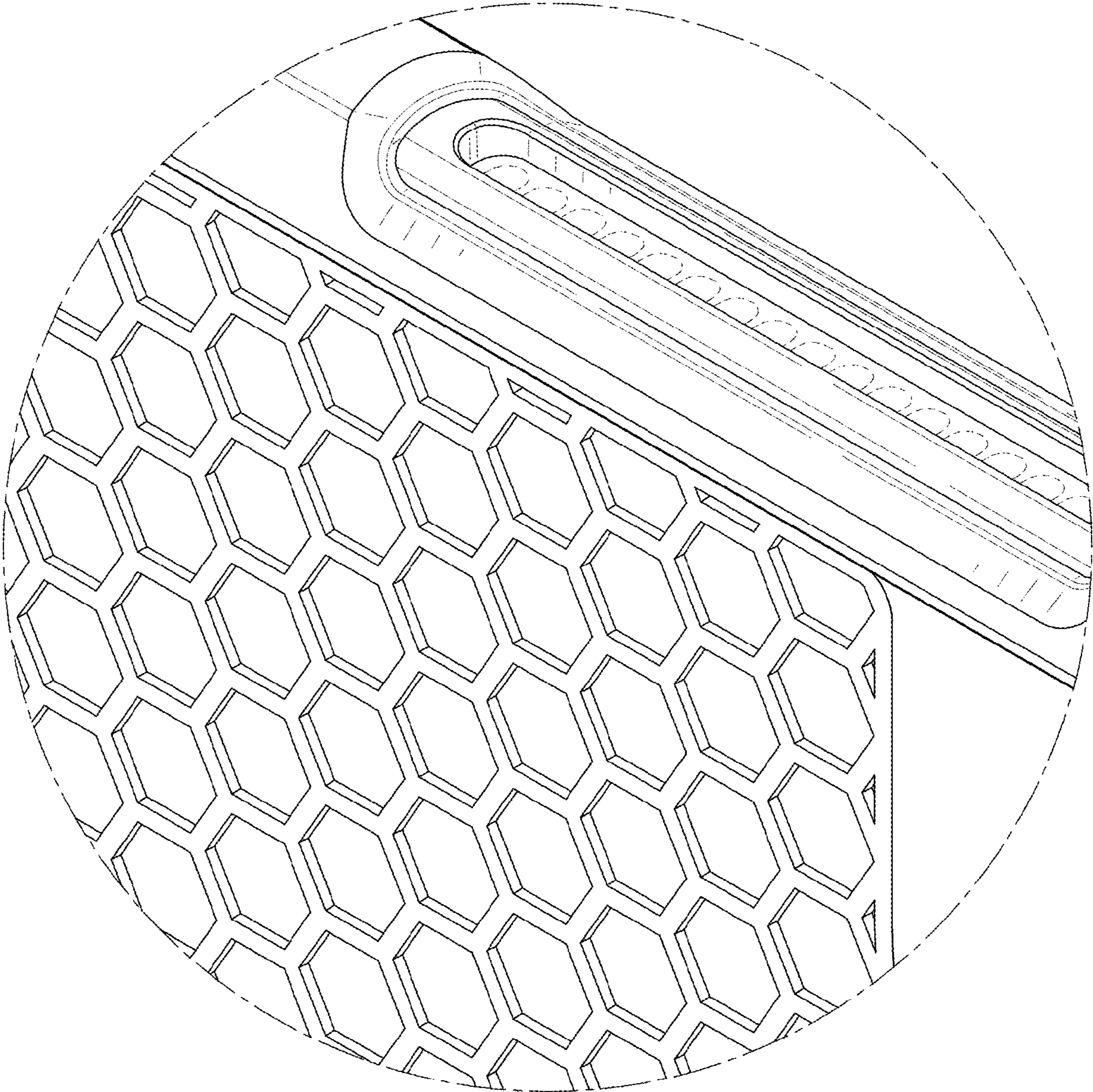


FIG. 9