



US00D923010S

(12) **United States Design Patent**
Zhang

(10) **Patent No.:** **US D923,010 S**
(45) **Date of Patent:** **** Jun. 22, 2021**

(54) **MULTI-FUNCTION HUB**
(71) Applicant: **C-SMARTLINK INFORMATION TECHNOLOGY CO., LIMITED,**
Shenzhen (CN)

(72) Inventor: **Wenfeng Zhang,** Shenzhen (CN)

(73) Assignee: **C-SMARTLINK INFORMATION TECHNOLOGY CO., LIMITED,**
Shenzhen (CN)

(**) Term: **15 Years**

(21) Appl. No.: **29/710,696**

(22) Filed: **Oct. 25, 2019**

(51) **LOC (13) Cl.** **14-02**

(52) **U.S. Cl.**
USPC **D14/433; D14/357**

(58) **Field of Classification Search**
USPC ... D14/434, 432, 433, 435, 435.1, 356, 357,
D14/358, 251–253, 217, 299, 496, 169,
D14/125, 240, 348, 365, 363, 300, 301,
D14/302, 314, 474, 477, 478, 480, 480.1,
D14/480.7, 483; D13/103, 107, 108, 110,
D13/123, 133, 135, 179, 184; D21/324,
D21/332, 333
CPC . G06F 1/16; G06F 1/1632; G06F 1/26; G06F
1/266; G06F 1/18; G06F 1/181; G06F
13/00; G06F 13/38; G06F 13/382; G06F
13/385; G06F 13/387; G06F 3/065; G06F
9/541; G06F 2213/3814; G06F 2213/40;
G06F 2213/4004

See application file for complete search history.

(56) **References Cited**

U.S. PATENT DOCUMENTS

D163,909 S * 7/1951 Steinbach D14/474
D223,098 S * 3/1972 Catalano et al. D14/475
D311,737 S * 10/1990 Westwood D14/435

D331,053 S * 11/1992 Zucker D14/476
D412,160 S * 7/1999 Nelson D14/435
D412,326 S * 7/1999 Gianfagna D14/435
D424,048 S * 5/2000 Iftikar D14/435
D430,882 S * 9/2000 Tsai D14/434
D440,574 S * 4/2001 Pearce D14/483

(Continued)

OTHER PUBLICATIONS

Enclosure for M_2 PCI-E NVME SSD. (Online) 3 pgs. Available as early as Jul. 18, 2019. [Retrieved May 3, 2021] https://www.ugreen.com/products/enclosure-for-m-2-pci-e-nvme-ssd.*

(Continued)

Primary Examiner — Marie D. Fast Horse

(57) **CLAIM**

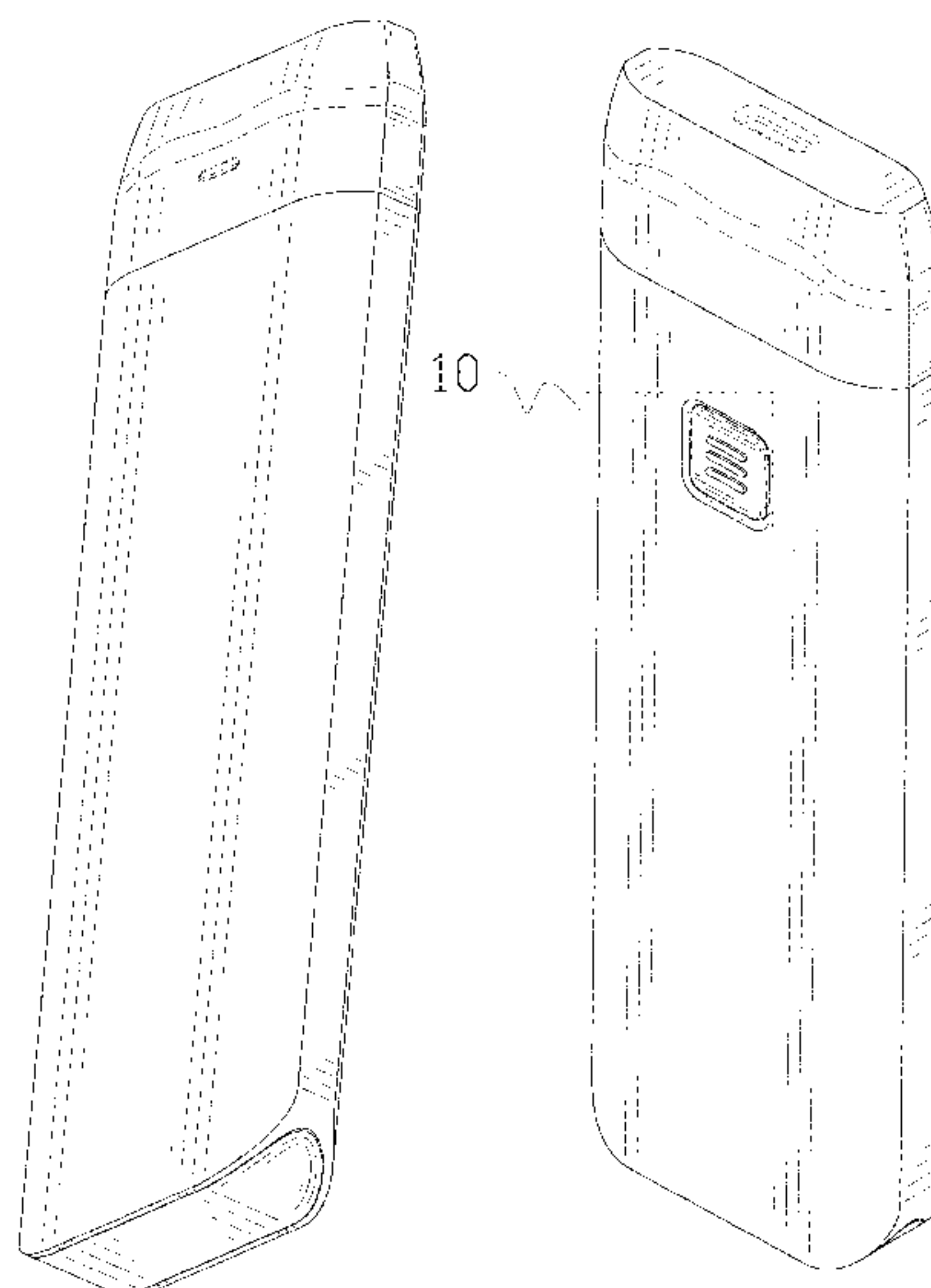
The ornamental design for a multi-function hub, as shown and described.

DESCRIPTION

FIG. 1 is a perspective view of a multi-function hub showing my new design;
FIG. 2 is another perspective view thereof;
FIG. 3 is a front elevational view thereof;
FIG. 4 is a rear elevational view thereof;
FIG. 5 is a left side elevational view thereof;
FIG. 6 is a right side elevational view thereof;
FIG. 7 is a top plan view thereof;
FIG. 8 is a bottom plan view thereof;
FIG. 9 is a perspective view thereof, shown in an alternate state of for use; and,
FIG. 10 is an enlarged view of the encircled portion 10 of FIG. 2.

The broken lines in the drawings depict portions of the multi-function hub that form no part of the claimed design. The broken lines consisting of a long dash and a short dash depict reference to the enlargement shown in the figures and form no part of the claim.

1 Claim, 10 Drawing Sheets



(56)

References Cited

U.S. PATENT DOCUMENTS

D475,059 S * 5/2003 Niitsu D14/435
 D475,359 S * 6/2003 Hirose D14/480.1
 D486,814 S * 2/2004 Nakamura D14/167
 D493,470 S * 7/2004 Abbott D14/478
 D522,506 S * 6/2006 Chen D14/480.1
 D525,247 S * 7/2006 Rubin D14/480.1
 D541,796 S * 5/2007 Chen D14/480.7
 D565,568 S * 4/2008 Trifilio D14/356
 D565,571 S * 4/2008 Trifilio D14/356
 D585,077 S * 1/2009 Sheba D14/434
 D592,677 S * 5/2009 Sheba D14/434
 D618,237 S * 6/2010 Wang D14/356
 D633,096 S * 2/2011 Corcoran D14/480.1
 D647,101 S * 10/2011 Huang D14/480.7
 D648,340 S * 11/2011 Okura D14/480.7
 D673,564 S * 1/2013 Milliff D14/358
 D681,648 S * 5/2013 Kostrzewski D14/474
 D692,903 S * 11/2013 Lin D14/480.7
 D706,787 S * 6/2014 Emami D14/480.7
 D710,315 S * 8/2014 Tsai D13/168
 D776,659 S * 1/2017 Hou D14/433
 D803,833 S * 11/2017 He D14/385

D808,392 S * 1/2018 Bo D14/433
 D828,356 S * 9/2018 Xie D14/433
 D828,839 S * 9/2018 Zhang D14/433
 D828,840 S * 9/2018 Zhang D14/433
 D828,841 S * 9/2018 Zhang D14/433
 D836,640 S * 12/2018 Hou D14/433
 D880,479 S * 4/2020 Liao D14/433
 D880,481 S * 4/2020 Liao D14/433
 D887,413 S * 6/2020 Lou D14/434
 D903,683 S * 12/2020 Zhang D14/433
 D908,711 S * 1/2021 Zhou D14/480.7
 D911,347 S * 2/2021 Zhang D14/433
 D912,056 S * 3/2021 Liao D14/433
 2012/0327595 A1 * 12/2012 Caldwell G11B 33/08
 361/679.59

OTHER PUBLICATIONS

Hard-Disk Cartridges. (Design—© Questel) orbit.com. [online PDF of Foreign references selected by Examiner] 57 pgs. Print Dates range Jul. 16, 2019 Jan. 1, 2021 [Retrieved Apr. 29, 2021] <https://www.orbit.com/export/QPTUJ214/pdf2/3f310055-0bfc-4ded-8922-4113564dc96d-212952.pdf>.*

* cited by examiner

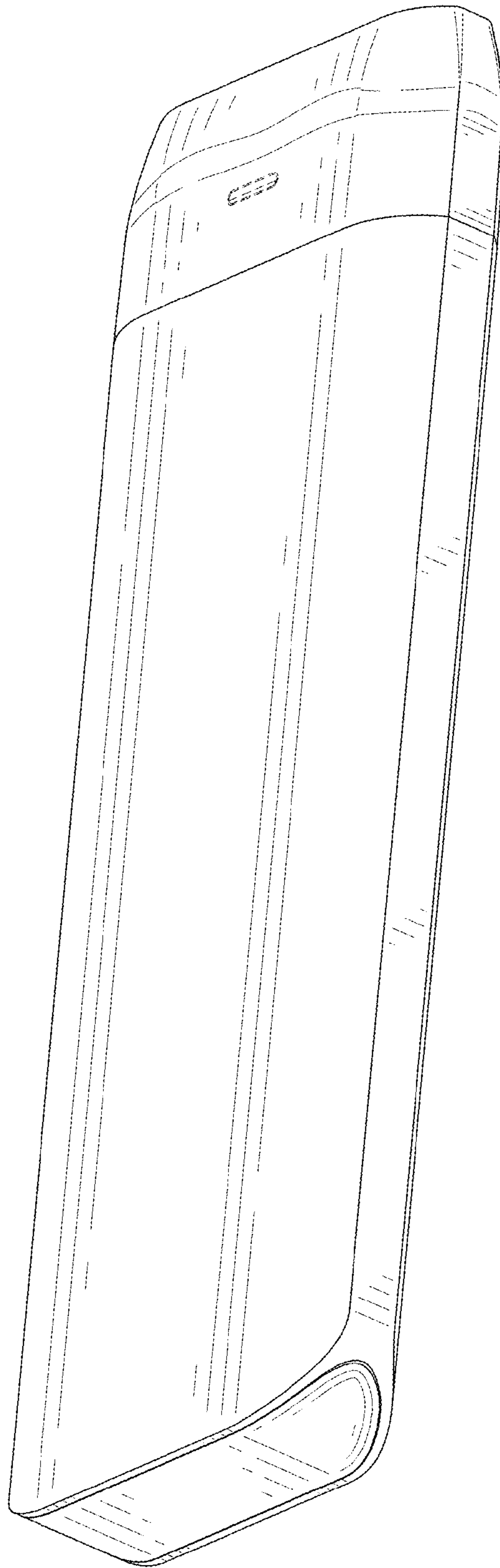


FIG. 1

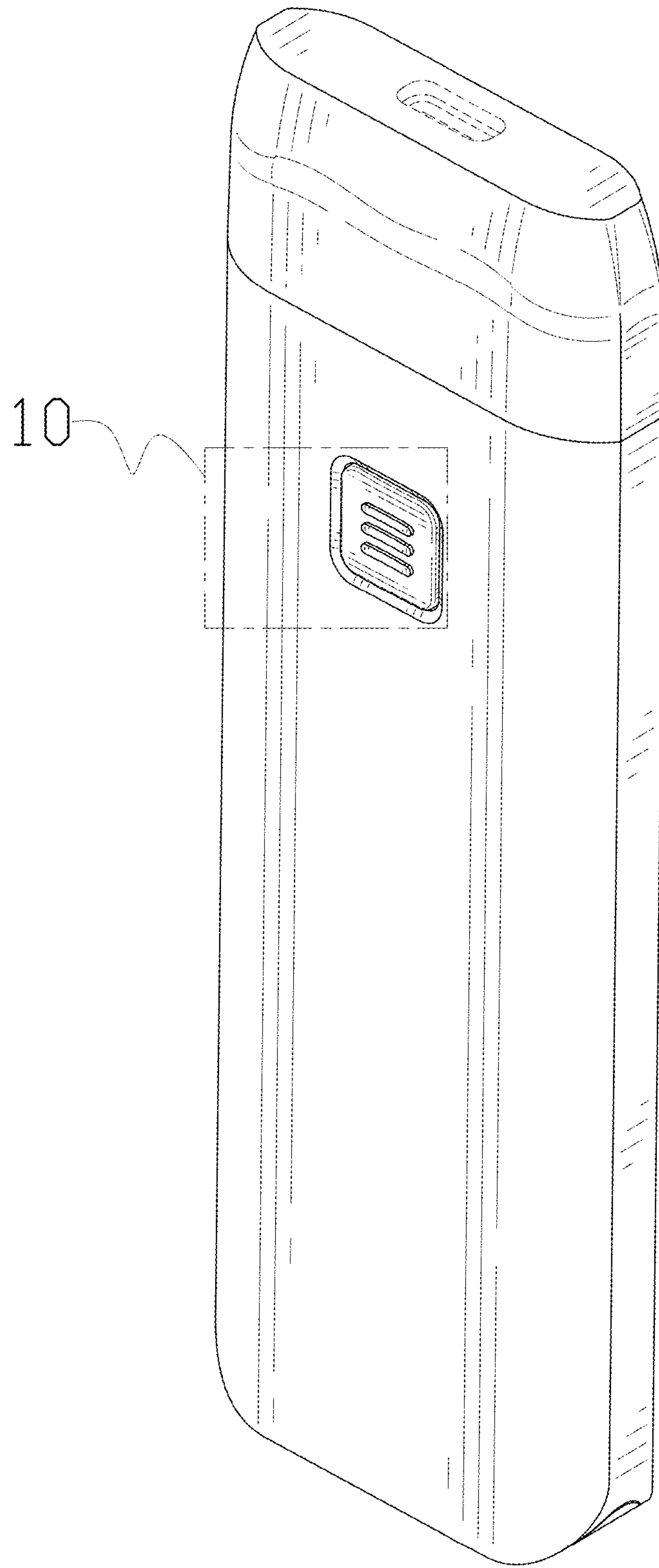


FIG. 2

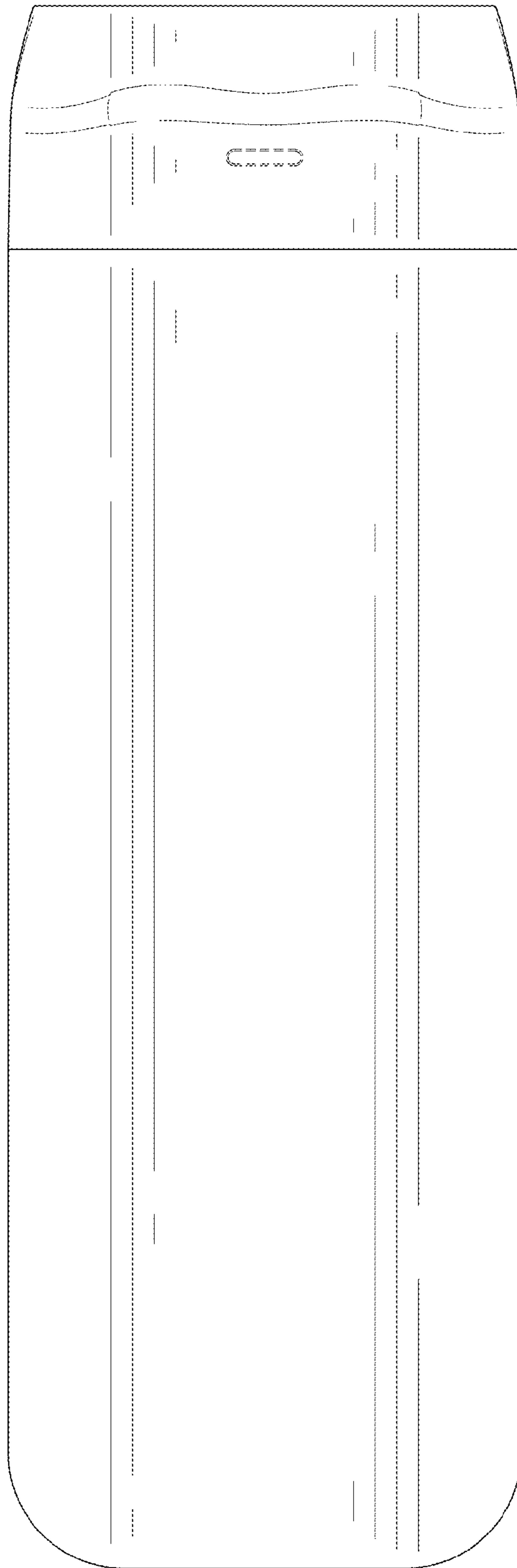


FIG. 3

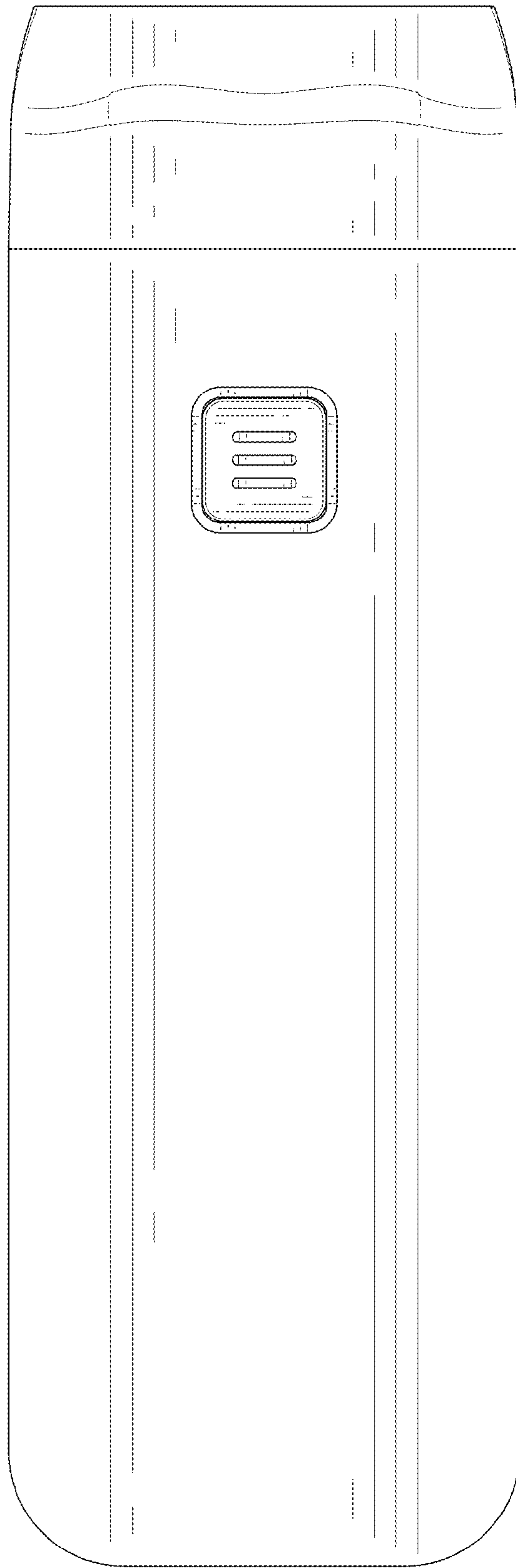


FIG. 4

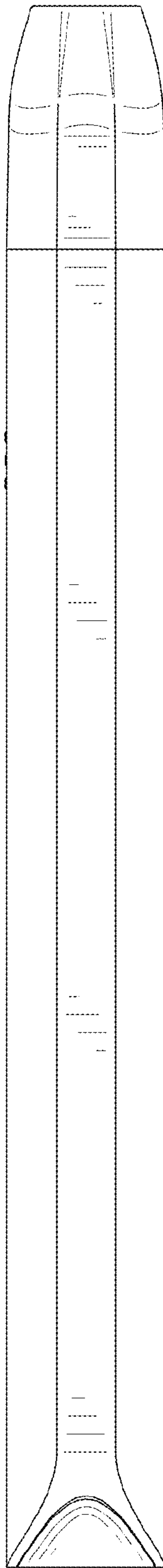


FIG. 5

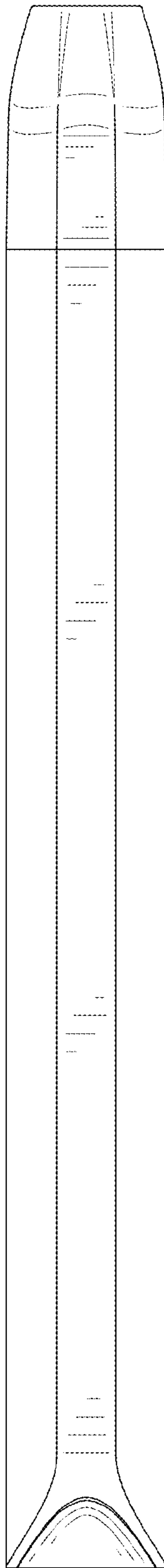


FIG. 6

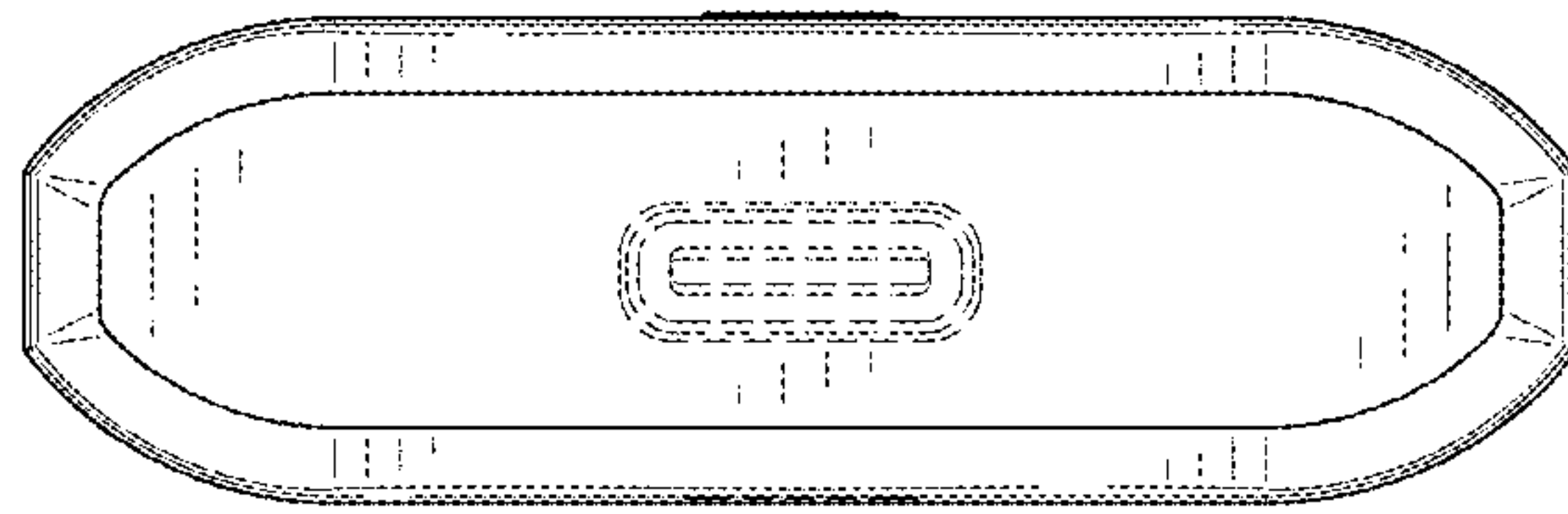


FIG. 7



FIG. 8

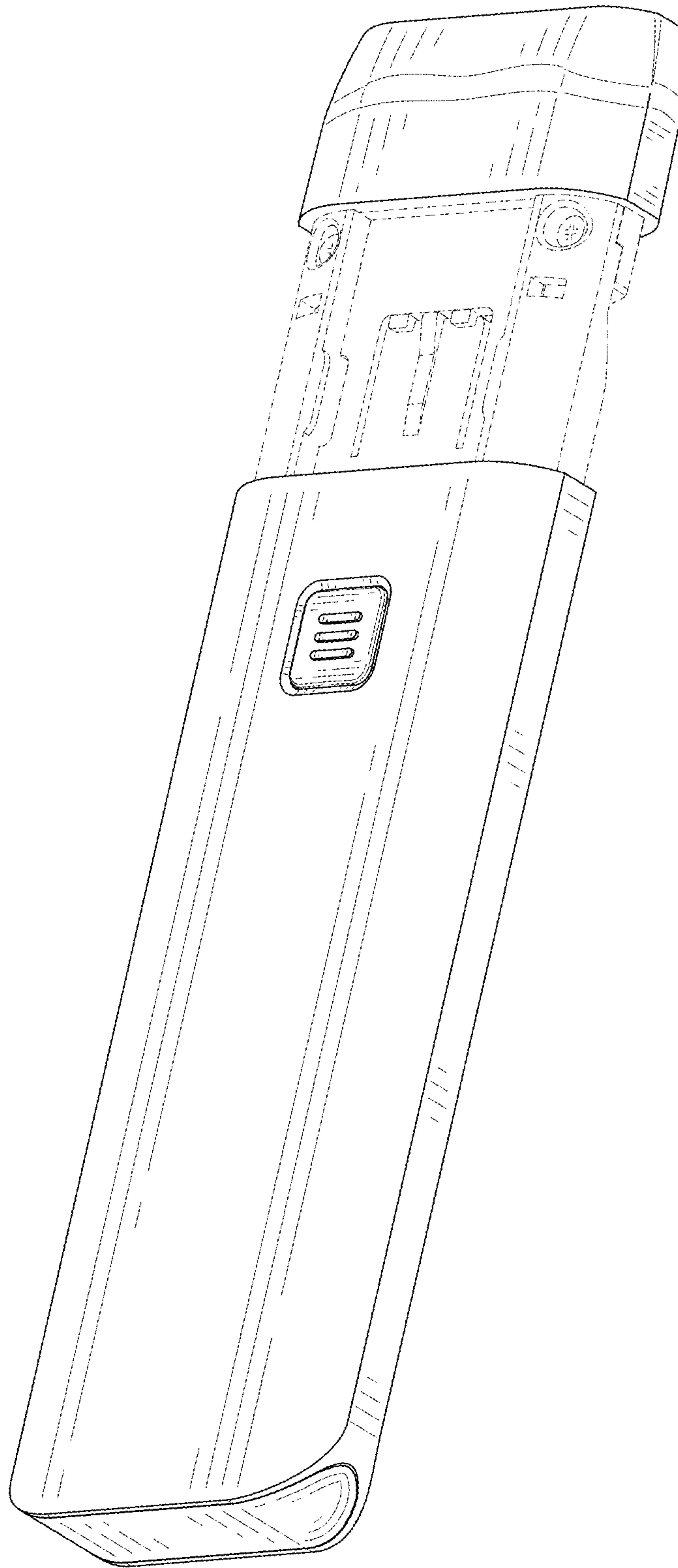


FIG. 9

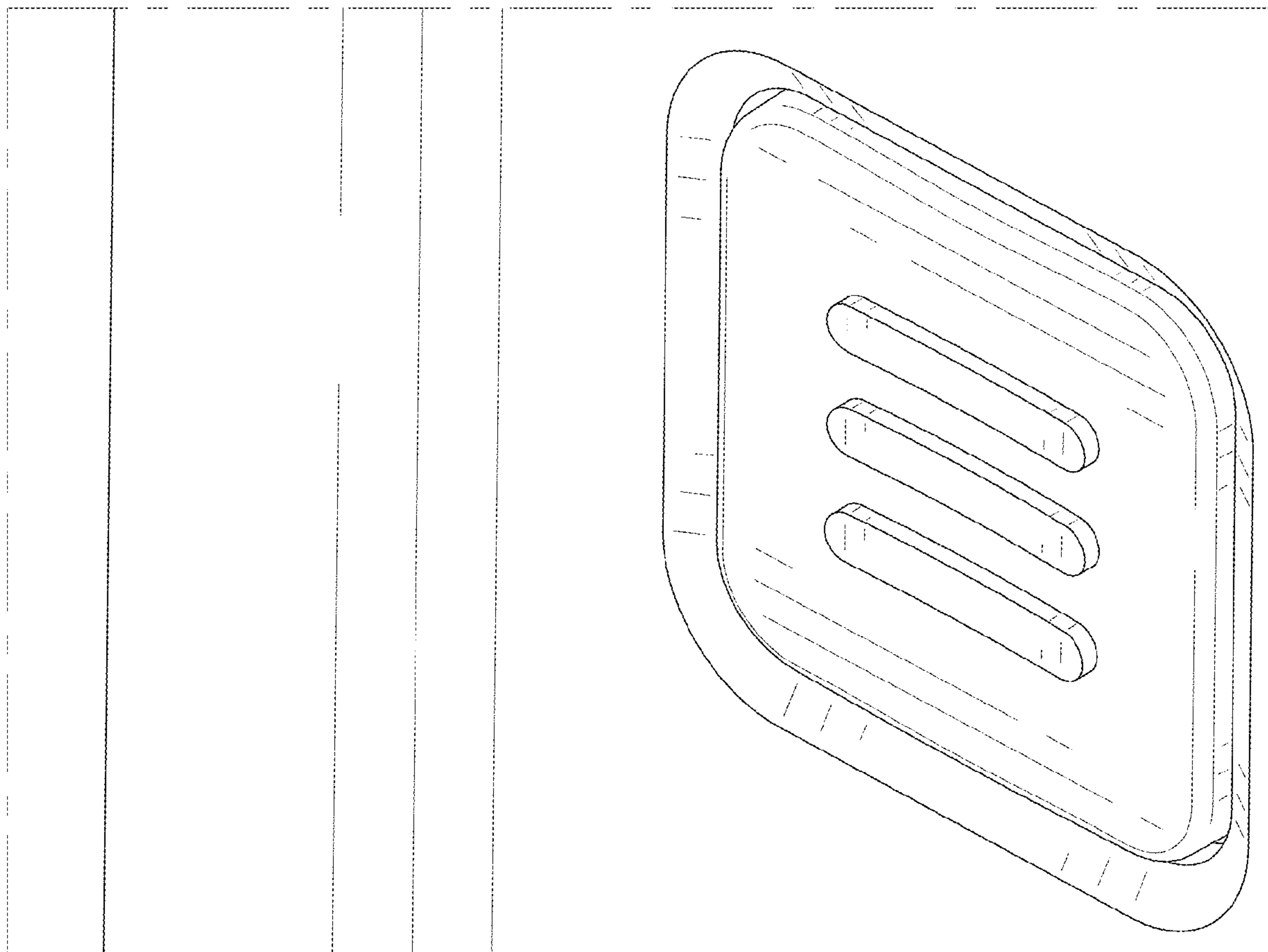


FIG. 10