

US00D923009S

(12) **United States Design Patent**  
**Xiong**

(10) **Patent No.:** **US D923,009 S**  
(45) **Date of Patent:** **\*\* Jun. 22, 2021**

(54) **ADAPTER**

(71) Applicant: **Weichang Xiong**, Longyan (CN)

(72) Inventor: **Weichang Xiong**, Longyan (CN)

(\*\*) Term: **15 Years**

(21) Appl. No.: **29/696,860**

(22) Filed: **Jul. 2, 2019**

(51) **LOC (13) Cl.** ..... **14-02**

(52) **U.S. Cl.**

USPC ..... **D14/433**; D13/147

(58) **Field of Classification Search**

USPC ..... D13/103, 107, 108, 110, 112, 118, 120,  
D13/123, 133, 137.1, 138.1, 139.1,  
D13/145-147, 149-156, 158, 173, 177,  
D13/184, 199; D14/240, 242, 256, 432,  
D14/433, 434, 435.1, 438, 439,  
D14/480.1-480.7, 484.1; D24/129

See application file for complete search history.

(56) **References Cited**

**U.S. PATENT DOCUMENTS**

D813,875 S *	3/2018	Liao	.....	D14/434
D830,366 S *	10/2018	Turksu	.....	D14/433
D855,054 S *	7/2019	Turksu	.....	D14/433
D864,205 S *	10/2019	Wang	.....	D14/433
D864,208 S *	10/2019	Duan	.....	D14/433
D864,964 S *	10/2019	Lyu	.....	D14/433
D864,966 S *	10/2019	Sang	.....	D14/434
D864,967 S *	10/2019	Liu	.....	D14/434
D866,557 S *	11/2019	Xiong	.....	D14/433
D876,439 S *	2/2020	Turksu	.....	D14/433
D878,373 S *	3/2020	Zhang	.....	D14/433
D880,480 S *	4/2020	Liao	.....	D14/433
D881,192 S *	4/2020	Ma	.....	D14/433
D882,578 S *	4/2020	Zhang	.....	D14/433

D883,983 S *	5/2020	Zhang	.....	D14/433
D885,393 S *	5/2020	Duan	.....	D14/433
D885,394 S *	5/2020	Duan	.....	D14/433
D886,105 S *	6/2020	Duan	.....	D14/433
D890,759 S *	7/2020	Fan	.....	D14/433
D900,111 S *	10/2020	Wu	.....	D14/433

**OTHER PUBLICATIONS**

Consumer Electronics 7 to 2 USB.0, Date: NA, [online], [Site visited Dec. 17, 2020], Available from Internet URL: [https://www.alibaba.com/product-detail/consumer-electronics-7-to-2-usb\\_1600092206972.html](https://www.alibaba.com/product-detail/consumer-electronics-7-to-2-usb_1600092206972.html) (Year: NA).\*

Tebe 8 in 1 USB C Hub, Date: NA, [online], [Site visited Dec. 17, 2020], Available from Internet URL: <https://www.aliexpress.com/i/4001204482205.html> (Year: NA).\*

\* cited by examiner

*Primary Examiner* — Brett Miller

*Assistant Examiner* — Landon Thomas Cassell

(74) *Attorney, Agent, or Firm* — Runit Ranjit Kanakia

(57) **CLAIM**

I claim the ornamental design for an adapter, as shown and described.

**DESCRIPTION**

FIG. 1 is a Perspective view of a adapter showing my new design;

FIG. 2 is a Front view of the adapter as shown in FIG. 1;

FIG. 3 is a Back view of the adapter as shown in FIG. 1;

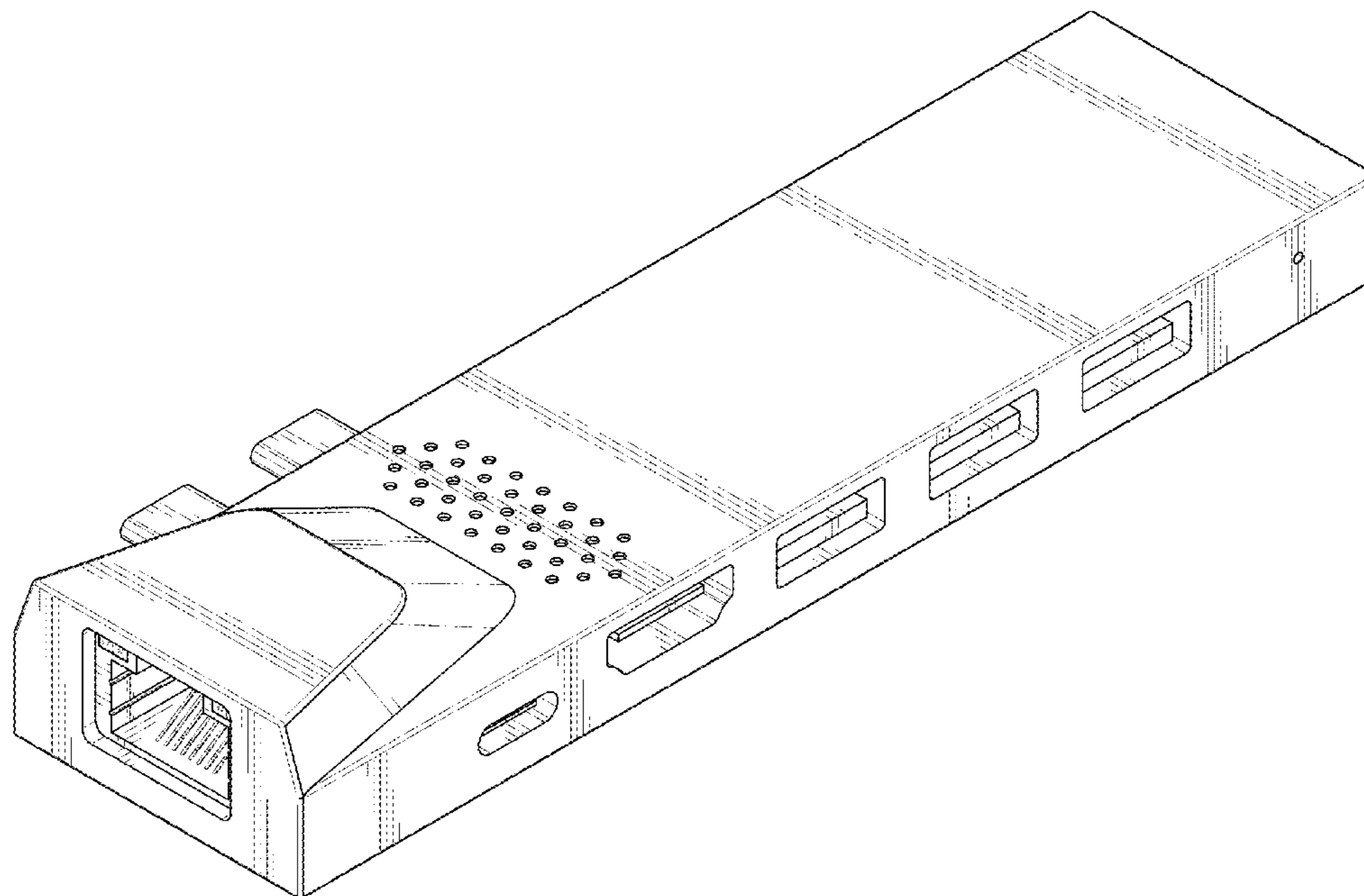
FIG. 4 is a Right-side view of the adapter as shown in FIG. 1;

FIG. 5 is a Left-side view of the adapter as shown in FIG. 1;

FIG. 6 is a Top view of the adapter as shown in FIG. 1; and,

FIG. 7 is a Bottom view of the adapter as shown in FIG. 1.

**1 Claim, 6 Drawing Sheets**



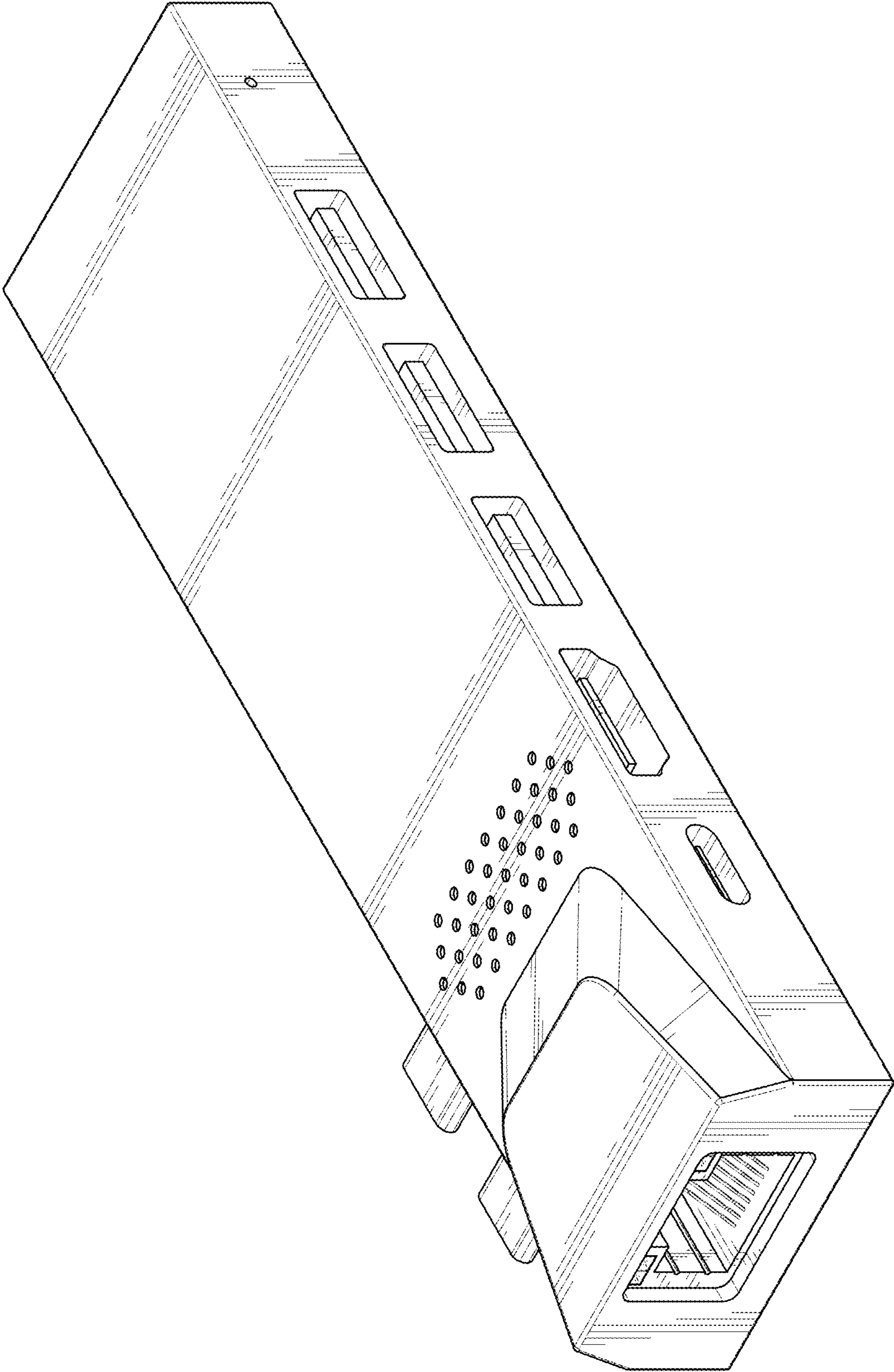


FIG. 1

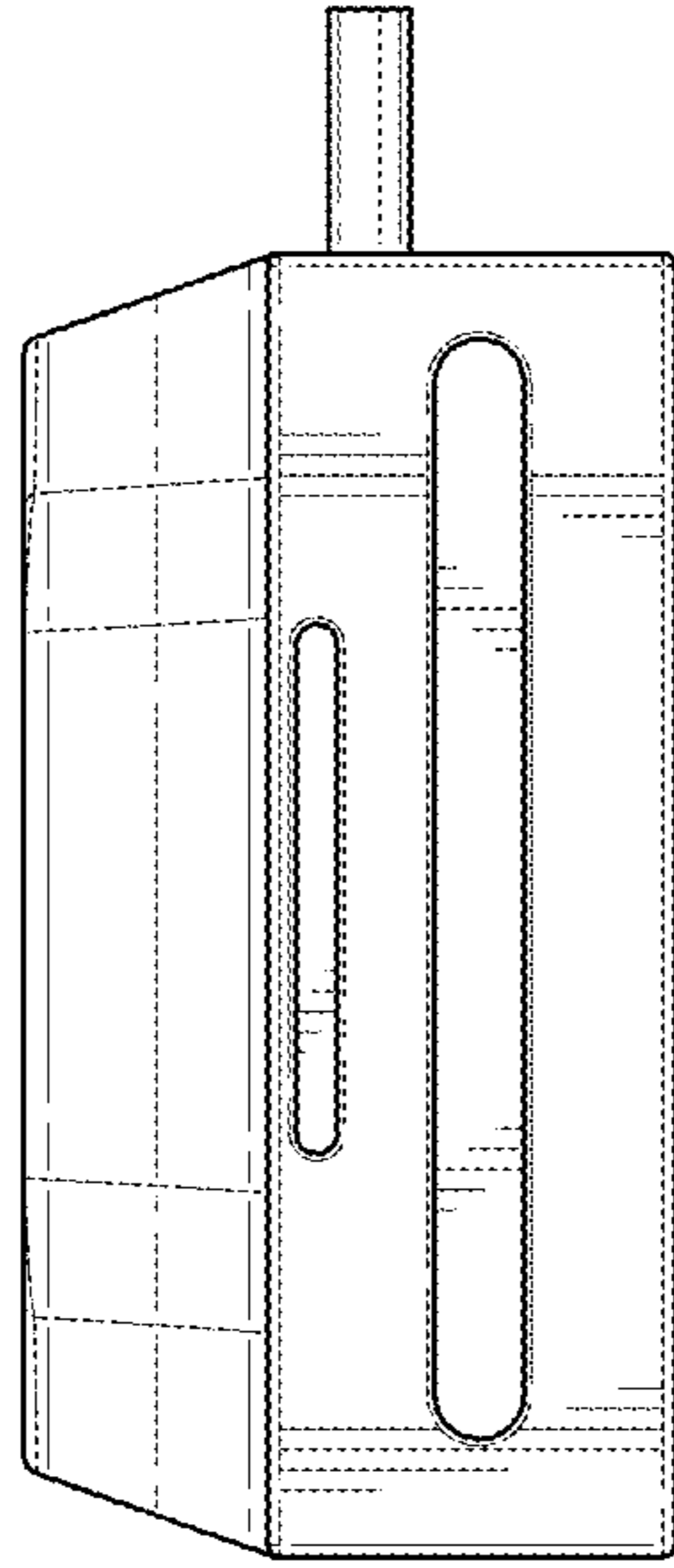


FIG. 3

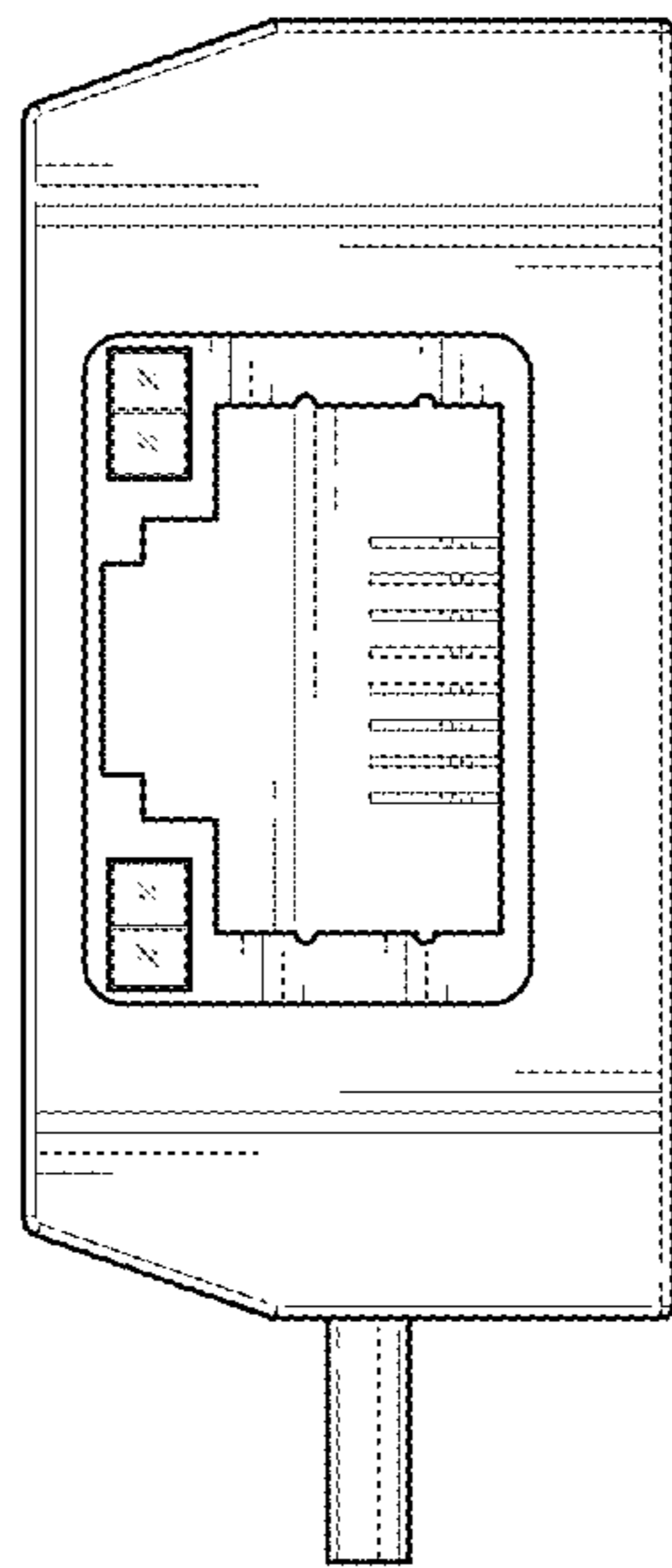


FIG. 2

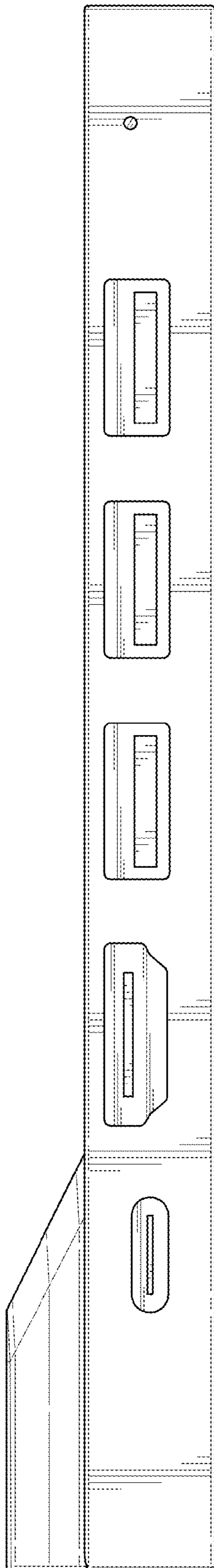


FIG. 4

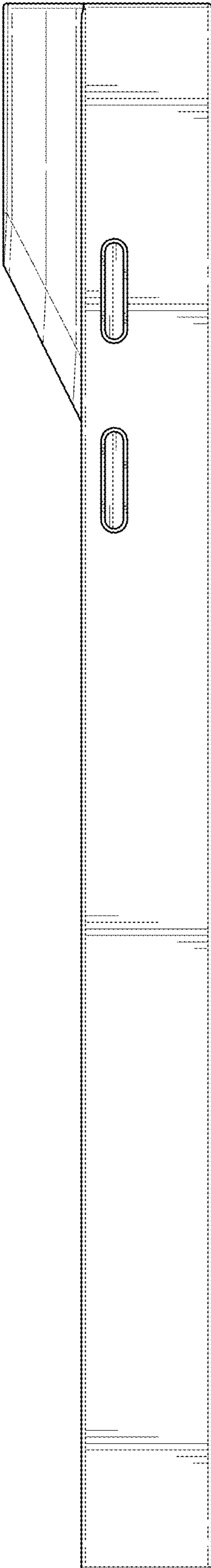


FIG. 5



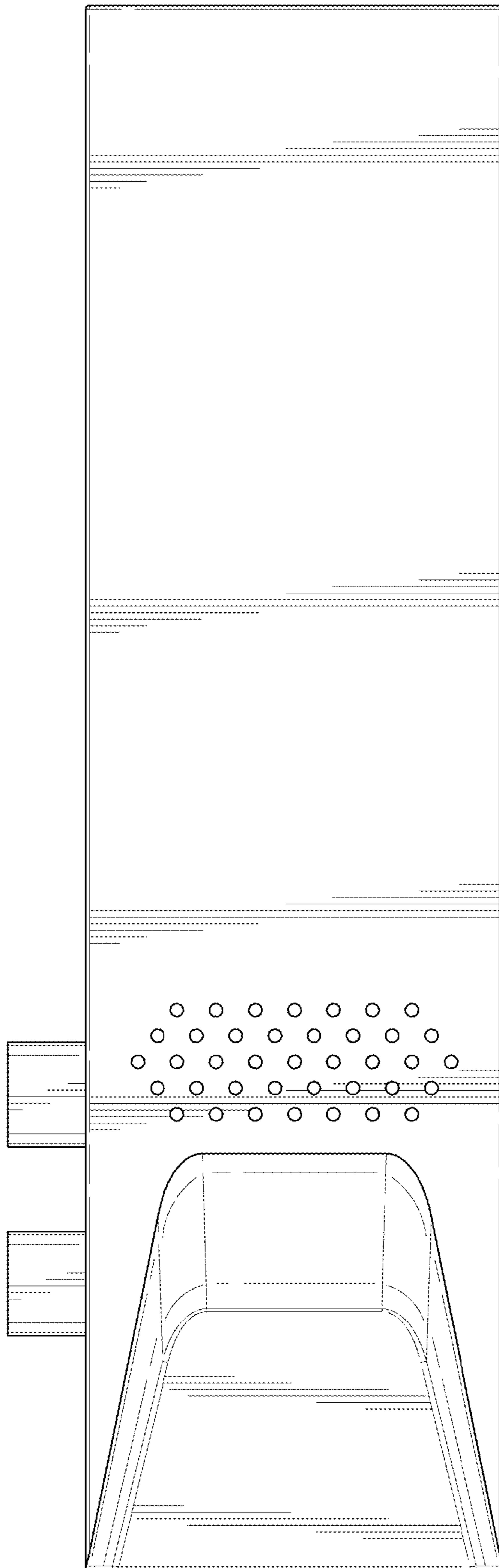


FIG. 6

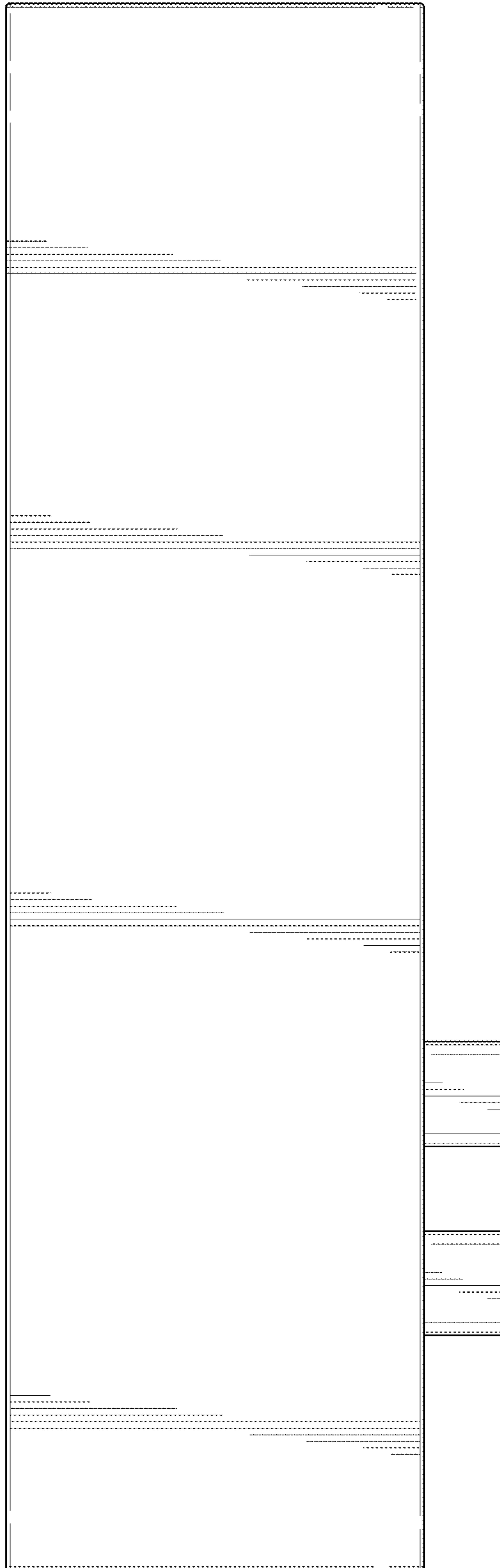


FIG. 7