



US00D923007S

(12) **United States Design Patent**
Depay et al.

(10) **Patent No.:** **US D923,007 S**

(45) **Date of Patent:** **** *Jun. 22, 2021**

(54) **MOUSE**

(71) Applicant: **Corsair Memory, Inc.**, Fremont, CA (US)

(72) Inventors: **Dean Depay**, Fremont, CA (US);
Michal Nowicki, Fremont, CA (US)

(73) Assignee: **Corsair Memory, Inc.**, Fremont, CA (US)

(*) Notice: This patent is subject to a terminal disclaimer.

(**) Term: **15 Years**

(21) Appl. No.: **29/660,737**

(22) Filed: **Aug. 22, 2018**

(51) **LOC (13) Cl.** **14-02**

(52) **U.S. Cl.**
USPC **D14/409**

(58) **Field of Classification Search**
USPC D14/402-411, 356, 388, 389, 383-385,
D14/417, 426; 345/156-167; 358/471,
358/473

CPC G06F 3/03543; G06F 2203/0333; G06F
3/039; G06F 3/038; G06F 2203/0384
See application file for complete search history.

(56) **References Cited**

U.S. PATENT DOCUMENTS

D688,245 S * 8/2013 Guerra D14/409
D742,879 S * 11/2015 Helwig D14/409

D744,485 S * 12/2015 Young D14/409
D766,903 S * 9/2016 Young D14/402
D794,638 S * 8/2017 Zheng D14/409
D821,400 S * 6/2018 Pang D14/409
D829,717 S * 10/2018 Lu D14/409
D833,436 S * 11/2018 Pate D14/409
D834,577 S * 11/2018 Odgers D14/409
D835,105 S * 12/2018 Liu D14/409
D855,614 S * 8/2019 DiLoreto D14/409
D858,524 S * 9/2019 Pate D14/409
D868,785 S * 12/2019 Liu D14/409

* cited by examiner

Primary Examiner — Austin Murphy

(74) *Attorney, Agent, or Firm* — Carina M. Tan; Corsair Memory, Inc.

(57) **CLAIM**

The ornamental design for a mouse, as shown and described.

DESCRIPTION

FIG. 1 is a right perspective view of a mouse showing our design;

FIG. 2 is a right view of the mouse;

FIG. 3 is a left view of the mouse;

FIG. 4 is a rear view of the mouse;

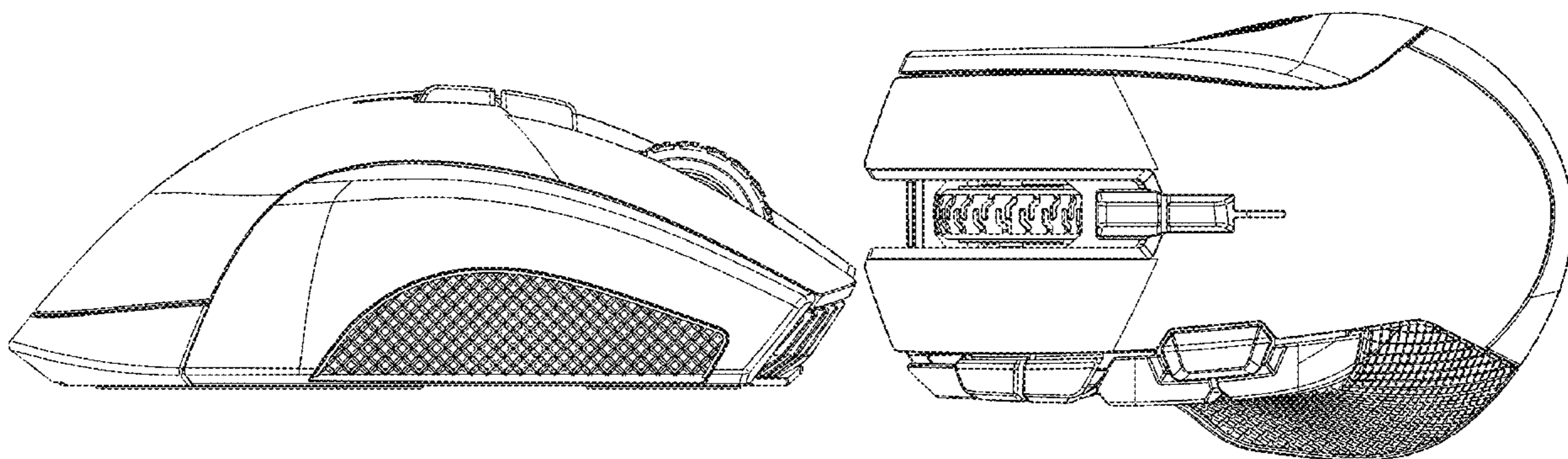
FIG. 5 is a front view of the mouse;

FIG. 6 is a top view of the mouse; and,

FIG. 7 is a bottom view of the mouse.

The cross-hatch lines in the figures show surface texture.

1 Claim, 7 Drawing Sheets



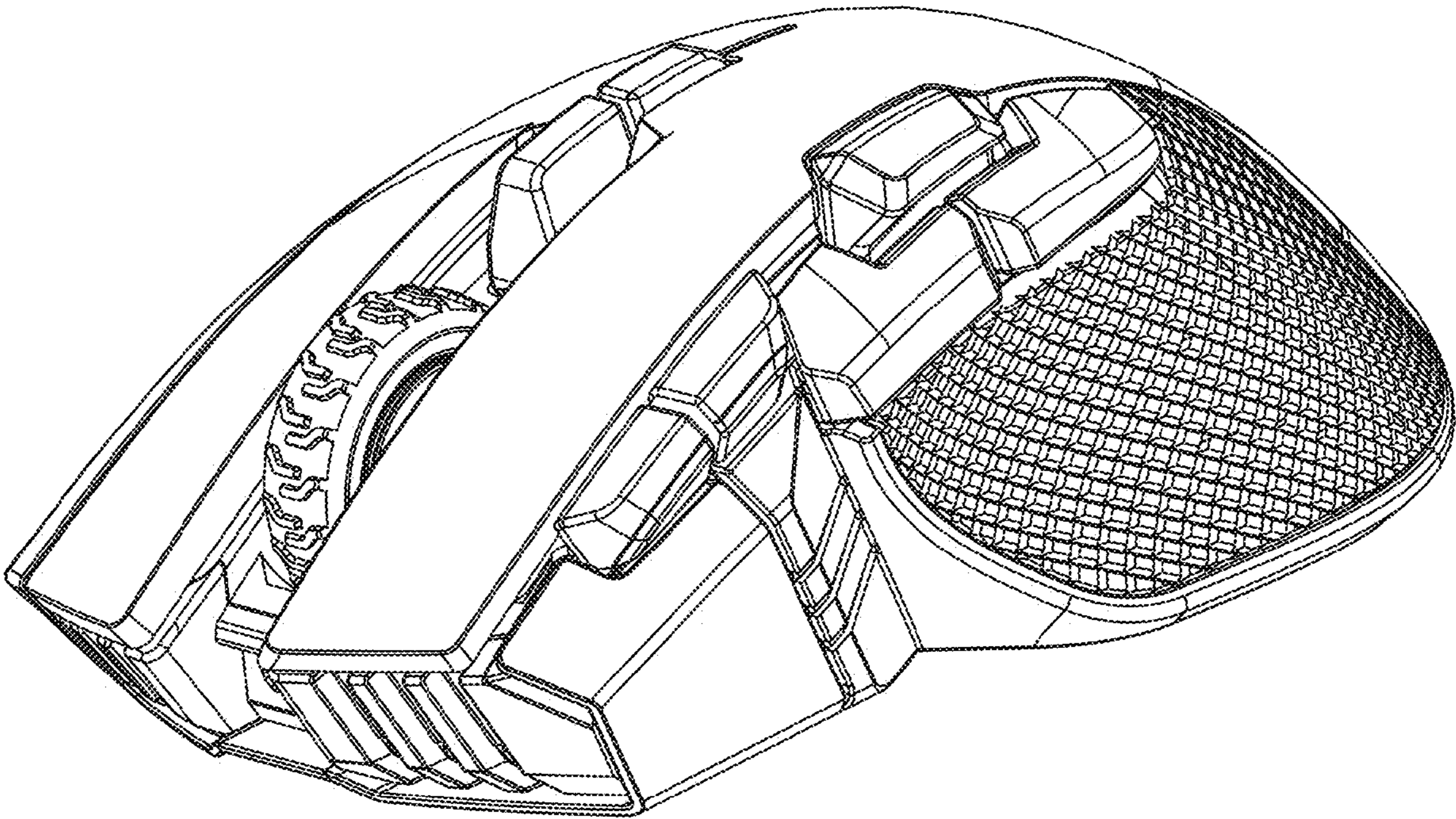


FIG. 1

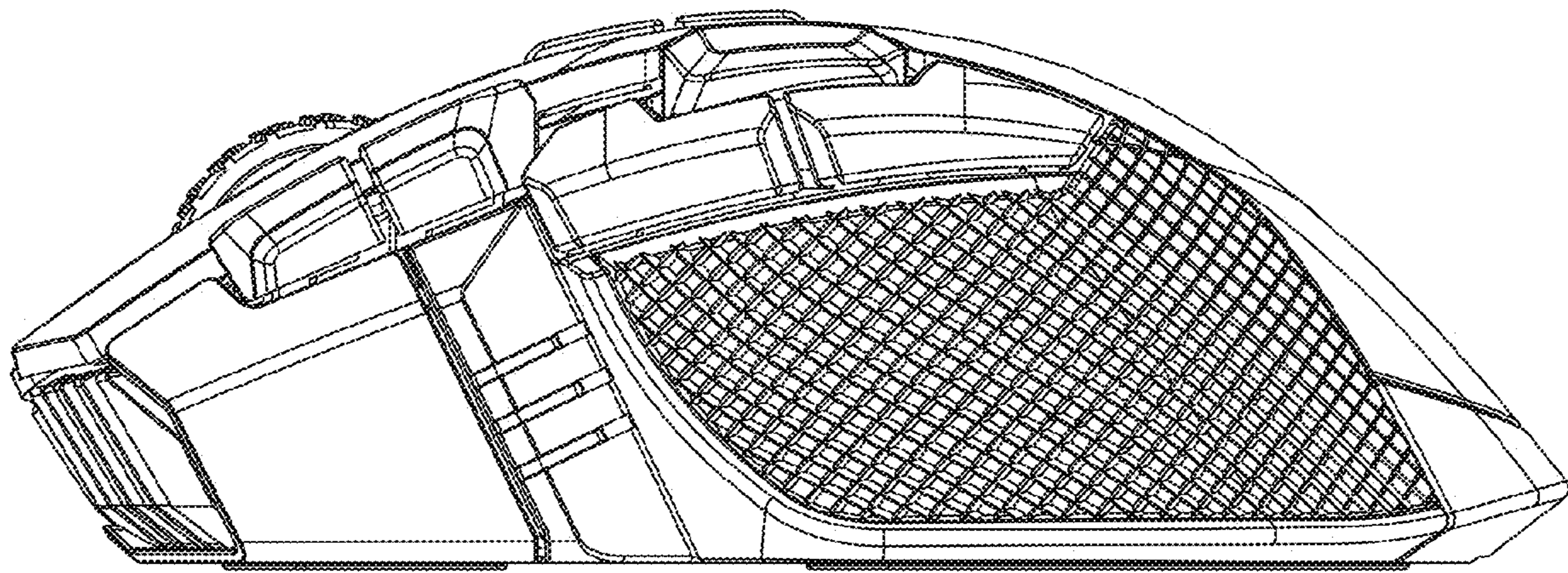


FIG. 2

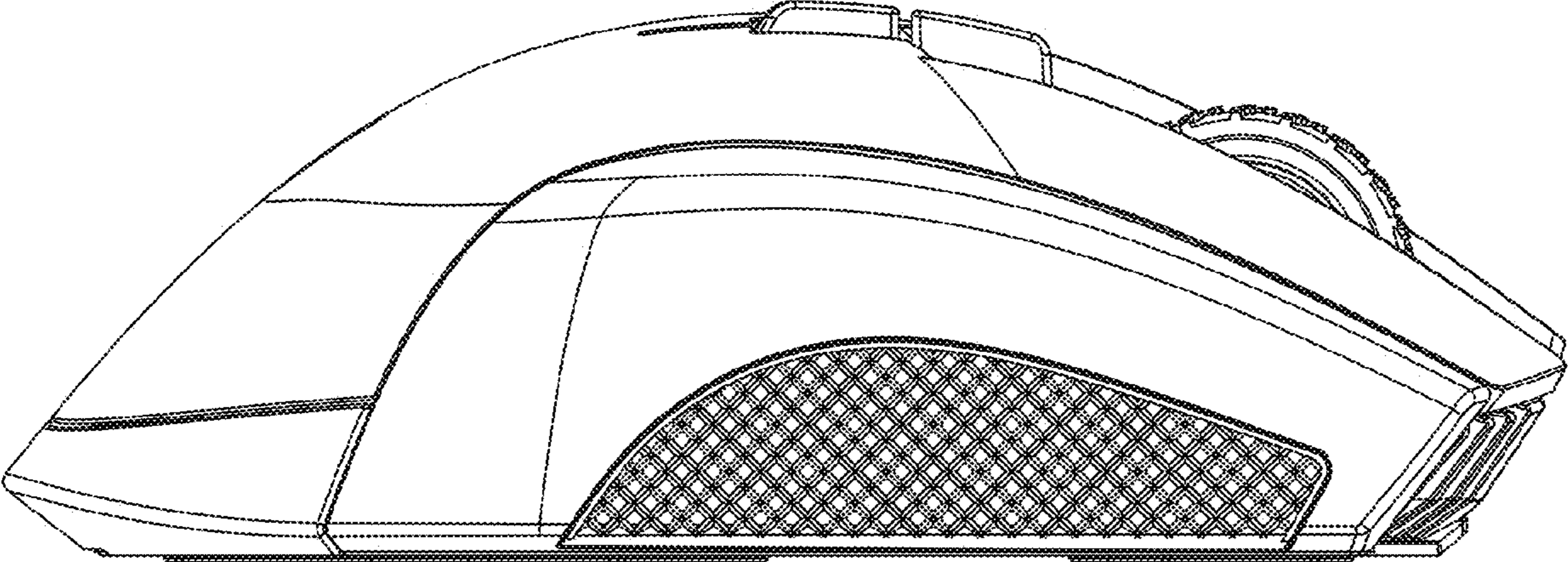


FIG. 3

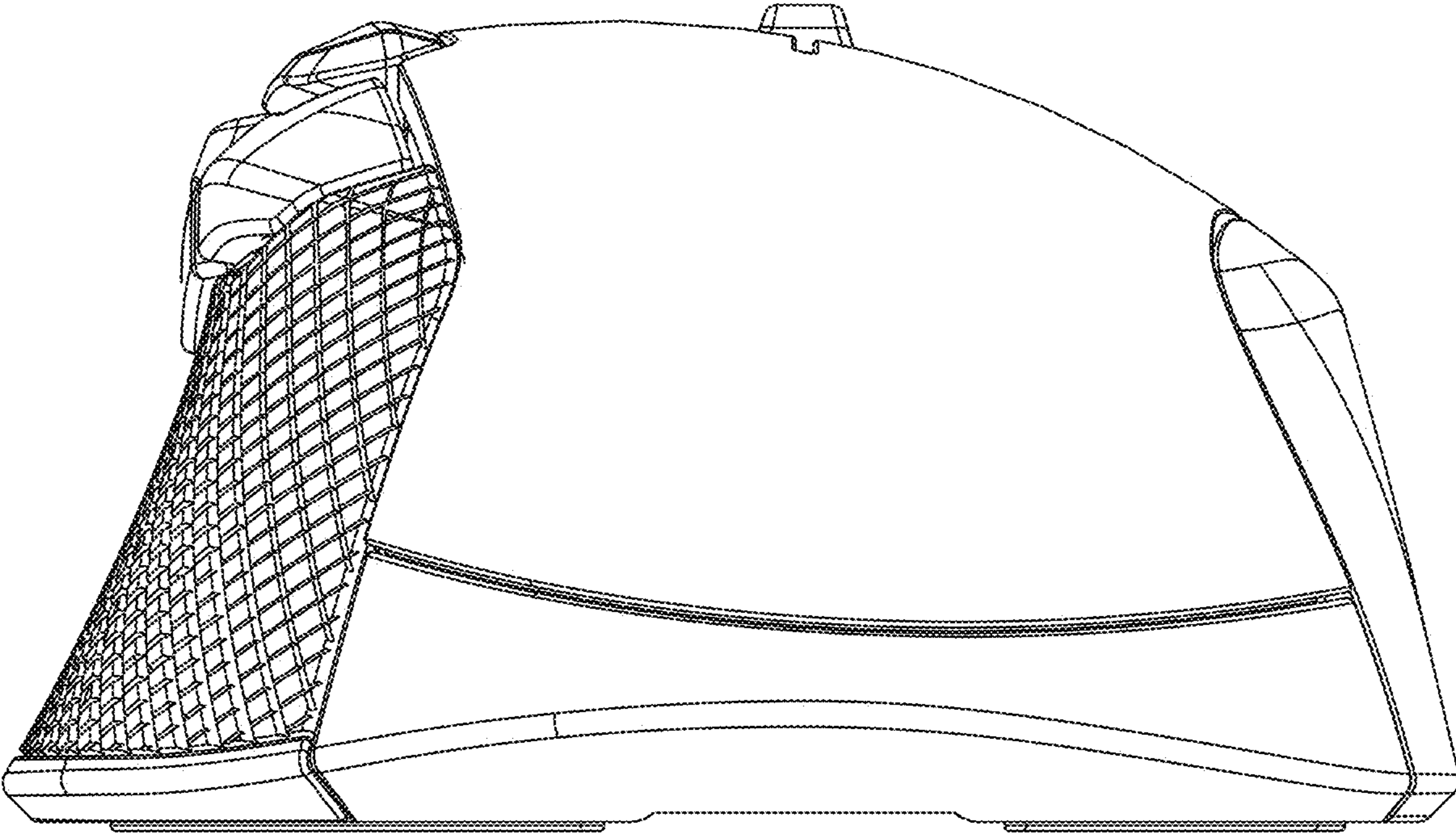


FIG. 4

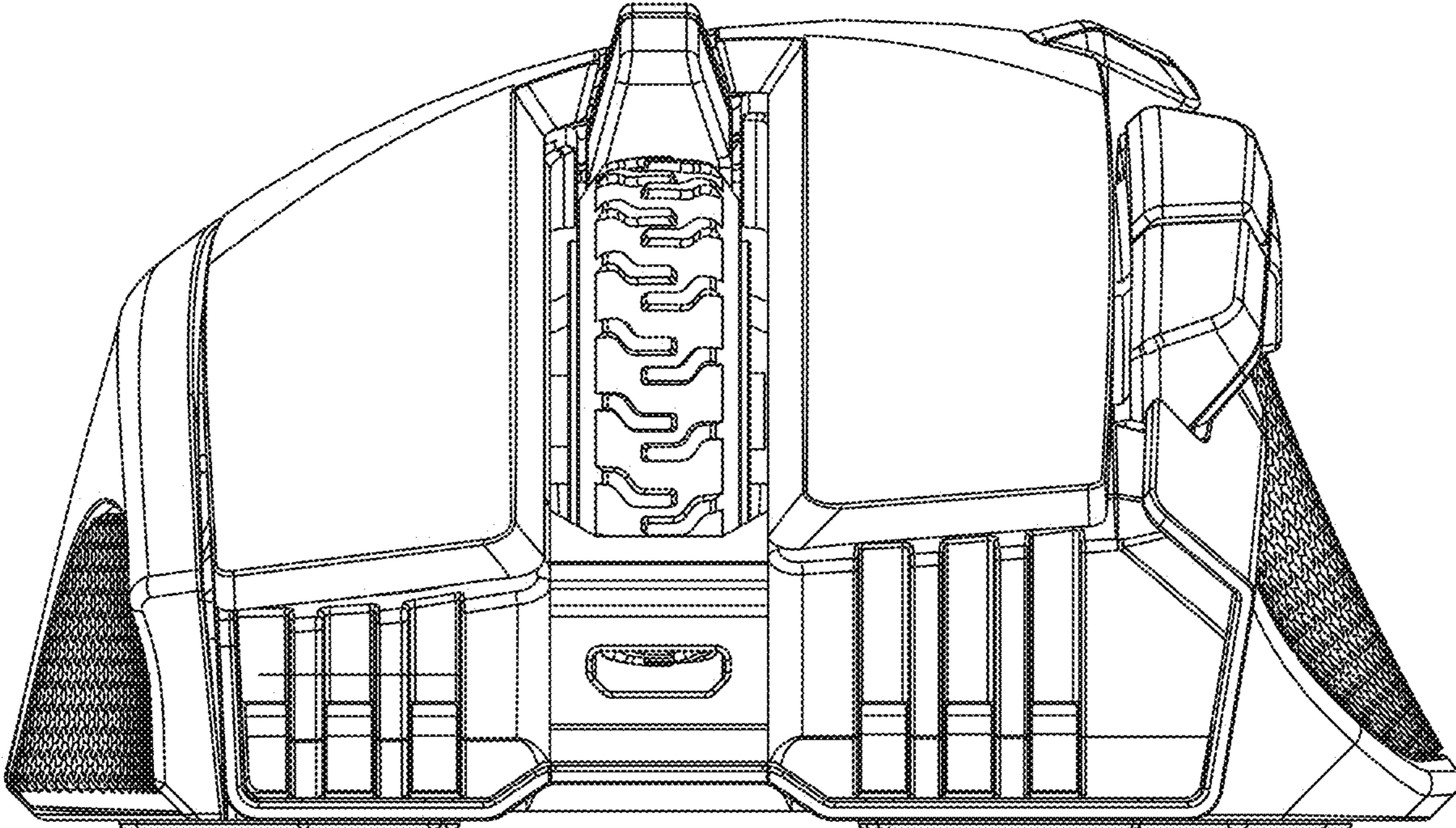


FIG. 5

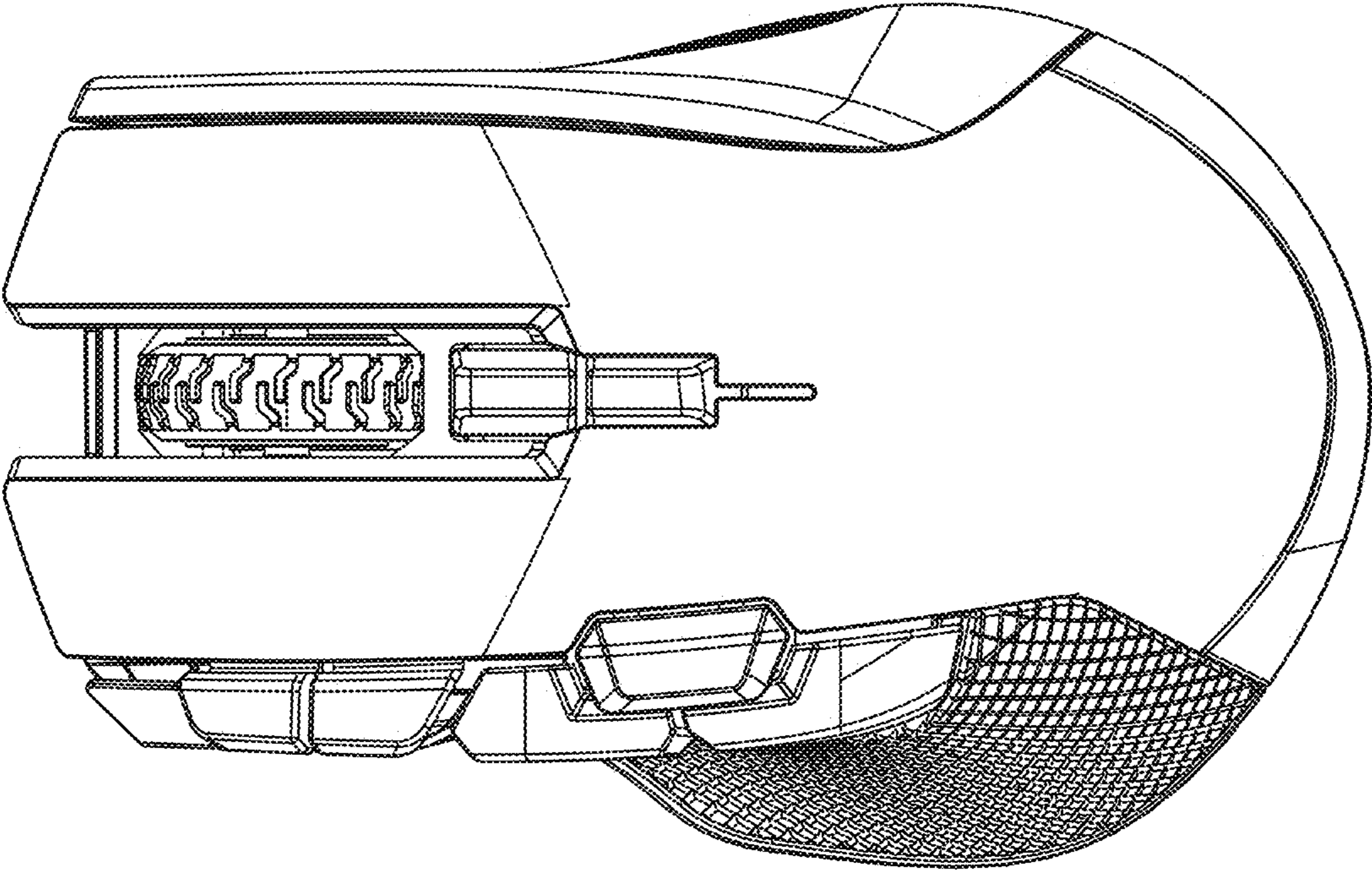


FIG. 6

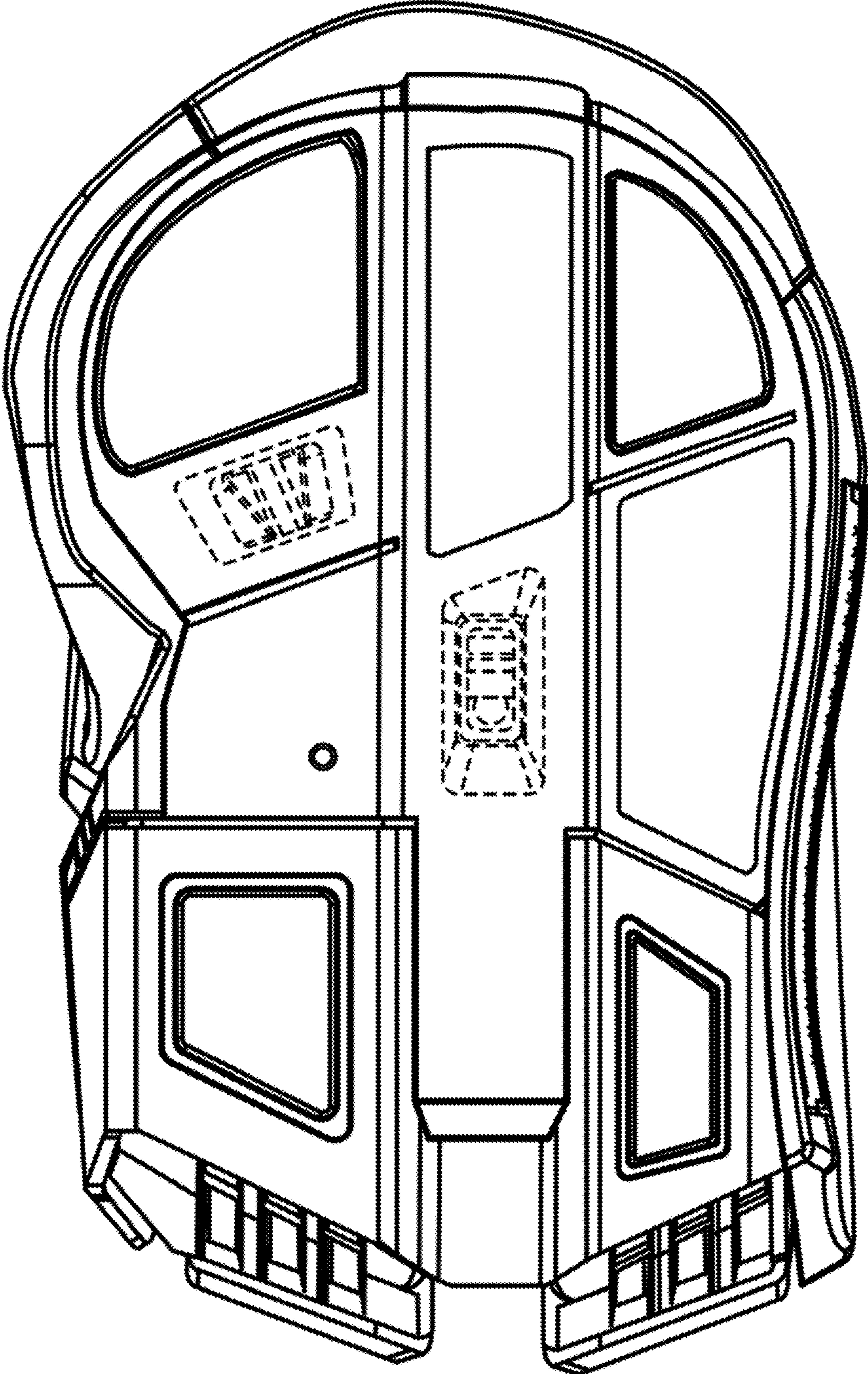


FIG. 7