



US00D923004S

(12) **United States Design Patent**
Gao

(10) **Patent No.:** **US D923,004 S**
(45) **Date of Patent:** **** Jun. 22, 2021**

(54) **SMART WATCH**

(71) Applicant: **Xinyan Wu**, Henan Province (CN)

(72) Inventor: **Jinfeng Gao**, Hubei Province (CN)

(**) Term: **15 Years**

(21) Appl. No.: **29/762,515**

(22) Filed: **Dec. 17, 2020**

(30) **Foreign Application Priority Data**

Dec. 8, 2020 (CN) 202030754352.2

(51) **LOC (13) Cl.** **14-02**

(52) **U.S. Cl.**
USPC **D14/344**

(58) **Field of Classification Search**
USPC ... D14/344, 138 R, 144, 341, 358, 205, 223,
D14/249; D10/30-39, 70, 98; D11/3,
D11/93-94; D24/167, 169, 186-187,
D24/106, 173-175
CPC G06F 1/163; G04G 21/08; G04G 17/08;
A61B 5/681; A61B 5/0243
See application file for complete search history.

(56) **References Cited**

U.S. PATENT DOCUMENTS

- D824,273 S * 7/2018 Akana D11/3
- D830,217 S * 10/2018 Choi D10/131
- D836,466 S * 12/2018 Shi D10/32
- D844,458 S * 4/2019 Lillquist D10/30
- D858,312 S * 9/2019 Liu D10/30
- D874,298 S * 2/2020 Xie D10/32
- D875,555 S * 2/2020 Komulainen D10/32
- D881,875 S * 4/2020 Ke D14/344
- D893,322 S * 8/2020 Xiao D10/70
- D893,474 S * 8/2020 Chung D14/344
- D894,179 S * 8/2020 Chung D14/344
- D901,493 S 11/2020 Gao
- D903,509 S * 12/2020 Barbedette D10/32

- D903,510 S * 12/2020 Barbedette D10/32
- D904,921 S * 12/2020 Chung D11/3
- D911,205 S * 2/2021 Chung D11/3
- 2012/0099406 A1 * 4/2012 Lau G06F 1/163
368/69

(Continued)

FOREIGN PATENT DOCUMENTS

- CN 303861850 * 9/2016
- CN 304065063 * 3/2017

(Continued)

OTHER PUBLICATIONS

UMIDIGI Smartwatch, date first available Oct. 22, 2020 [online], [retrieved Apr. 23, 2021], Available from Internet, URL: <https://www.amazon.com/dp/B08LL3LJV5/ref=emc_b_5_t?th=1> (Year: 2020).*

(Continued)

Primary Examiner — Dana K Weiland

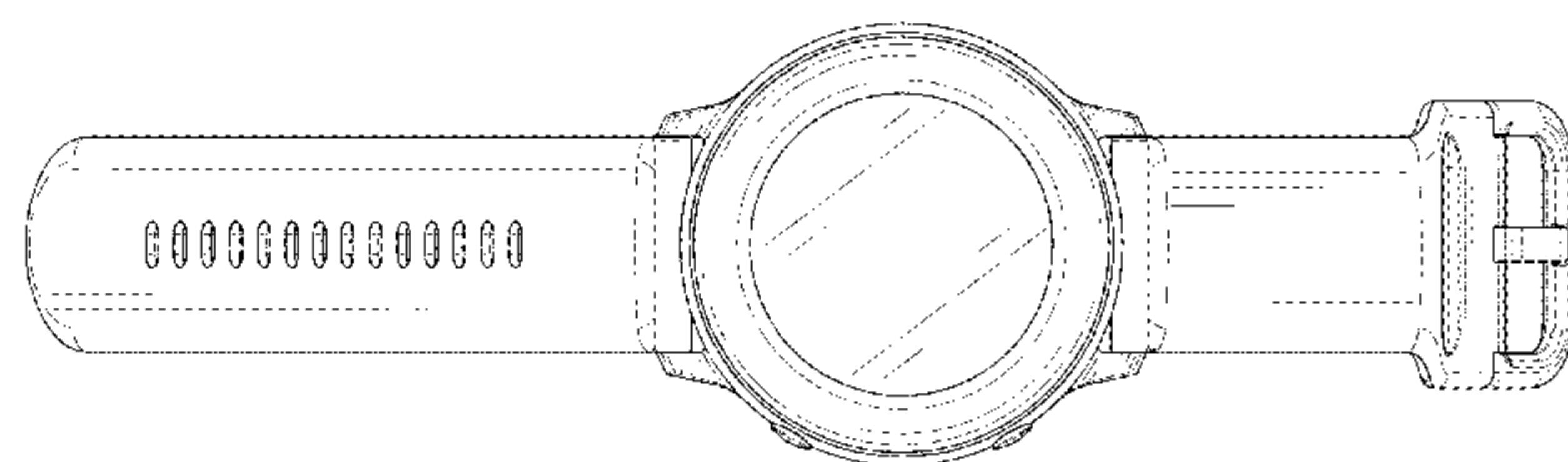
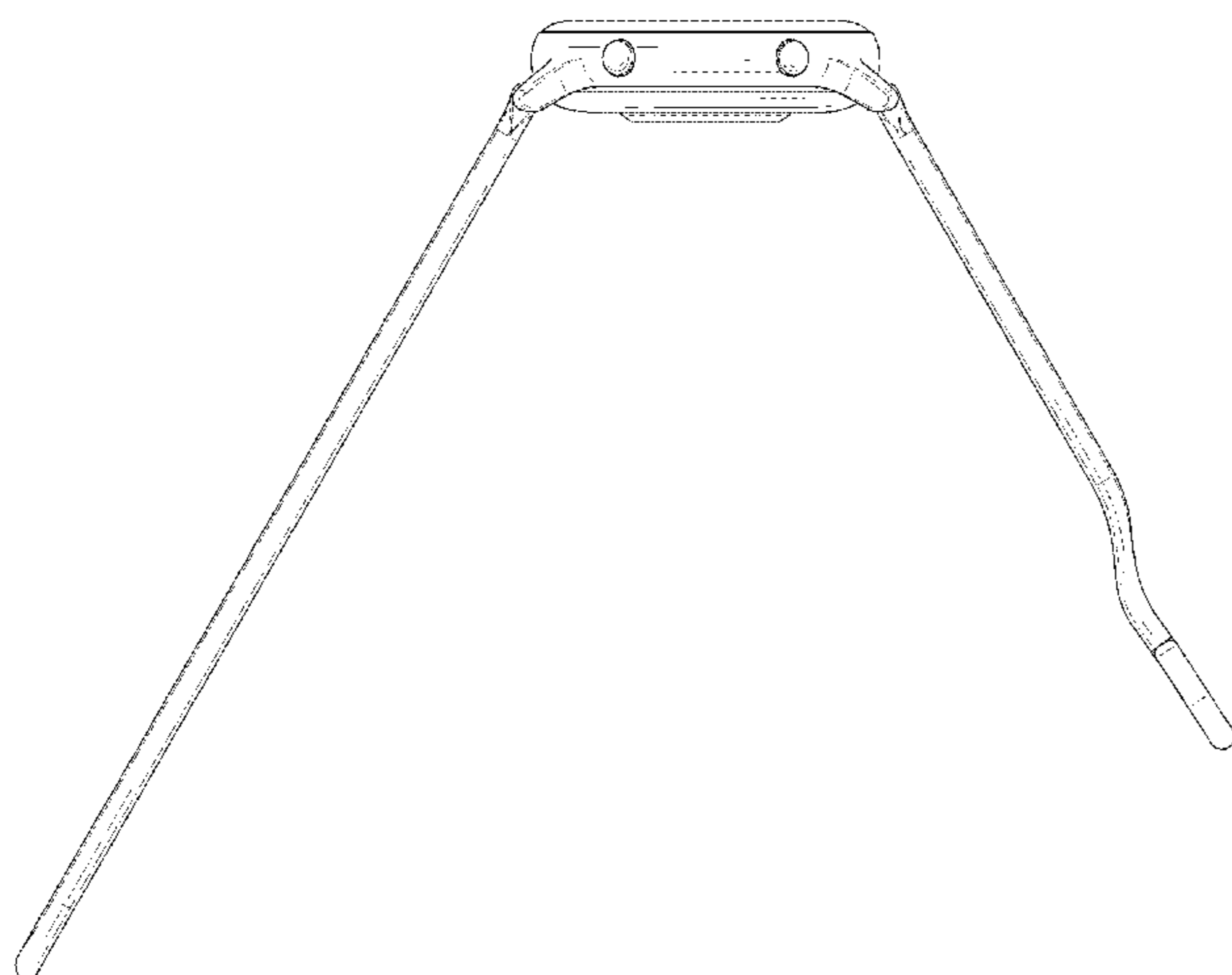
(57) **CLAIM**

The ornamental design for a smart watch, as shown and described.

DESCRIPTION

FIG. 1 is a front and top perspective view of a smart watch, showing my new design;
FIG. 2 is a rear and bottom perspective view thereof;
FIG. 3 is a front elevational view thereof;
FIG. 4 is a rear elevational view thereof;
FIG. 5 is a left side elevational view thereof,
FIG. 6 is a right side elevational view thereof;
FIG. 7 is a top plan view thereof; and,
FIG. 8 is a bottom plan view thereof.
The dashed broken lines in the figures illustrate portions of the smart watch that form no part of the claimed design.

1 Claim, 8 Drawing Sheets



(56)

References Cited

U.S. PATENT DOCUMENTS

2019/0379122 A1* 12/2019 Kenkel H01Q 1/273
 2019/0388028 A1* 12/2019 Kim H01Q 1/24

FOREIGN PATENT DOCUMENTS

CN 305221065 * 6/2019
 CN 305660229 * 3/2020
 CN 305963695 * 8/2020

OTHER PUBLICATIONS

UMIDIGI Smart Watch Urun S, date first available Oct. 20, 2020 [online], [retrieved Apr. 23, 2021]. Available from Internet, URL: <https://www.amazon.com/UMIDIGI-Activity-Tracker-Waterproof-Pedometer/dp/B08M9277C6/ref=psdc_5393958011_t2_B08LL3LJV5?th=1> (Year: 2020).*

AGPTEK IP68, date first available Sep. 8, 2020 [online], [retrieved Apr. 23, 2021]. Available from Internet, URL: <<https://www.amazon.com/AGPTEK-Waterproof-Smartwatch-Activity-Pedometer/dp/>

B08HMY8NG/ref=psdc_7939901011_t2_B08J41PMYF?th=1 > (Year: 2020).*

Samsung Galaxy Watch Active, date first available Feb. 21, 2019 [online], [retrieved Apr. 23, 2021]. Available from Internet, <https://www.amazon.com/Samsung-Galaxy-Watch-Active-40mm/dp/B07NFMNQB/ref=psdc_7939901011_t1_B07VNBC9Z9> (Year: 2019).*

RUNDOING SmartWatch, date first available Jul. 30, 2019 [online], [retrieved Apr. 23, 2021]. Available from Internet, <<https://www.amazon.com/dp/B07VTMH1NY/>> (Year: 2019).*

Samsung Galaxy Watch Active 2, date first available Sep. 6, 2019 [online], [retrieved Apr. 23, 2021]. Available from Internet, URL: <https://www.amazon.com/dp/B07VPF4DGW/ref=sspa_dk_detail_0?pd_rd_i=B07VNBC9Z9&pdrdw=s0FyU&pf_rd_p=085568d9-3b13-4ac1-8ae4-24a26c00cbOc&pd_rd_wg=zb0ea&pf_rd_r=7EM1DNKV9R7DX57N81TT&pd_rd_r=5494a120-c1ae-4aff-951f-443325c8ef13&spLa=ZW5jcnlwdGVkUXVhbGlmaWVyPUFPTFZPSk8yVzNQR1YmZW5jcnlwdGVkSWQ9QTAYnJjU2NjVIQINNQjJOQ1IQRIMmZW5jcnlwdGVkQWRJZD1BMDY4ODI3NUUzOUhFUINaWUU0VCZ3aWRnZXROYW1IPXNwX2RldGFpbCZhY3Rpb249Y2xpY2tSZWRpcmVjdCZkb05vdExvZ0NsaWNrPXRydWU&th=1> (Year: 2019).*

* cited by examiner

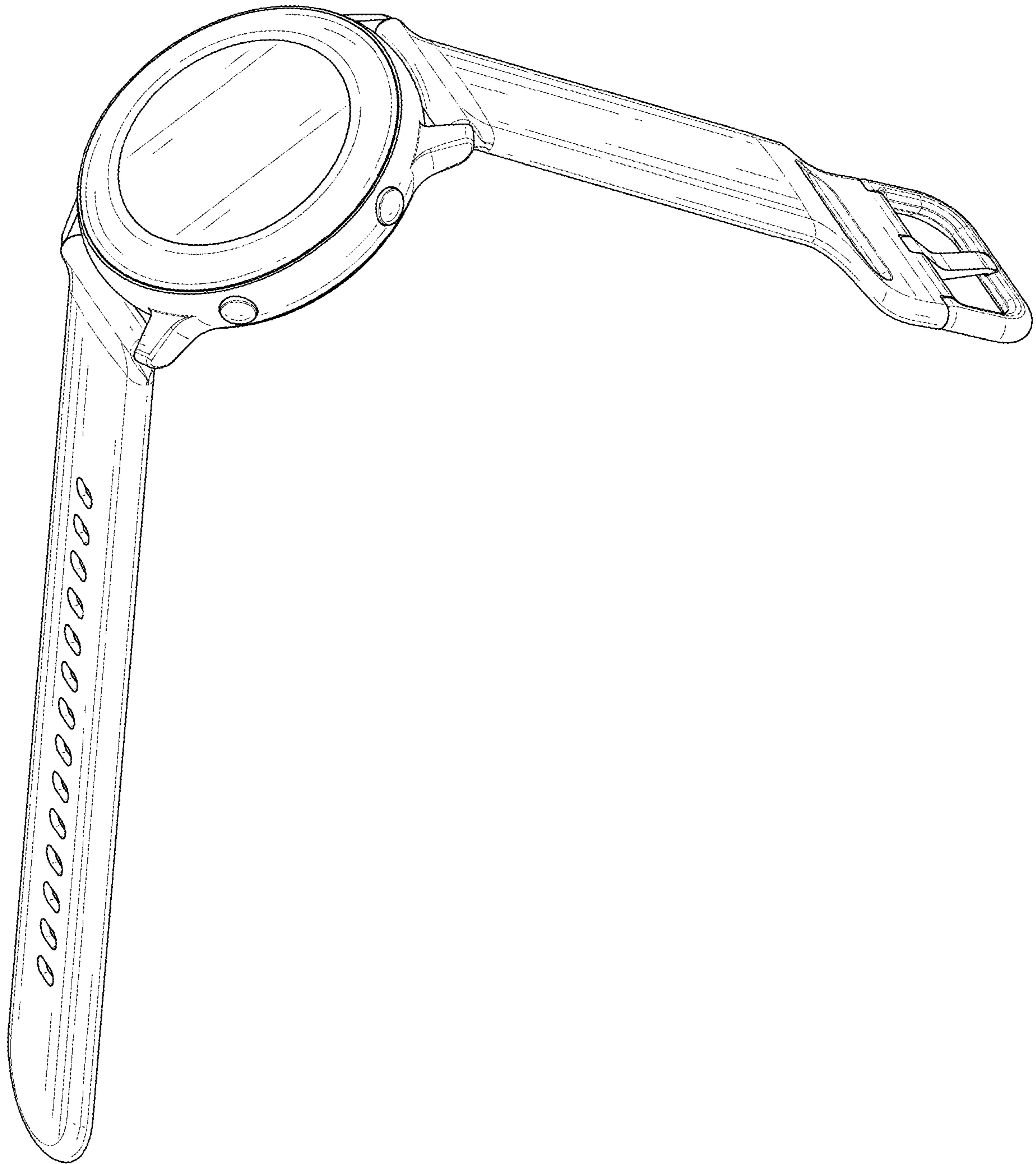


FIG. 1

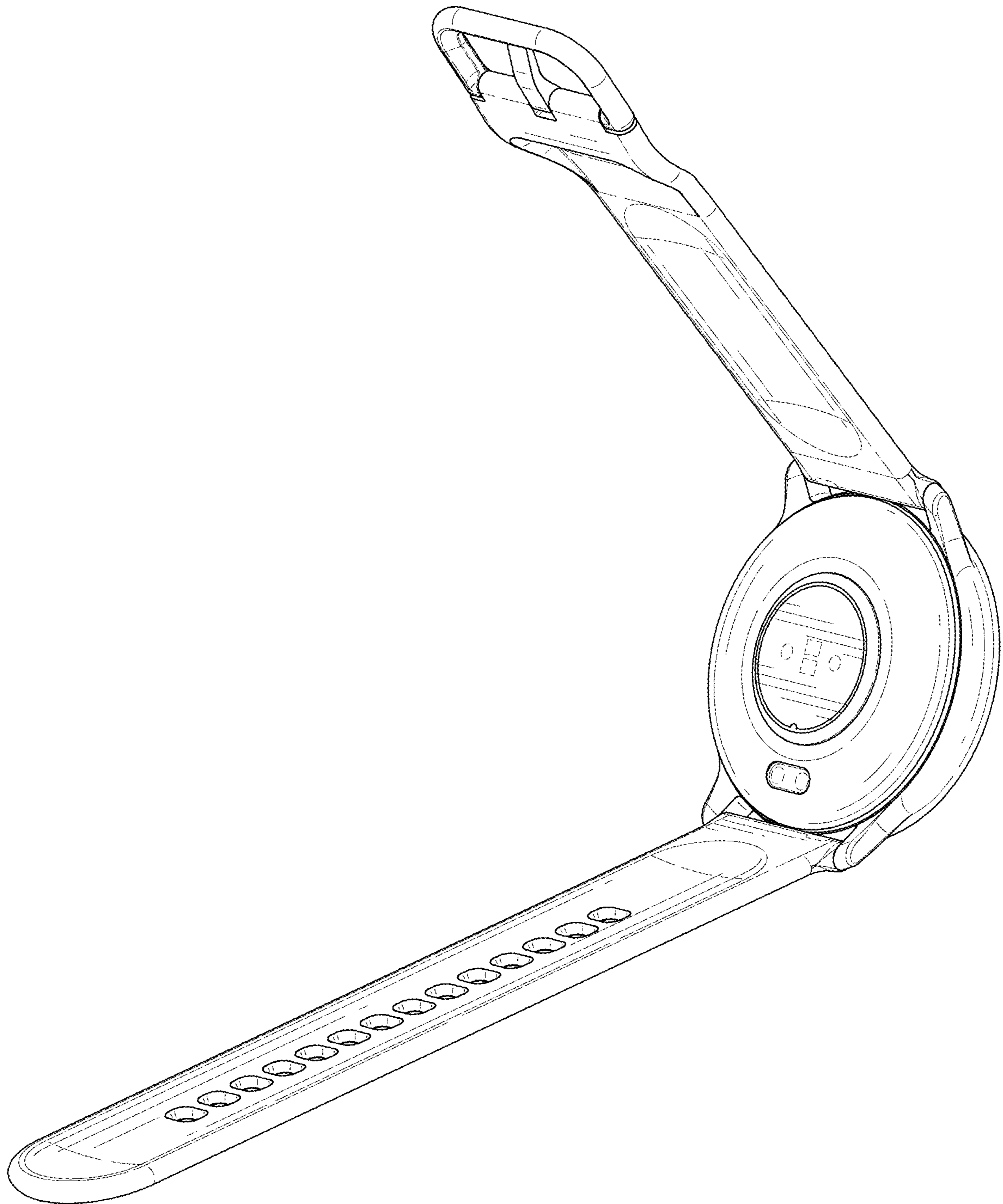


FIG. 2

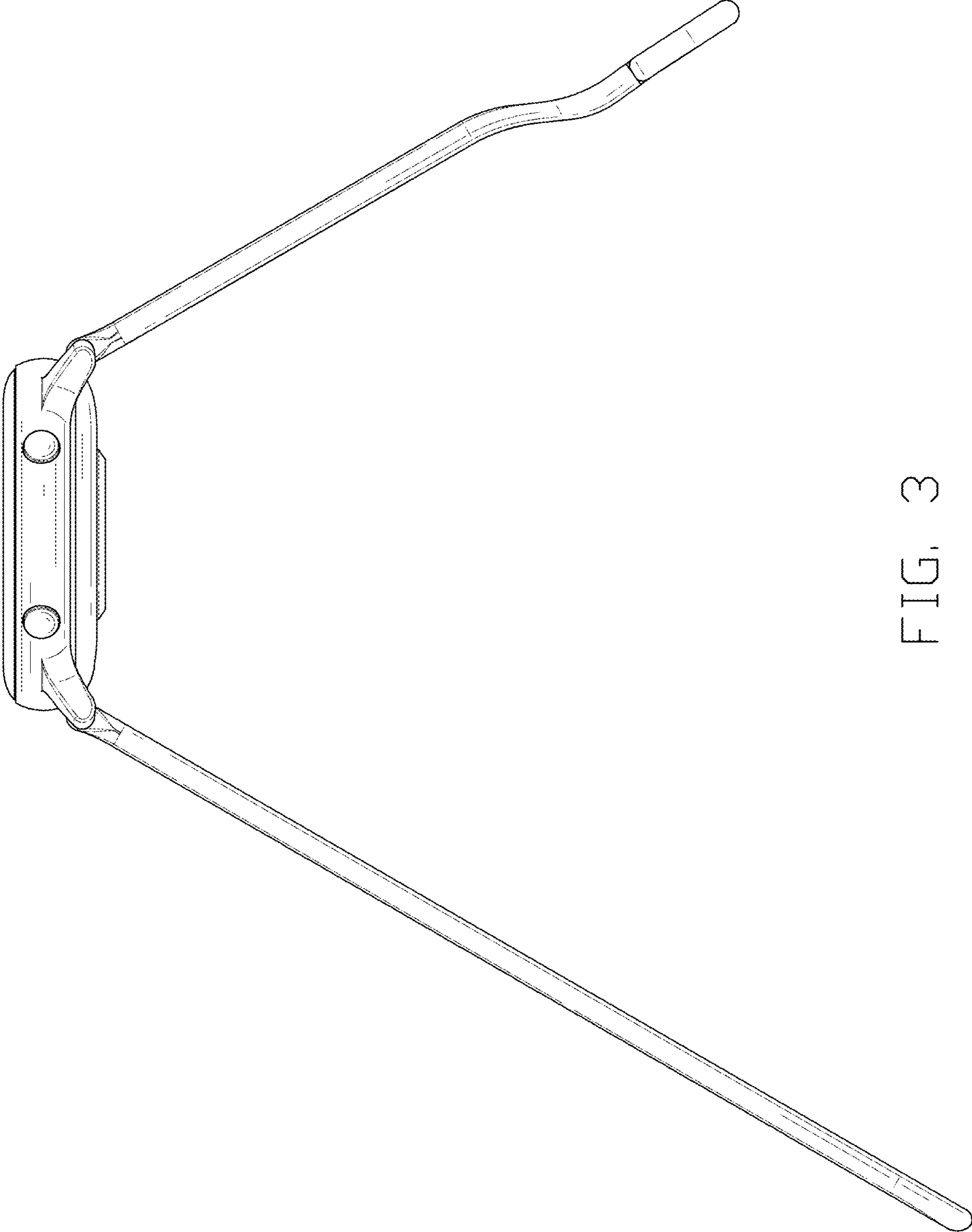


FIG. 3

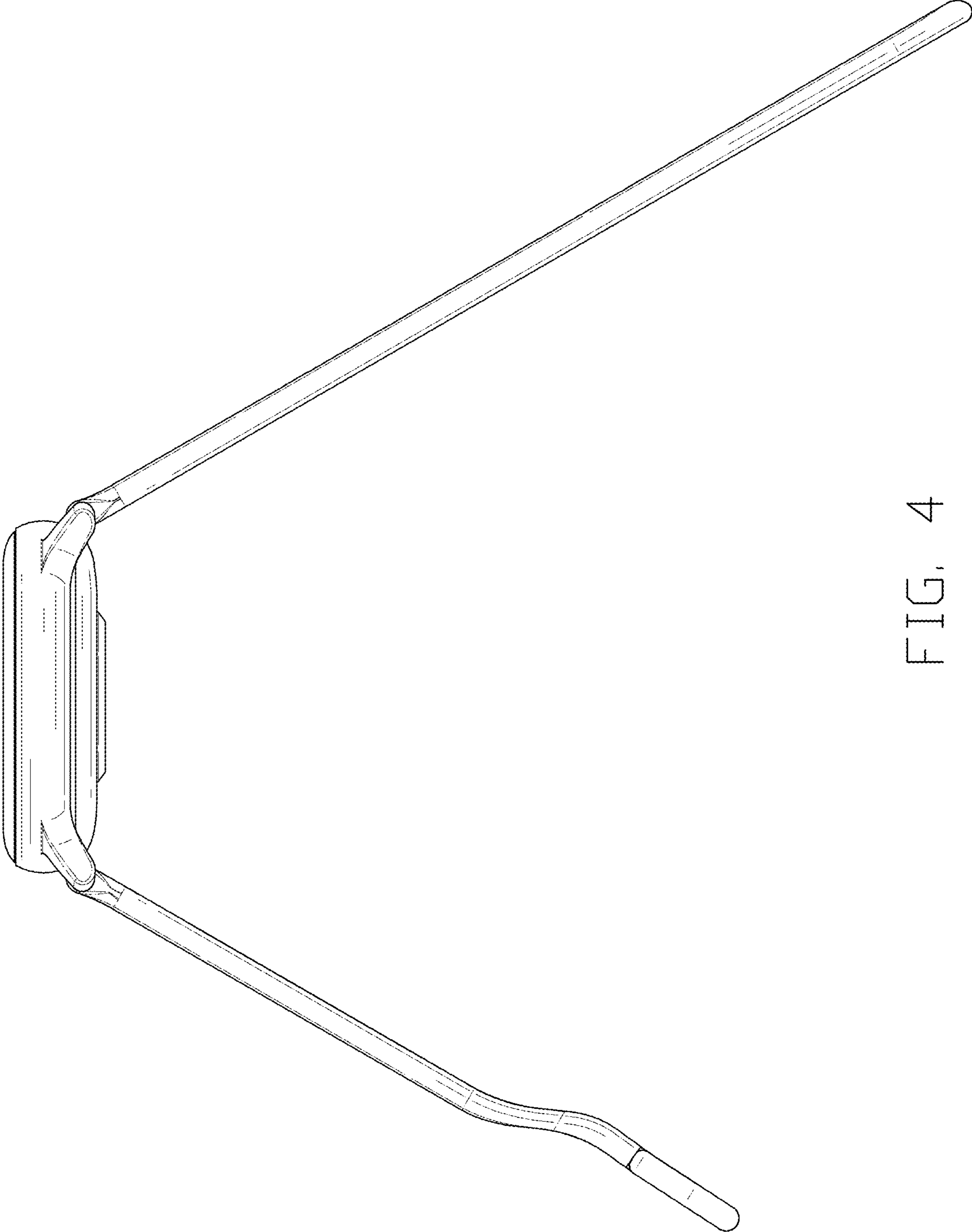


FIG. 4

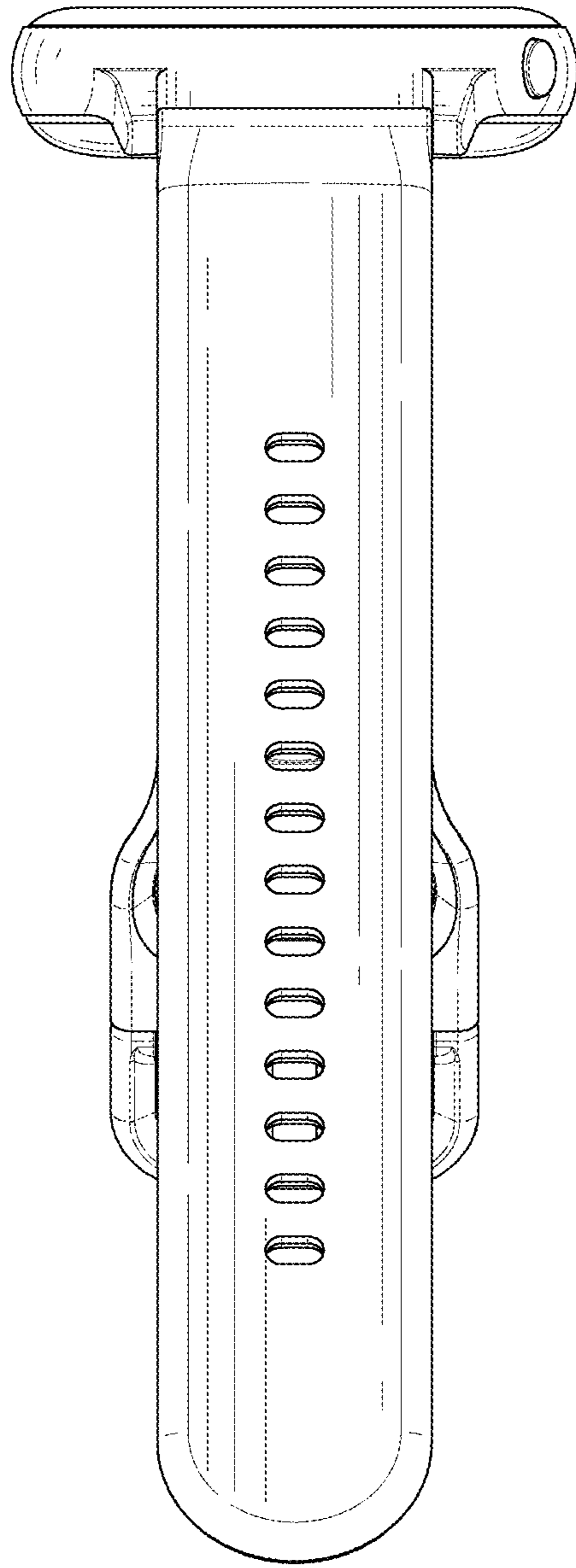


FIG. 5

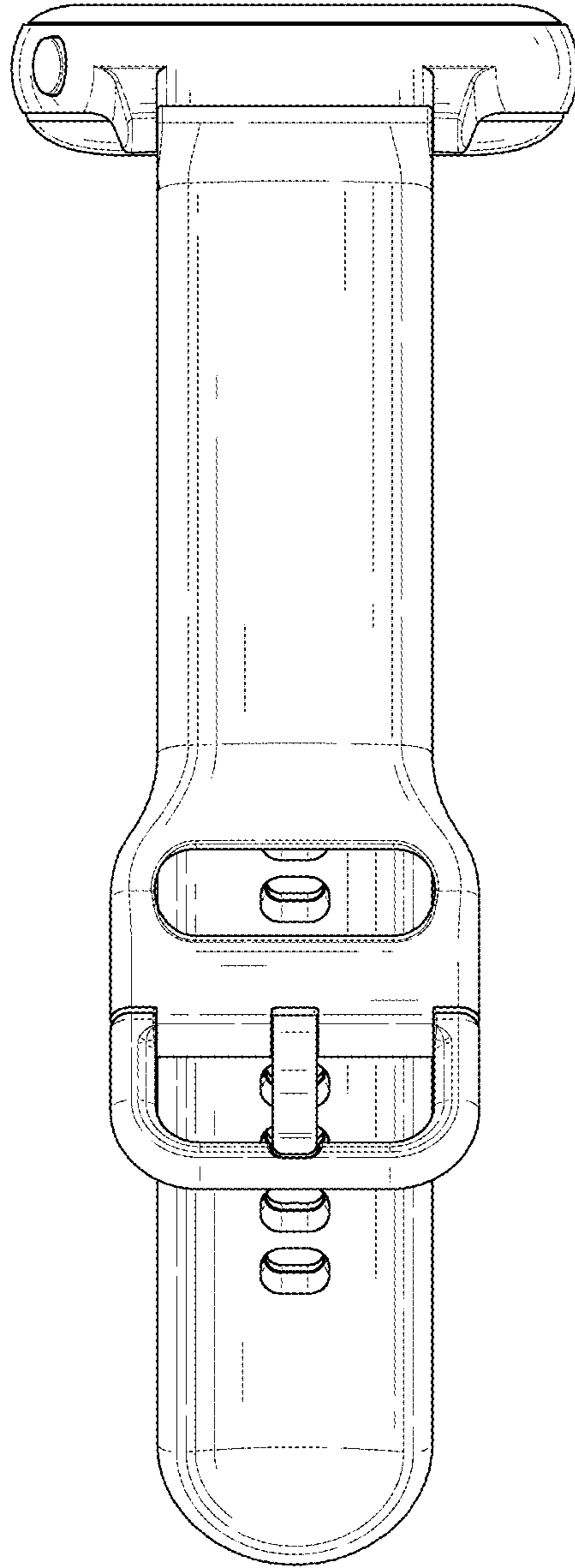


FIG. 6

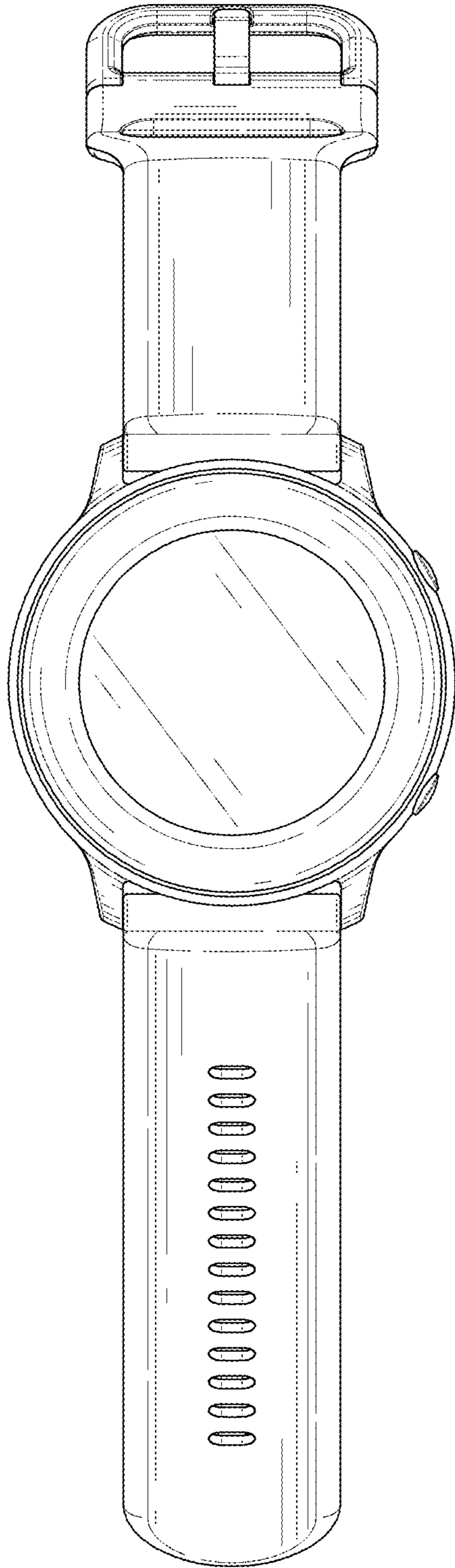


FIG. 7

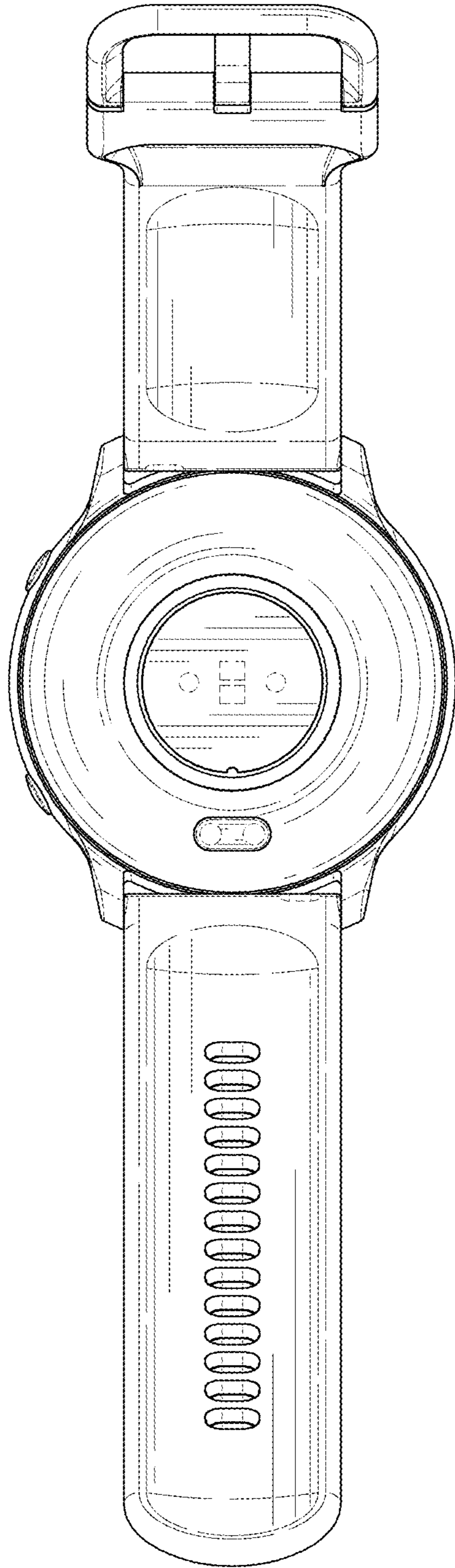


FIG. 8