



US00D923003S

(12) **United States Design Patent** (10) **Patent No.:** **US D923,003 S**
Lin (45) **Date of Patent:** **** Jun. 22, 2021**

(54) **WEARABLE DEVICE**

- (71) Applicant: **HUMBOLDT TECHNOLOGY (HK) LIMITED, K1 (HK)**
- (72) Inventor: **Wuqiang Lin, Shenzhen (CN)**
- (**) Term: **15 Years**
- (21) Appl. No.: **29/754,717**
- (22) Filed: **Oct. 14, 2020**
- (51) **LOC (13) Cl.** **14-02**
- (52) **U.S. Cl.**
USPC **D14/344**
- (58) **Field of Classification Search**
USPC ... D14/344, 138 R, 144, 341, 358, 205, 223, D14/249; D10/30-39, 70, 98; D11/3, D11/93-94; D24/167, 169, 186-187, D24/106, 173-175
CPC G06F 1/163; G04G 21/08; G04G 17/08; A61B 5/681; A61B 5/0243
See application file for complete search history.

(56) **References Cited**

U.S. PATENT DOCUMENTS

D797,150 S *	9/2017	Akana	D14/496
D839,753 S *	2/2019	Domke	D10/30
D855,813 S *	8/2019	Hu	D24/186
D867,179 S *	11/2019	Akana	D10/70
D869,461 S *	12/2019	Ke	D14/344
D869,462 S *	12/2019	Ke	D14/344
D877,145 S *	3/2020	Shin	D14/344
D887,406 S *	6/2020	Mao	D14/344
D889,459 S *	7/2020	Zhang	D14/344
D891,425 S *	7/2020	Lin	D14/344
D900,809 S *	11/2020	Gao	D14/344
D910,617 S *	2/2021	Vandenbussche	D14/344
D912,665 S *	3/2021	Zhang	D14/344
D914,678 S *	3/2021	Zheng	D14/344
2017/0086743 A1 *	3/2017	Bushnell	A61B 5/681
2018/0085058 A1 *	3/2018	Chakravarthi	...	A61B 5/150022
2018/0220754 A1 *	8/2018	Strebe	A44C 5/0053
2021/0052221 A1 *	2/2021	Panneer Selvam	A61B 5/486

FOREIGN PATENT DOCUMENTS

CN	305911414	*	7/2020
CN	306229444	*	12/2020
CN	306400336	*	3/2021

OTHER PUBLICATIONS

Realme Watch, date first available Jul. 28, 2020 [online], [retrieved Apr. 20, 2021]. Available from Internet, URL: <<https://www.amazon.com/Blood-Oxygen-Resistant-Bluetooth-Smartwatch-International/dp/B089NZG3Z3>> (Year: 2020).*

Willful SmartWatch, date first available Oct. 9, 2019 [online], [retrieved Apr. 20, 2021]. Available from Internet, URL: <https://www.amazon.com/Willful-Compatible-Swimming-Waterproof-Smartwatch/dp/B07YWRXVP6/ref=as_li_ss_tl?ie=UTF8&linkCode=II1&tag=nutrition-best-heart-rate-monitoring-watch-20&linkId=d96cafdac0f1a99b98c20c500db64ead&language=en_US&correlationId=b0019bb5-a96c-4c77-bbb8-cc00312ee362&th=1> (Year: 2019).*

(Continued)

Primary Examiner — Dana K Weiland

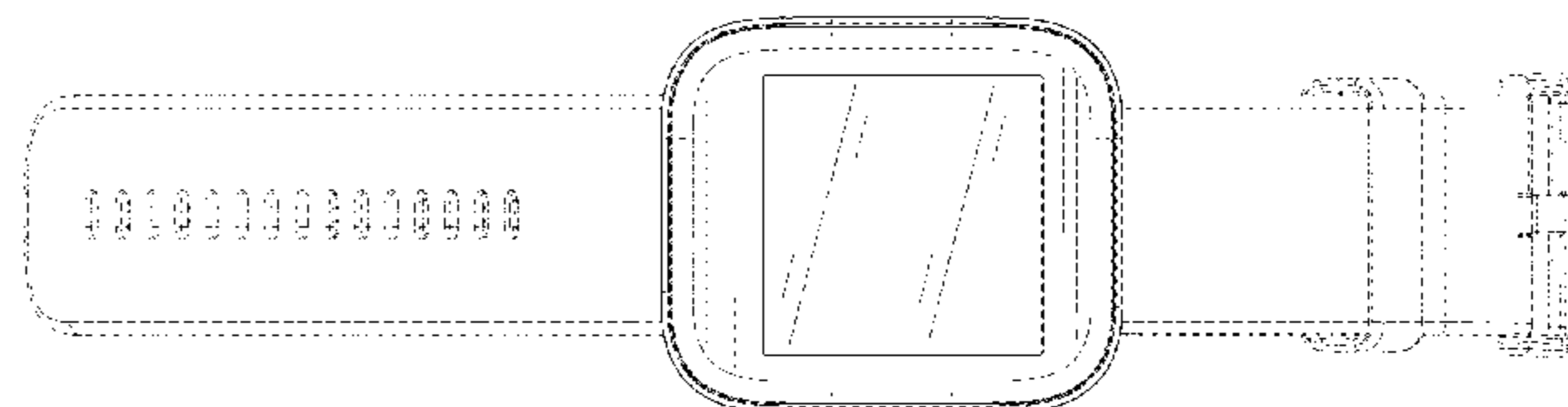
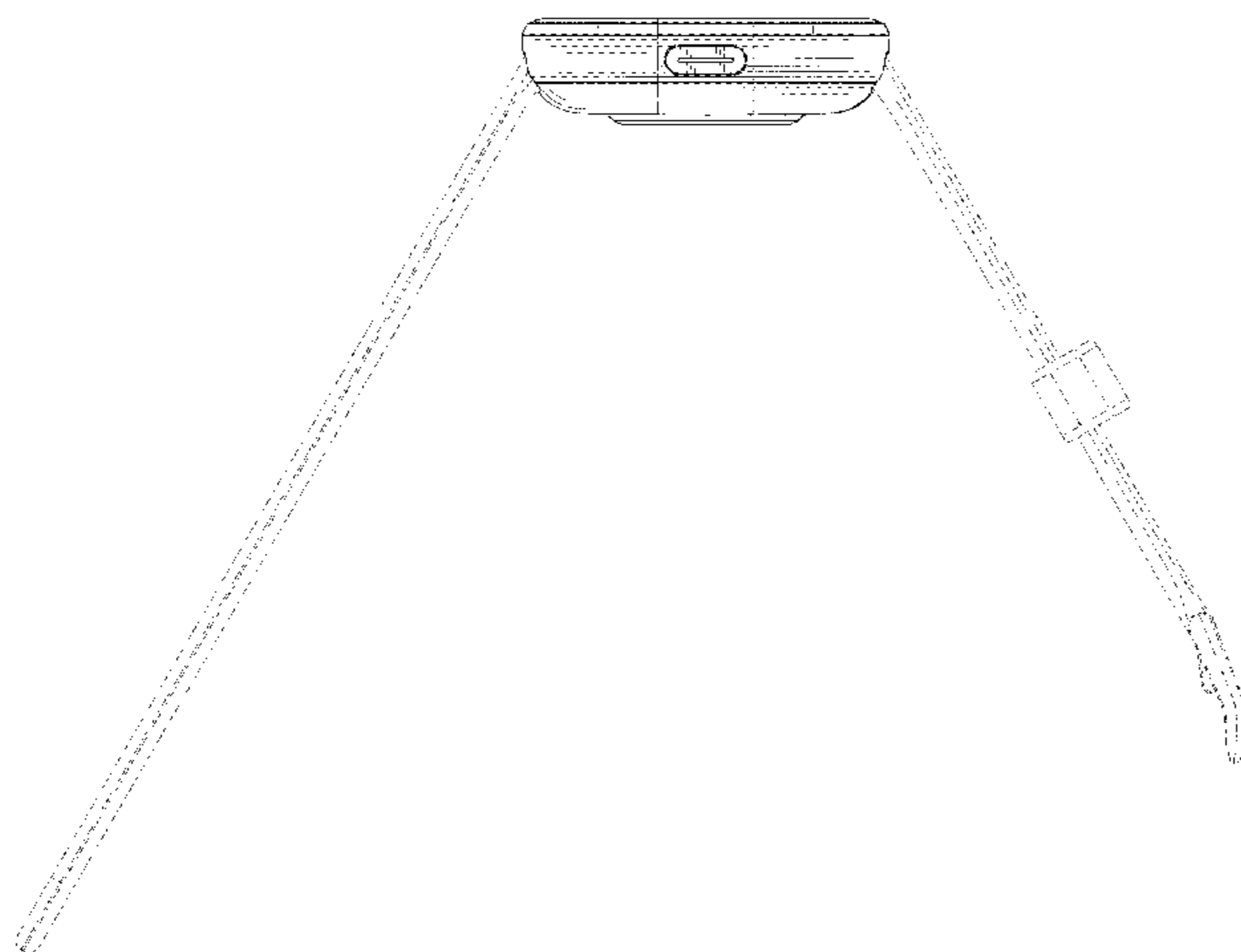
(57) **CLAIM**

The ornamental design for a wearable device, as shown and described.

DESCRIPTION

FIG. 1 is a front and top perspective view of a wearable device, showing my new design;
 FIG. 2 is a rear and bottom perspective view thereof;
 FIG. 3 is a front elevational view thereof;
 FIG. 4 is a rear elevational view thereof;
 FIG. 5 is a left side elevational view thereof;
 FIG. 6 is a right side elevational view thereof;
 FIG. 7 is a top plan view thereof; and,
 FIG. 8 is a bottom plan view thereof.
 The broken lines in the figures illustrate portions of the wearable device that form no part of the claimed design.

1 Claim, 8 Drawing Sheets



(56)

References Cited

OTHER PUBLICATIONS

Letsfit Smart Watch, date first available Dec. 25, 2020 [online], [retrieved Apr. 20, 2021]. Available from Internet, URL: <https://www.amazon.com/Letsfit-Android-Compatible-Saturation-Waterproof/dp/B08R9PID3H/ref=cm_cr_ar_p_d_product_top?ie=UTF8&th=1> (Year: 2020).*

iTouch Air 3 Smartwatch, first available review Oct. 2020 [online], [retrieved Apr. 20, 2021]. Available from Internet, URL: <<https://itouchwearables.com/products/itouch-air-3-smartwatch-gold-case-with-beige-strap?variant=32039841202234>> (Year: 2020).*

Xiaomi Mi Watch Lite, announced Mar. 16, 2021 [online], [retrieved Apr. 20, 2021]. Available from Internet, URL: <<https://www.androidauthority.com/xiaomi-mi-watch-lite-review-1187945/>> (Year: 2021).*

YAMAY Smart Watch, date first available Feb. 26, 2020 [online], [retrieved Apr. 20, 2021]. Available from Internet, URL: <https://www.amazon.com/YAMAY-Pressure-Waterproof-Smartwatch-Compatible/dp/B0855JDXGD/ref=sr_1_1_sspa?dchild=1&keywords=YAMAY+Smart+Watch&qid=1618934550&sr=8-1-spons&psc=1&smid=A1TWOSQHLQBLKC&spLa=ZW5jcnlwdGVkUXVhbGlmaWVyPUEyOUdCQ1AzQzNaTU5WJmVuY3J5cHRIZEFkPUEwMjkwMDg5MVEzRDE0NjA1OFVSJmVuY3J5cHRIZEFkSWQ9QTAwMzU3OTNONzFMQjlwWDk4Ullmd2lkZ2V0TmFtZT1zcF9hdGYmYWN0aW9uPWNsaWNrUmVkaXJlY3QmZG9Ob3RMB2dDbGljaz10cnVI> (Year: 2020).*

* cited by examiner

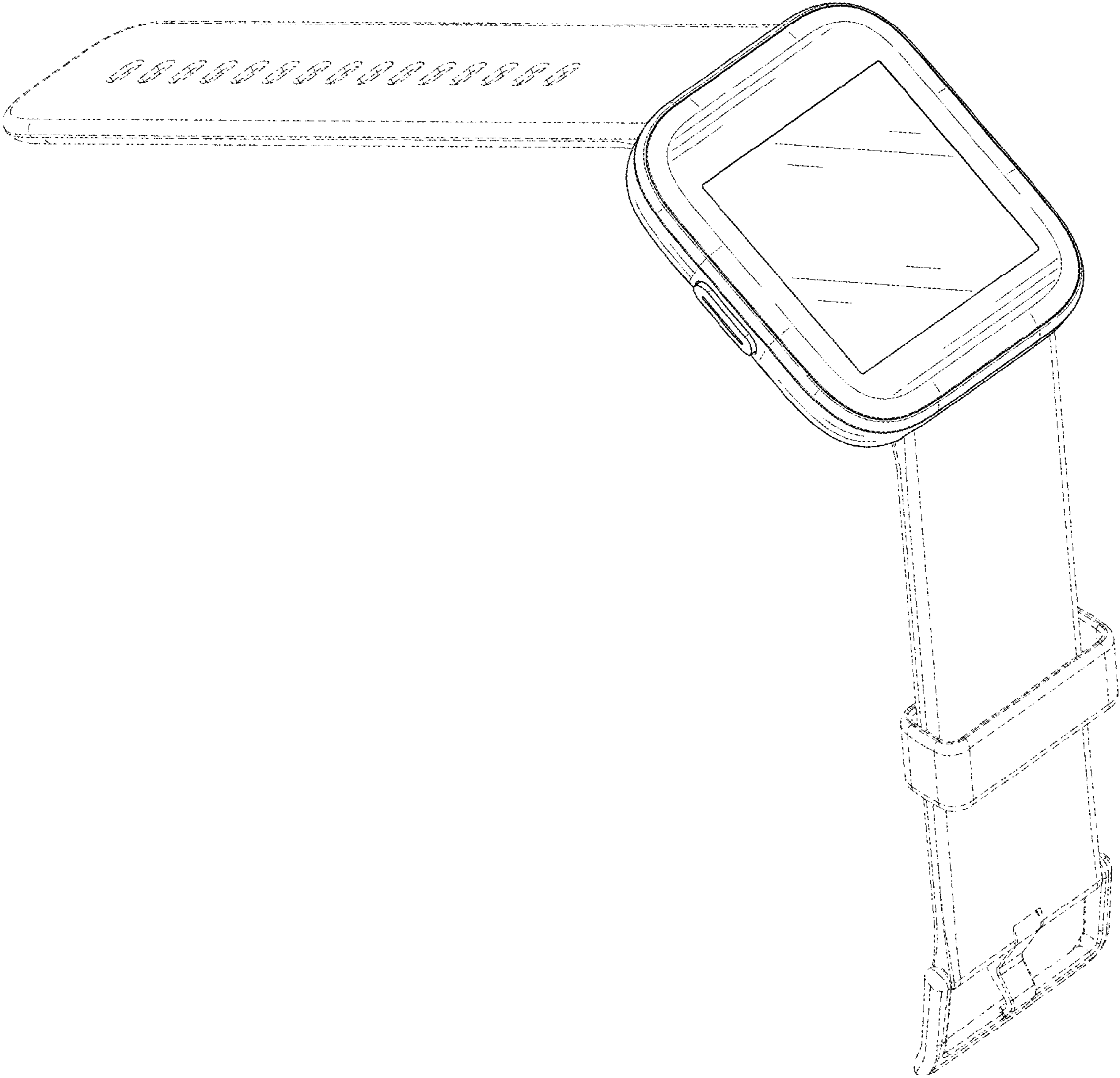


FIG. 1

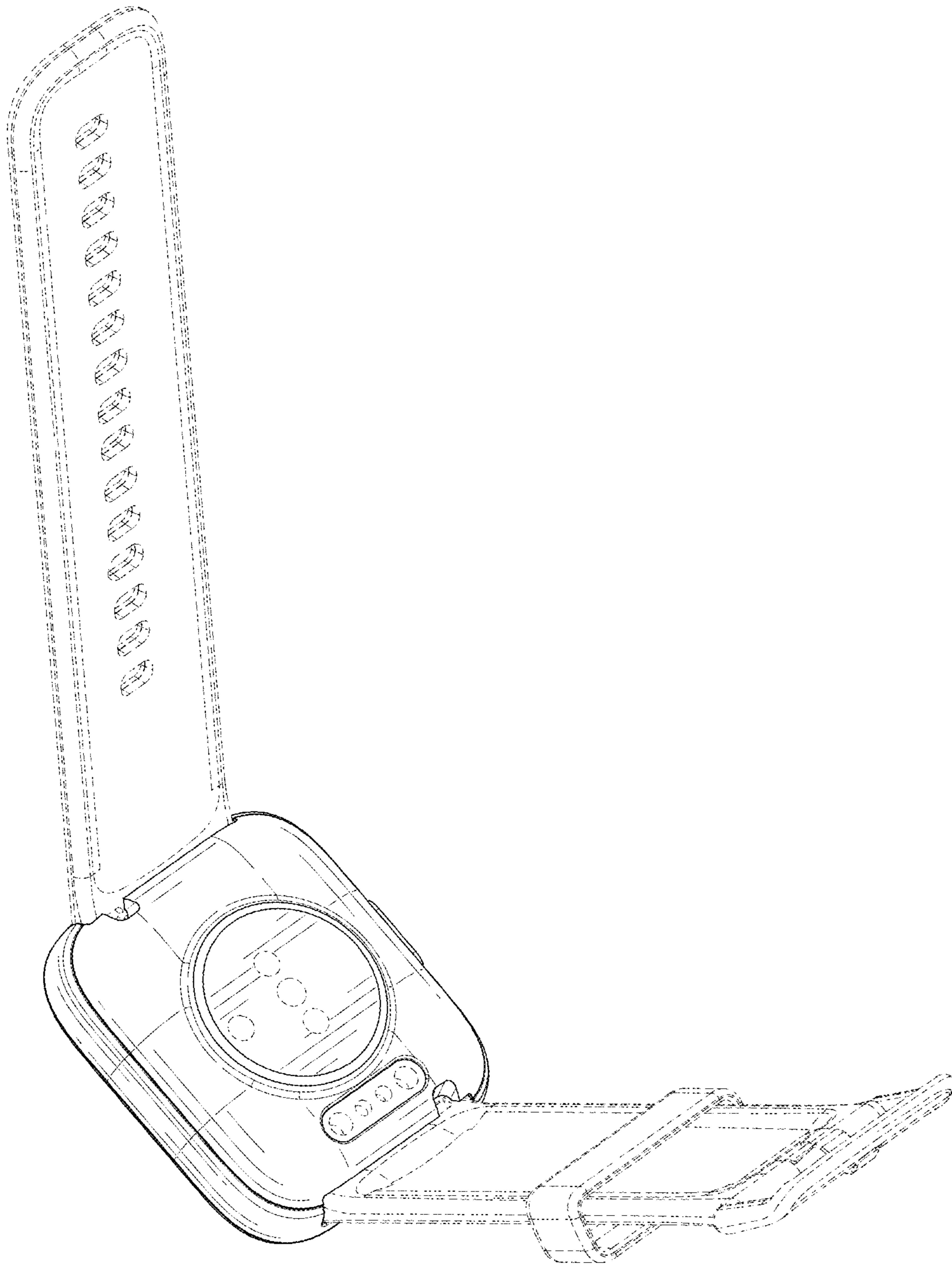


FIG. 2

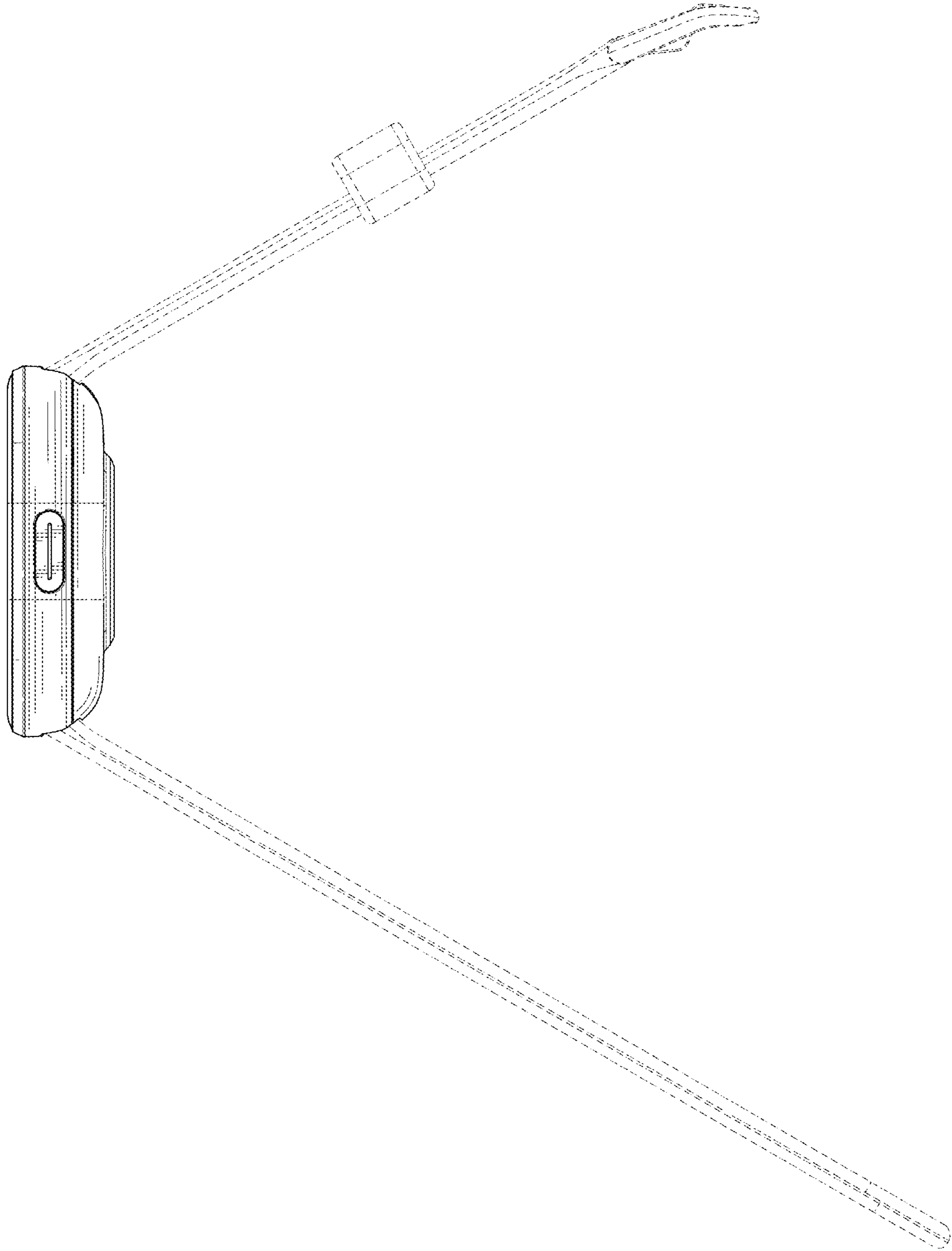


FIG. 3

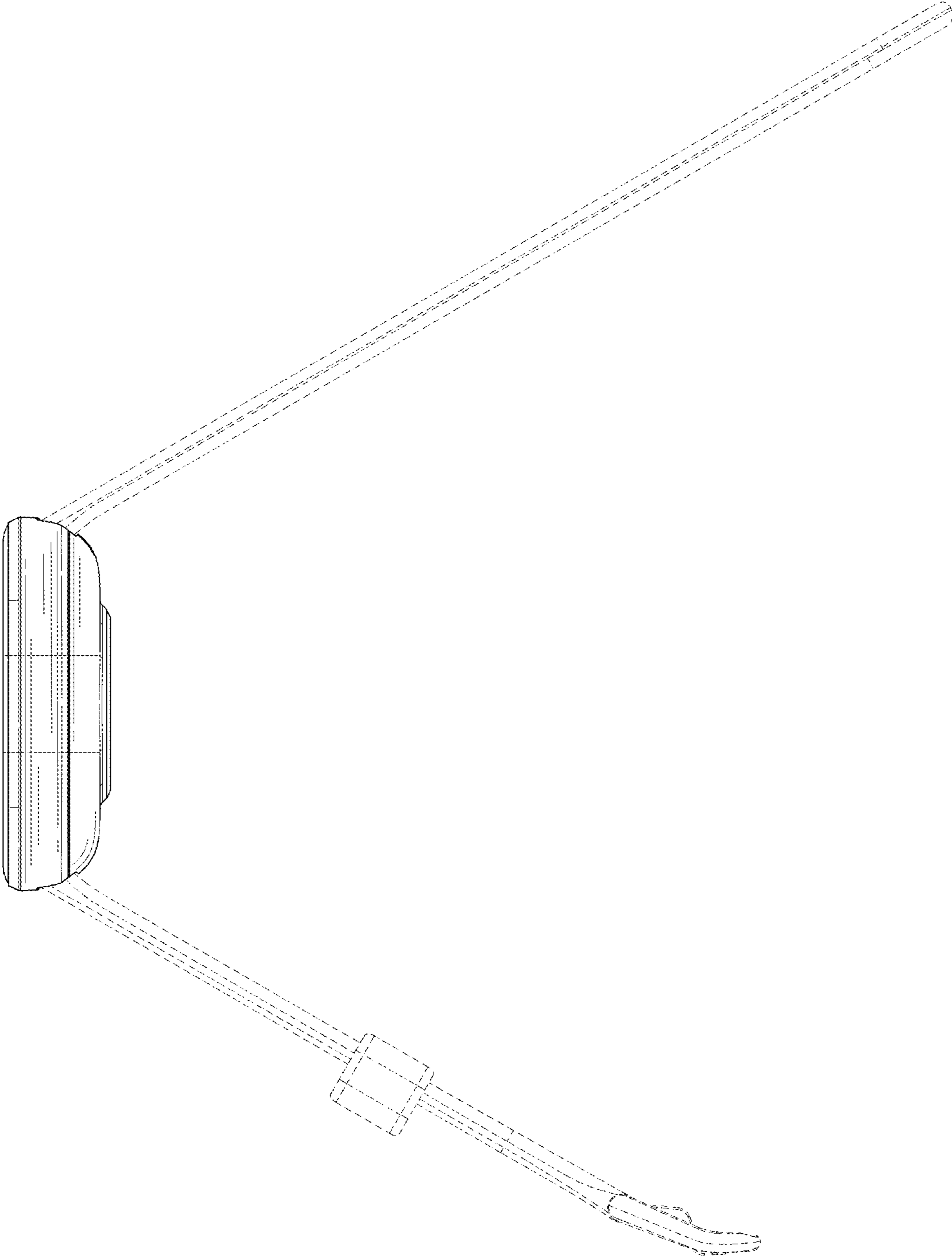


FIG. 4

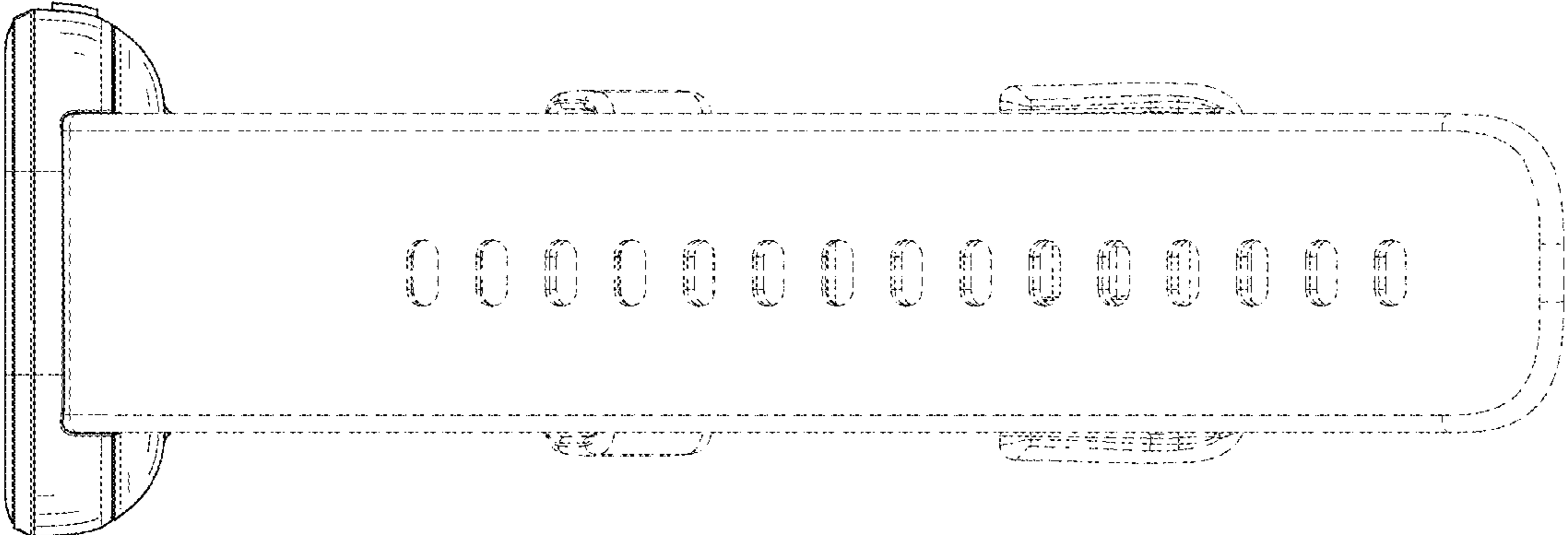


FIG. 5

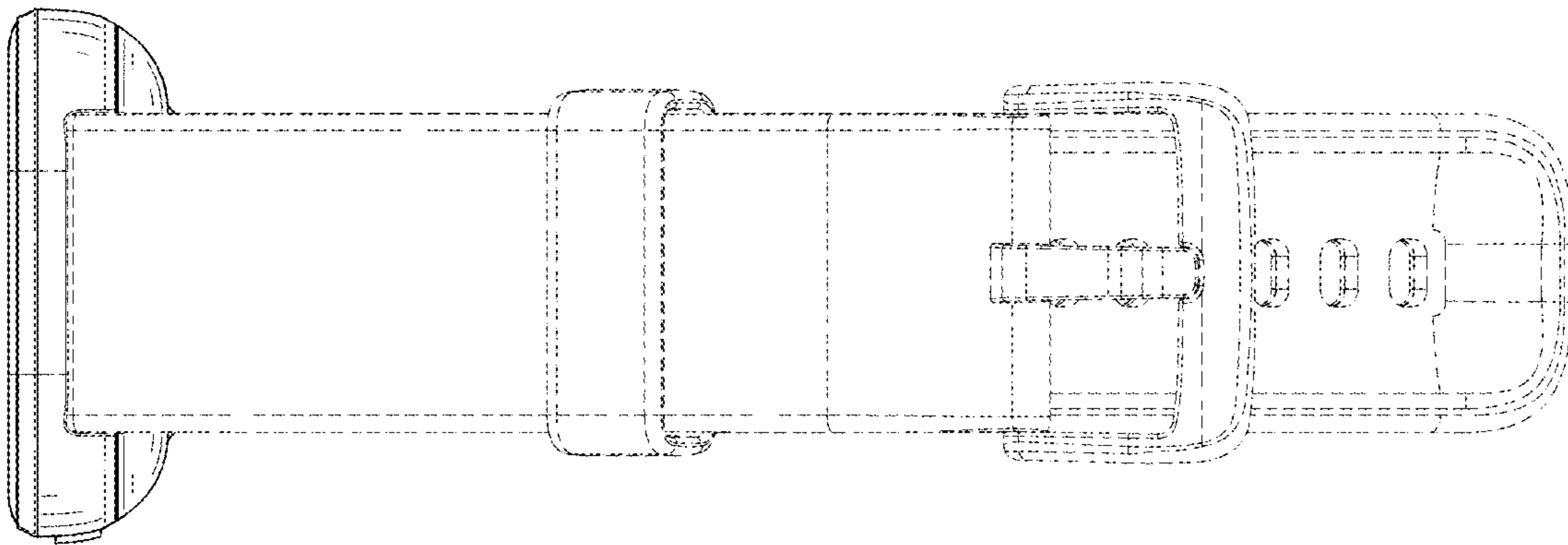


FIG. 6

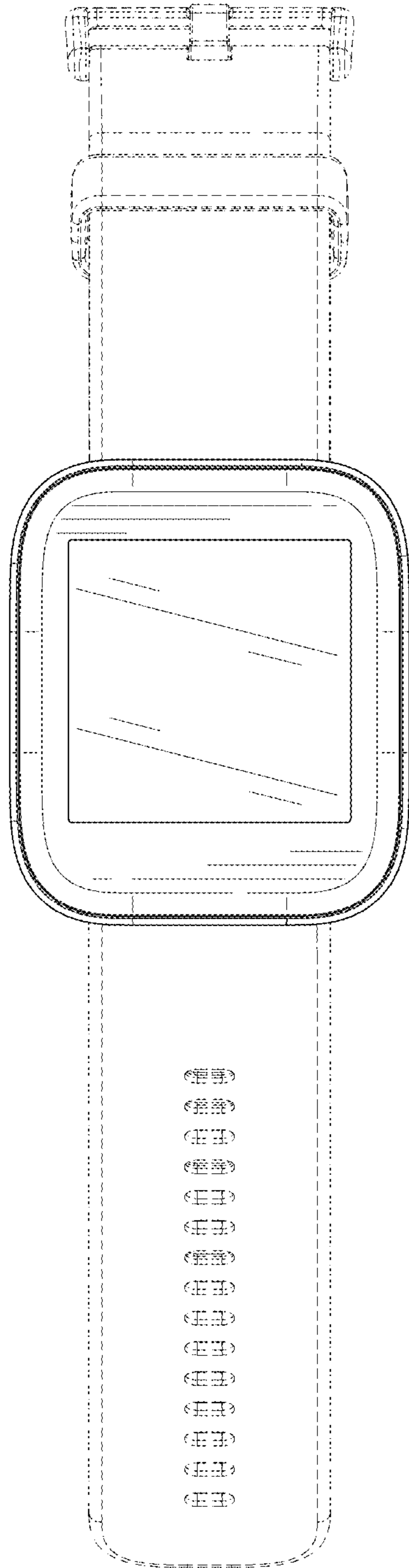


FIG. 7

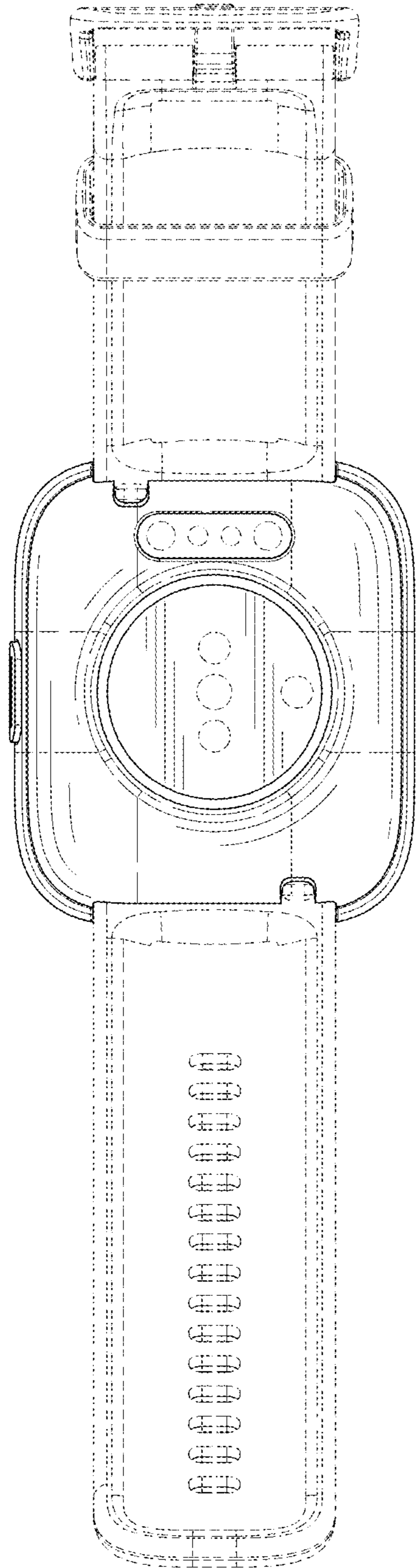


FIG. 8