



US00D923002S

(12) **United States Design Patent**
Hong et al.

(10) **Patent No.:** **US D923,002 S**
(45) **Date of Patent:** **** Jun. 22, 2021**

(54) **SMART WATCH BODY**

- (71) Applicant: **Samsung Electronics Co., Ltd.**, Suwon-si (KR)
- (72) Inventors: **Jaehyung Hong**, Suwon-si (KR); **Kwangha Choi**, Suwon-si (KR); **Insik Chung**, Suwon-si (KR); **Yongseok Bang**, Suwon-si (KR); **Sanhui Oh**, Suwon-si (KR)
- (73) Assignee: **Samsung Electronics Co., Ltd.**, Suwon-si (KR)

(**) Term: **15 Years**

(21) Appl. No.: **29/705,145**

(22) Filed: **Sep. 10, 2019**

(30) **Foreign Application Priority Data**

Jul. 12, 2019 (KR) 30-2019-0033467

(51) **LOC (13) Cl.** **14-02**

(52) **U.S. Cl.**
USPC **D14/344**

(58) **Field of Classification Search**
USPC ... D14/126-130, 138, 138 R, 144, 300, 341,
D14/344, 358, 388, 485-495, 218;
(Continued)

(56) **References Cited**

U.S. PATENT DOCUMENTS

- D625,203 S * 10/2010 Giannini D10/32
 - D740,136 S * 10/2015 Henne D10/30
- (Continued)

FOREIGN PATENT DOCUMENTS

CN 202030298708.6 * 6/2020

OTHER PUBLICATIONS

Samsung Galaxy Watch Active 2, first available Sep. 6, 2019, amazon.com, [online], [site visited Feb. 3, 2021], Available from internet URL: https://www.amazon.com/Samsung-enhanced-tracking-analysis-coaching/dp/B07VKQ54V1/ref=sr_1_9?dchild=1&keywords=smart+watch&qid=1612%E2%80%A6 (Year: 2019).*

(Continued)

Primary Examiner — Samantha Q Lawrence

Assistant Examiner — Holly M Rodriguez

(74) *Attorney, Agent, or Firm* — NSIP Law

(57) **CLAIM**

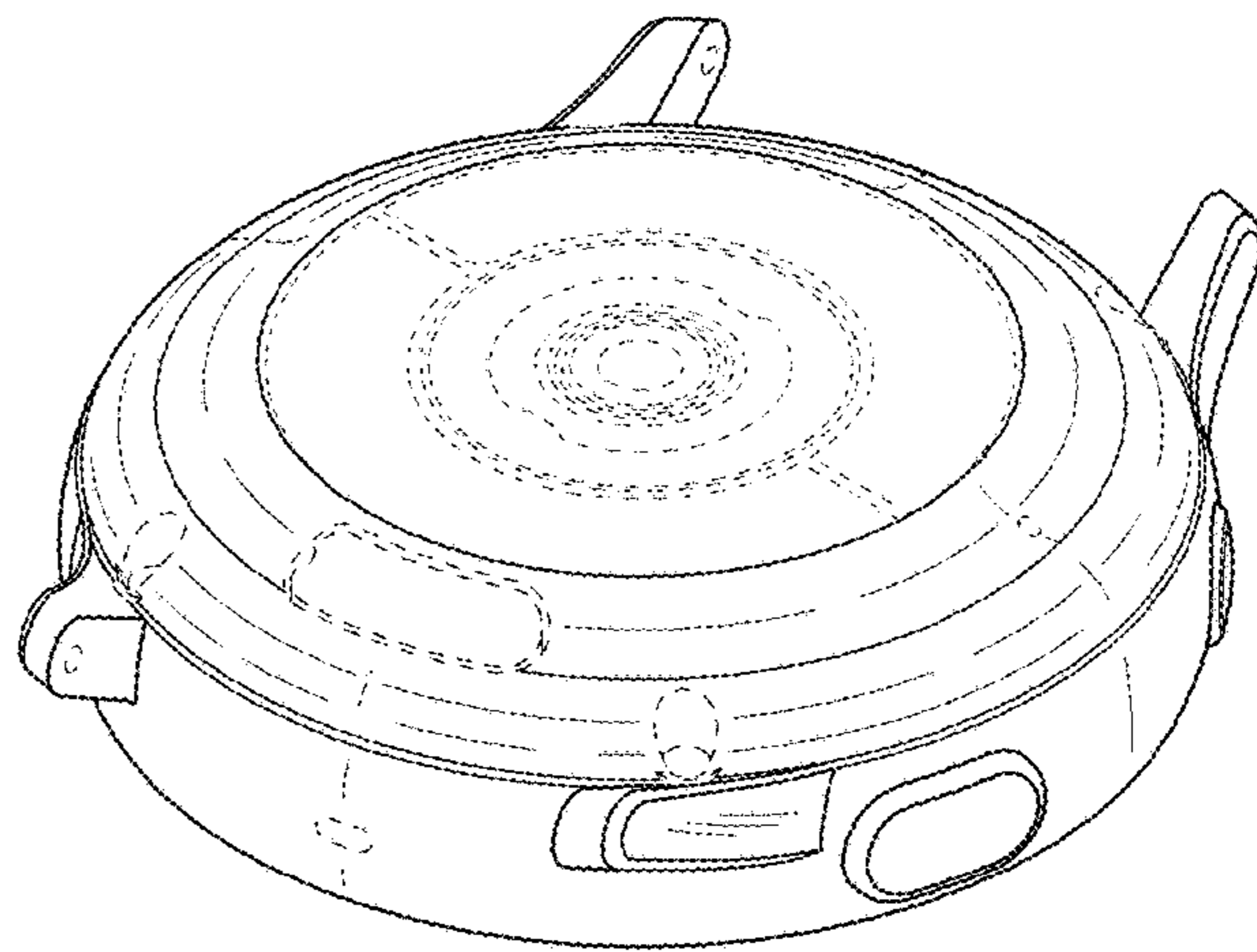
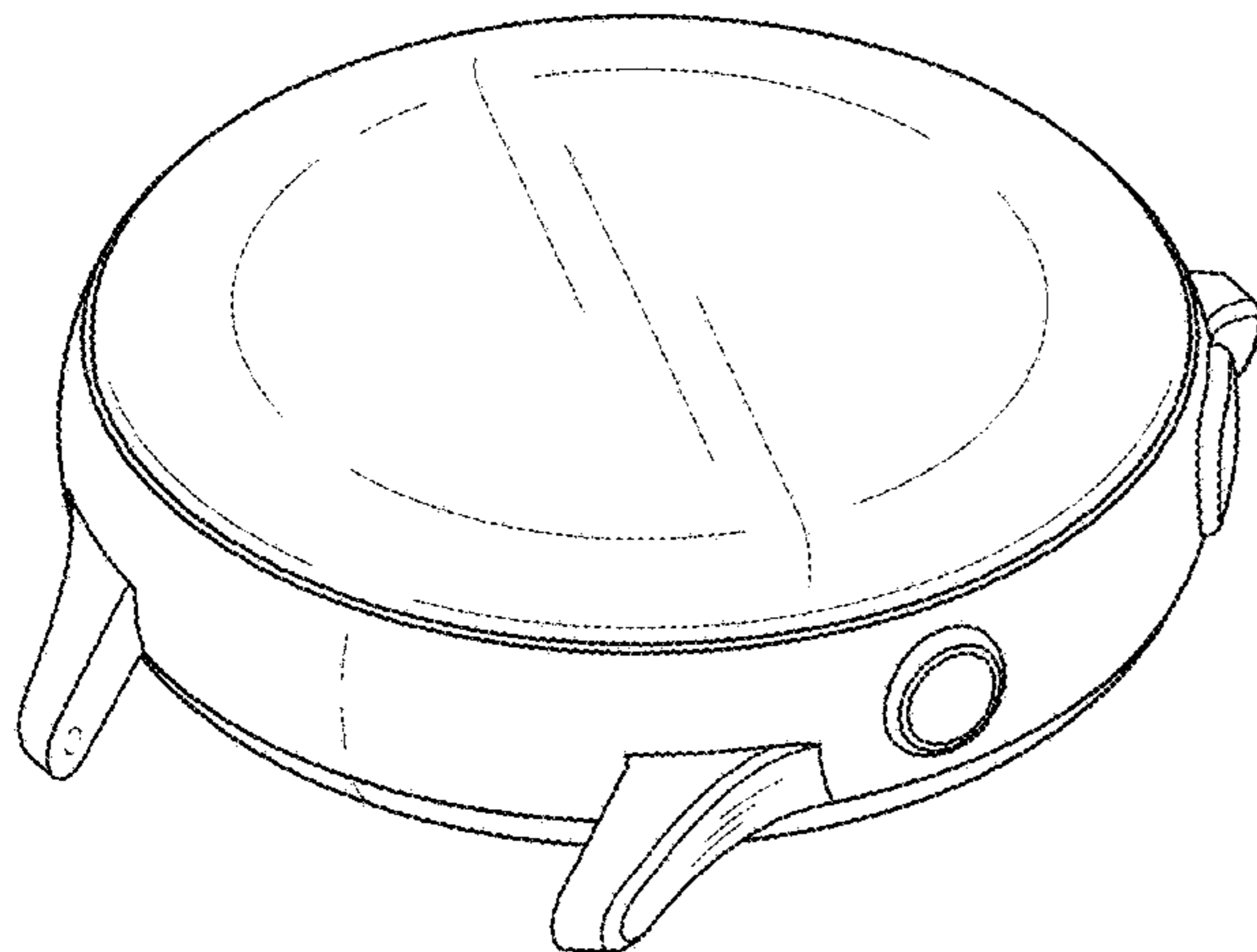
We claim the ornamental design for a smart watch body, as shown and described.

DESCRIPTION

FIG. 1 is a front perspective view of a first embodiment of a smart watch body showing our new design;
 FIG. 2 is a front view thereof;
 FIG. 3 is a rear view thereof;
 FIG. 4 is a left-side view thereof;
 FIG. 5 is a right-side view thereof;
 FIG. 6 is a top view thereof;
 FIG. 7 is a bottom view thereof;
 FIG. 8 is a rear perspective view thereof;
 FIG. 9 is a front perspective view of a second embodiment of a smart watch body showing our new design;
 FIG. 10 is a front view thereof;
 FIG. 11 is a rear view thereof;
 FIG. 12 is a left-side view thereof;
 FIG. 13 is a right-side view thereof;
 FIG. 14 is a top view thereof;
 FIG. 15 is a bottom view thereof; and,
 FIG. 16 is a rear perspective view thereof.

The broken lines in the figures depict portions of the smart watch body which form no part of the claimed design.

1 Claim, 10 Drawing Sheets



(58) **Field of Classification Search**

USPC ... D10/30-39, 40, 41, 46, 70, 79, 98, 106.5,
 D10/106.6, 106.92, 106.94, 114.6, 123,
 D10/125-128, 131; D11/1-4, 26, 40-41,
 D11/93, 94, 78.1, 79, 86; D24/167-169,
 D24/186-187, 164; D21/324-329
 CPC A41D 1/002; A41D 19/0034; G06F 1/08;
 G06F 1/10; G06F 1/14; G06F 1/1626;
 G06F 1/1628; G06F 1/163; G06F 1/1635;
 G06F 1/3203; G06F 1/1613; G06F
 2200/1633; G06F 3/0488; G06F 3/04886;
 G06F 3/044; G06F 3/0412; G06F 3/0416;
 G06Q 20/10; G06Q 20/12; G06Q 20/108;
 G06Q 20/145; H04B 1/3833; H04B
 1/385; H04B 1/3888; H04M 1/02; H04M
 1/03; H04M 1/04; H04M 1/05; H04M
 1/667; H04M 1/6058; Y02B 60/1217
 See application file for complete search history.

(56) **References Cited**

U.S. PATENT DOCUMENTS

D752,583 S * 3/2016 Solomon D14/344
 D767,566 S * 9/2016 Morgenroth D14/344

D773,944 S * 12/2016 Wang D10/70
 D815,090 S * 4/2018 Chan D14/344
 D823,137 S * 7/2018 Monachon D10/38
 D844,458 S * 4/2019 Lillquist D10/30
 D848,864 S * 5/2019 Mockler D10/30
 D851,504 S * 6/2019 Henne D10/30
 D858,312 S * 9/2019 Liu D10/30
 D881,875 S * 4/2020 Ke D14/344
 D889,458 S * 7/2020 Zheng D14/344
 D893,474 S * 8/2020 Chung D14/344
 D894,179 S * 8/2020 Chung D14/344
 D900,643 S * 11/2020 Barberis D10/38
 D900,645 S * 11/2020 Henne D10/38

OTHER PUBLICATIONS

Galaxy Watch Active2, samsung.com, [online], [site visited Feb. 5, 2021], Available from internet URL: <https://www.samsung.com/global/galaxy/galaxy-watch-active2/> (Year: 2021).*

Xiaomi Mi Watch Color Sports, first available Oct. 20, 2020, gsmarena.com, [online], [site visited Feb. 3, 2021], Available from internet URL: https://www.gsmarena.com/xiaomi_mi_watch_color_sports-10541.php (Year: 2020).*

* cited by examiner

FIG.1

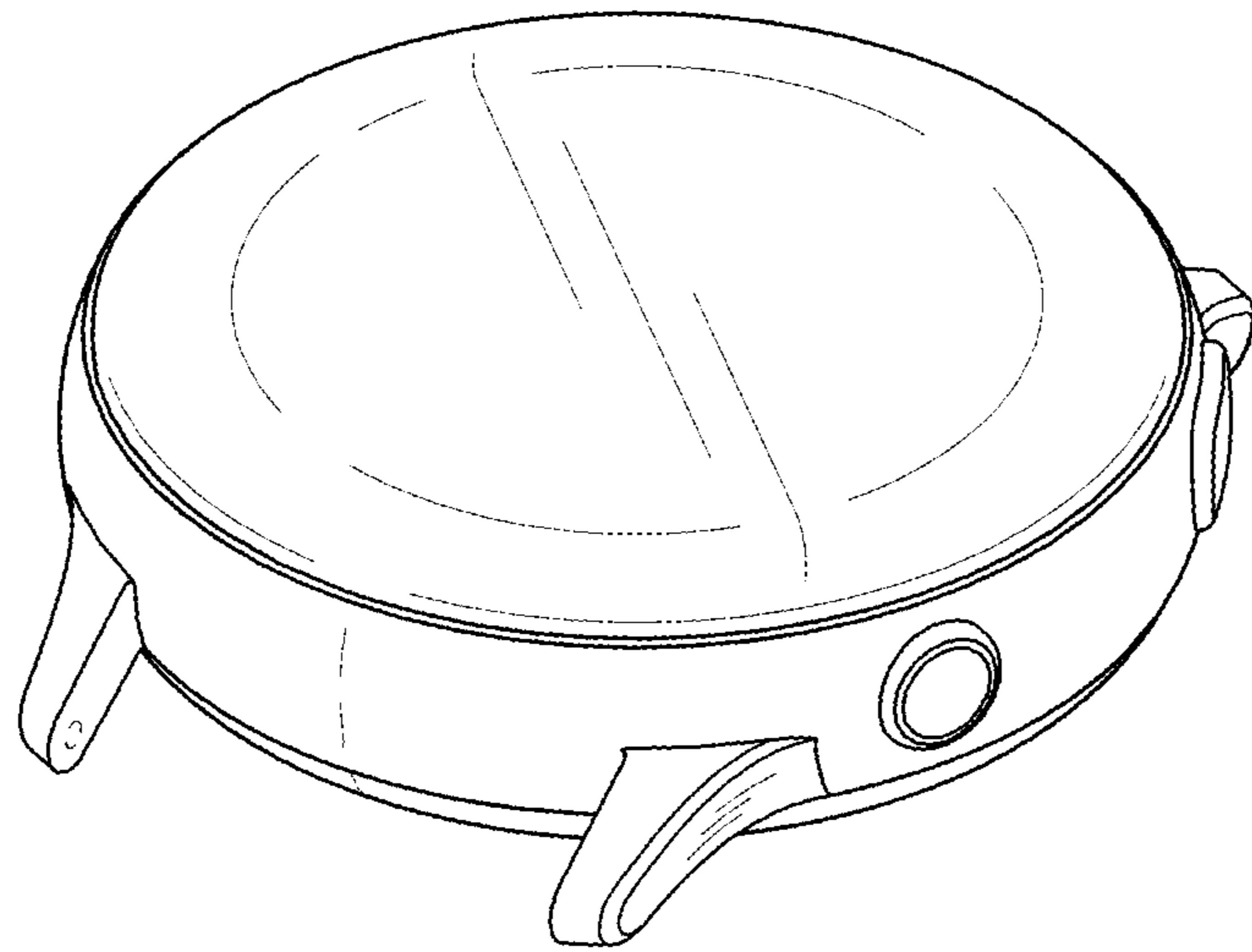


FIG.2

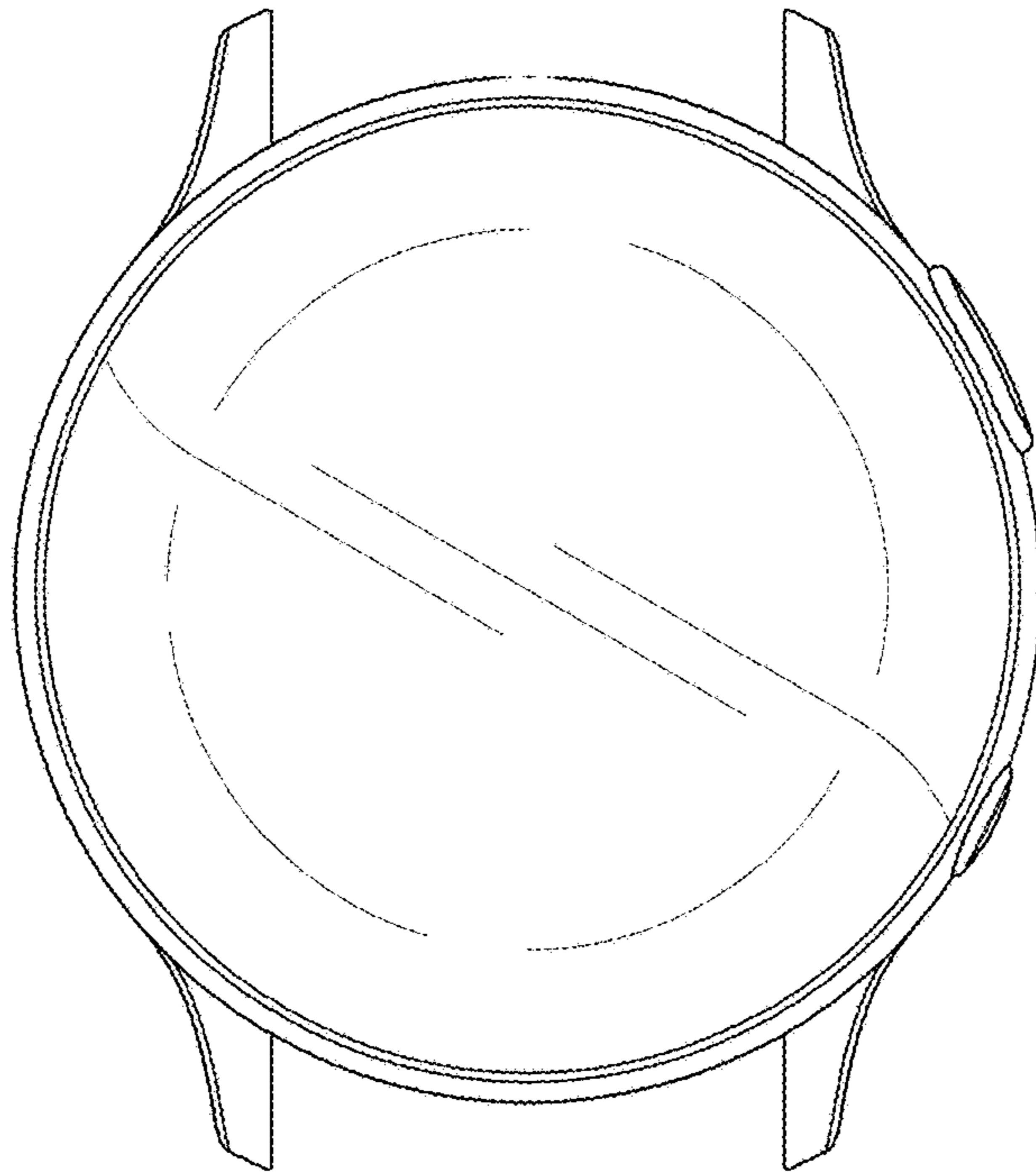


FIG.3

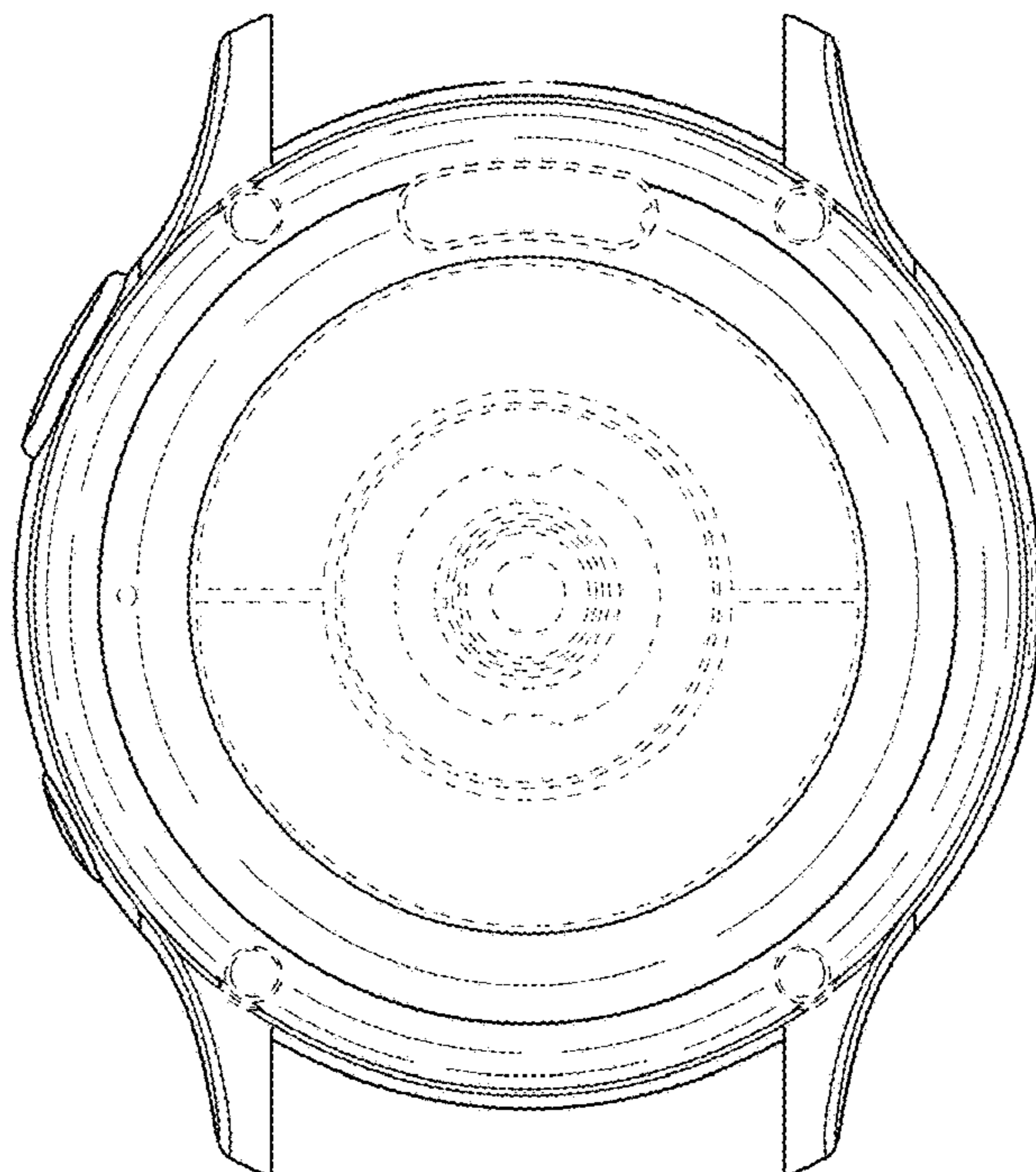


FIG.4

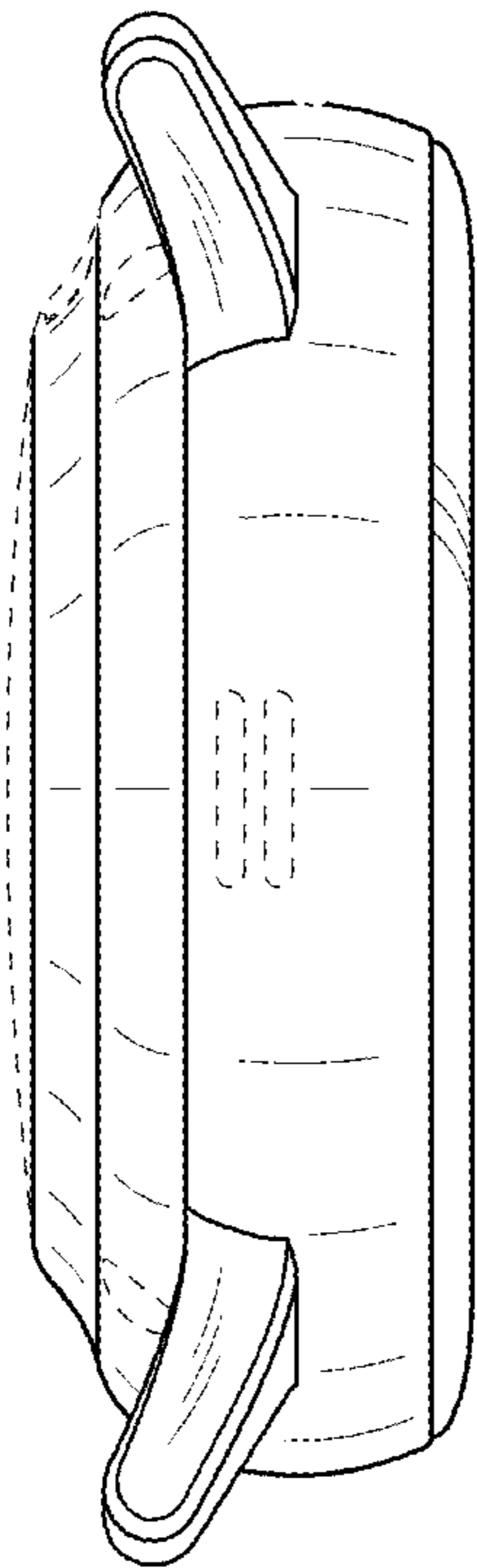


FIG.5

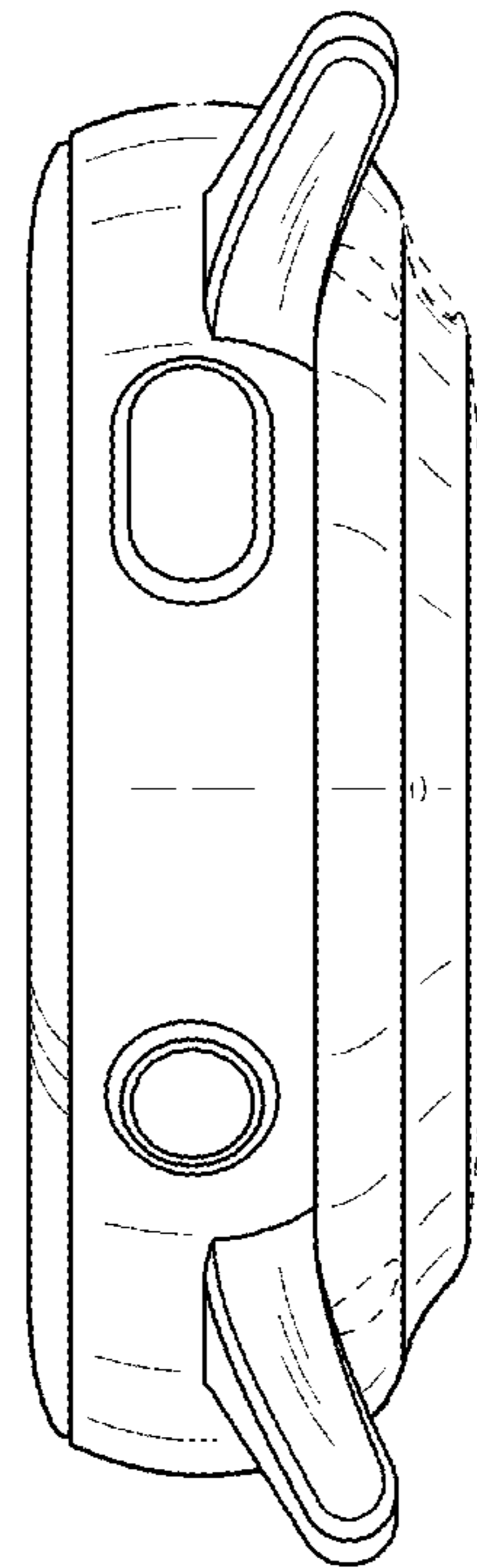


FIG.6

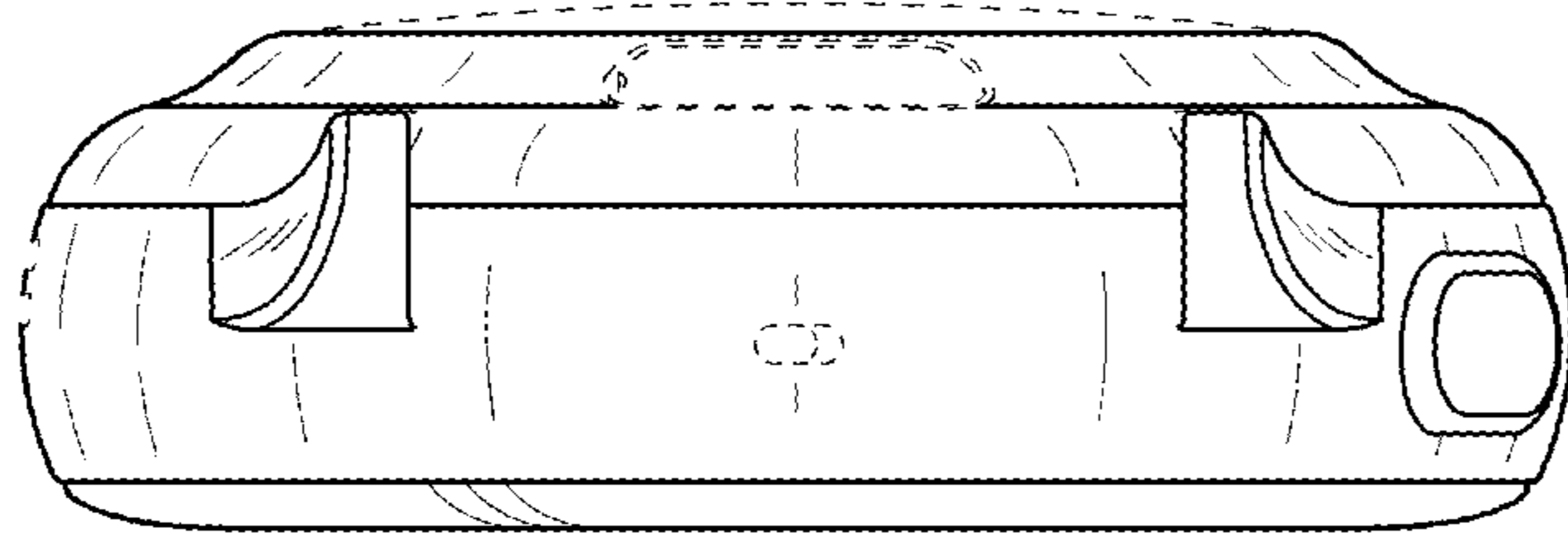


FIG.7

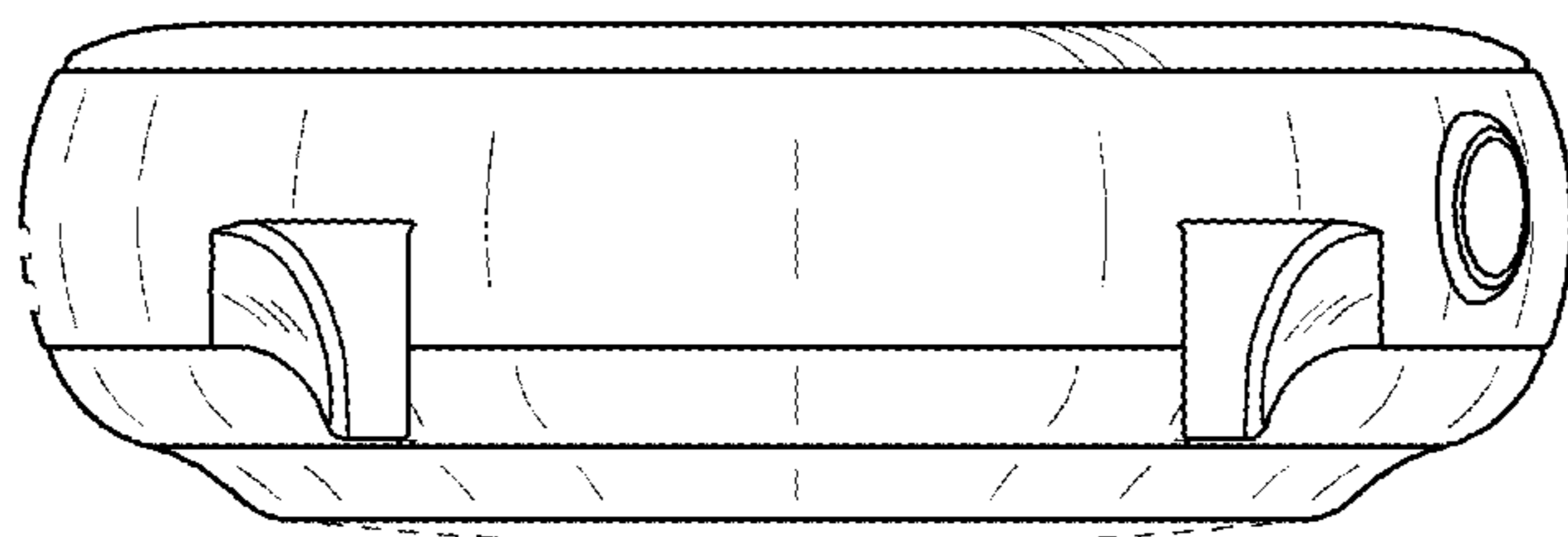


FIG.8

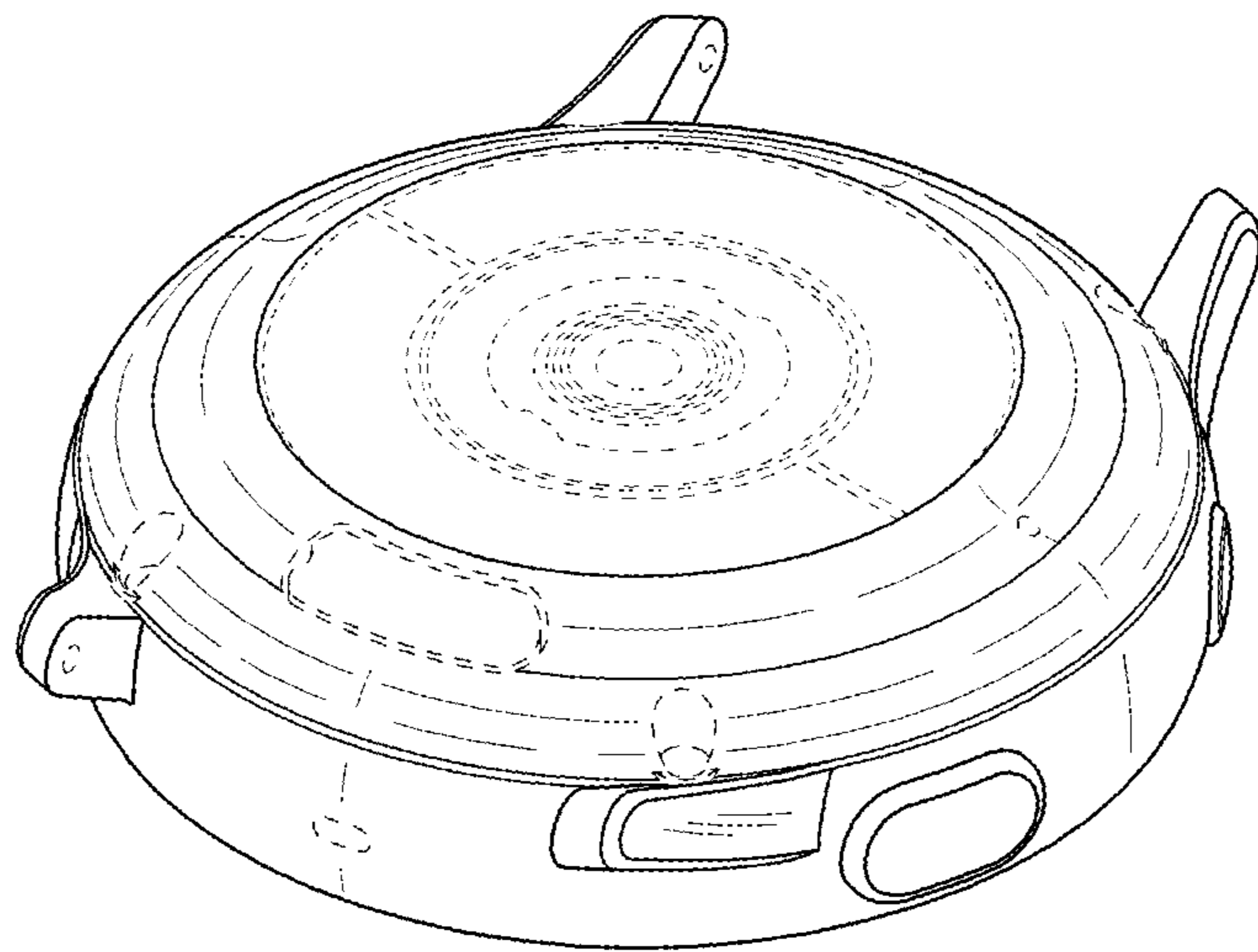


FIG.9

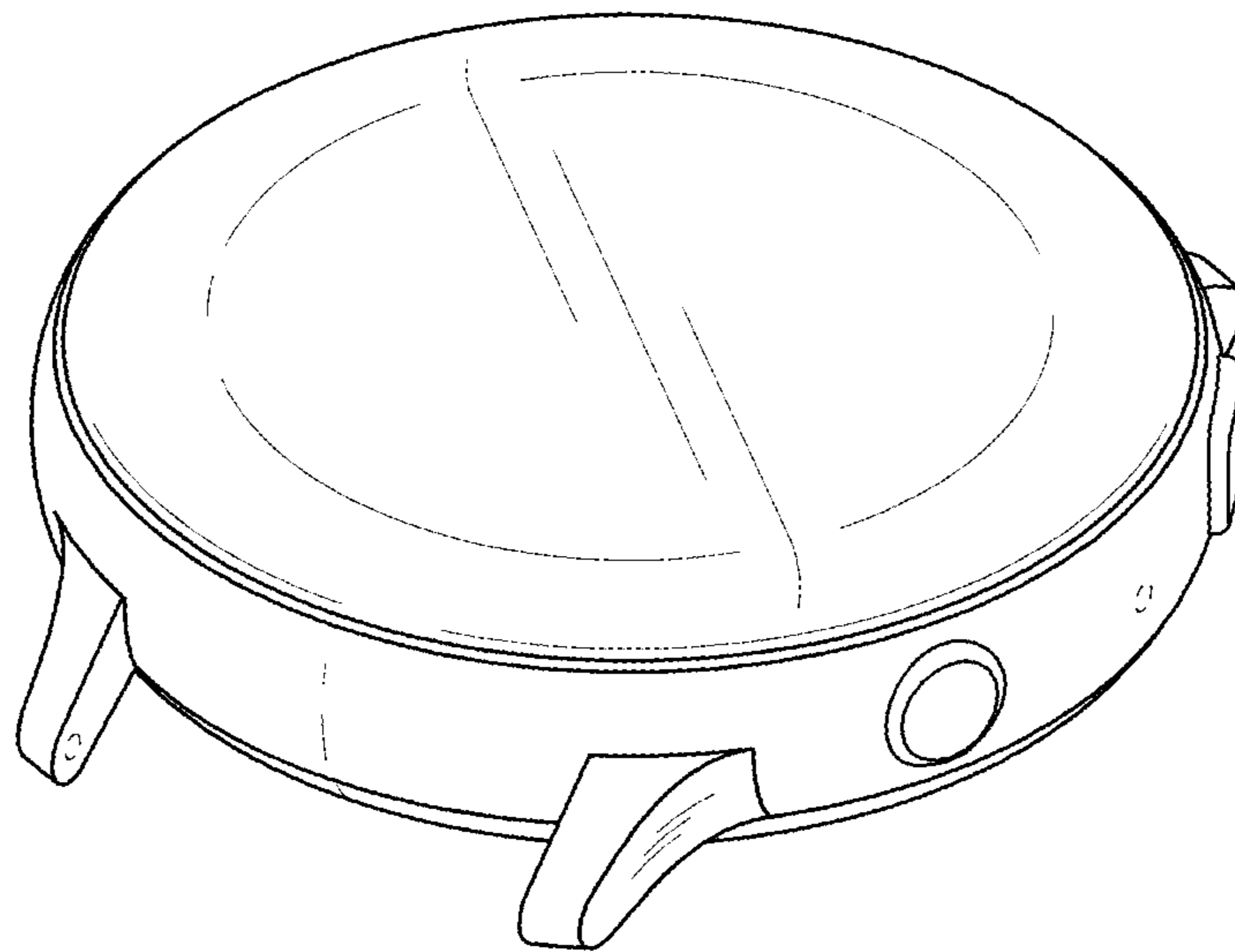


FIG.10

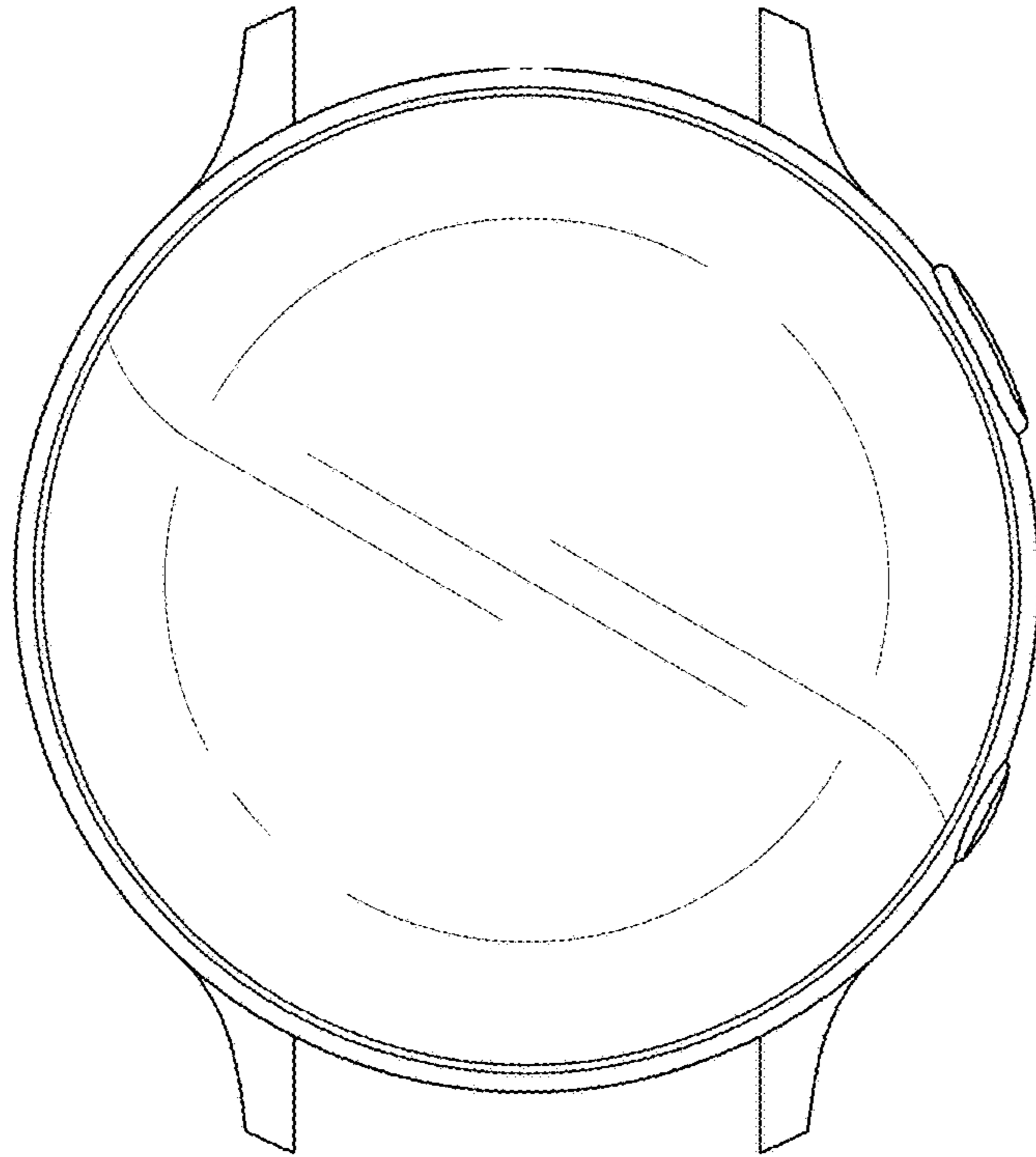


FIG.11

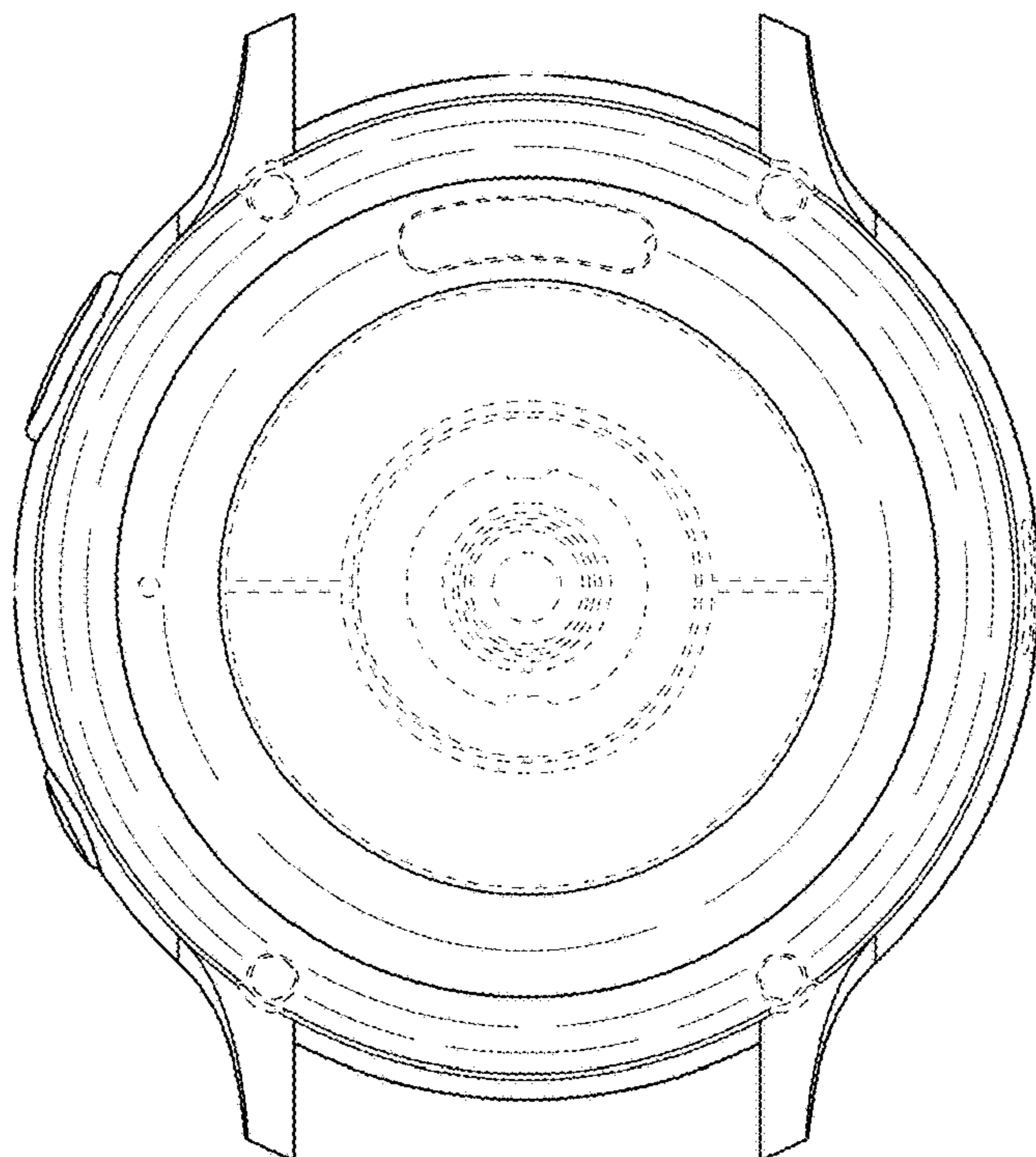


FIG.12

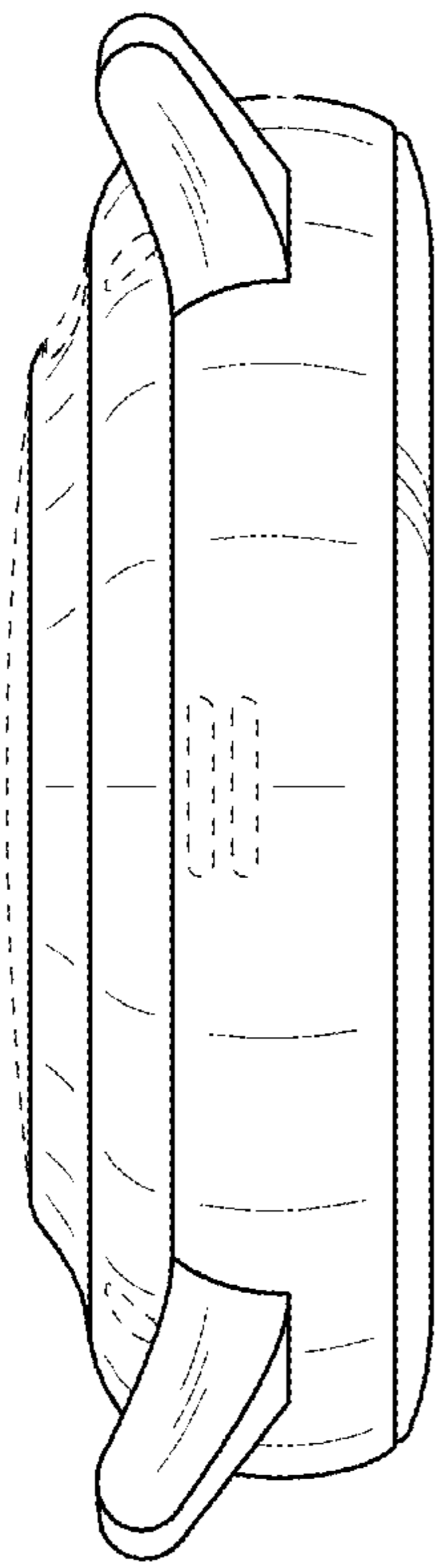


FIG.13

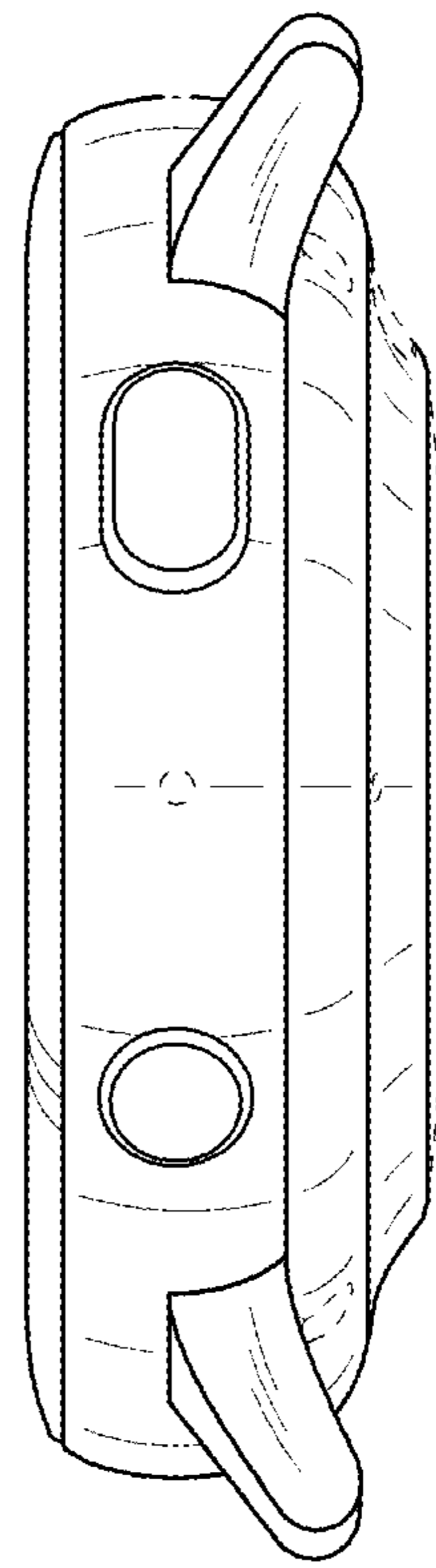


FIG.14

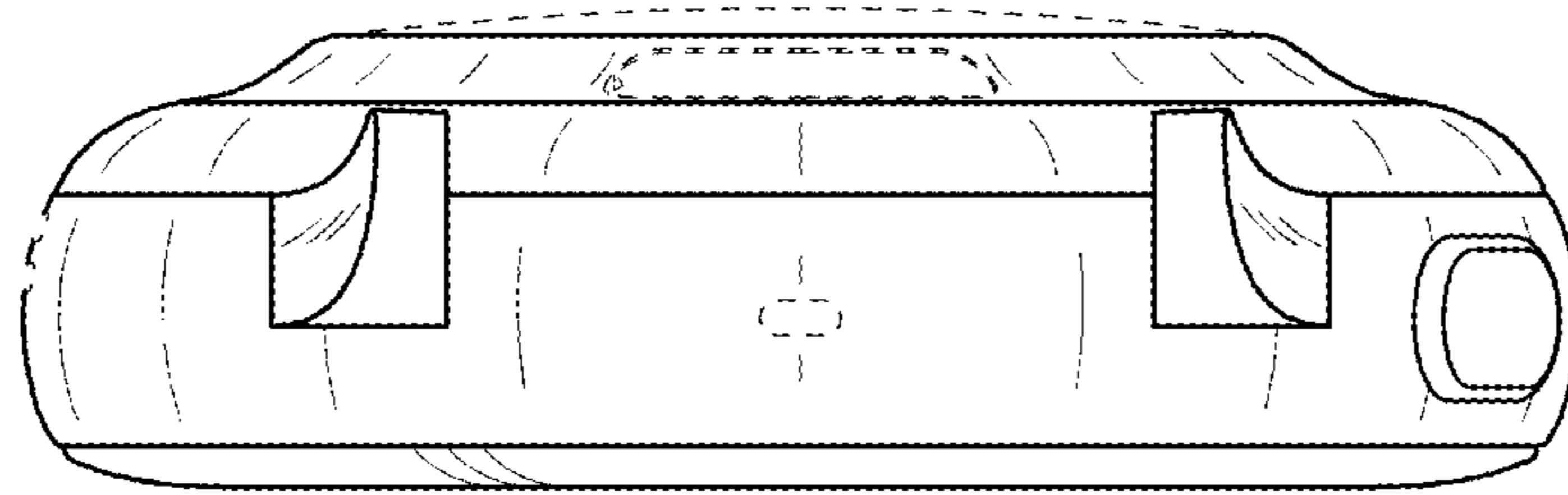


FIG.15

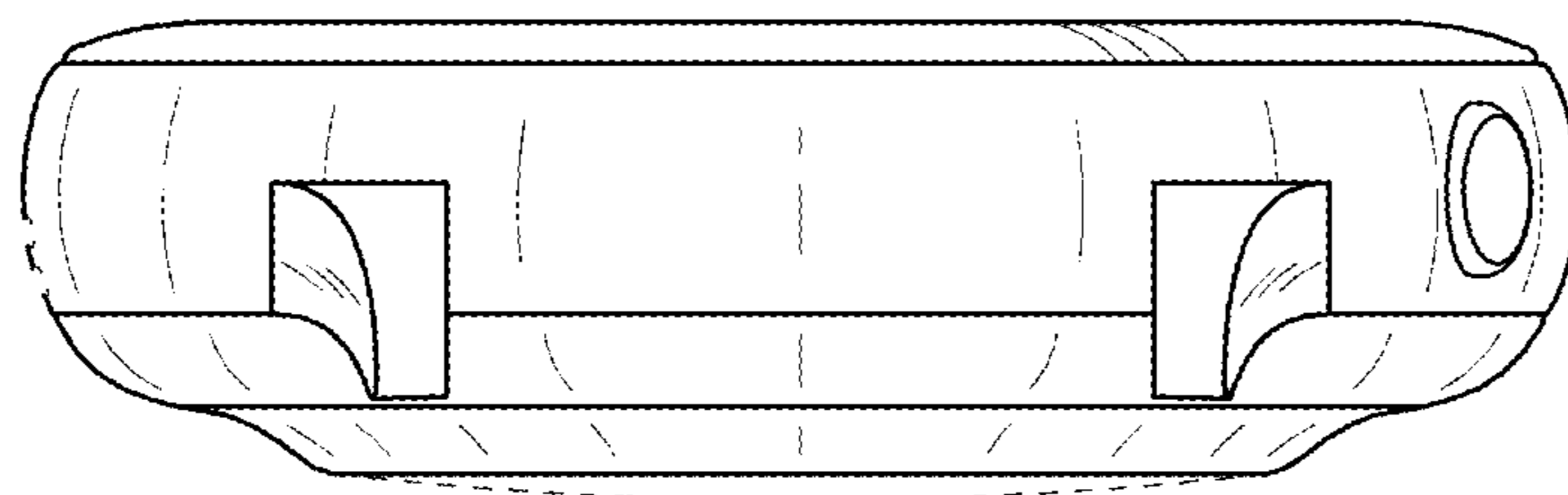


FIG.16

