



US00D922998S

(12) **United States Design Patent** (10) **Patent No.:** **US D922,998 S**  
**Fan et al.** (45) **Date of Patent:** **\*\* Jun. 22, 2021**

(54) **TABLET COMPUTER**

FOREIGN PATENT DOCUMENTS

(71) Applicant: **Lenovo (Beijing) Co., Ltd.**, Beijing (CN)

CN 3660208 S 6/2007  
CN 301167093 S 3/2010  
(Continued)

(72) Inventors: **Jianming Fan**, Beijing (CN); **Lijun Wang**, Beijing (CN)

OTHER PUBLICATIONS

(73) Assignee: **Lenovo (Beijing) Co., Ltd.**, Beijing (CN)

Lenovo Yoga Tablet 8 review, announced Oct. 30, 2013(online), (retrieved Nov. 27, 2018) Available from Internet, URL: <http://www.digitaltrends.com/table-reviews/lenovo-yoga-tablet-8-review/#/9> (Year:2013).

(\*\*) Term: **15 Years**

(Continued)

(21) Appl. No.: **29/699,039**

*Primary Examiner* — Dana K Weiland

(22) Filed: **Jul. 23, 2019**

(74) *Attorney, Agent, or Firm* — Oppedahl Patent Law Firm LLC

**Related U.S. Application Data**

(62) Division of application No. 29/579,625, filed on Sep. 30, 2016, now Pat. No. Des. 860,196, which is a (Continued)

(57) **CLAIM**

The ornamental design for a tablet computer, as shown and described.

(30) **Foreign Application Priority Data**

**DESCRIPTION**

Apr. 9, 2013 (CN) ..... 201330104790.4  
Sep. 2, 2013 (CN) ..... 201330424818.2

FIG. 1 is a front view of a tablet computer showing our new design in a first embodiment;  
FIG. 2 is a back view thereof;  
FIG. 3 is a partially enlarged view of a circled portion in FIG. 2;  
FIG. 4 is another partially enlarged view of a circled portion in FIG. 2;  
FIG. 5 is a top view of the tablet computer;  
FIG. 6 is a bottom view thereof;  
FIG. 7 is a right side view thereof;  
FIG. 8 is a left side view thereof;  
FIG. 9 is a partially enlarged view of a circled portion in FIG. 8;  
FIG. 10 is another partially enlarged view of a circled portion in FIG. 8;  
FIG. 11 is a front view of the tablet computer showing our new design in a second embodiment;  
FIG. 12 is a back view thereof;  
FIG. 13 is a partially enlarged view of a circled portion in FIG. 12;

(51) **LOC (13) Cl.** ..... **14-02**

(52) **U.S. Cl.**  
USPC ..... **D14/341**

(58) **Field of Classification Search**  
USPC ..... D14/341-347, 137, 138 R, 138 AA, D14/138 C, 138 G, 496, 203.1, 203.3,  
(Continued)

(56) **References Cited**

**U.S. PATENT DOCUMENTS**

4,326,727 A 4/1982 Rock  
D303,111 S 8/1989 Paley  
(Continued)

(Continued)

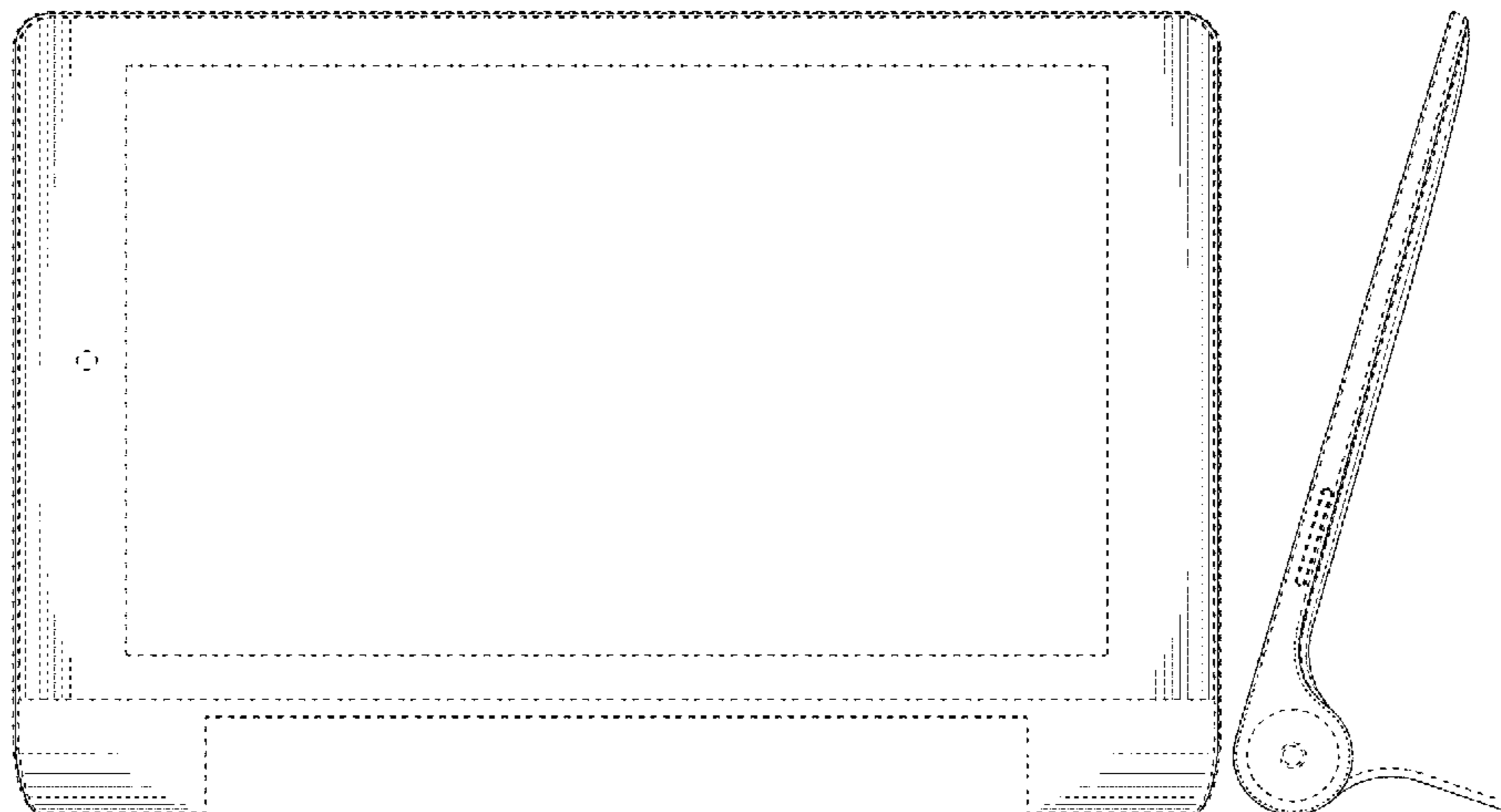


FIG. 14 is another partially enlarged view of a circled portion in FIG. 12;  
 FIG. 15 is a bottom view thereof;  
 FIG. 16 is a top view thereof;  
 FIG. 17 is a right side view thereof;  
 FIG. 18 is a left side view thereof;  
 FIG. 19 is a partially enlarged view of a circled portion in FIG. 18; and,  
 FIG. 20 is another partially enlarged view of a circled portion in FIG. 18.  
 The broken lines shown in the drawings depict portions of the tablet computer that form no part of the claimed design. The broken lines encircling portions of the claimed design that are illustrated in the enlargements form no part of the claimed design.

**1 Claim, 12 Drawing Sheets**

**Related U.S. Application Data**

division of application No. 29/469,332, filed on Oct. 9, 2013, now abandoned.

(58) **Field of Classification Search**

USPC ..... D14/203.4, 203.7, 129, 130, 147, 218, D14/247, 248, 250, 374, 385, 388, 389, D14/315–318, 420, 426, 439; D10/65, D10/104.1; D21/324, 329, 330, 332; 455/556.1, 556.2, 566, 575.1, 90.3; 379/433.04, 433.01, 433.06, 916; 345/173, 901, 905; 361/679.26, 679.27, 361/679.3, 679.55, 679.56; D6/308, 310; 463/37; 248/917–924; 348/376; D19/26, 59–60  
 CPC ..... G06F 1/1626; G06F 2200/1633; G06F 3/0488; G06F 3/04883; G06F 1/1616; G06F 1/1613; G06F 3/041  
 See application file for complete search history.

(56) **References Cited**

**U.S. PATENT DOCUMENTS**

D310,543 S	9/1990	Brown
D436,951 S	1/2001	Andresen
D483,361 S	12/2003	Yao
D506,767 S	6/2005	Imai
D530,732 S	10/2006	Tanaka
D566,181 S	4/2008	Gerules
D605,635 S	12/2009	Edahiro
D612,081 S	3/2010	Ding
D614,602 S	4/2010	Yoo
D624,539 S	9/2010	Tsai
D633,149 S	2/2011	Parshad
D643,842 S	8/2011	Marshall
D656,137 S	3/2012	Chung
D659,693 S	5/2012	Termeer
D664,144 S	7/2012	Akana
D667,404 S	9/2012	Akana
8,289,688 B2	10/2012	Behar
8,295,039 B2	10/2012	Cheng
D671,919 S	12/2012	Kim
8,379,382 B2	2/2013	Marshall
8,537,128 B2	9/2013	Uttermann
D690,692 S	10/2013	Shin
D691,132 S	10/2013	Sharma
D699,696 S	2/2014	Kim et al.
D703,133 S	4/2014	Ireland et al.
D707,211 S	6/2014	Ho et al.
D735,921 S	8/2015	Khayat et al.

9,125,289 B2	9/2015	Vahid
D743,485 S	11/2015	deBretton Gordon
9,244,496 B2	1/2016	Sharma et al.
D749,508 S	2/2016	Ireland et al.
9,329,636 B2	5/2016	Ning
D761,201 S	7/2016	Ireland et al.
D765,654 S	9/2016	Fan
D772,812 S *	11/2016	Choe ..... D13/108
D782,470 S	3/2017	Raken et al.
D782,471 S	3/2017	Nuk et al.
9,625,946 B2	4/2017	Lee et al.
D792,392 S	7/2017	Sharma et al.
D794,629 S	8/2017	Jiang
D797,721 S	9/2017	Fan
9,753,497 B2	9/2017	Tian et al.
D799,475 S	10/2017	Fan
D813,227 S	3/2018	Lin
D816,666 S	5/2018	Jiang
D823,303 S	7/2018	Jiang
D824,898 S	8/2018	Xu
D829,707 S *	10/2018	Tin ..... D14/315
D836,077 S	12/2018	Cho et al.
10,216,228 B2 *	2/2019	Zhang ..... G06F 1/166
10,238,206 B2	3/2019	Bocci
D844,601 S *	4/2019	Yamazaki ..... D14/345
D844,696 S *	4/2019	Yeruva ..... D18/4.5
10,254,797 B2 *	4/2019	Lee ..... G06F 1/1658
10,289,154 B2	5/2019	Behar et al.
D855,052 S *	7/2019	Jiang ..... D14/341
D860,196 S *	9/2019	Fan ..... D14/341
D860,197 S *	9/2019	Fan ..... D14/341
D873,818 S *	1/2020	Jiang ..... D14/341
D874,435 S	2/2020	Gan
10,684,743 B2 *	6/2020	Havoc Pennington ..... G06F 1/1684
D897,953 S	10/2020	Chen
D905,052 S	12/2020	Kim et al.
2006/0250767 A1	11/2006	Brophy
2007/0113440 A1	5/2007	Asvadi
2007/0241002 A1	10/2007	Wu
2008/0212271 A1	9/2008	Misawa
2012/0106047 A1	5/2012	Chu
2015/0055012 A1	2/2015	Zheng
2015/0055285 A1	2/2015	Zheng
2015/0378399 A1	12/2015	Grinstead
2016/0054756 A1	2/2016	Lan et al.
2016/0077550 A1	3/2016	Zhang et al.
2016/0191876 A1	6/2016	Zhang
2016/0266478 A1	9/2016	Jiang

**FOREIGN PATENT DOCUMENTS**

CN	301216847 S	5/2010
CN	301271732 S	6/2010
CN	301347956 S	9/2010
CN	301605140 S	7/2011
CN	302063759 S	9/2012
CN	302190209 S	11/2012
JP	D2012-15691 S	3/2013
KR	3020120041604 S	2/2013
KR	3020120060488 S	3/2013

**OTHER PUBLICATIONS**

Apple Magic Trackpad, announced Jul. 27, 2010(online), (retrieved Dec. 10, 2018) Available from Internet, URL: <<http://www.amazon.com/apple-trackpad-compatible-desktop-computer/dp/B003XIU3MW>>(Year: 2010).  
 Lenovo Yoga Tablet 8 review, announced Mar. 24, 2014(online), (retrieved Dec. 10, 2018) Available from Internet, URL: <<http://gadgets.ndtv.com/tablets/reviews/lenovo-yoga-tablet-8-review-499206>> (Year:2014).  
 Notice of Allowance of the U.S. Appl. No. 29/699,174, dated Dec. 30, 2020.

\* cited by examiner

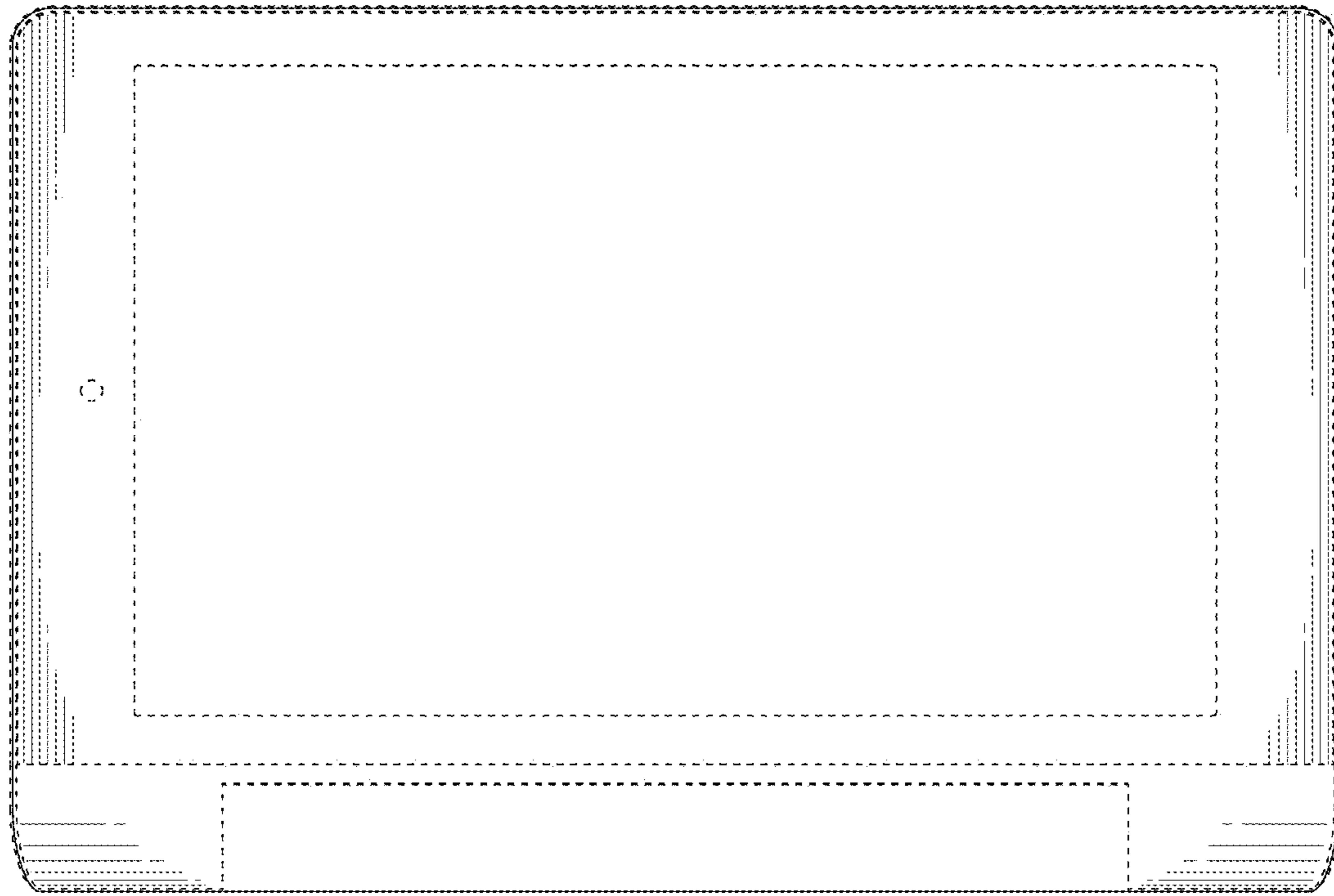


FIG. 1

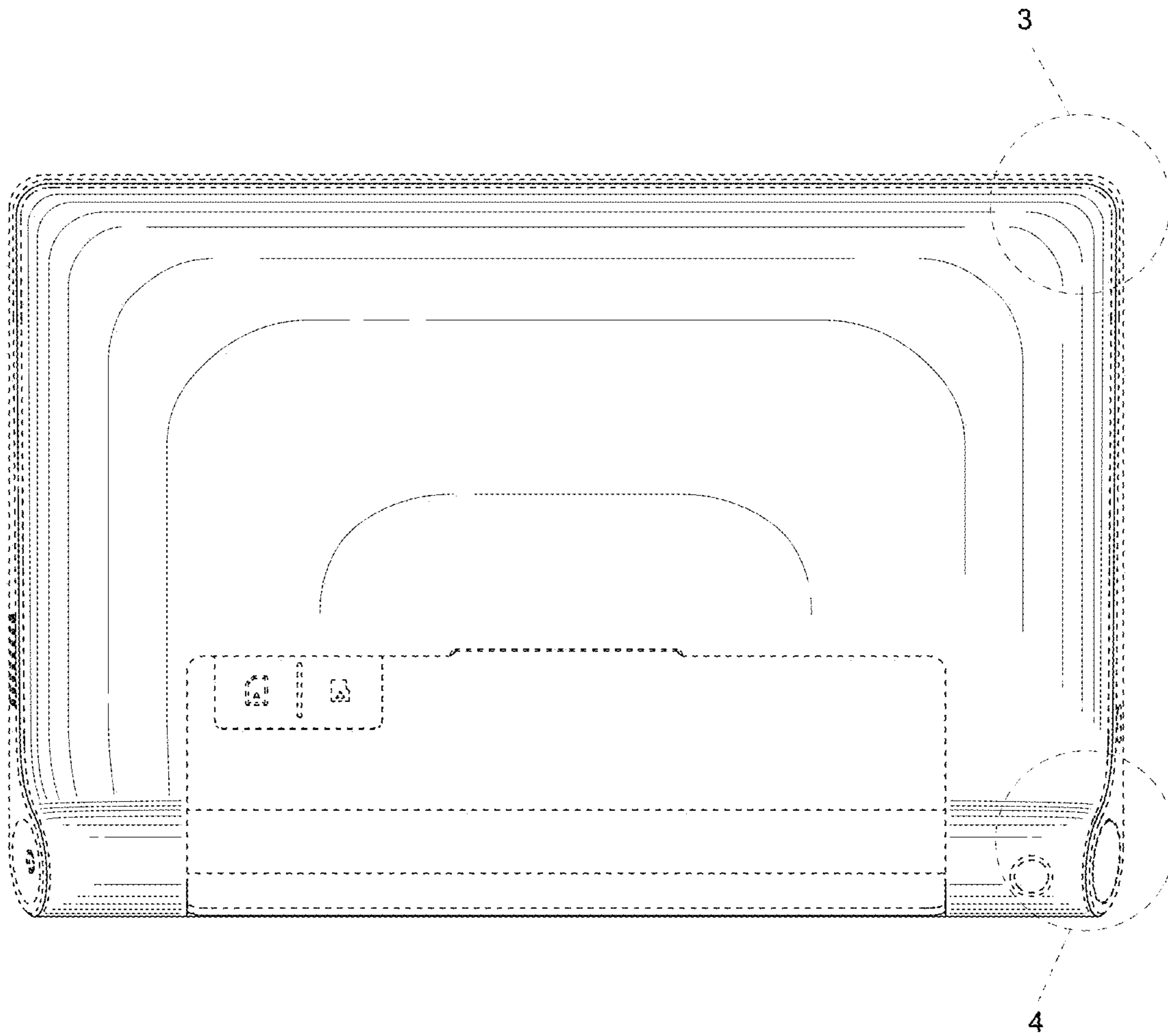


FIG. 2

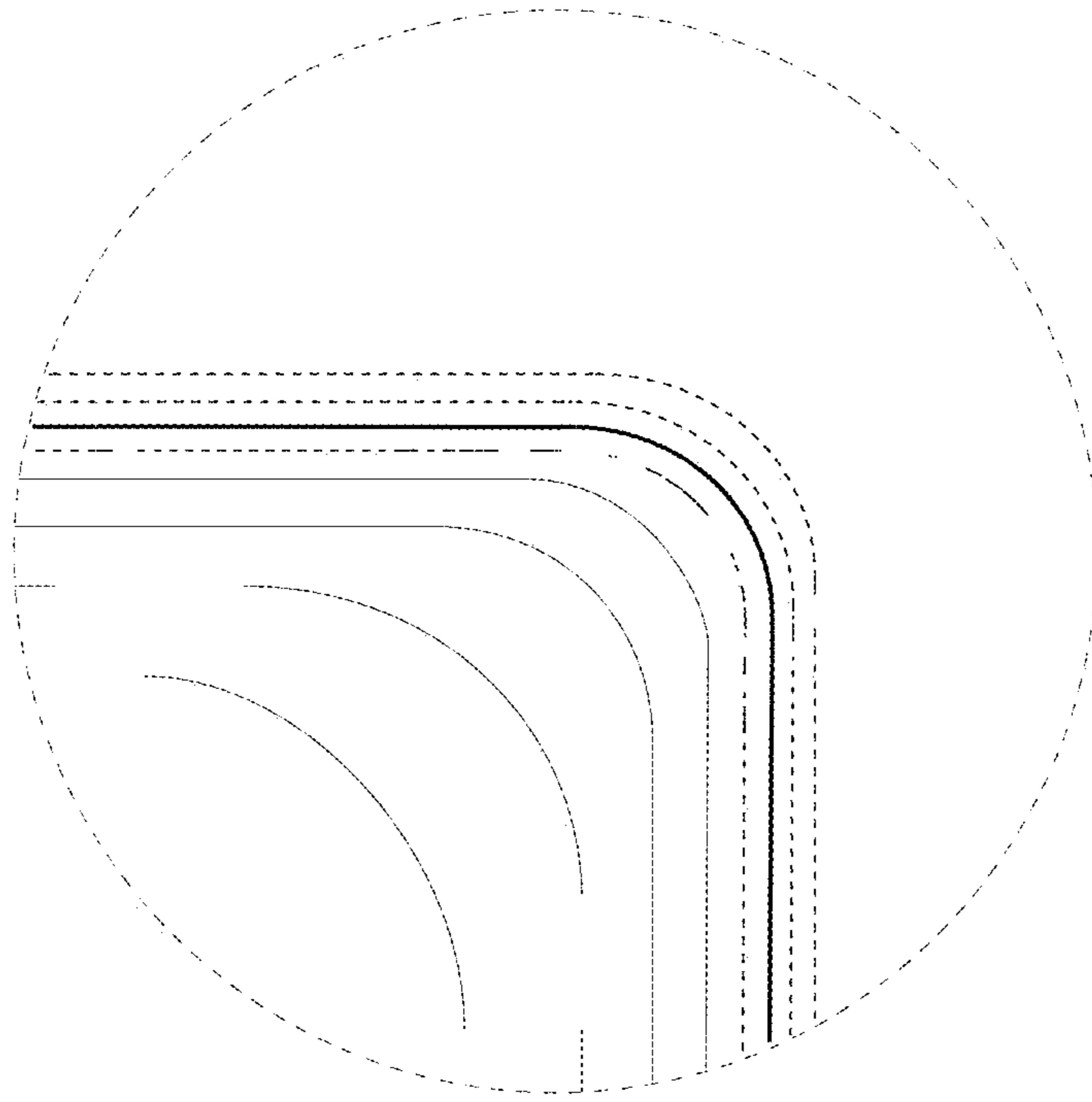


FIG.3

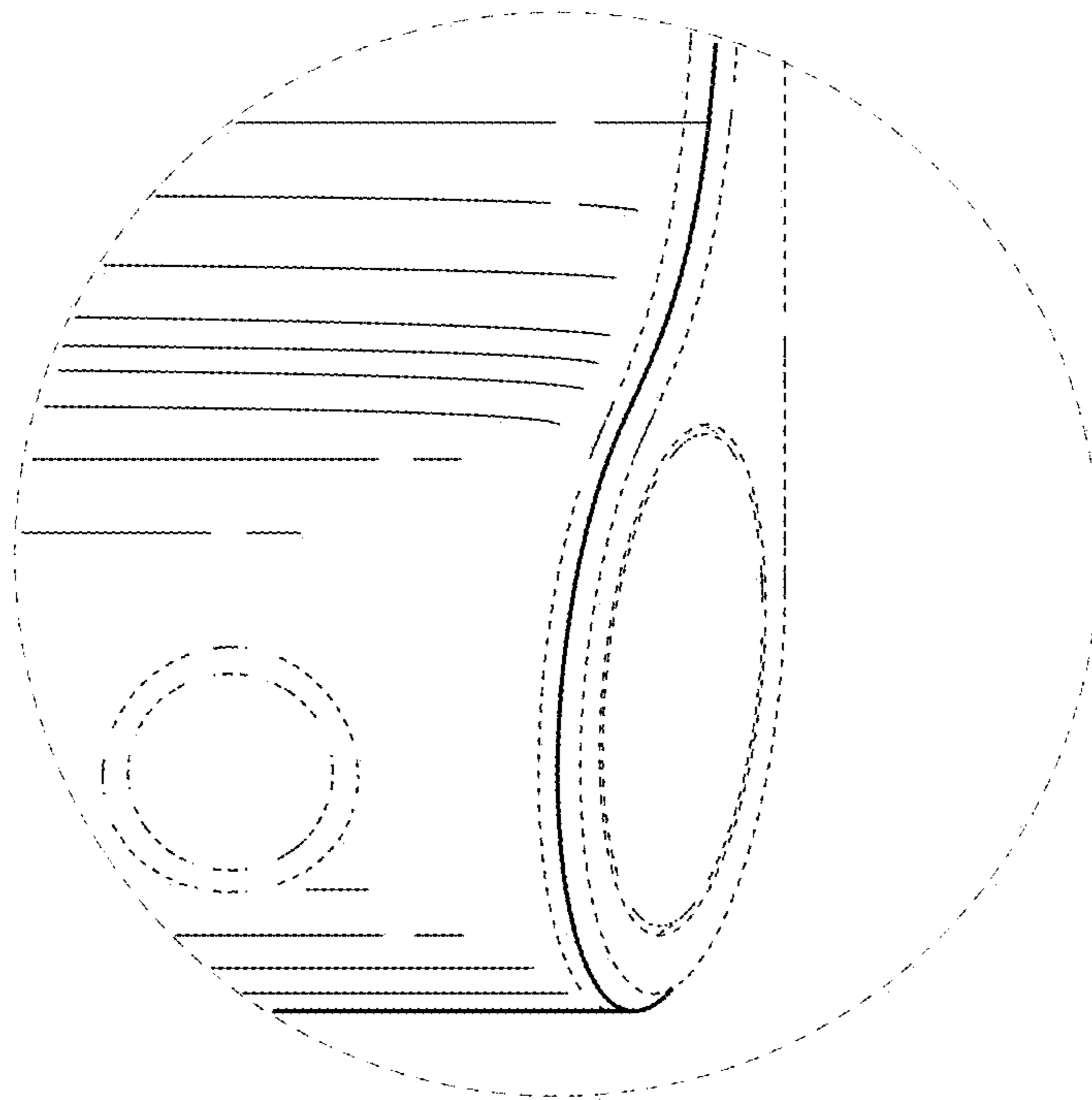


FIG.4

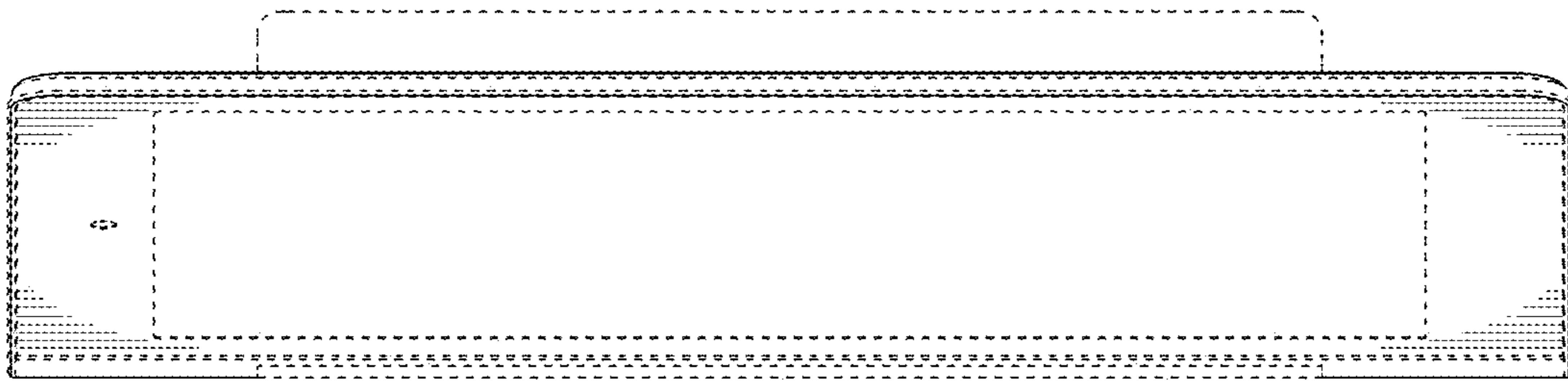


FIG.5

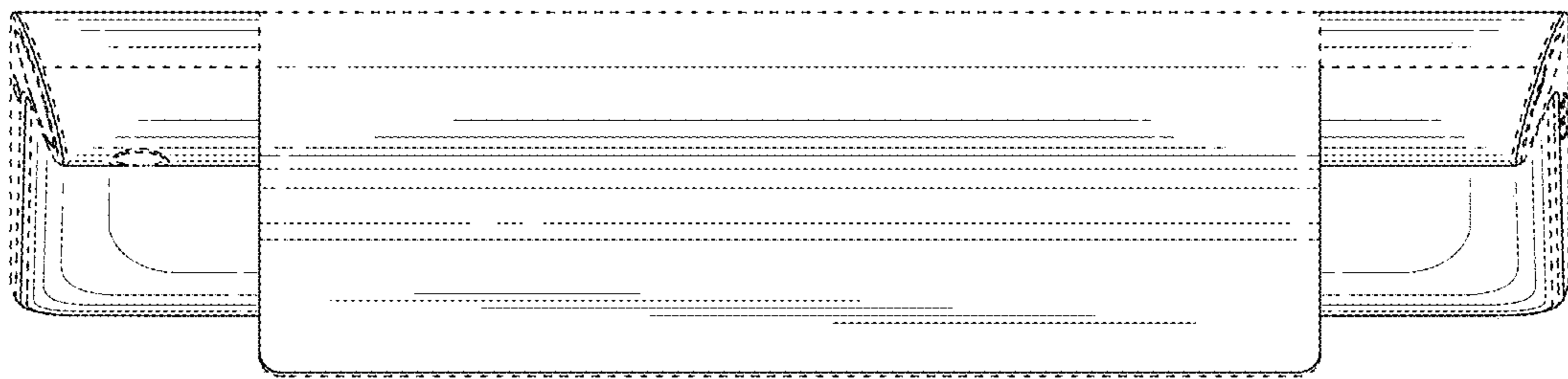


FIG.6

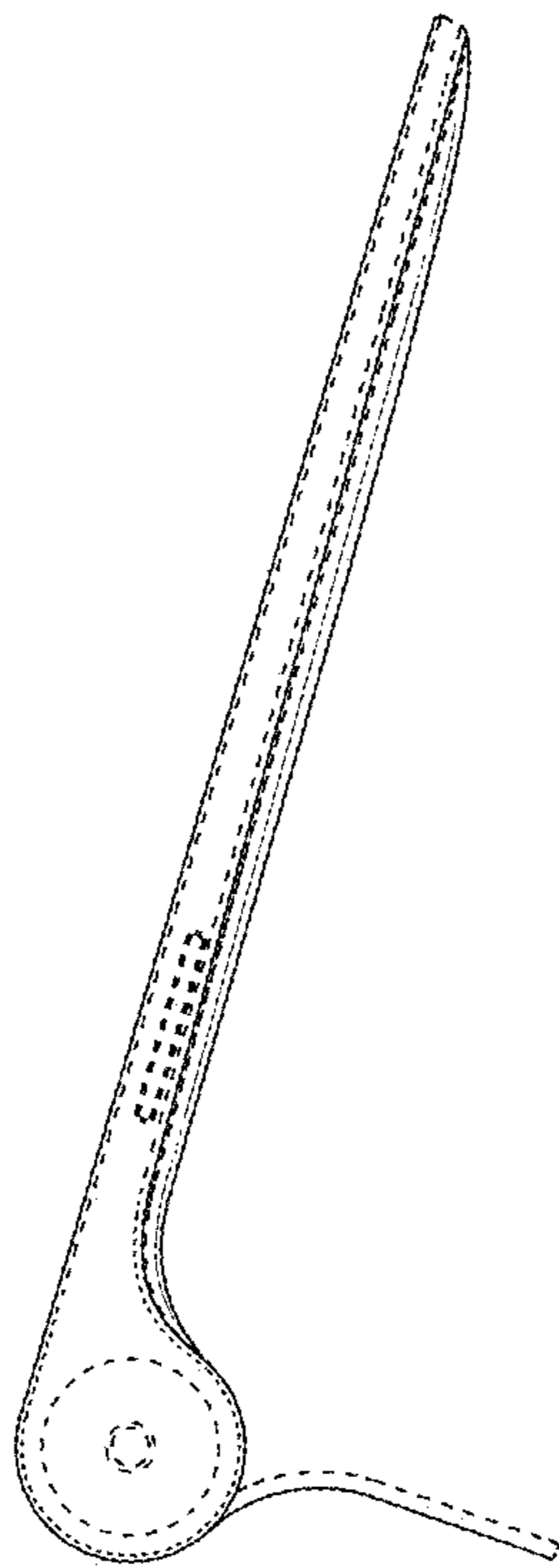


FIG. 7

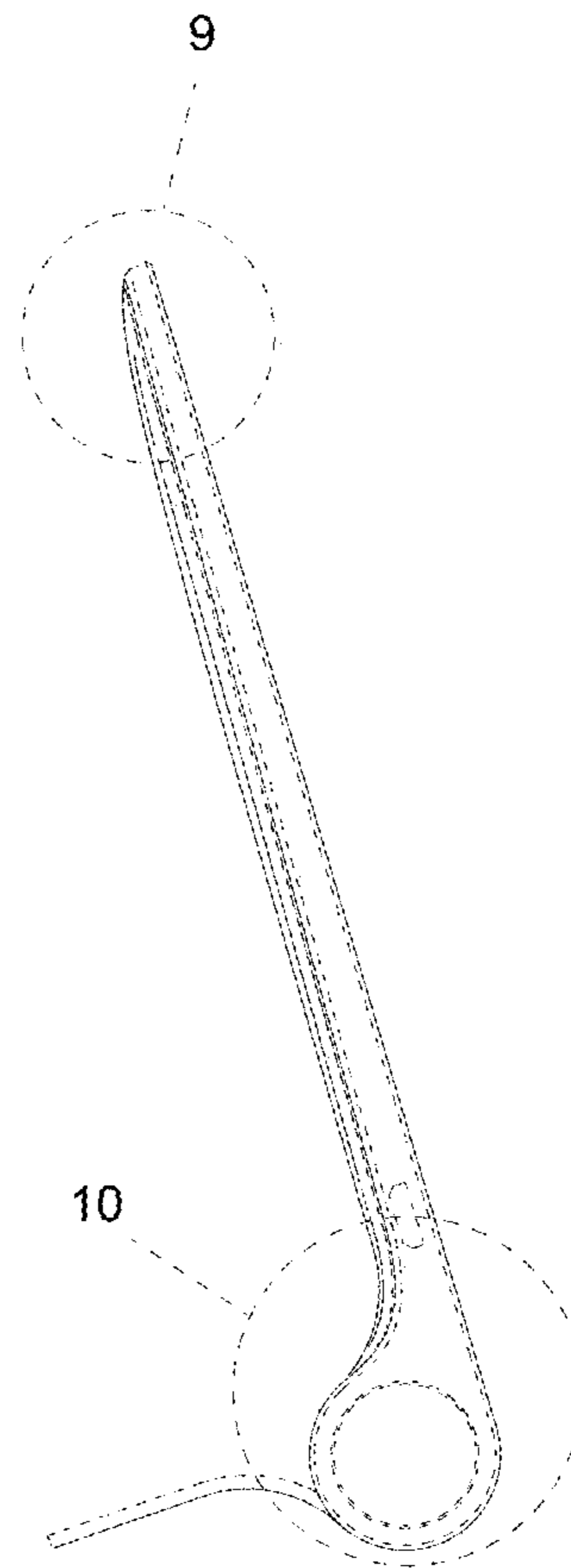


FIG. 8

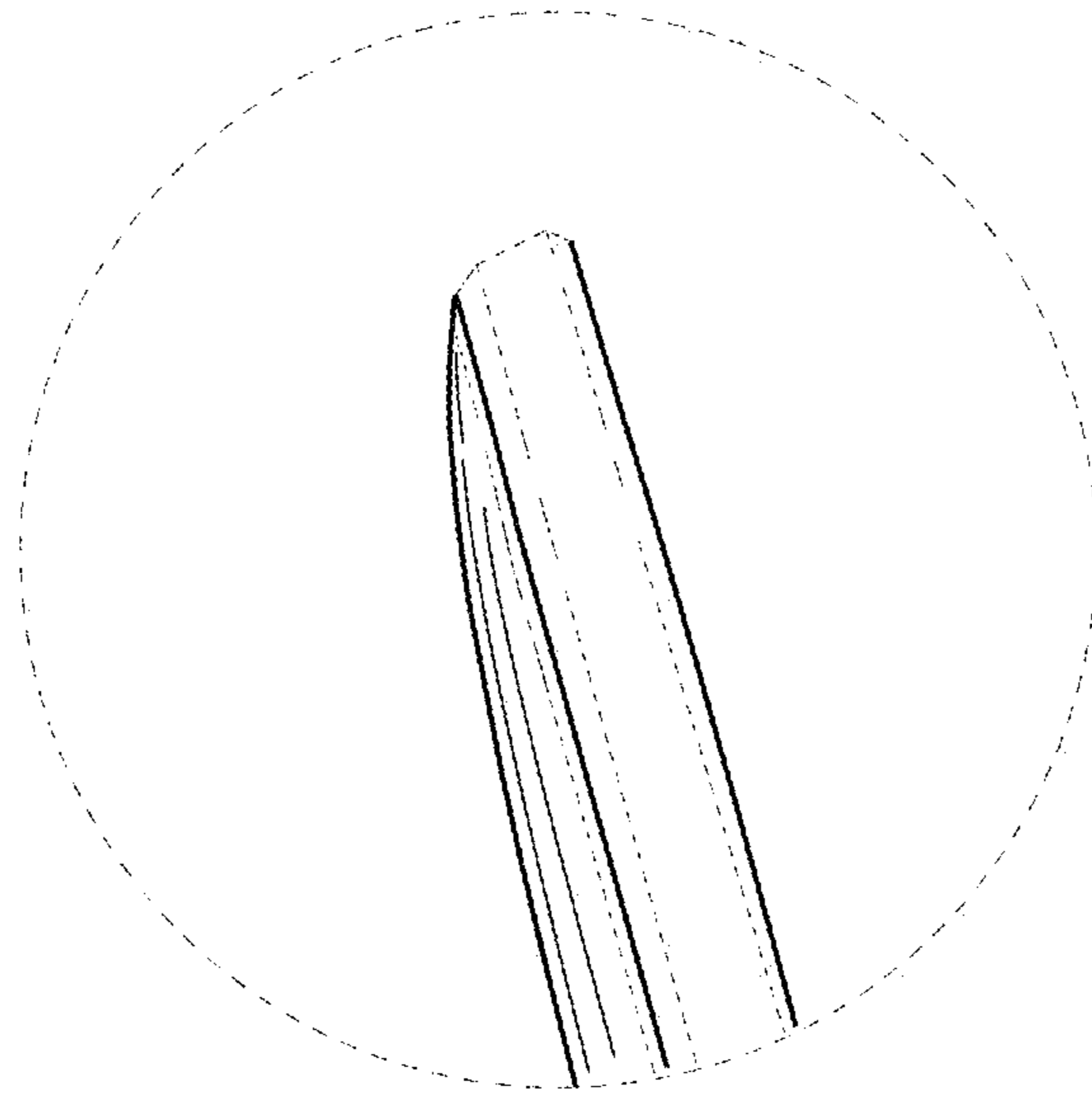


FIG.9

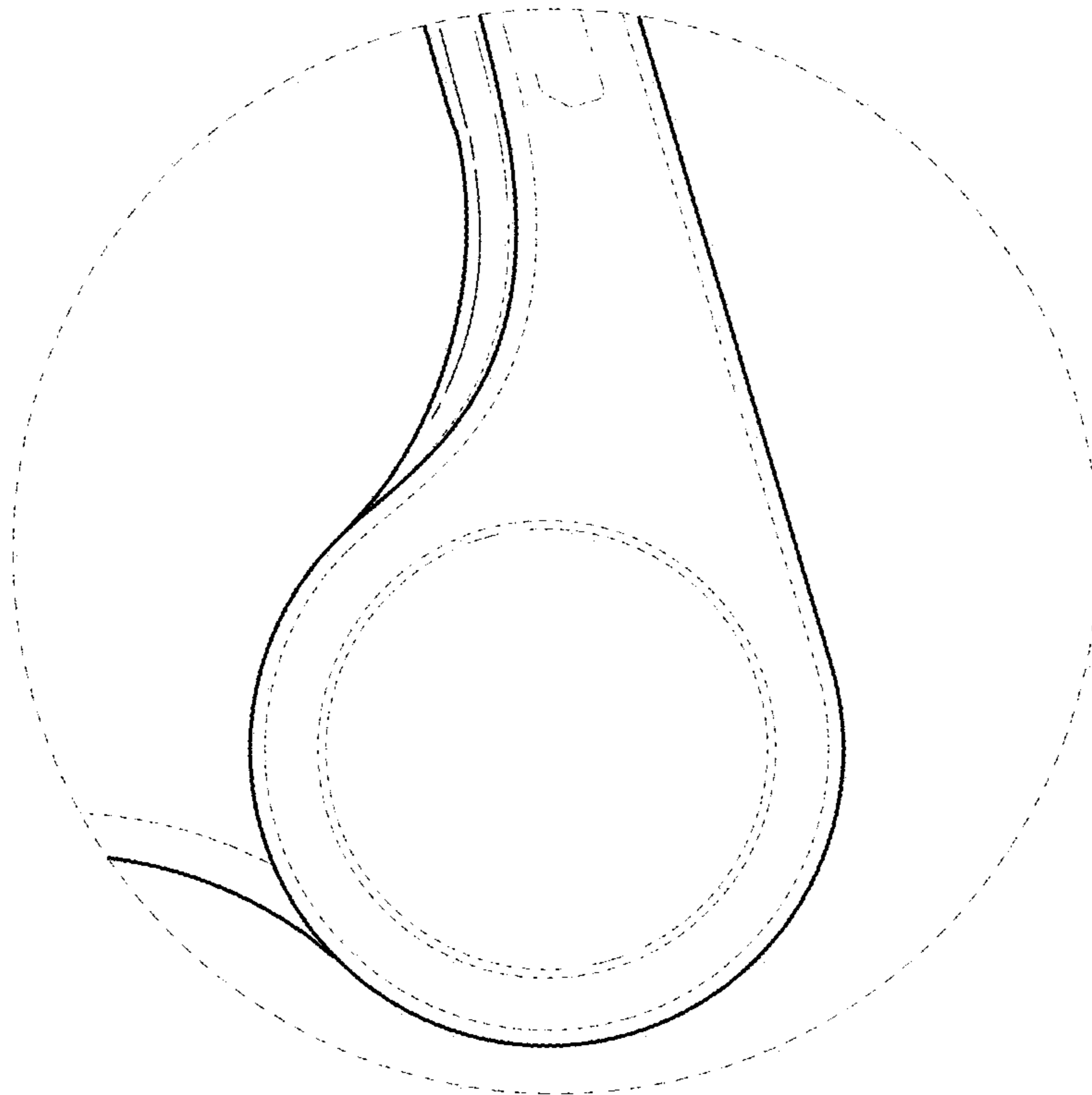


FIG.10



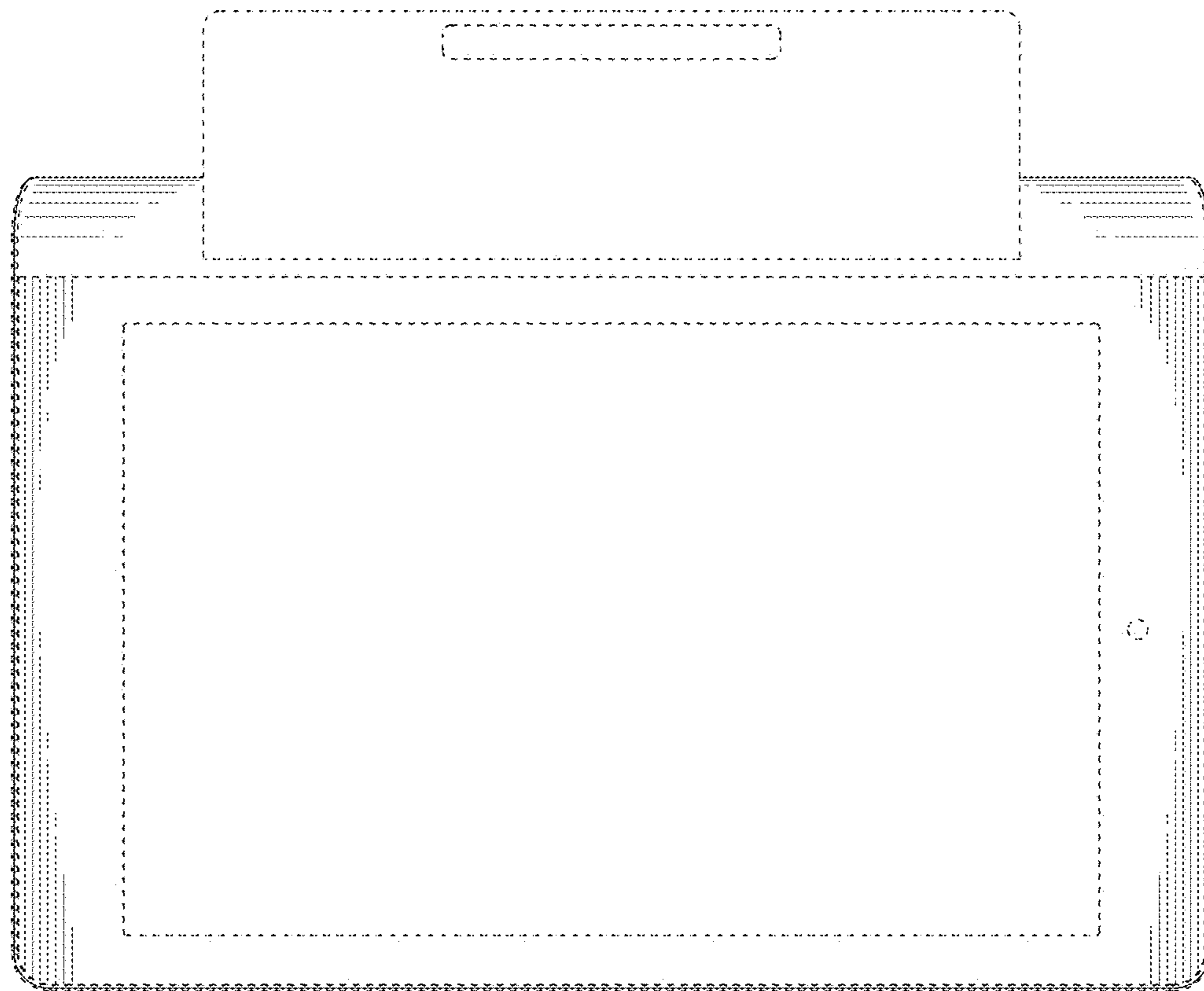


FIG. 11

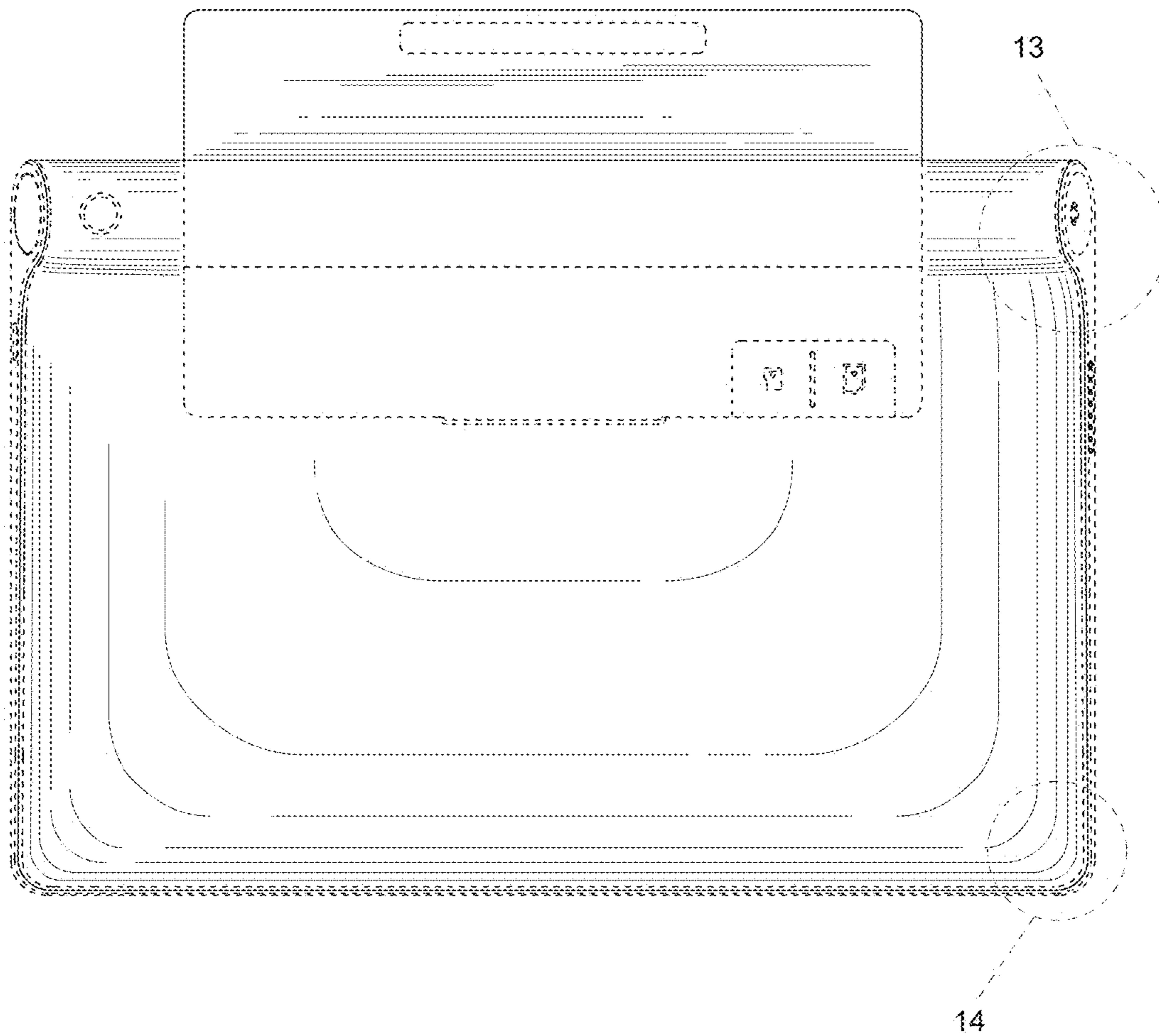


FIG.12

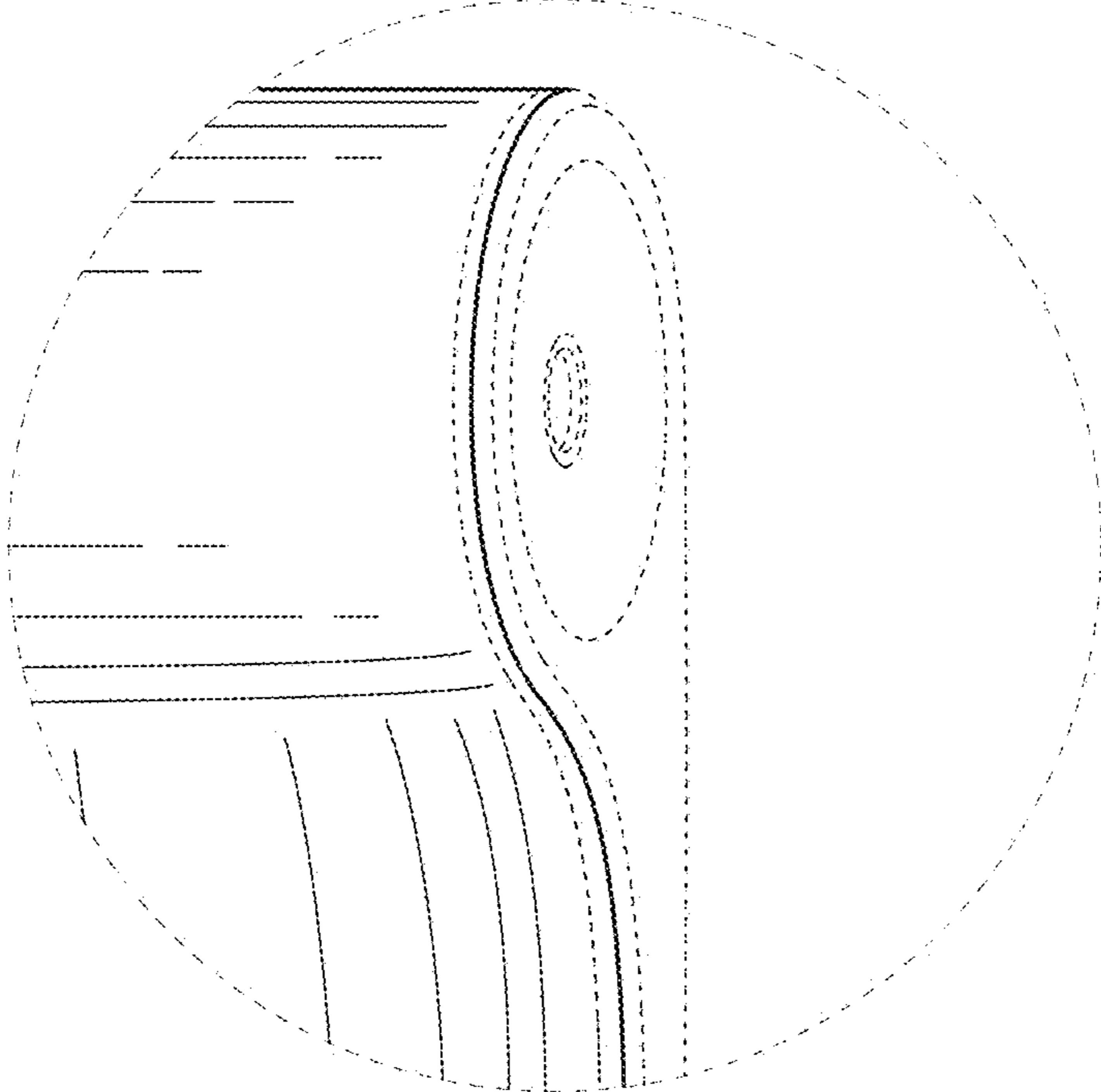


FIG.13

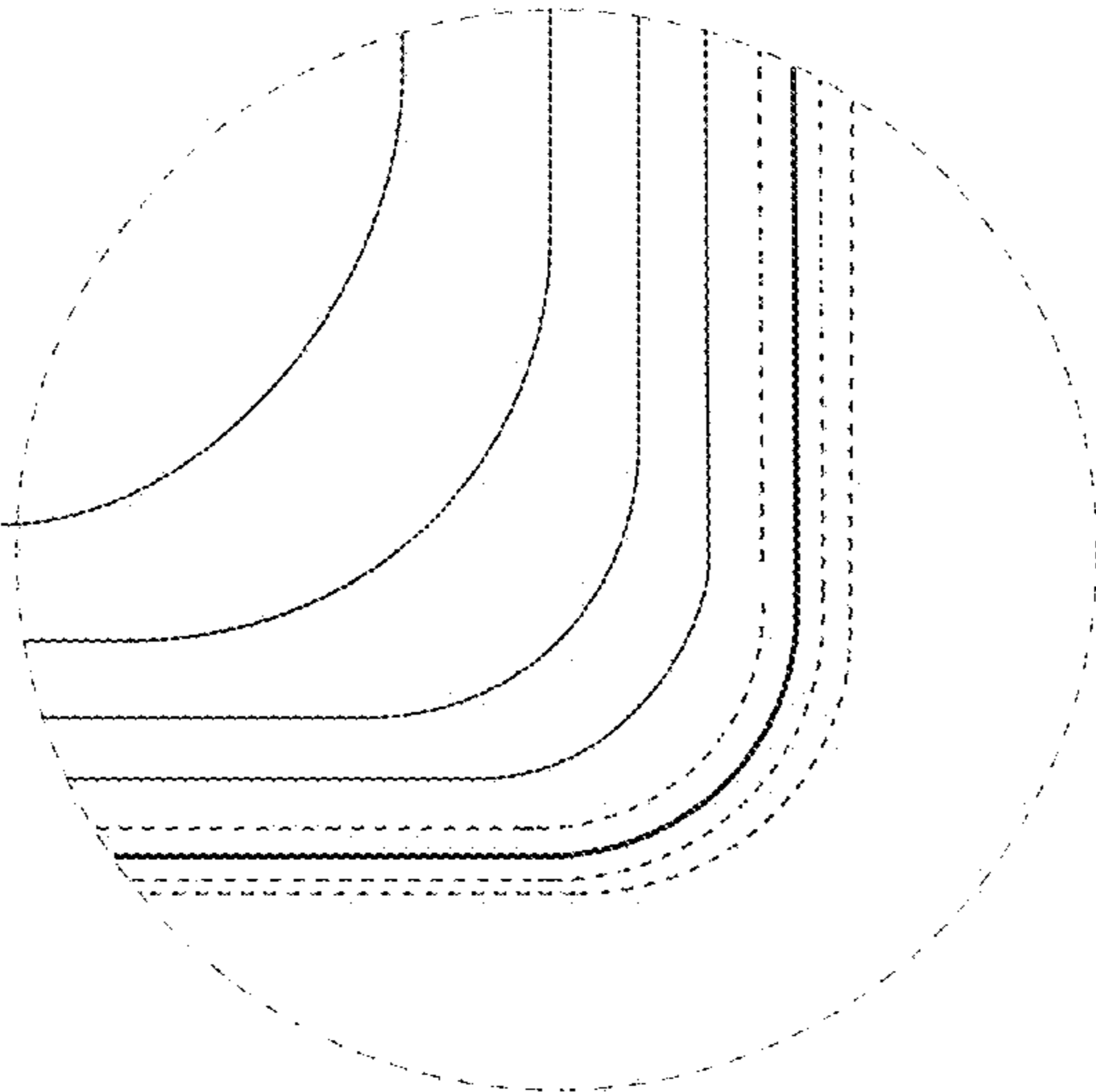


FIG.14

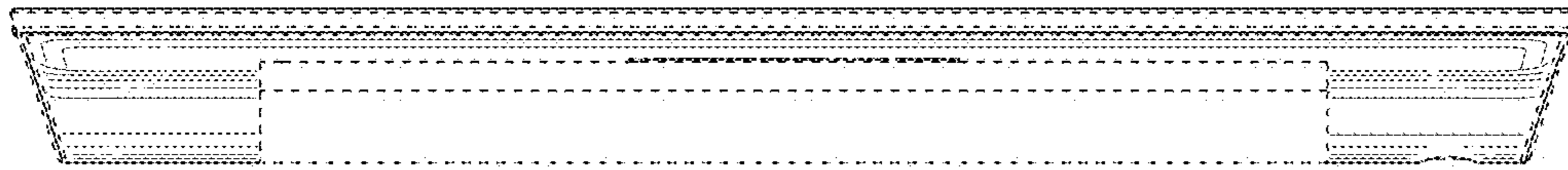


FIG.15

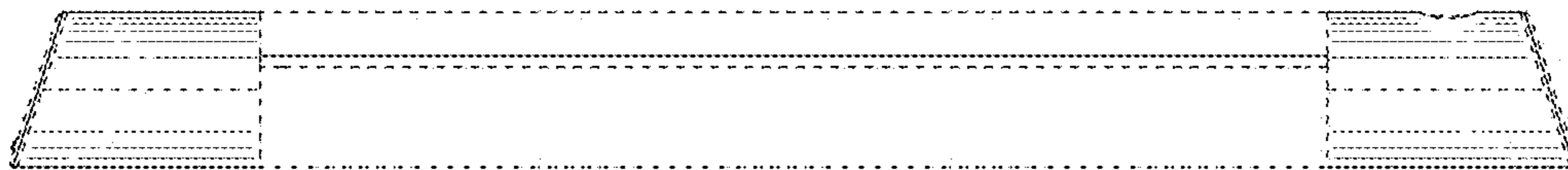


FIG.16

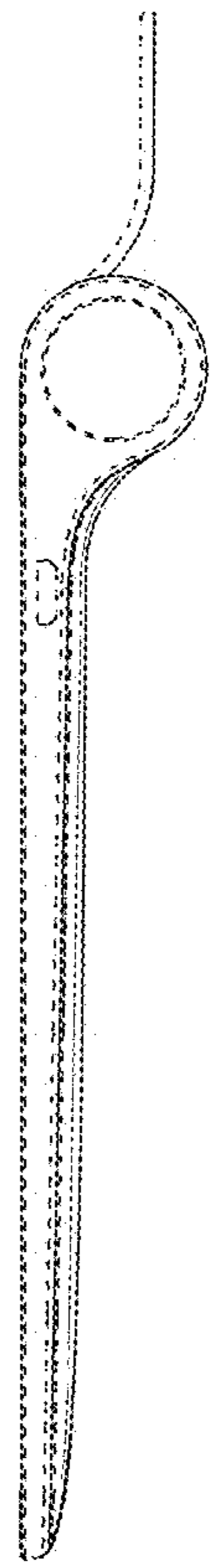


FIG.17

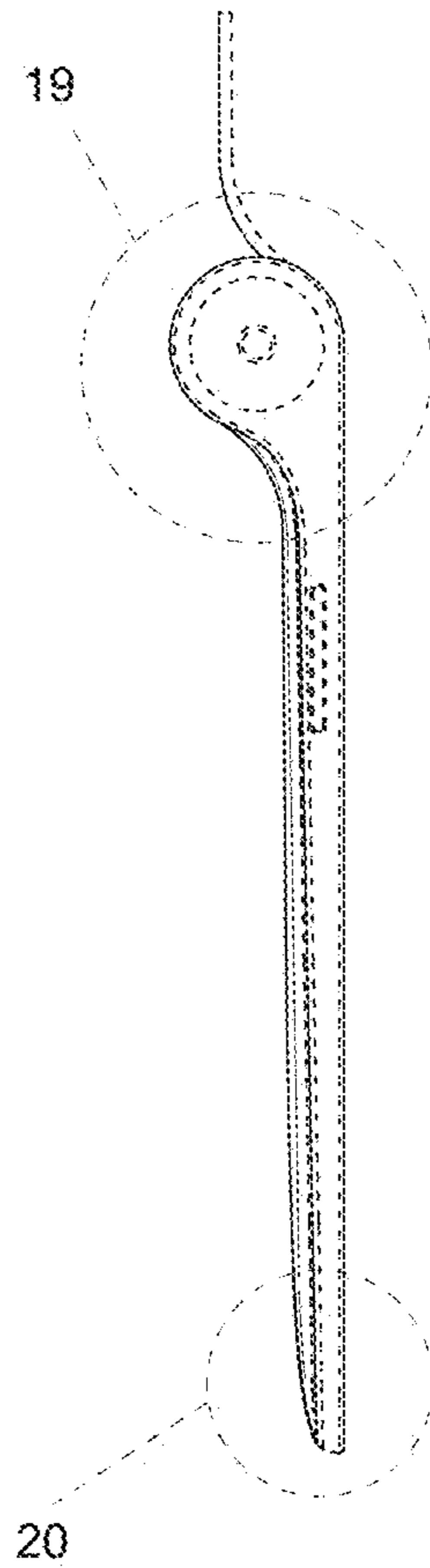


FIG.18

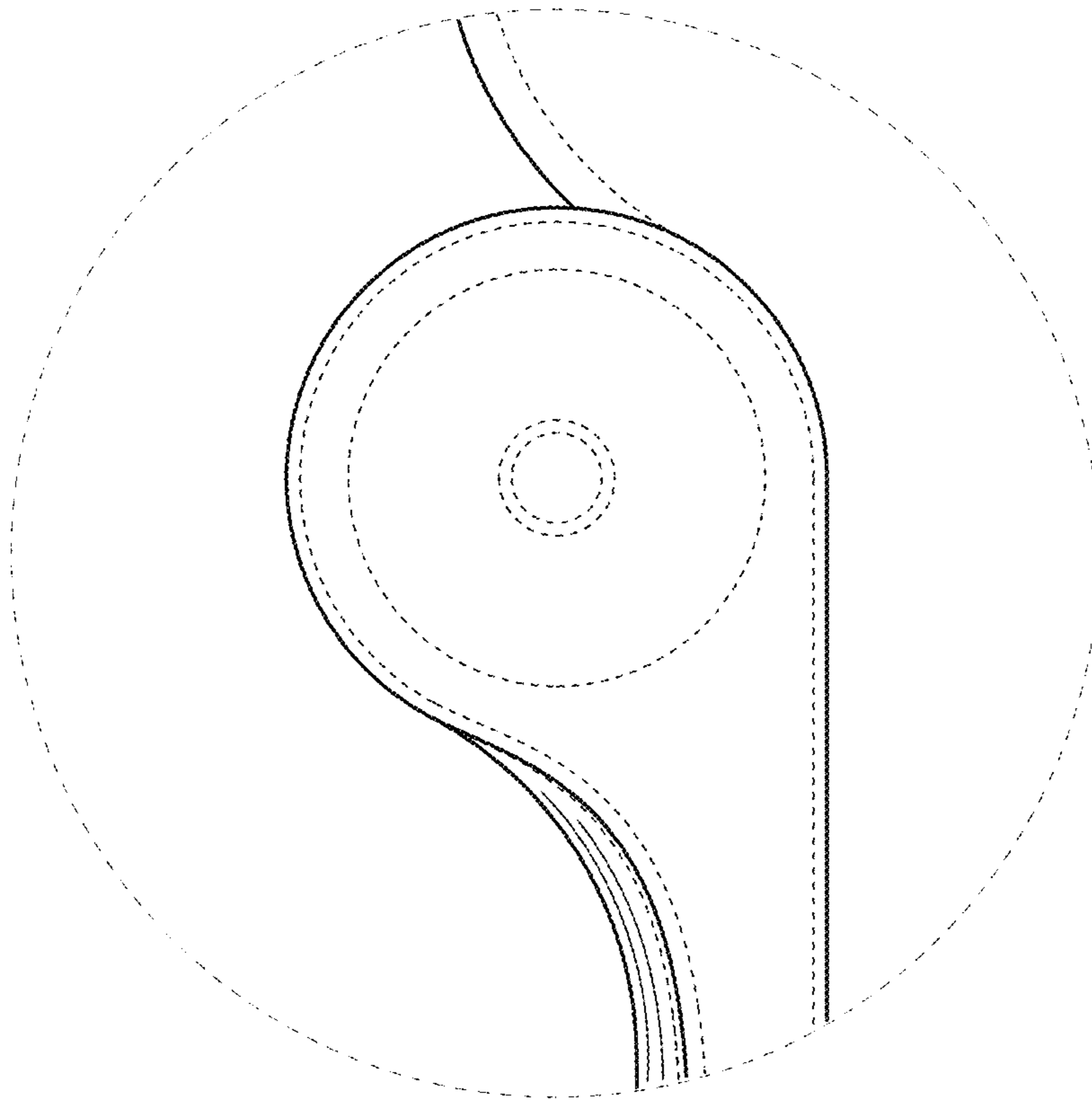


FIG.19

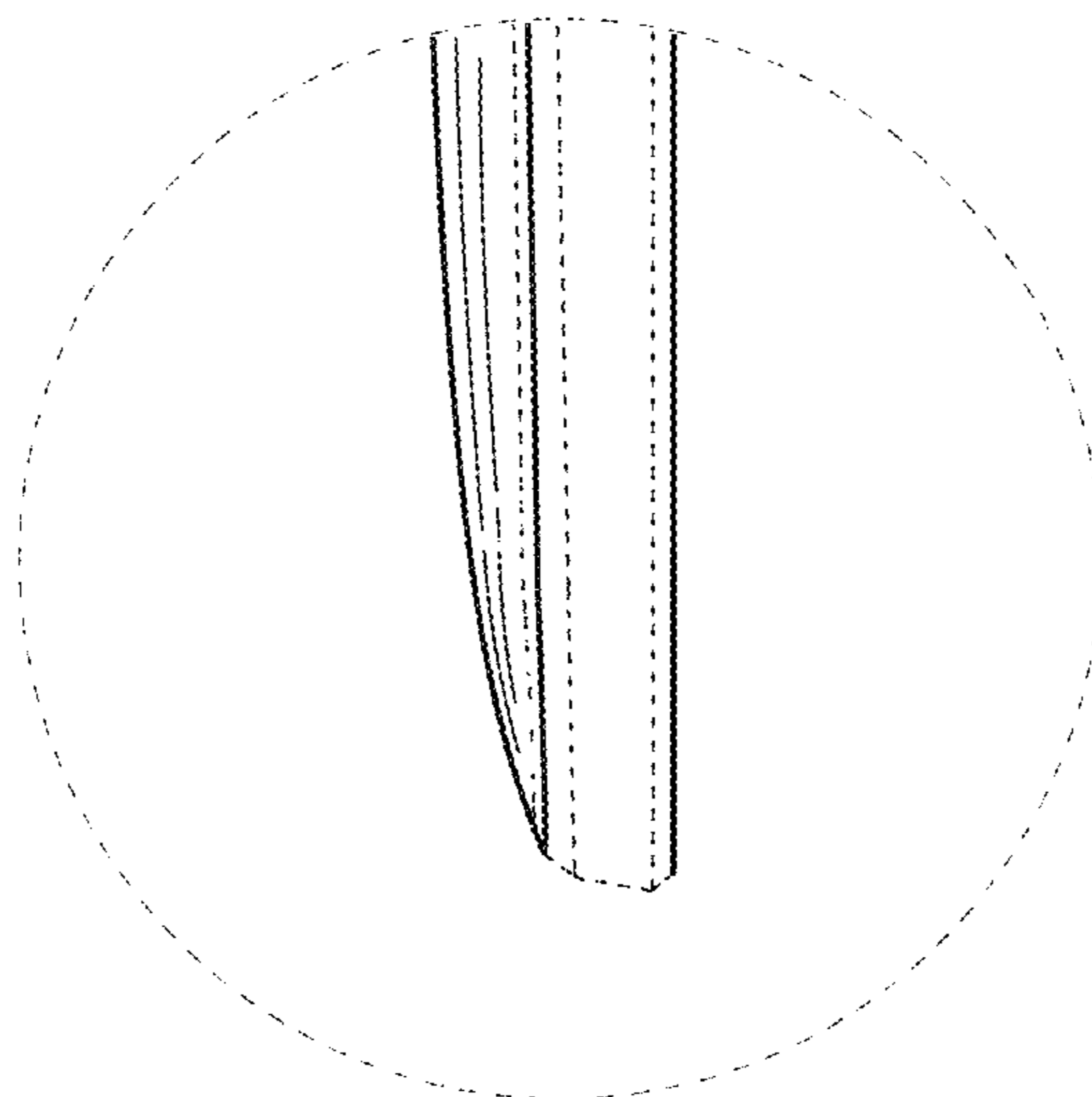


FIG.20