

US00D922996S

(12) **United States Design Patent**
Chen

(10) **Patent No.:** **US D922,996 S**

(45) **Date of Patent:** **** Jun. 22, 2021**

(54) **PORTABLE DISPLAY**

(71) Applicant: **Yihua Chen**, Guangdong (CN)

(72) Inventor: **Yihua Chen**, Guangdong (CN)

(**) Term: **15 Years**

(21) Appl. No.: **29/681,041**

(22) Filed: **Feb. 22, 2019**

(51) **LOC (13) Cl.** **14-02**

(52) **U.S. Cl.**
USPC **D14/315**

(58) **Field of Classification Search**
USPC D14/129–130, 137, 138 AA, 138 AB,
D14/138 AC, 138 AD, 138 C, 138 G,
D14/138 R, 147, 203.3–203.8, 218, 240,
D14/247, 248, 315–318, 341–347, 371,
D14/374, 388–389, 420, 426, 496
CPC G06F 1/1613; G06F 1/1626; G06F 3/0488;
G06F 3/04886; H04M 1/725; H04M
1/0202; H04M 1/0266

See application file for complete search history.

(56) **References Cited**

U.S. PATENT DOCUMENTS

D678,877 S *	3/2013	Groene	D14/341
D705,778 S *	5/2014	Groene	D14/341
D754,122 S *	4/2016	Oakley	D14/336
D754,655 S *	4/2016	Groene	D14/341
D781,848 S *	3/2017	Kim	D14/341
D782,469 S *	3/2017	Raken	D14/341
D782,470 S *	3/2017	Raken	D14/341
9,671,829 B2 *	6/2017	Ho	G06F 1/1667
D798,292 S *	9/2017	Groene	D14/341
D824,898 S *	8/2018	Xu	D14/341
D845,947 S *	4/2019	Raken	D14/341
D855,056 S *	7/2019	Raken	D14/439
D872,077 S *	1/2020	Raken	D14/341
D898,737 S *	10/2020	Chen	D14/345

(Continued)

FOREIGN PATENT DOCUMENTS

CN	201930232229.1	*	11/2019
CN	201930232236.1	*	5/2020
CN	202030042084.1	*	6/2020

OTHER PUBLICATIONS

Weichensi DQ2-4K156C 15.6 Inch 4K Portable Computer, 2020 [online], [retrieved Sep. 29, 2020], Retrieved from Internet, URL: <https://usa.banggood.com/WEICHENSI-DQ2-4K156C-15_6-Inch-4K-Portable-Computer-Gaming-Monitor-Touch-Screen-USB-C-Display-For-Tablet-La%E2%80%A6> (Year: 2020).*

(Continued)

Primary Examiner — Barbara Fox
Assistant Examiner — Aram Kwon

(57) **CLAIM**

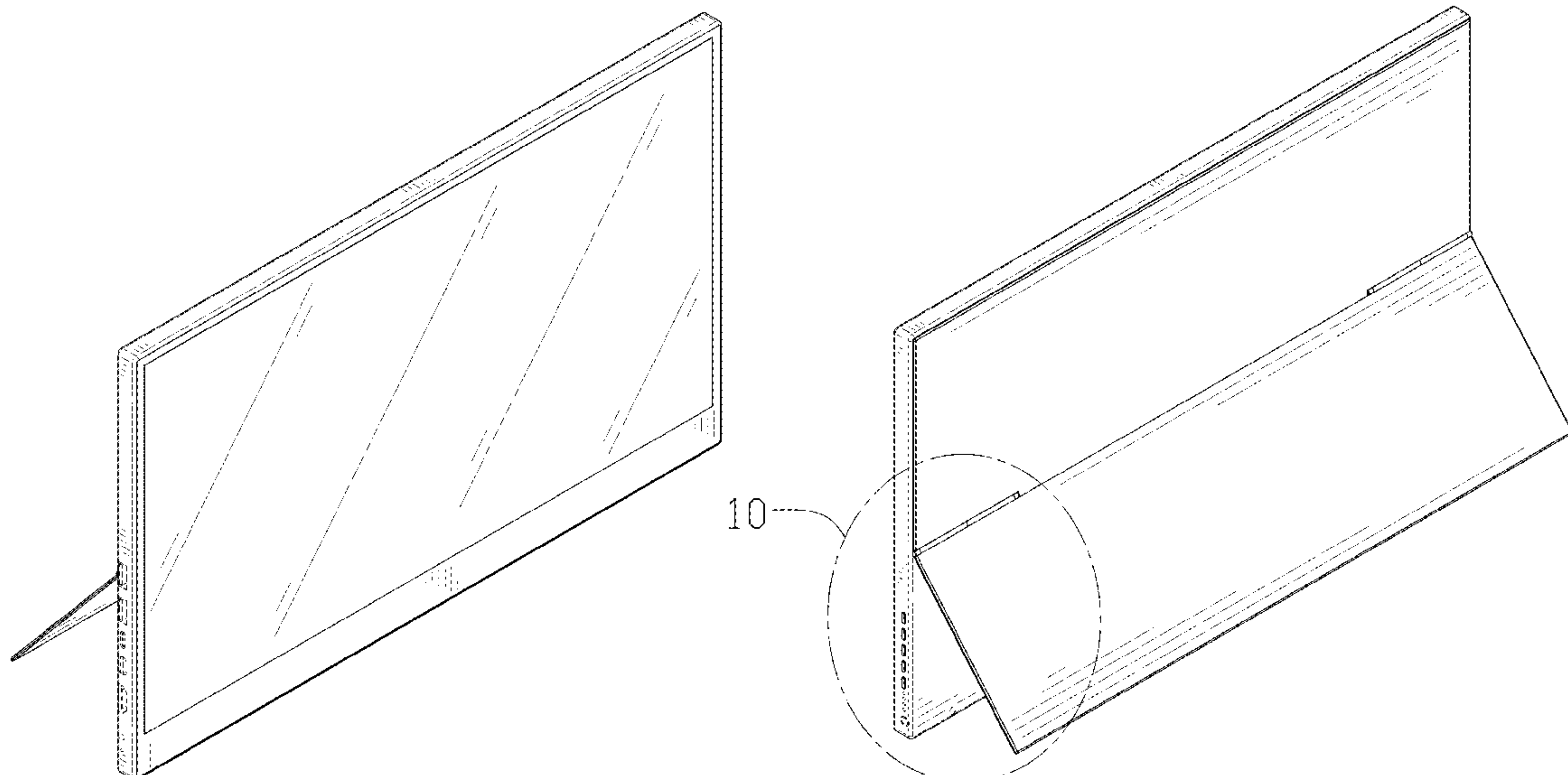
The ornamental design for a portable display, as shown and described.

DESCRIPTION

FIG. 1 is a top, front and left side perspective view of a portable display showing my new design; FIG. 2 is a top, rear and right side perspective view thereof; FIG. 3 is a front elevational view thereof; FIG. 4 is a rear elevational view thereof; FIG. 5 is a left side view thereof; FIG. 6 is a right side view thereof; FIG. 7 is a top plan view thereof; FIG. 8 is a bottom plan view thereof; FIG. 9 is a top, rear and right side perspective view showing the portable display in a folded state; and, FIG. 10 is an enlarged view of portion 10 in FIG. 2. The oblique shade lines in the drawings represent a reflective surface.

The broken lines in the drawings illustrate portions of the portable display which form no part of the claimed design.

1 Claim, 10 Drawing Sheets



(56)

References Cited

U.S. PATENT DOCUMENTS

D906,329 S * 12/2020 Wu D14/345
D913,281 S * 3/2021 Kang D14/341
2005/0052831 A1 * 3/2005 Chen G06F 1/1683
361/679.11
2018/0052487 A1 * 2/2018 Lin G06F 1/1626
2020/0124229 A1 * 4/2020 Han H04M 1/0216

OTHER PUBLICATIONS

SideTrak Portable Monitor, (c) 2020 [online], [retrieved Sep. 29, 2020], Retrieved from Internet, URL: <https://www.amazon.com/SideTrak-Freestanding-Touchscreen-Kickstand-Compatible/dp/B08D1MLTQD/ref=asc_df_B08D1MLTQD/?tag=hyprod-20&li%2E2%80%A6> (Year: 2020).*

Google Pixel Slate, date first available: Nov. 6, 2018, [retrieved Mar. 22, 2021], Retrieved from Internet, URL: <https://www.amazon.com/Google-Pixel-12-3-Inch-Tablet-aspect/dp/B07JWCHWRM/ref=asc_df_B07JWCHWRM/?tag=hyprod-20&linkCode=df0&hva%2E2%80%A6> (Year: 2018).*

Microsoft Surface Pro 4, date first available: Aug. 1, 2016, [retrieved Mar. 22, 2021], Retrieved from Internet, URL: <https://www.amazon.com/Microsoft-PixelSense-Touchscreen-128GB-Professional/dp/B017UAMI2U/ref=asc_df_B017UAMI2U/?tag=hyprod-20&linkC%2E2%80%A6> (Year: 2016).*

* cited by examiner

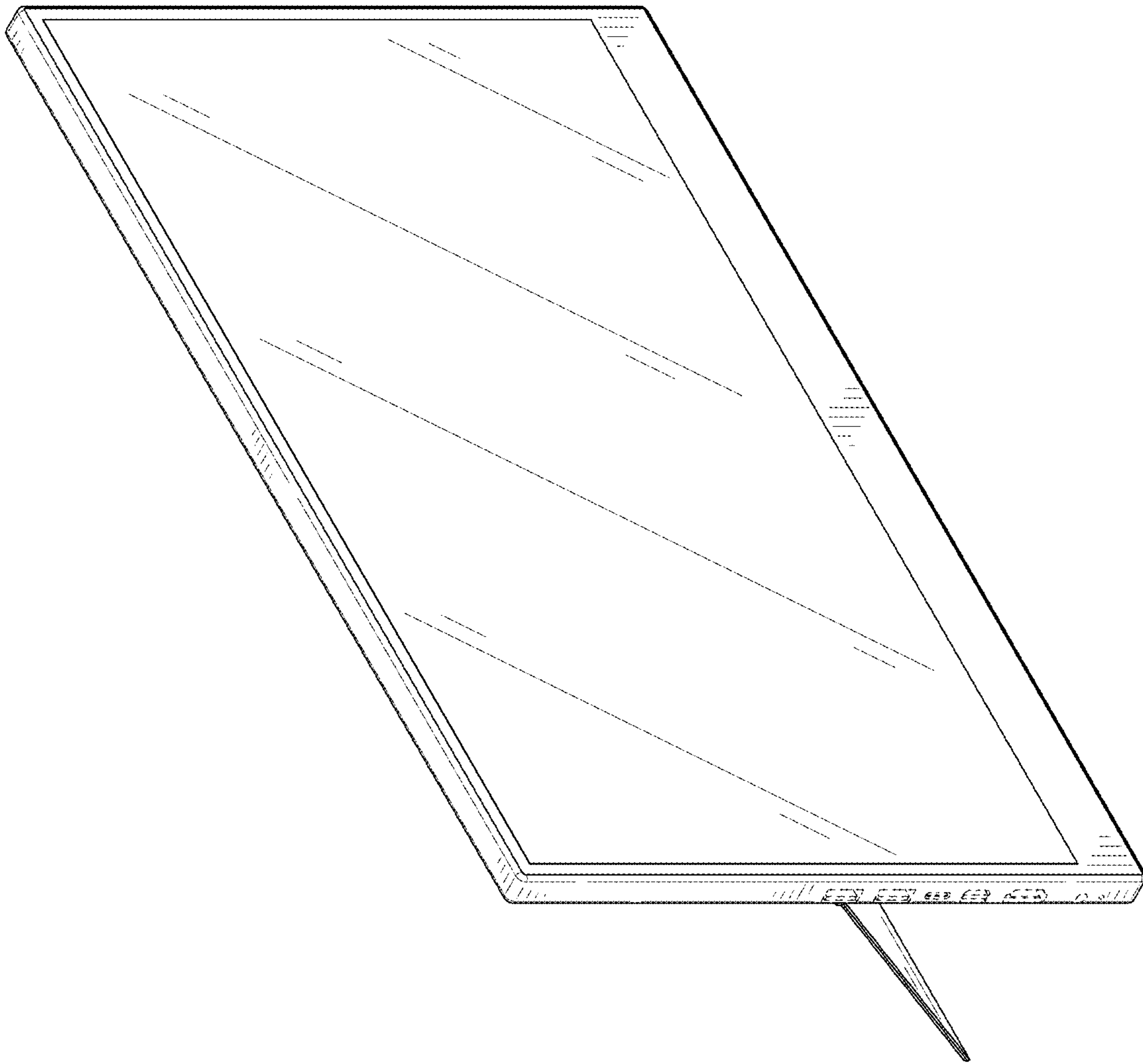


FIG. 1

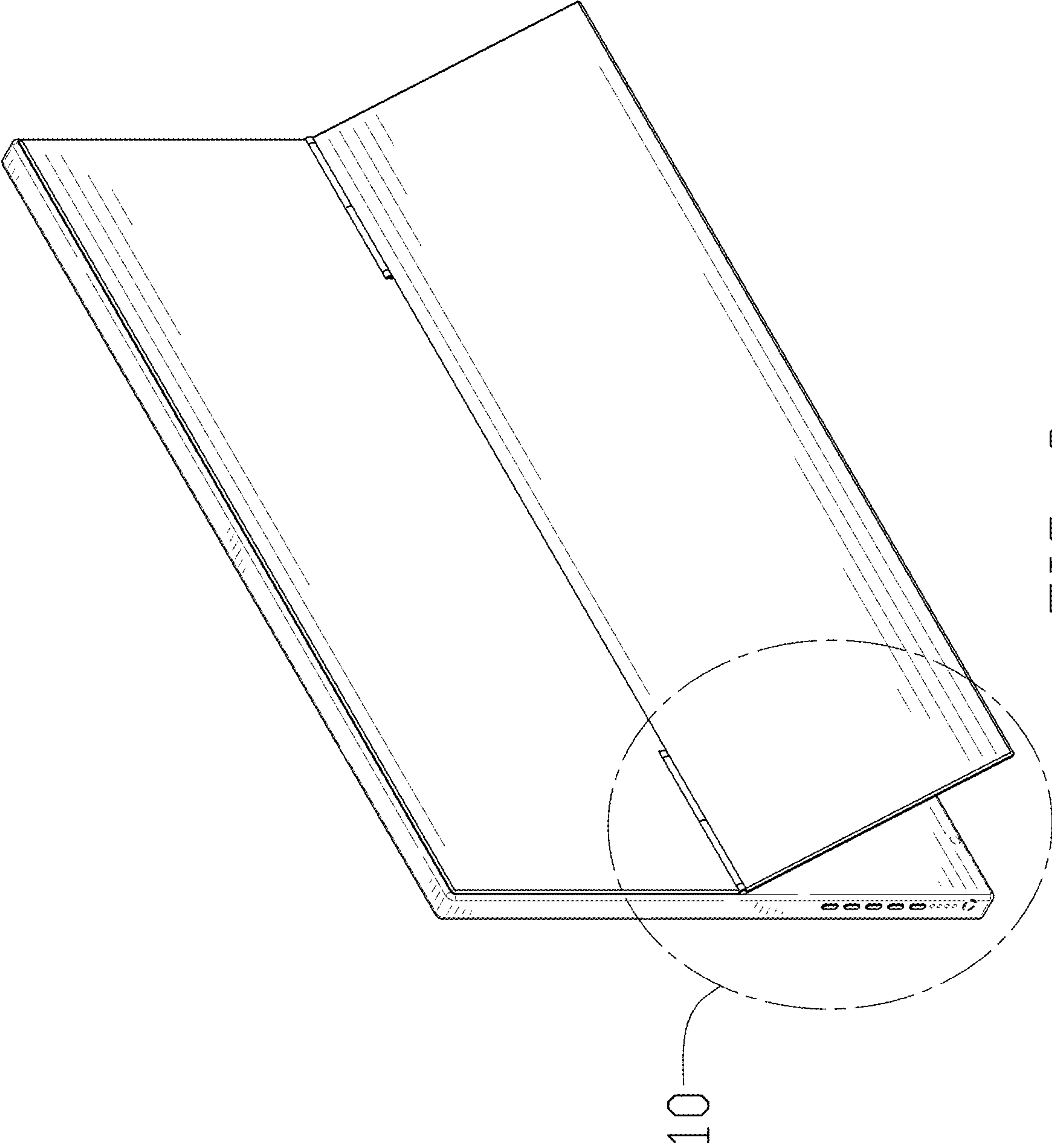


FIG. 2

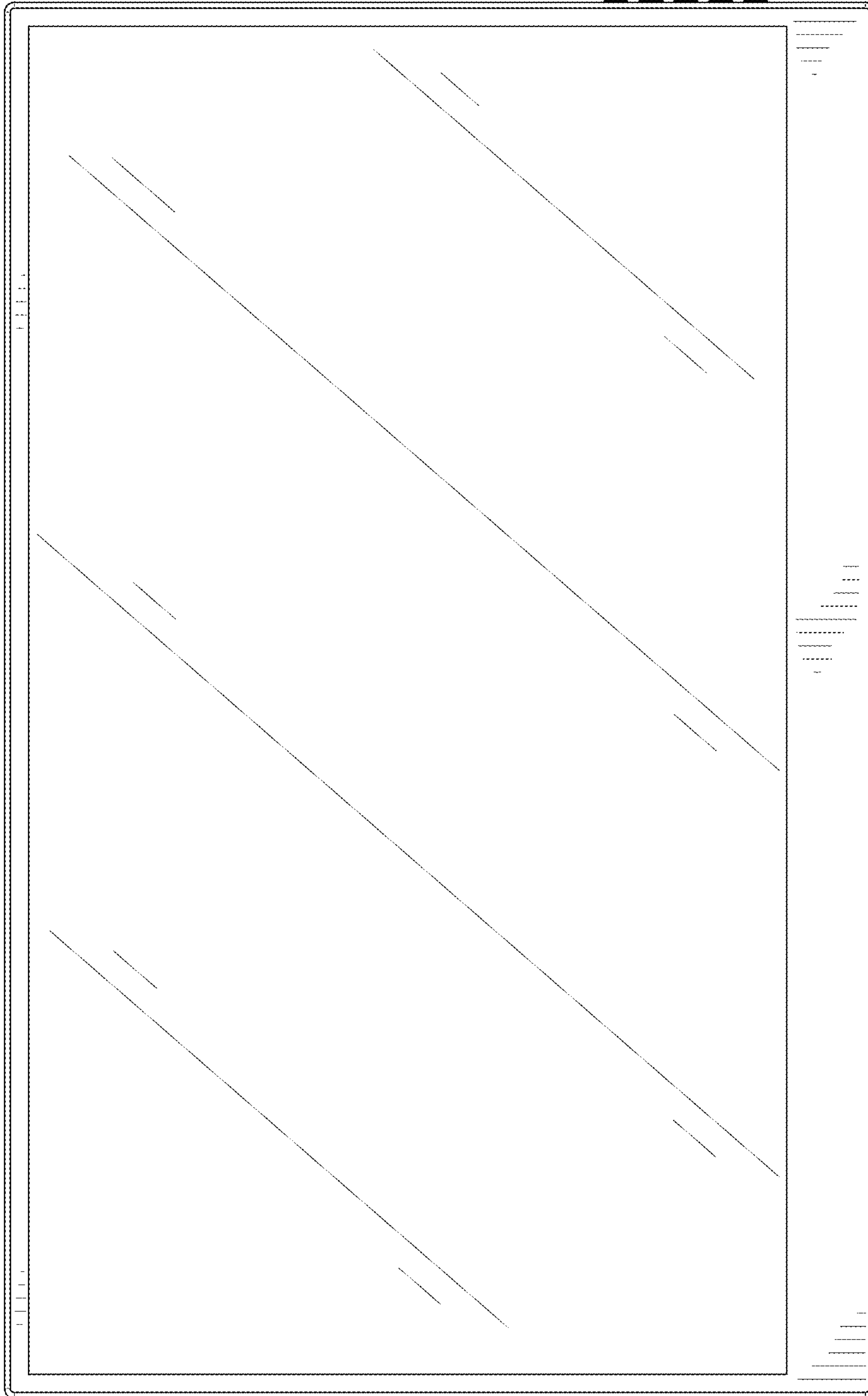


FIG. 3

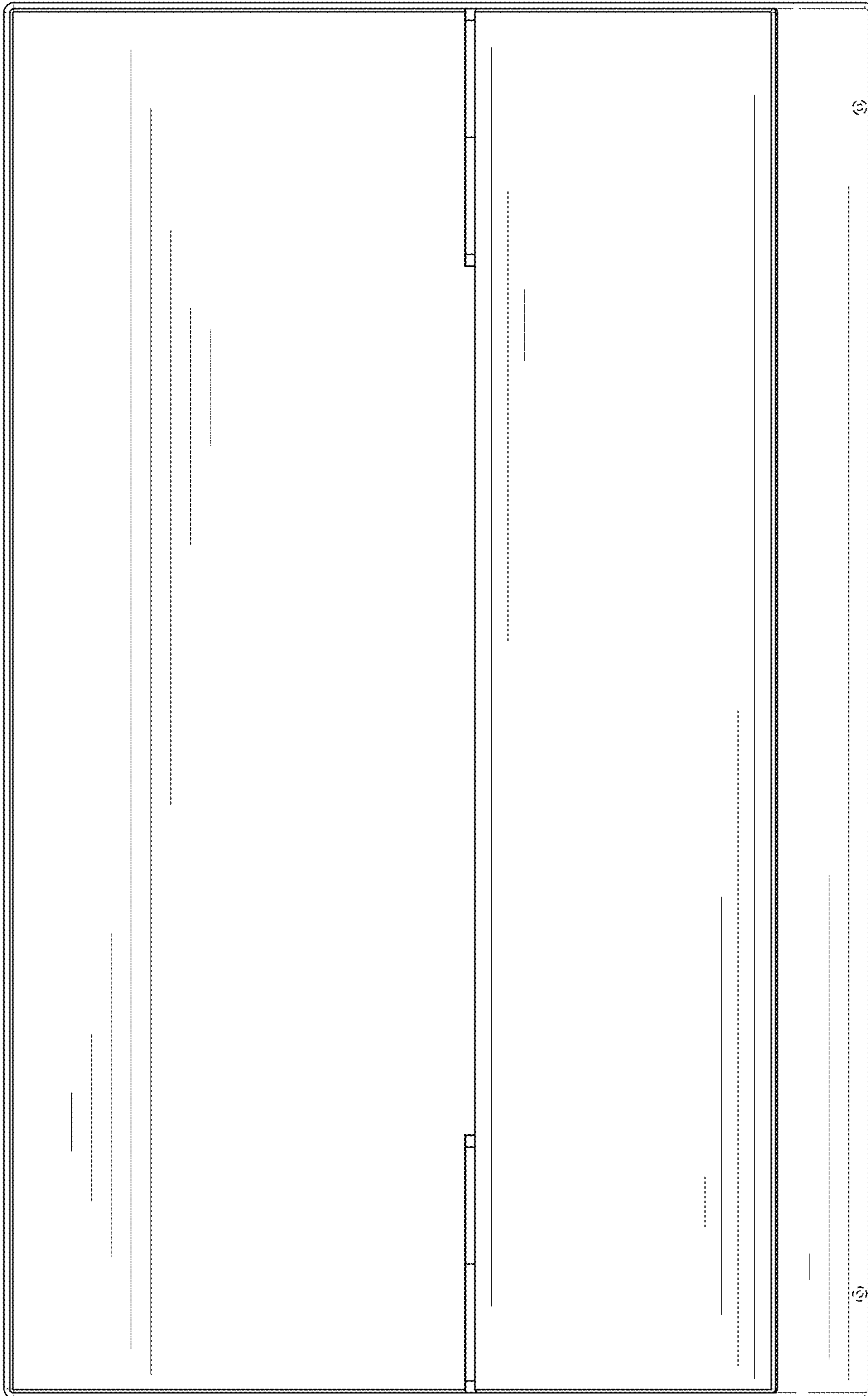


FIG. 4

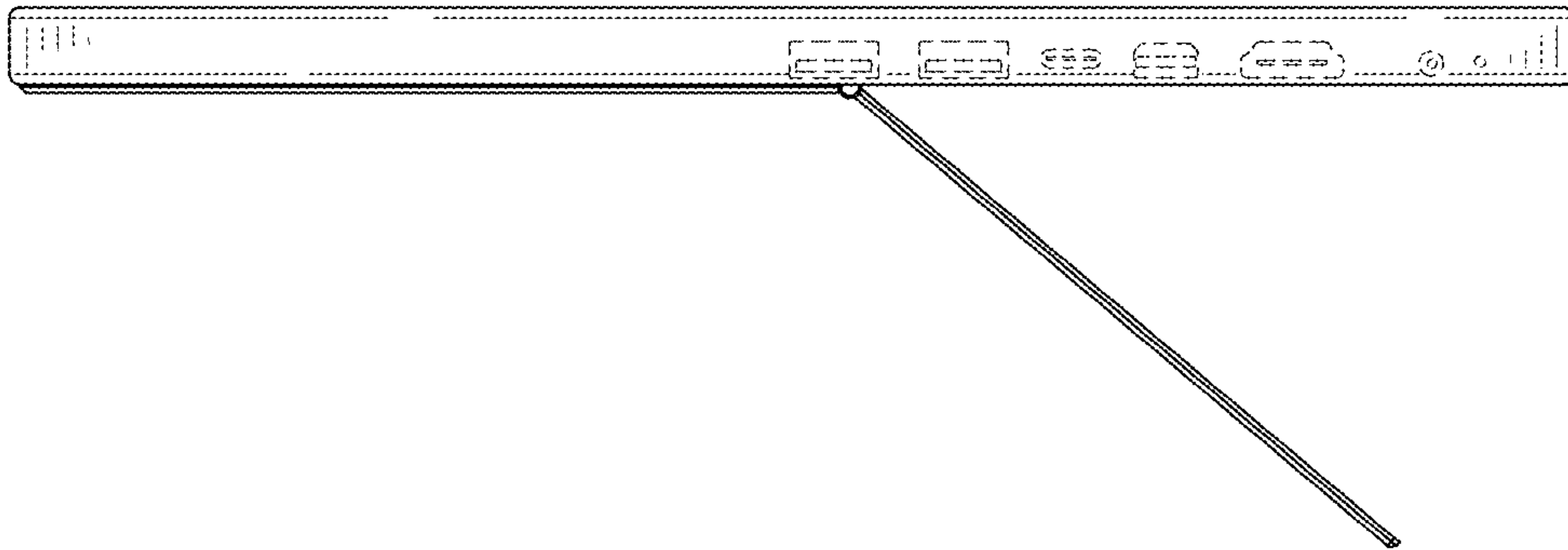


FIG. 5

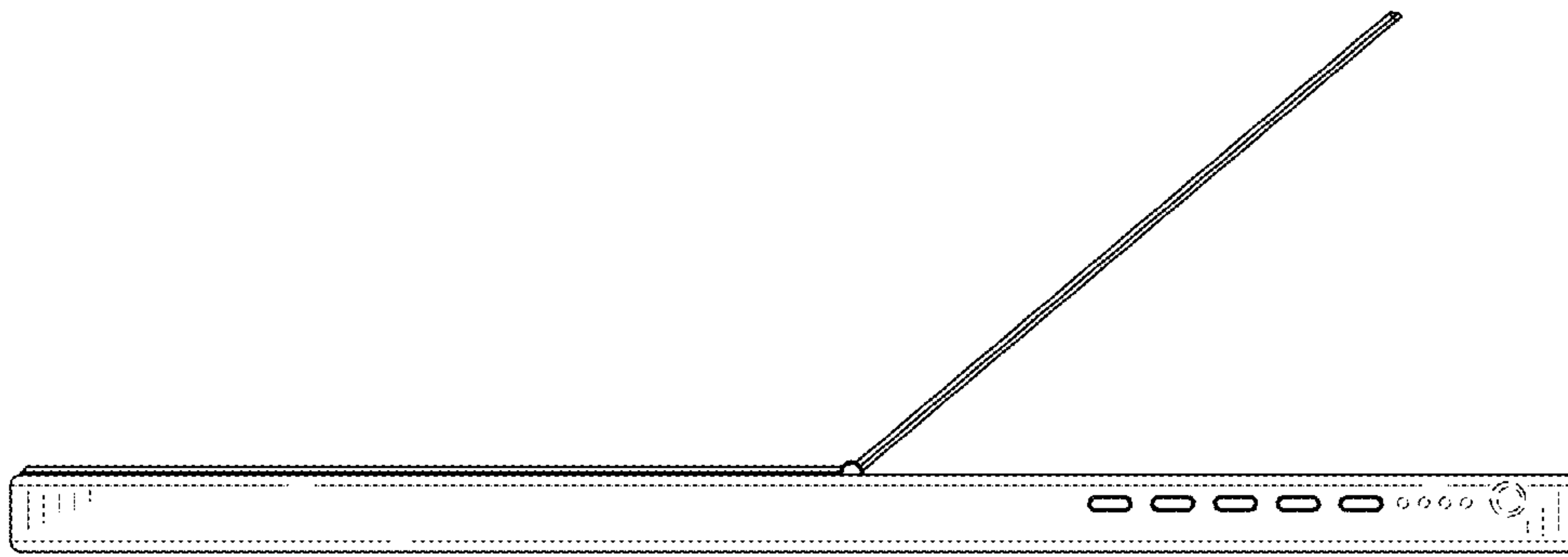


FIG. 6

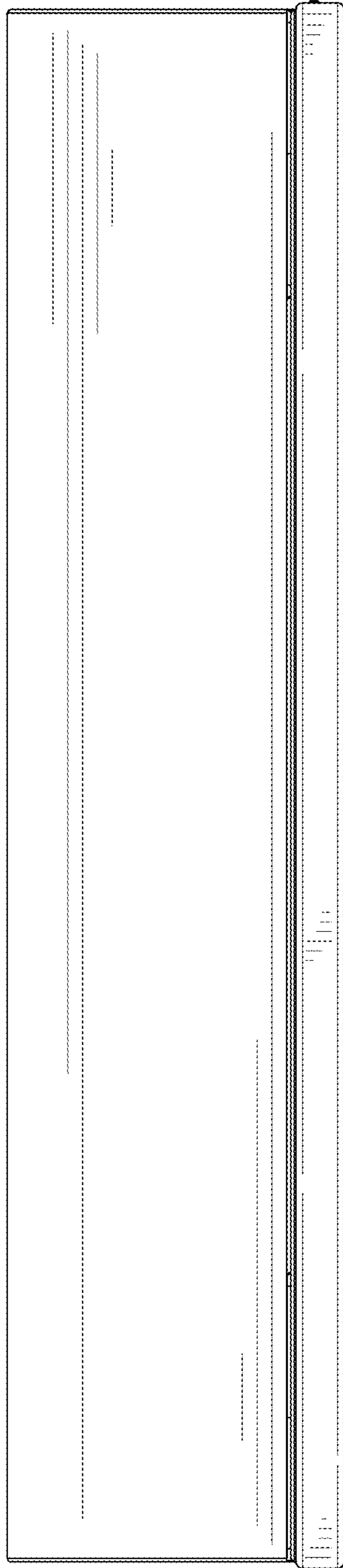


FIG. 7

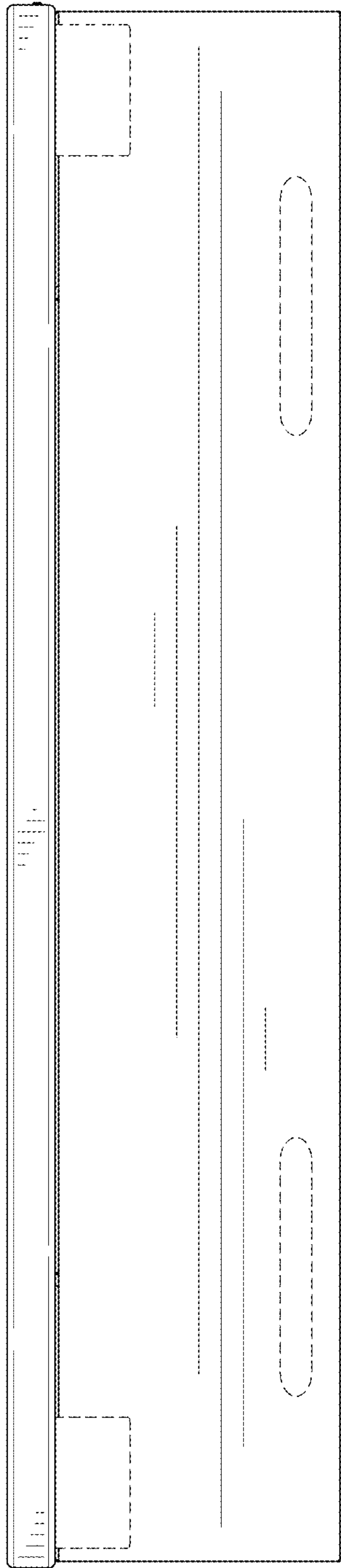


FIG. 8

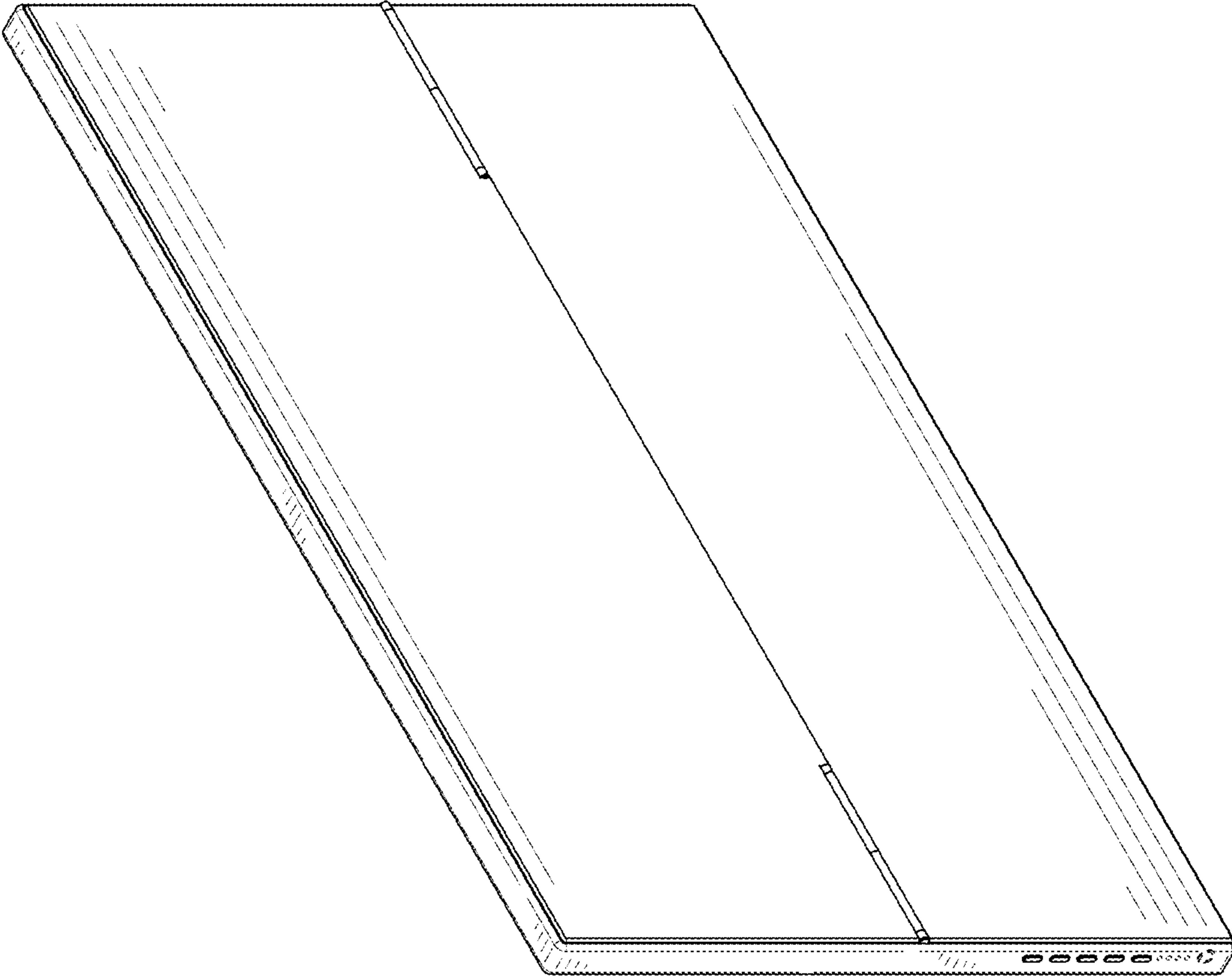


FIG. 9

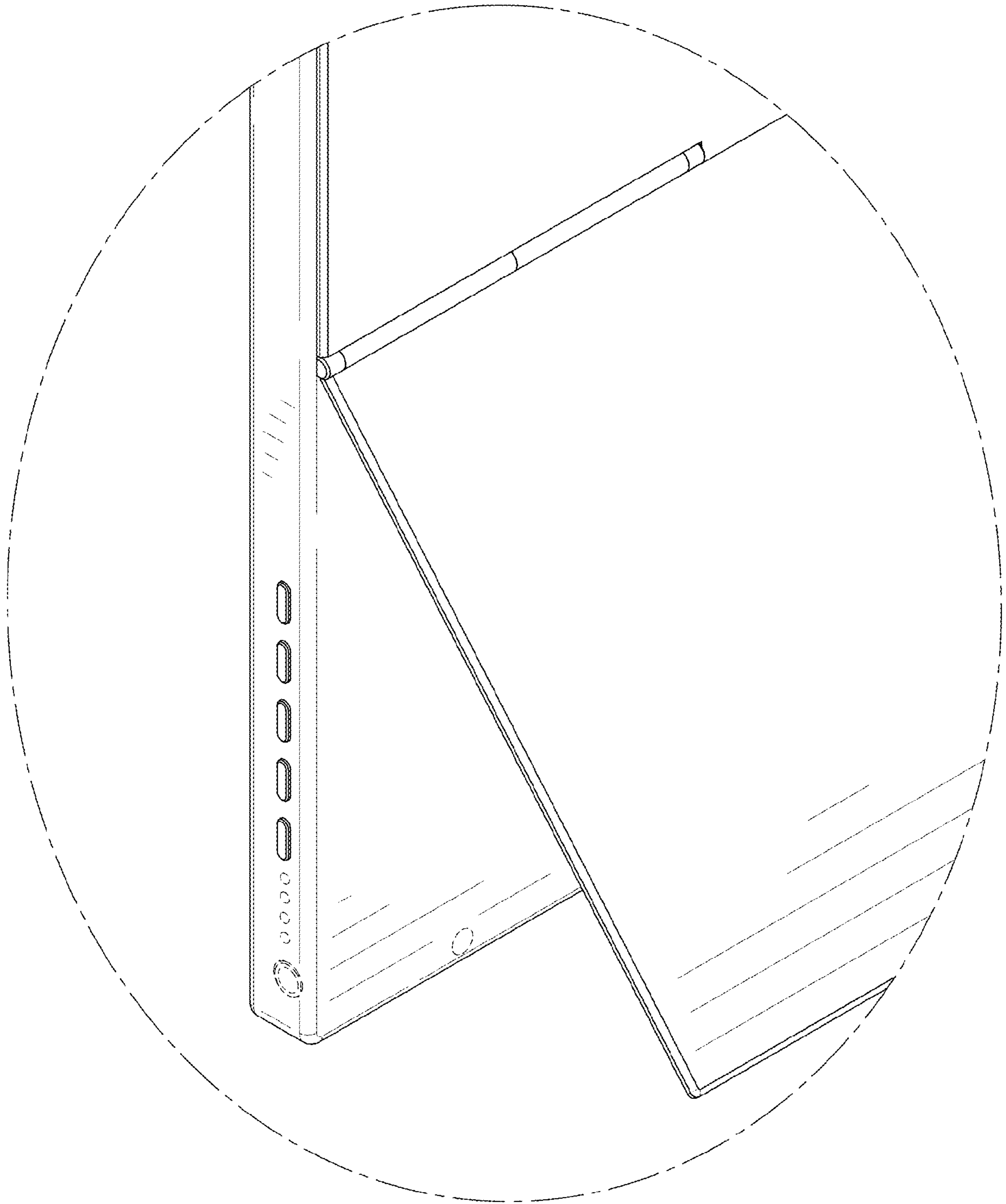


FIG. 10