



US00D922995S

(12) **United States Design Patent**  
**Lin et al.**

(10) **Patent No.:** **US D922,995 S**  
(45) **Date of Patent:** **\*\* Jun. 22, 2021**

(54) **SUPPORT ASSEMBLED WITH A THERMAL PRINTER AND APPLIED TO A KIOSK**

(71) Applicant: **FLYTECH TECHNOLOGY CO., LTD**, Taipei (TW)

(72) Inventors: **Po-Hung Lin**, Taoyuan (TW); **Yu-shan Chen**, Kaohsiung (TW); **Hsuan-Chuan Wang**, Taipei (TW)

(73) Assignee: **FLYTECH TECHNOLOGY CO., LTD**, Taipei (TW)

(\*\*) Term: **15 Years**

(21) Appl. No.: **29/727,504**

(22) Filed: **Mar. 11, 2020**

(30) **Foreign Application Priority Data**

Sep. 18, 2019 (TW) ..... 108305683

(51) **LOC (13) Cl.** ..... **14-02**

(52) **U.S. Cl.**  
USPC ..... **D14/307**

(58) **Field of Classification Search**  
USPC ..... D14/302-307, 900-902; D13/163;  
D20/10; D21/332, 325, 369, 370;  
D99/28; D6/397, 466; 194/206;  
361/679.01, 679.02, 679.04, 679.21,  
361/679.57, 725  
CPC ..... G06Q 20/18; G06Q 20/10; G06Q 20/123;  
G06Q 20/20; G06Q 30/02; G06Q 30/06;  
A47F 9/047  
See application file for complete search history.

(56) **References Cited**

**U.S. PATENT DOCUMENTS**

D816,077 S \* 4/2018 Benic ..... D14/307  
D836,625 S \* 12/2018 Szeredi ..... D14/307

D888,705 S \* 6/2020 Saito ..... D14/307  
D889,455 S \* 7/2020 Birgeoglu ..... D14/307  
D896,806 S \* 9/2020 Zheng ..... D14/307  
D902,918 S \* 11/2020 Friedli ..... D14/307  
D902,919 S \* 11/2020 Carmona ..... D14/307  
D904,394 S \* 12/2020 Friedli ..... D14/307  
D910,006 S \* 2/2021 Kihl ..... D14/307

\* cited by examiner

*Primary Examiner* — Austin Murphy

(74) *Attorney, Agent, or Firm* — WPAT, PC

(57) **CLAIM**

The ornamental design for support assembled with a thermal printer and applied to a kiosk, as shown and described in the drawings.

**DESCRIPTION**

FIG. 1 is a perspective view of the support assembled with a thermal printer and applied to a kiosk showing my new design.

FIG. 2 is a front view thereof;

FIG. 3 is a back view thereof;

FIG. 4 is a left view thereof;

FIG. 5 is a right view thereof;

FIG. 6 is a top view thereof;

FIG. 7 is a bottom view thereof;

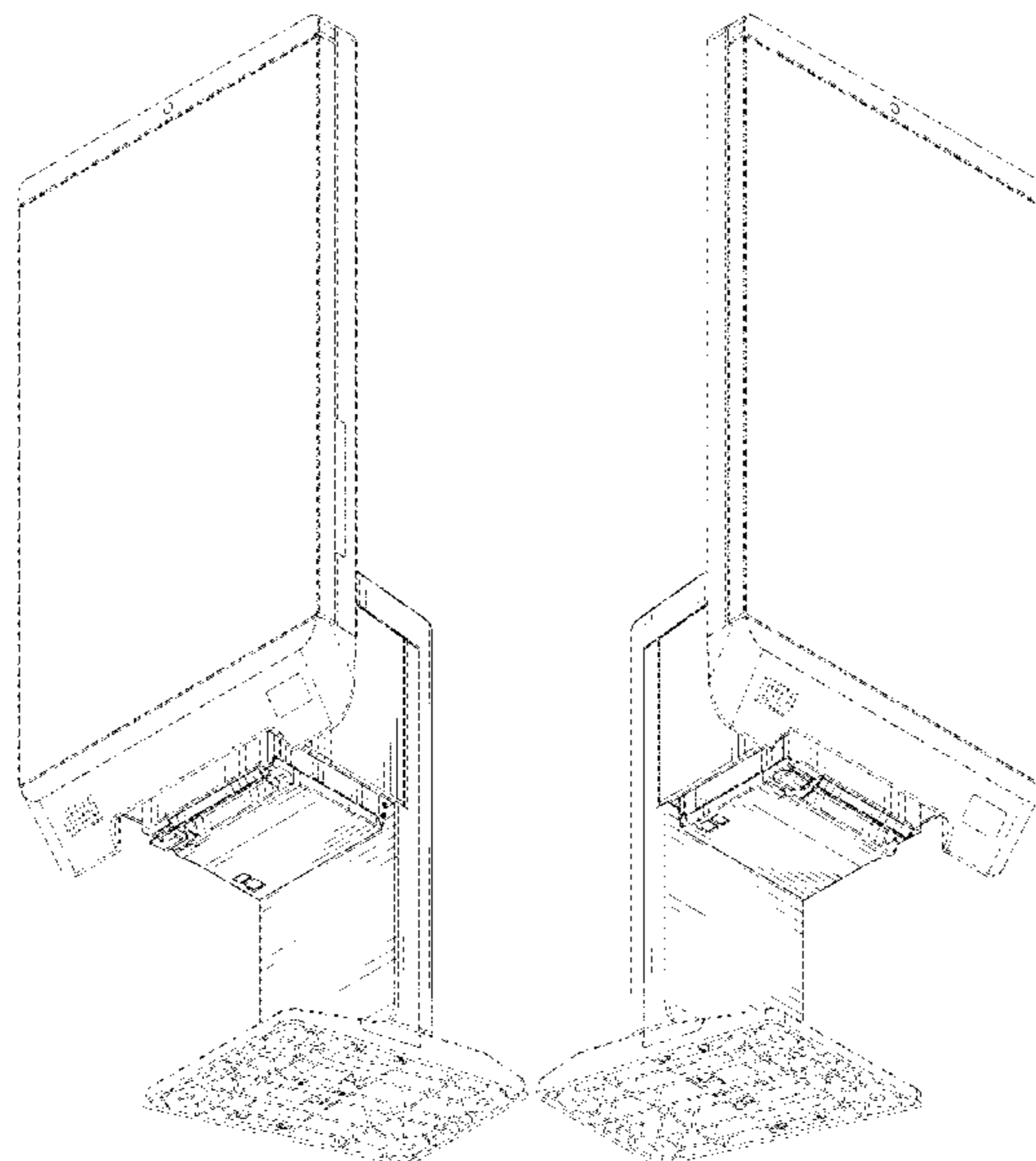
FIG. 8 is the second perspective view thereof;

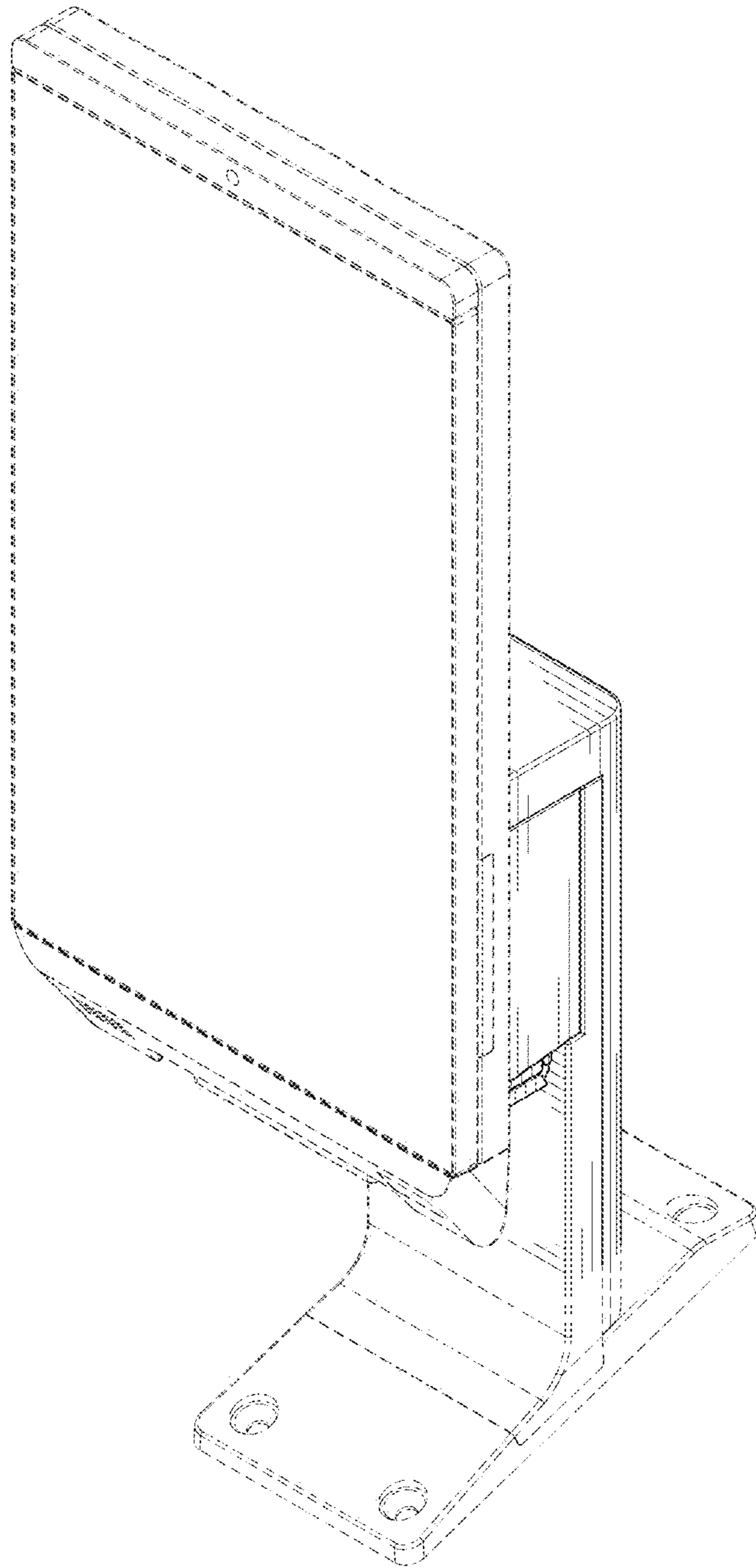
FIG. 9 is the third perspective view thereof; and,

FIG. 10 is the fourth perspective view thereof.

This patent application is applied for a partial design in USA, so it will be understood that the dash lines presented in the drawings are for illustration only, and do not form a part of the claimed design.

**1 Claim, 9 Drawing Sheets**





*Fig. 1*

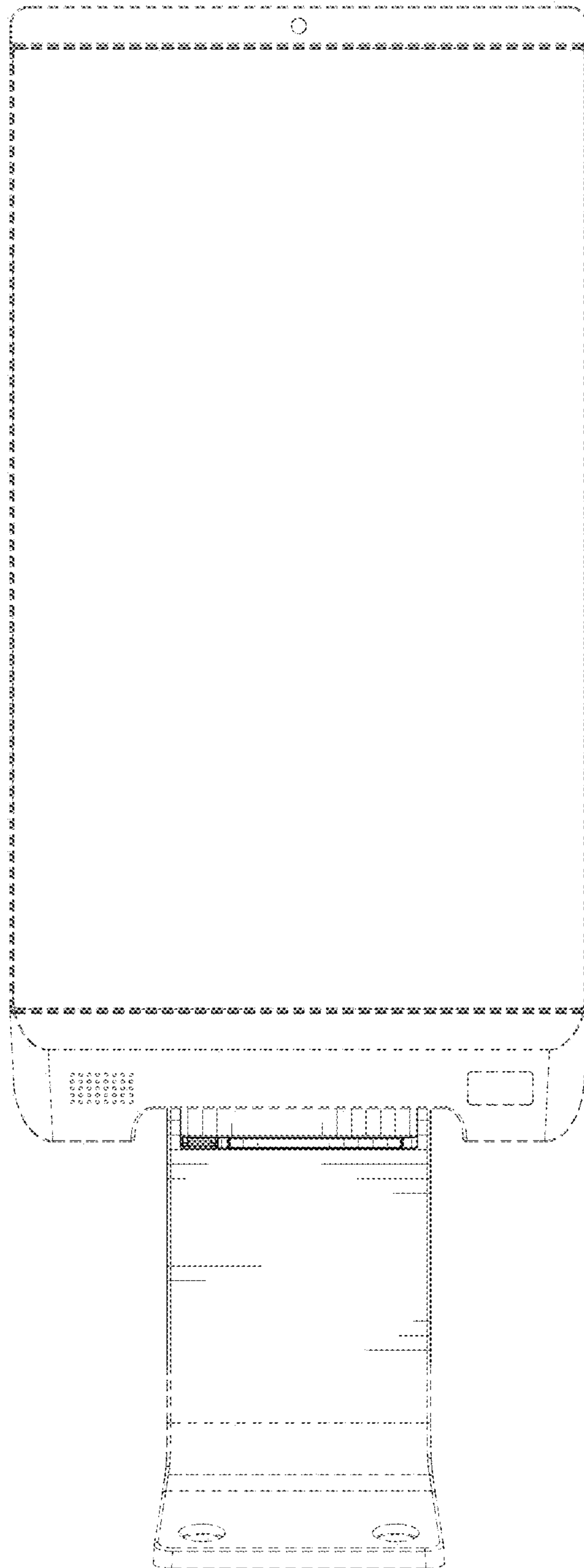


Fig. 2

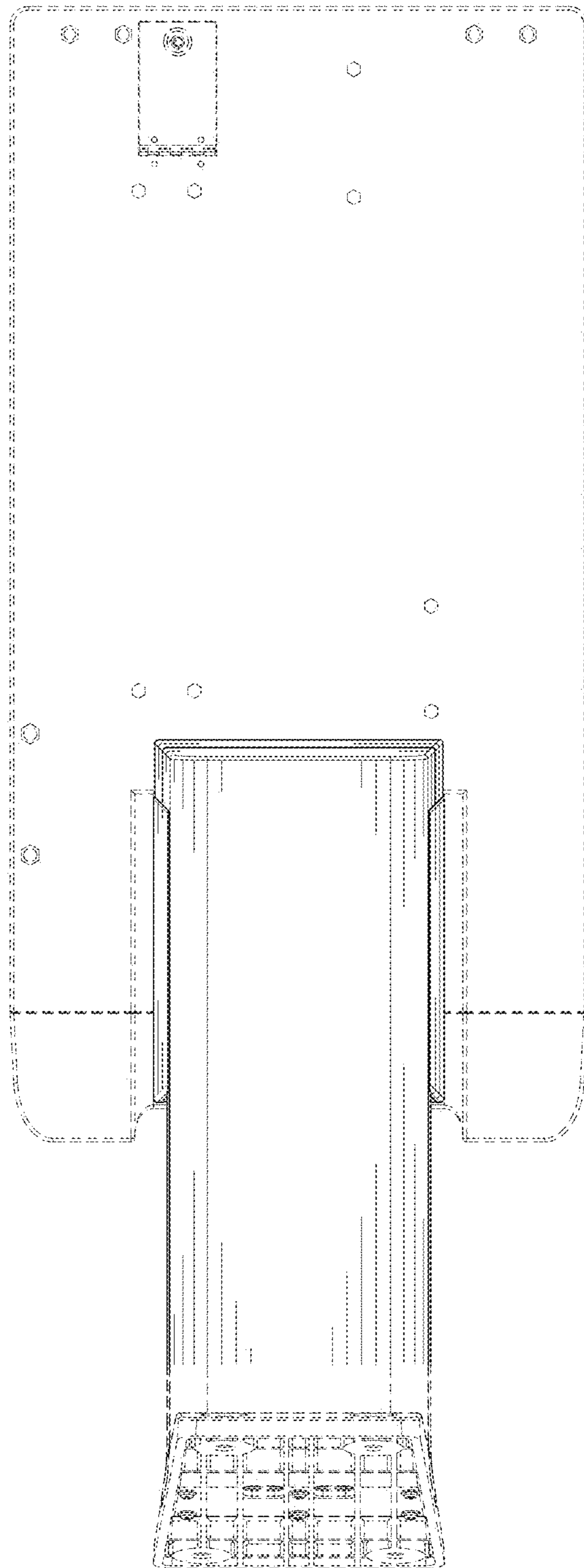


Fig. 3

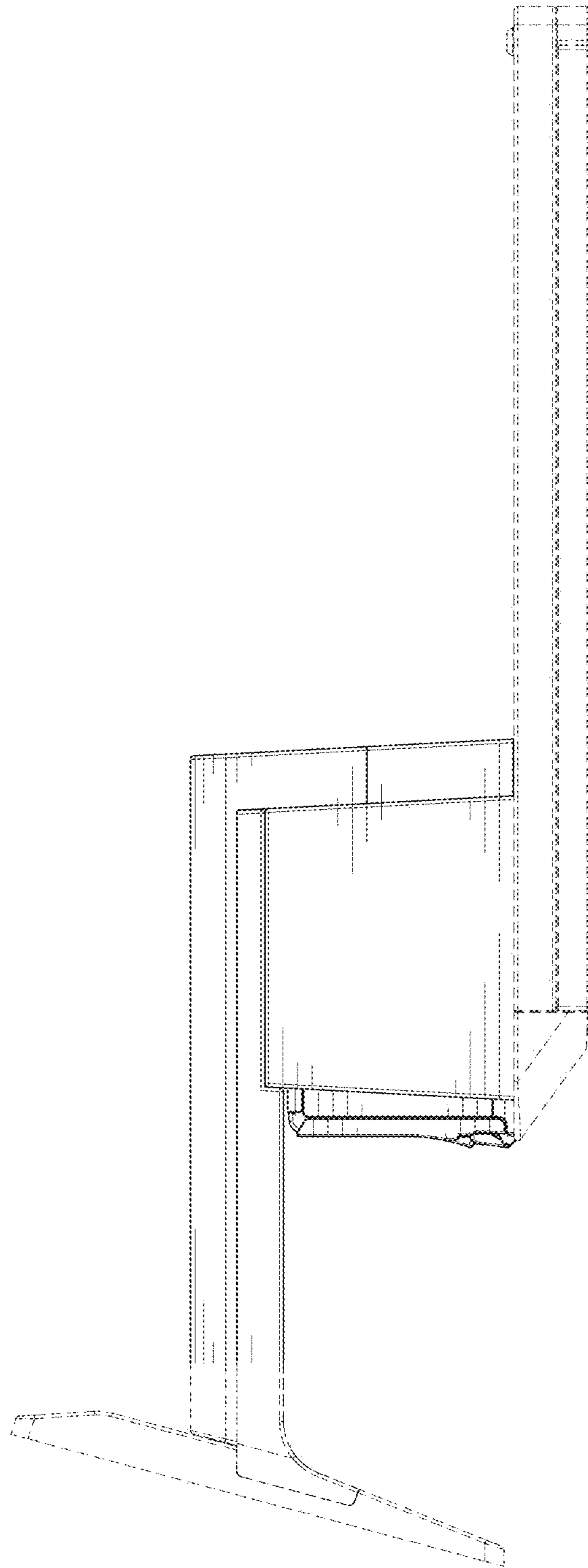


Fig. 4

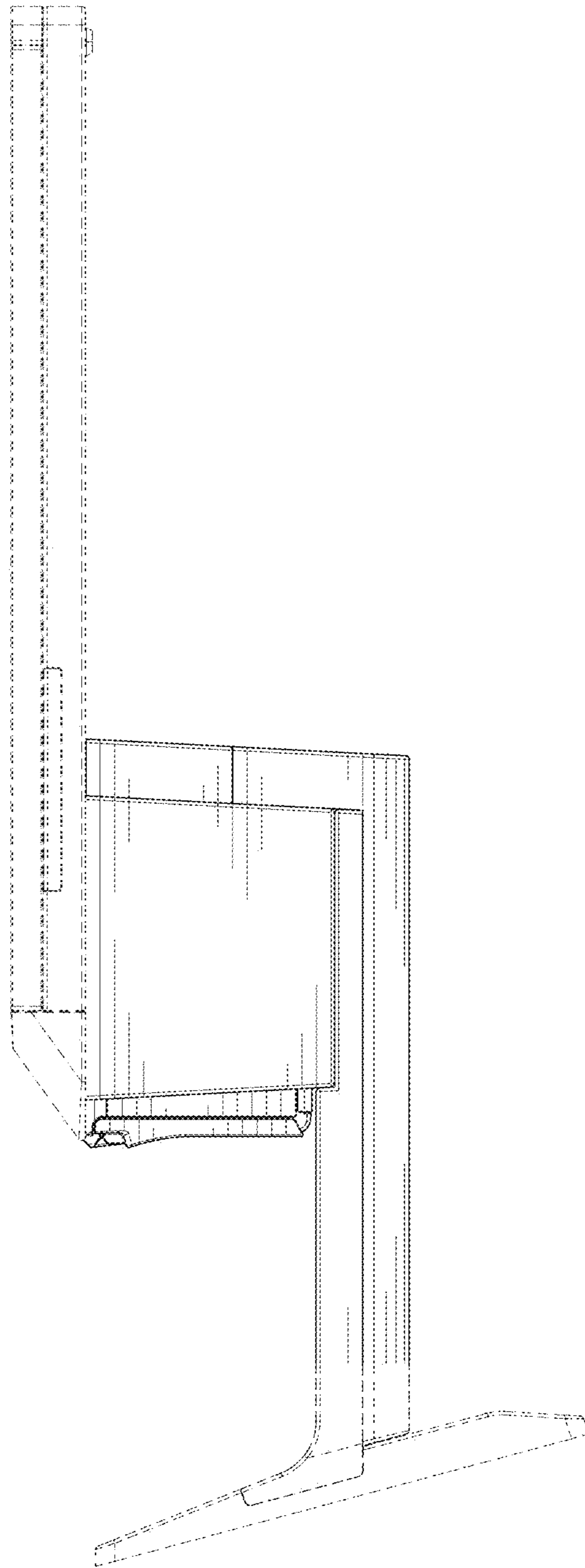
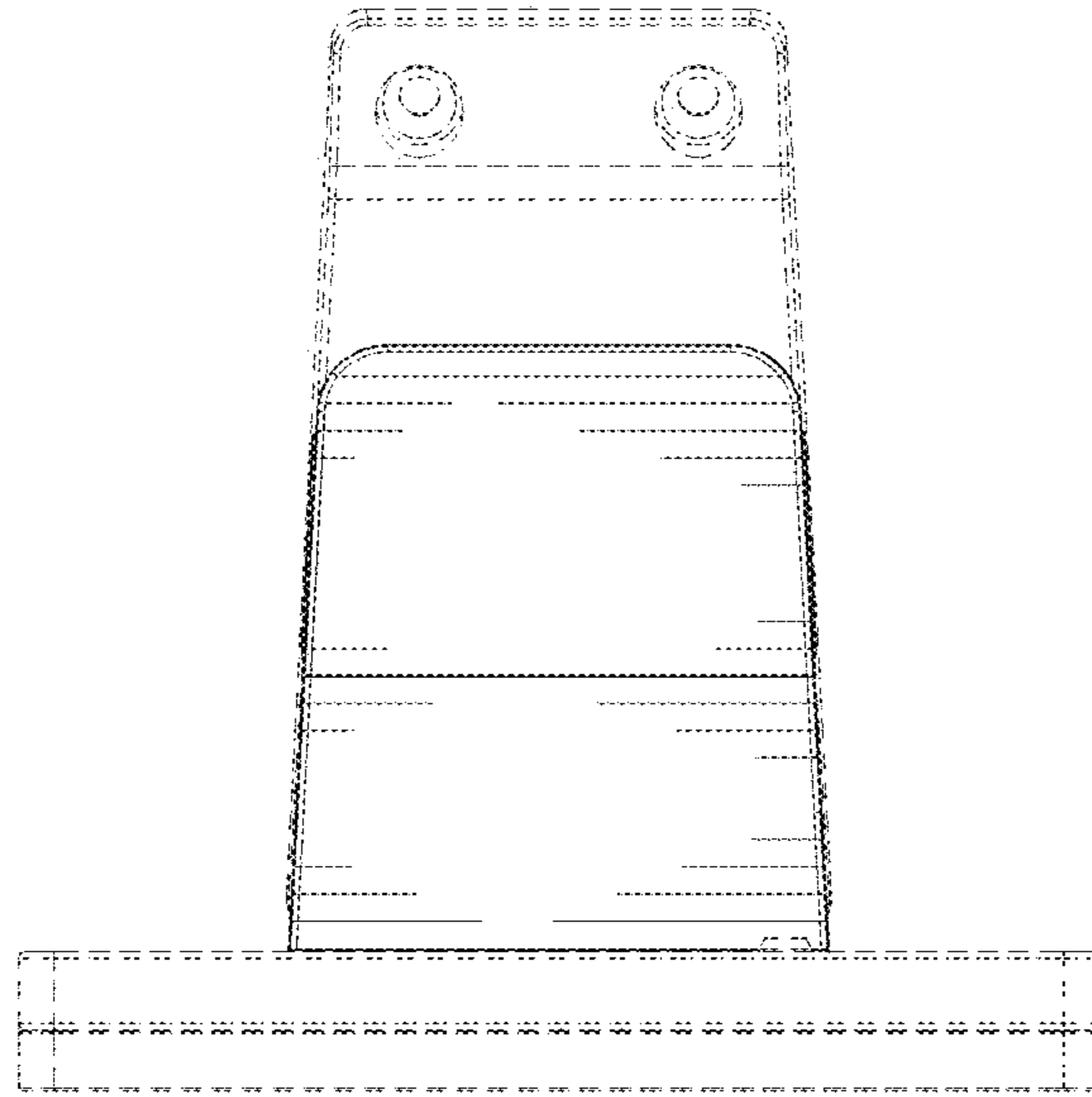
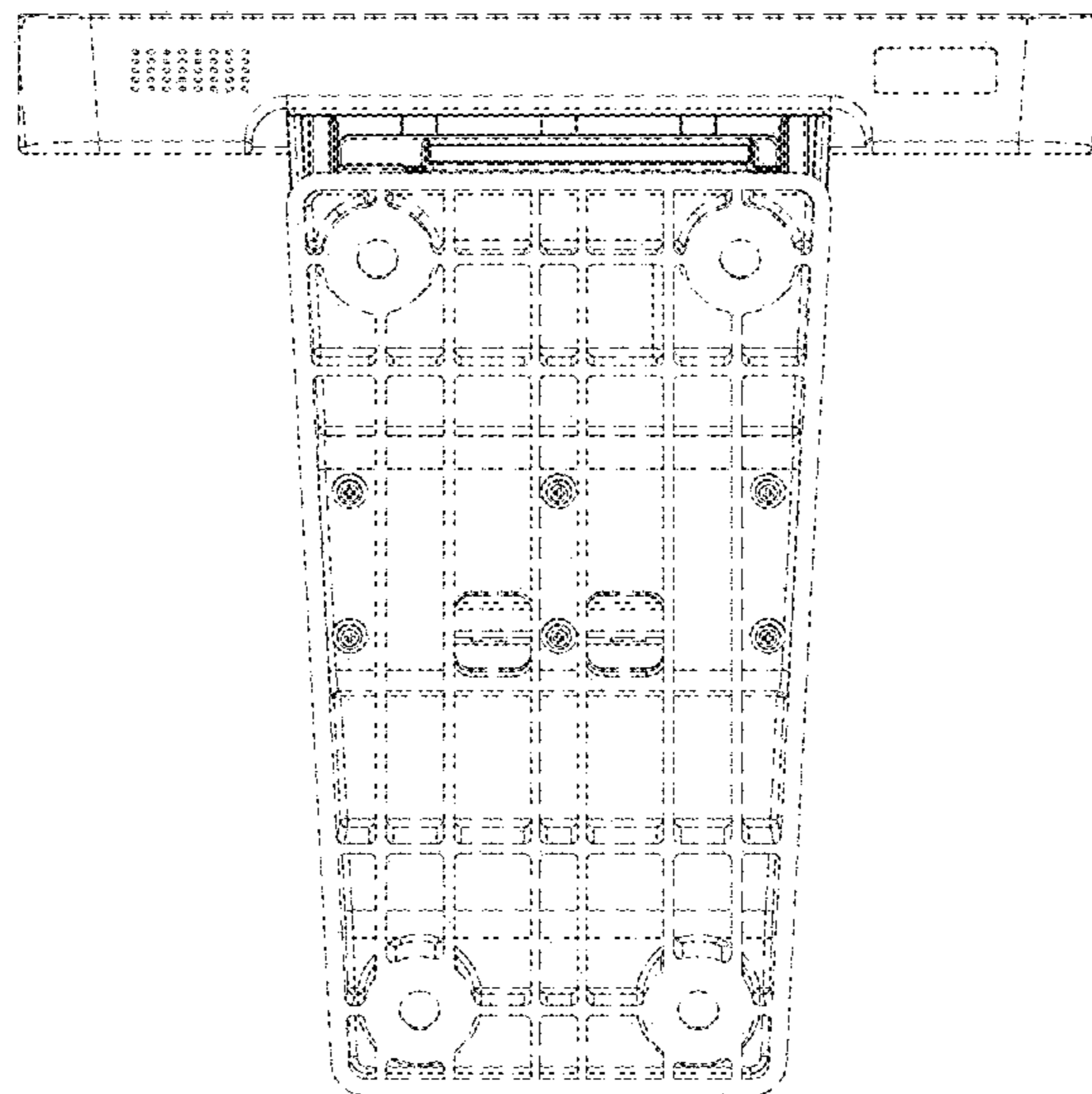


Fig. 5



*Fig. 6*



*Fig. 7*

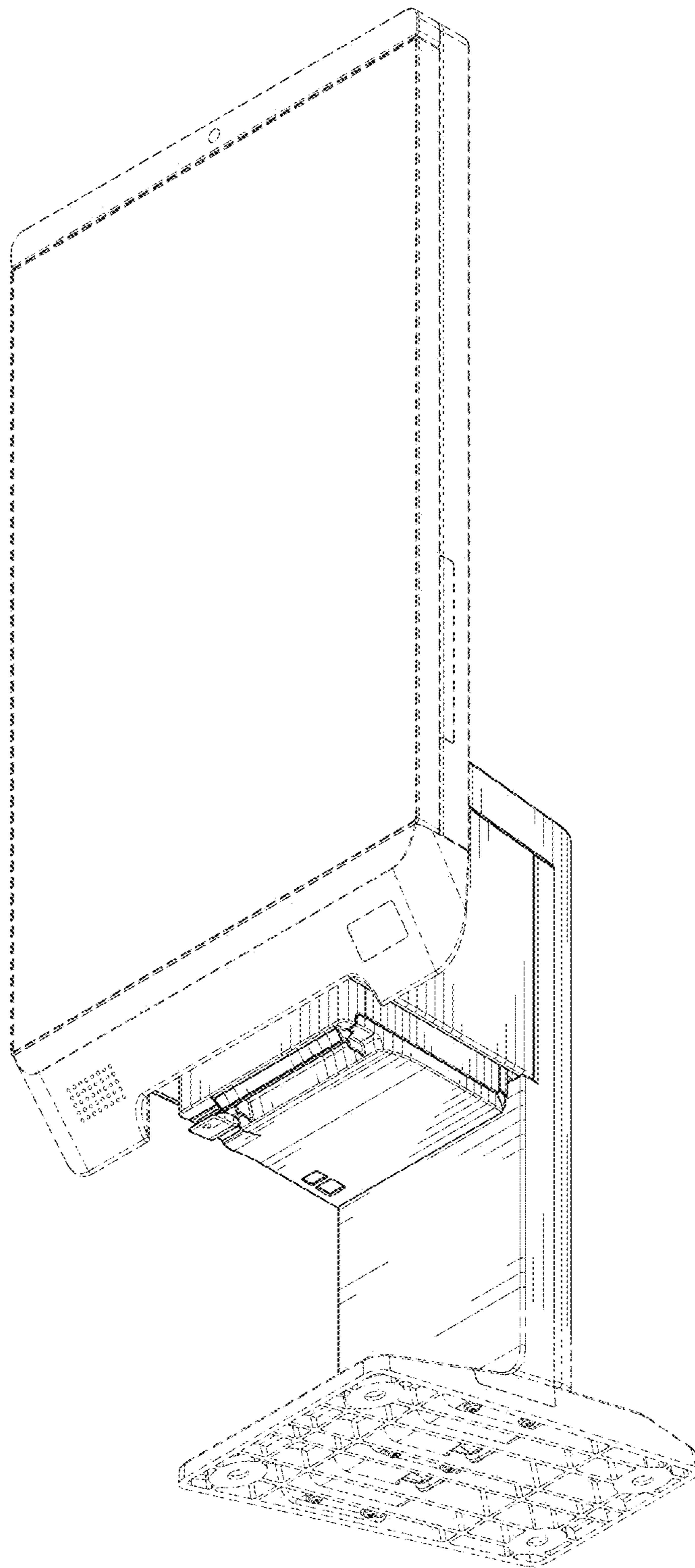


Fig. 8



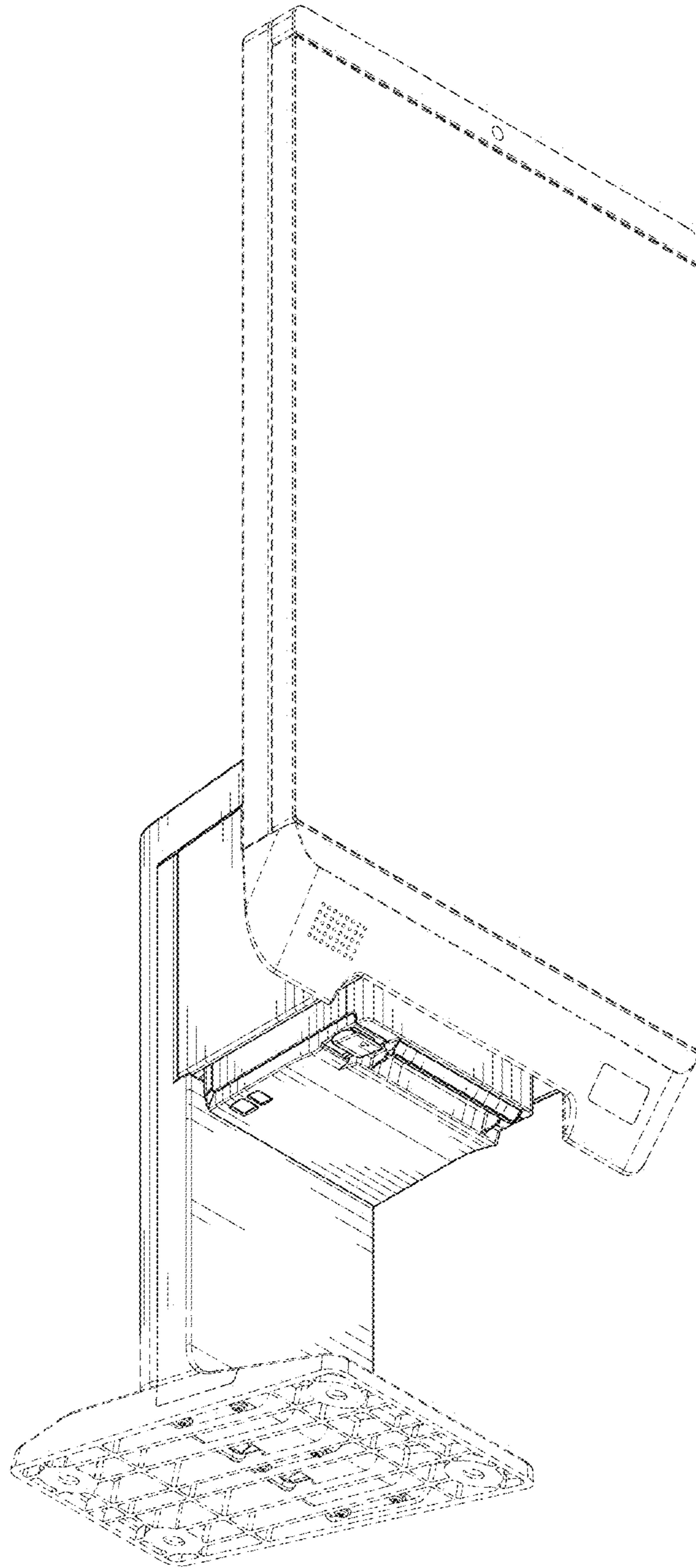


Fig. 9

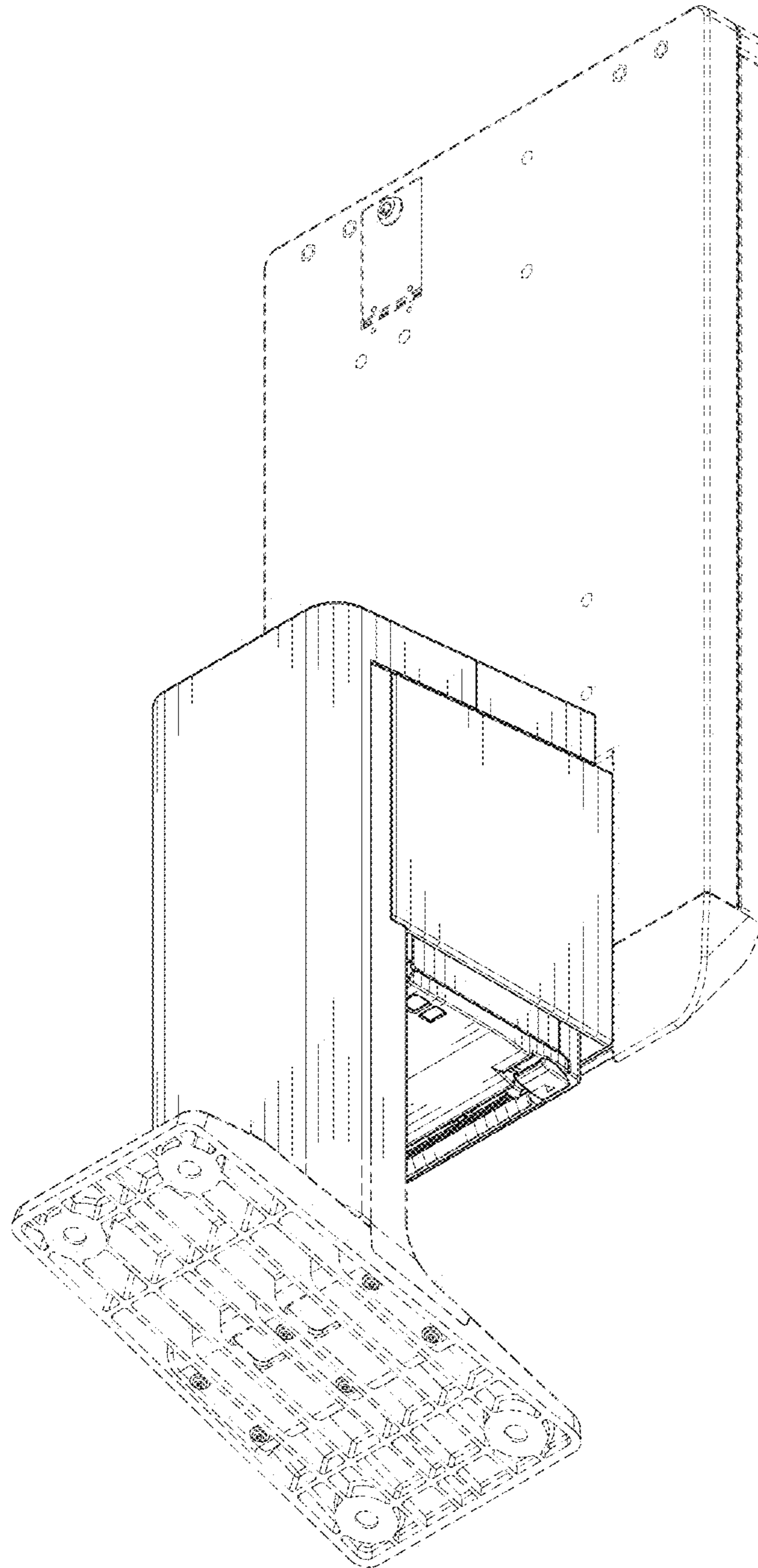


Fig. 10