



US00D922994S

(12) **United States Design Patent**  
**Shen**

(10) **Patent No.:** **US D922,994 S**

(45) **Date of Patent:** **\*\* Jun. 22, 2021**

(54) **COMPACT AND MOBILE DIGITAL PODIUM**

D900,089 S \* 10/2020 Harris ..... D14/307  
D902,296 S \* 11/2020 Cathala ..... D18/4.5  
D912,655 S \* 3/2021 Ahn ..... D14/307

(71) Applicant: **Pathway Innovations and Technologies, Inc.**, San Diego, CA (US)

(72) Inventor: **Ji Shen**, San Diego, CA (US)

(73) Assignee: **Pathway Innovations and Technologies, Inc.**, San Diego, CA (US)

(\*\*) Term: **15 Years**

(21) Appl. No.: **29/691,205**

(22) Filed: **May 14, 2019**

(51) **LOC (13) Cl.** ..... **14-02**

(52) **U.S. Cl.**  
USPC ..... **D14/307**

(58) **Field of Classification Search**  
USPC ..... D14/302-307, 900-902; D13/163;  
D20/10; D21/332, 325, 369, 370;  
D99/28; D6/397, 466; 194/206;  
361/679.01, 679.02, 679.04, 679.21,  
361/679.57, 725  
CPC ..... G06Q 20/18; G06Q 20/10; G06Q 20/123;  
G06Q 20/20; G06Q 30/02; G06Q 30/06;  
A47F 9/047

See application file for complete search history.

(56) **References Cited**

**U.S. PATENT DOCUMENTS**

D565,044 S \* 3/2008 Witts ..... D14/307  
D712,396 S \* 9/2014 Johnson ..... D14/307  
D829,704 S \* 10/2018 Oross ..... D14/307  
D842,296 S \* 3/2019 Oross ..... D14/307  
D853,378 S \* 7/2019 Vaananen ..... D14/307  
D861,778 S \* 10/2019 Day ..... D18/4.4

**OTHER PUBLICATIONS**

Elmo USA, Elmousa.com, Elmo Document Cameras, (Oct. 24, 2019), Syosset, NY, US available at <https://www.elmousa.com/all-products/>.

Tecom Electronics Ltd, Tecpodium.com, TecPodium Products, (Oct. 24, 2019), Orlando, FL, US available at <http://www.tecpodium.com/prime.aspx>.

(Continued)

*Primary Examiner* — Austin Murphy

(74) *Attorney, Agent, or Firm* — Insigne PC

(57) **CLAIM**

I claim the ornamental design for a compact and mobile digital podium, as shown and described.

**DESCRIPTION**

FIG. 1 is a perspective view of a digital podium according to an embodiment of the invention.

FIG. 2 is a front view of a compact and mobile digital podium according to a second embodiment thereof.

FIG. 3 is a rear view of a compact and mobile digital podium according to a third embodiment thereof.

FIG. 4 is a left view of a compact and mobile digital podium according to a fourth embodiment thereof.

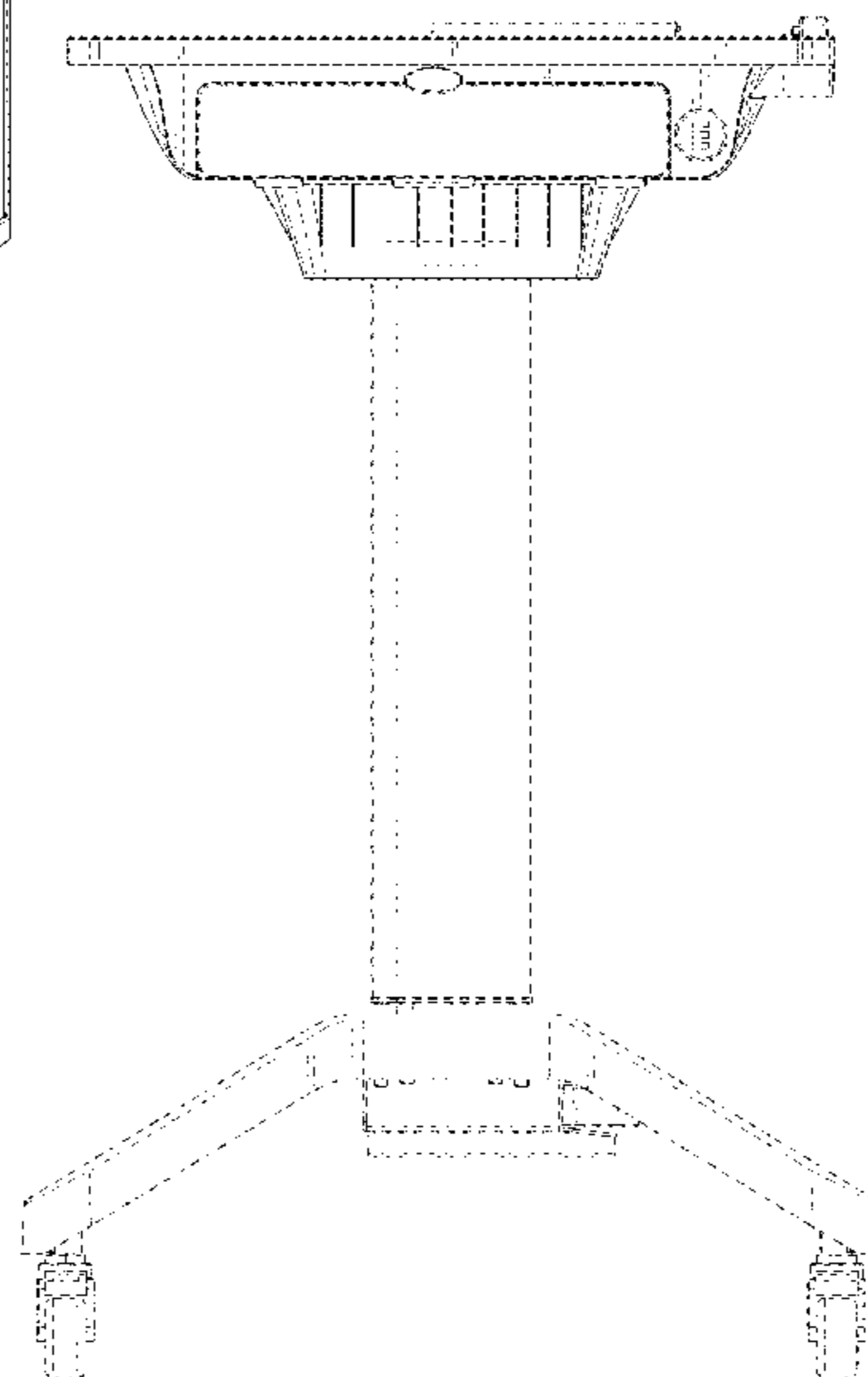
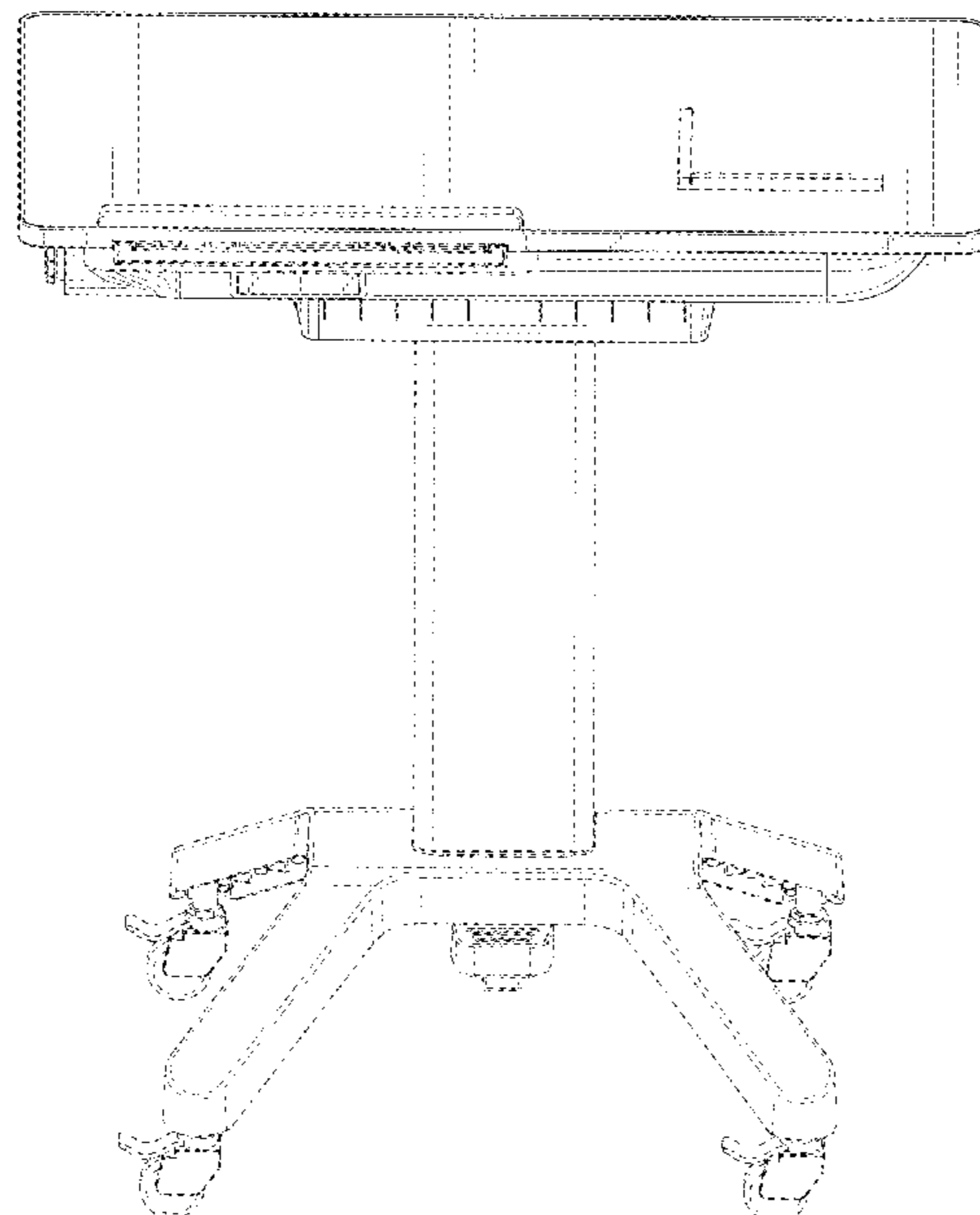
FIG. 5 is a right view of a compact and mobile digital podium according to a fifth embodiment thereof.

FIG. 6 is a top view of a compact and mobile digital podium according to a sixth embodiment thereof; and,

FIG. 7 is a bottom view of a compact and mobile digital podium according to a seventh embodiment thereof.

The dashed lines in the figures form no part of the inventive design.

**1 Claim, 7 Drawing Sheets**



(56)

**References Cited**

OTHER PUBLICATIONS

Smartmedia USA, Smartmediaworld.net, Smartmedia Products, (Oct. 24, 2019), Miami, FL, US available at <http://www.smartmediaworld.net/products/interactive-digital-podium-lectern-kiosk.html>.  
EDU Assessment PVT., Podiums.co.in, Edu Assessment Pvt. Ltd. Products, (Oct. 24, 2019), Dwarka Mor, New Delhi, IN available at <https://www.podiums.co.in/index.html#products>.

\* cited by examiner

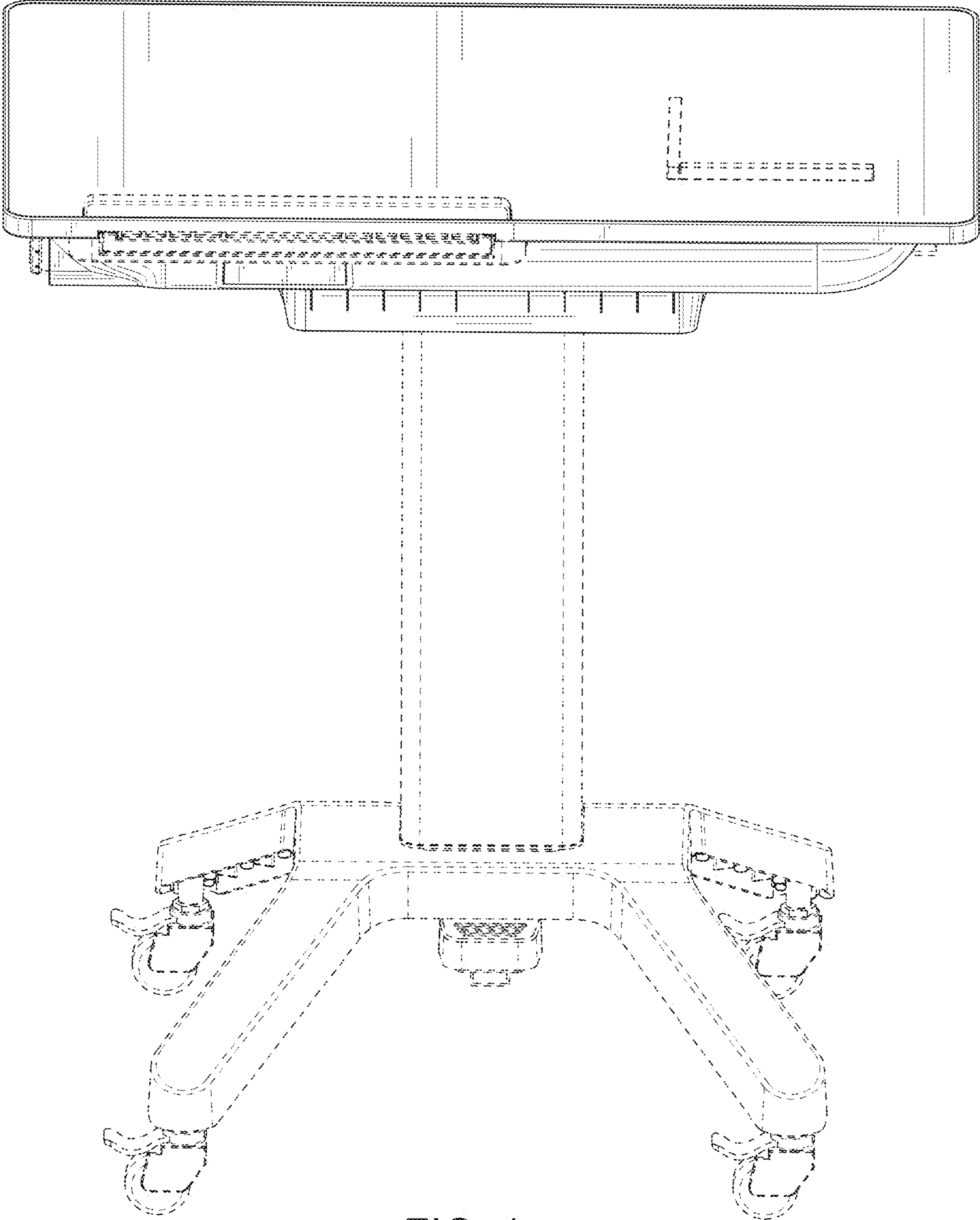


FIG. 1

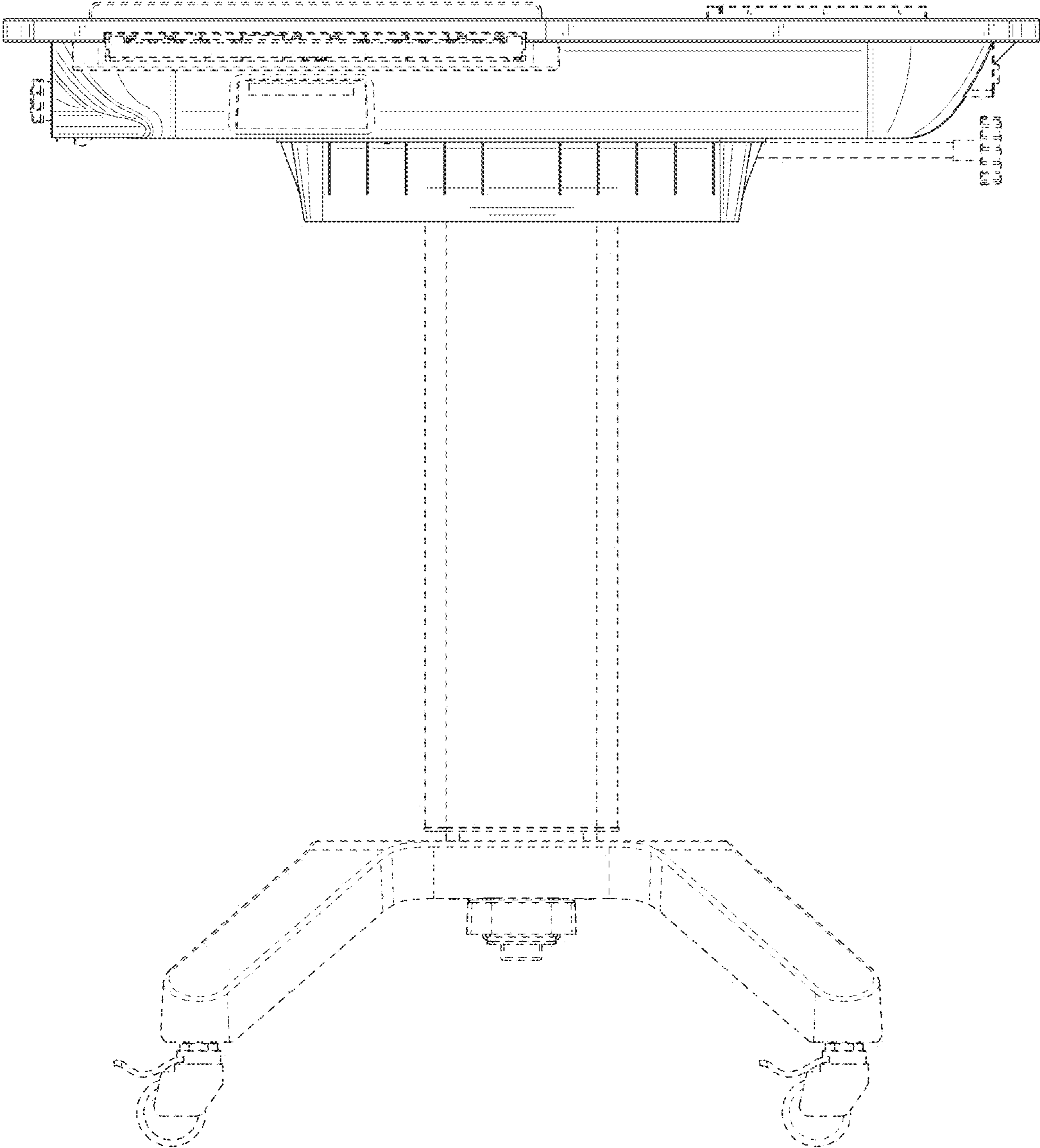


FIG. 2

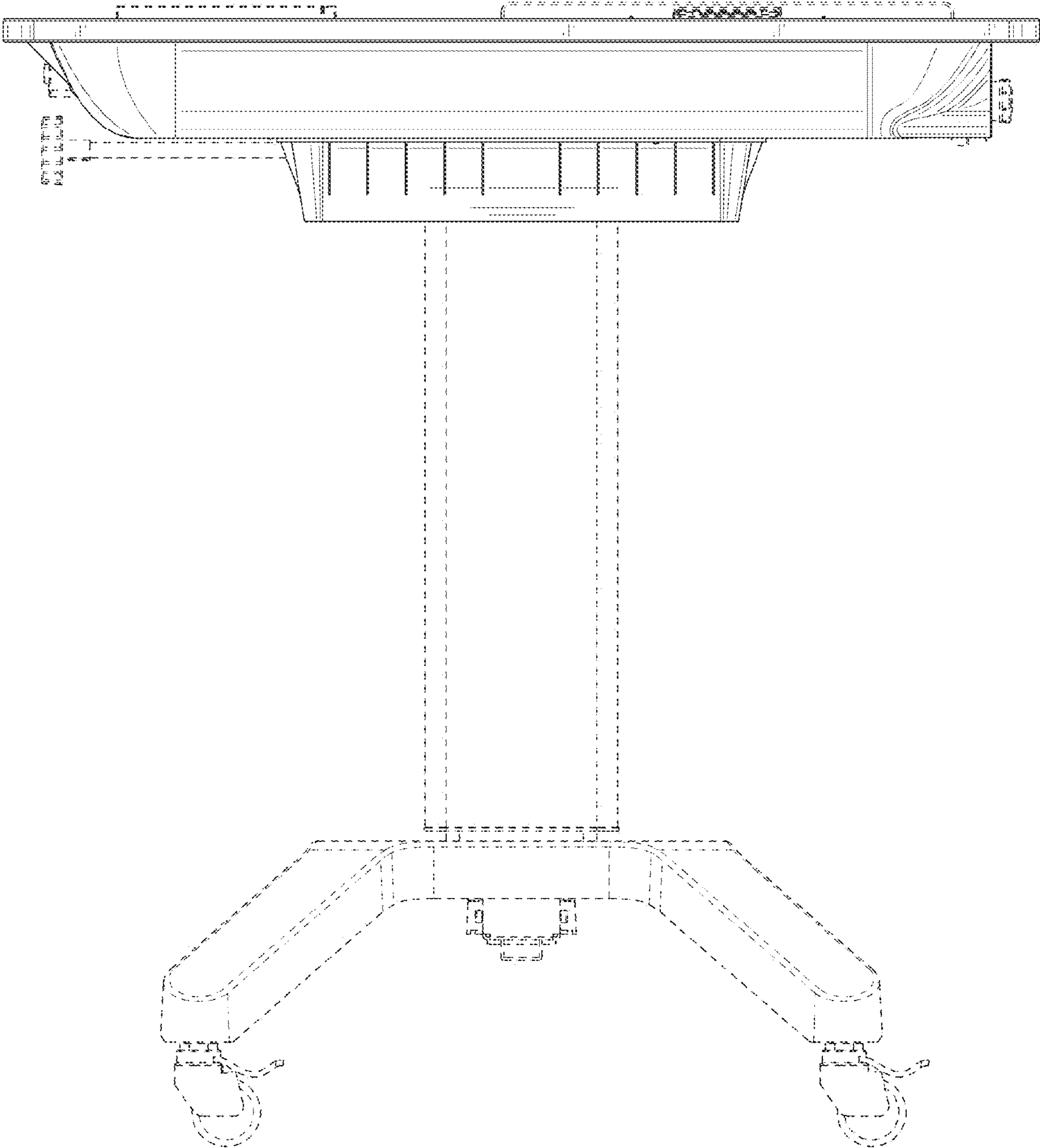


FIG. 3

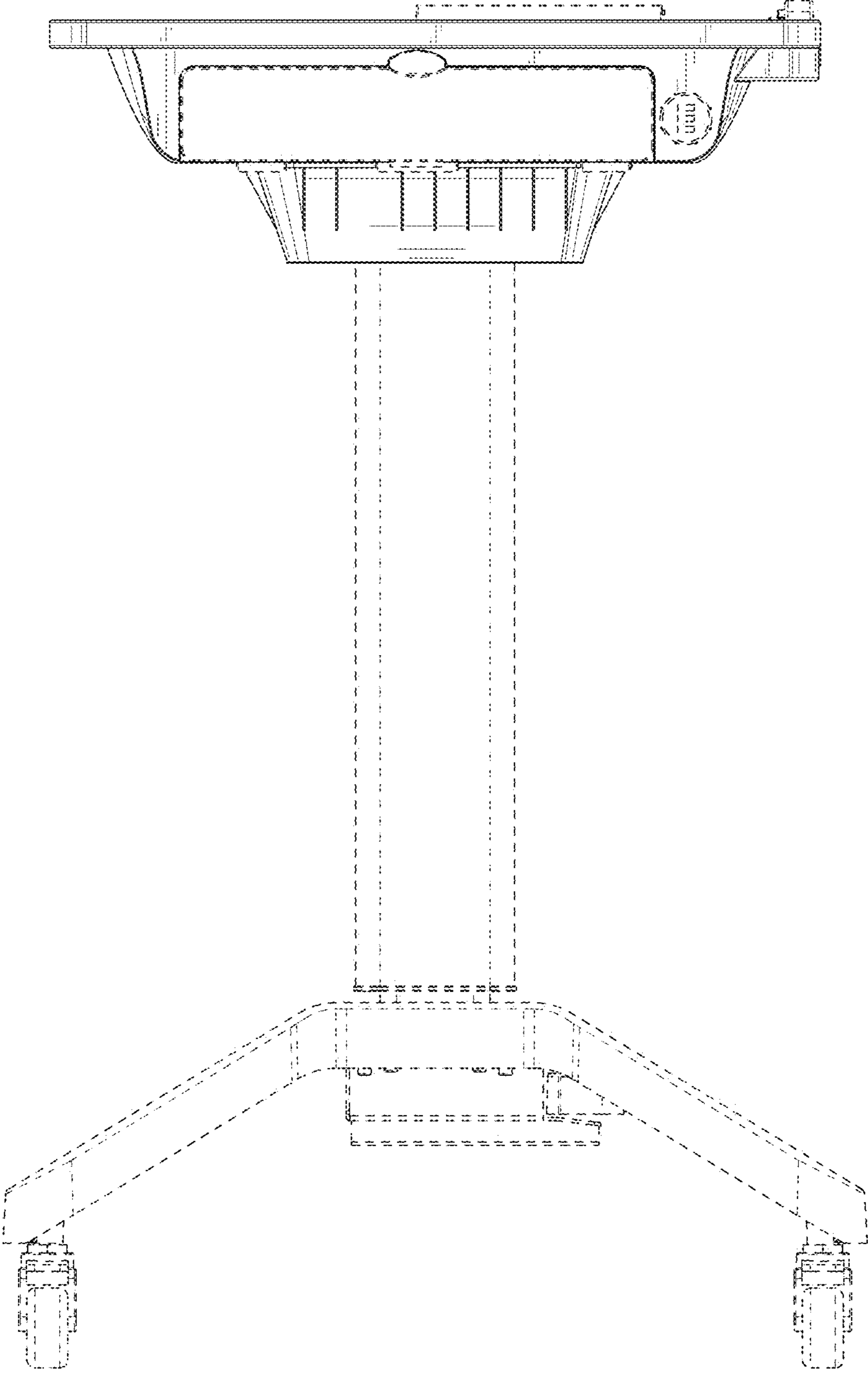


FIG. 4

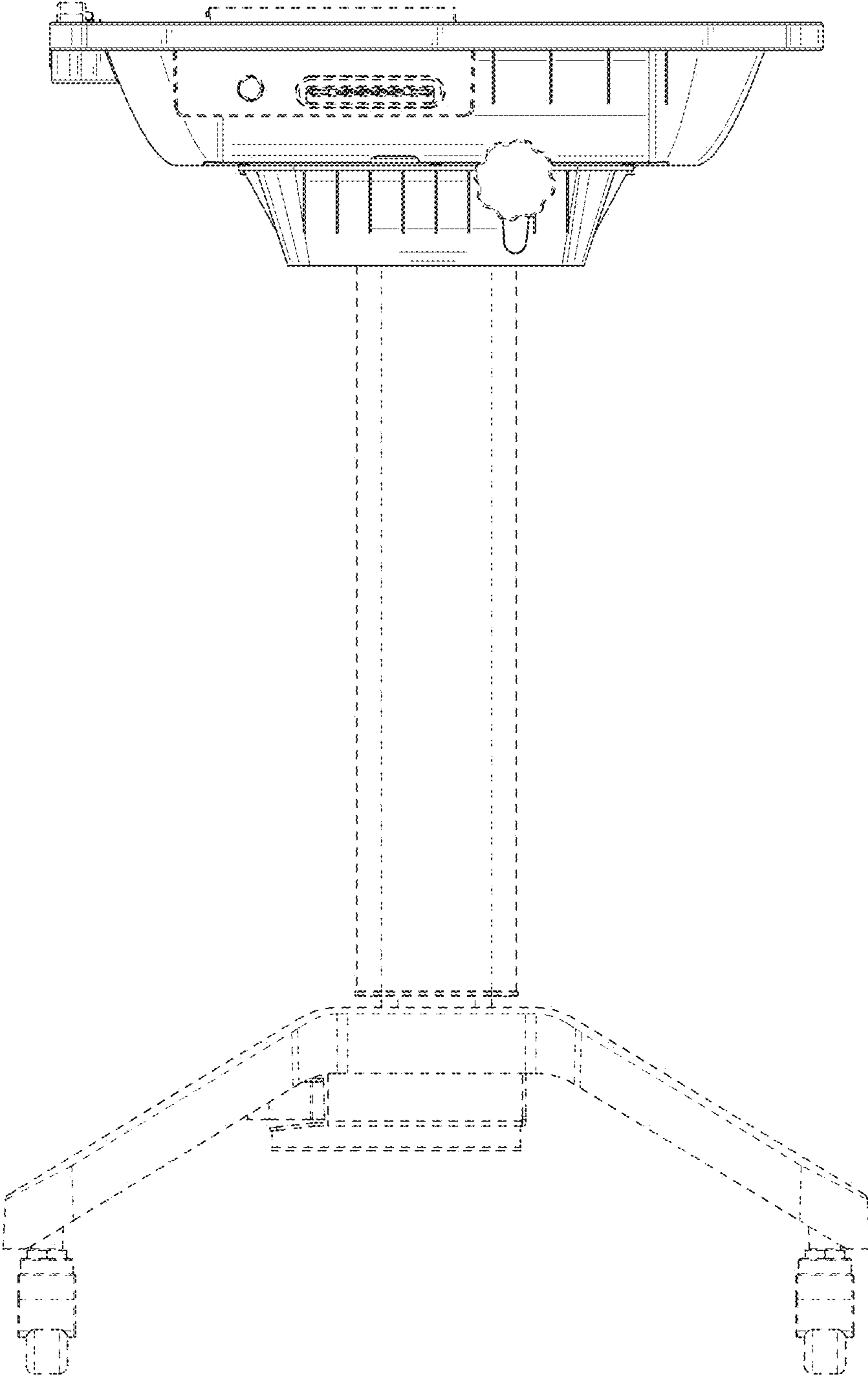


FIG. 5

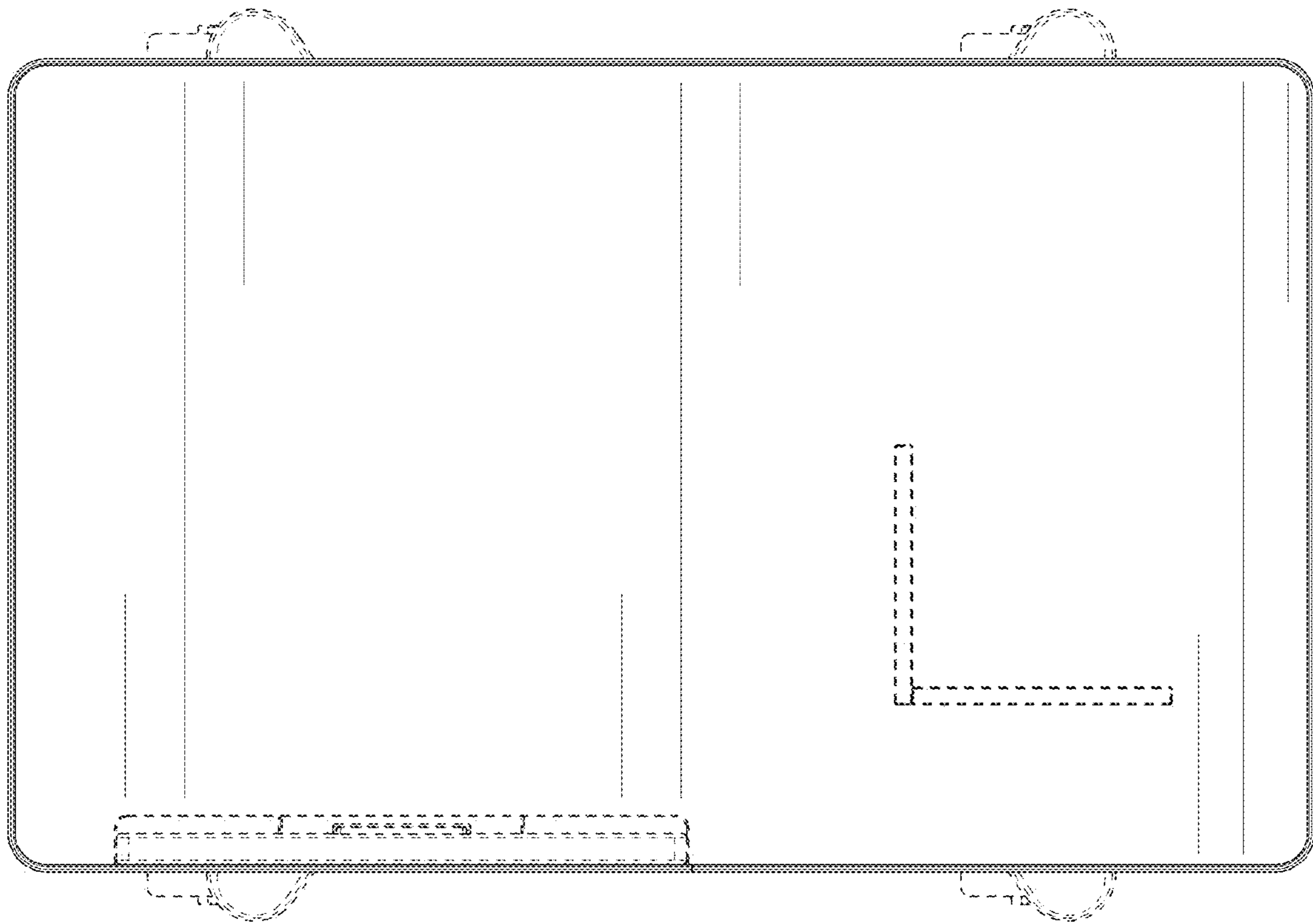


FIG. 6



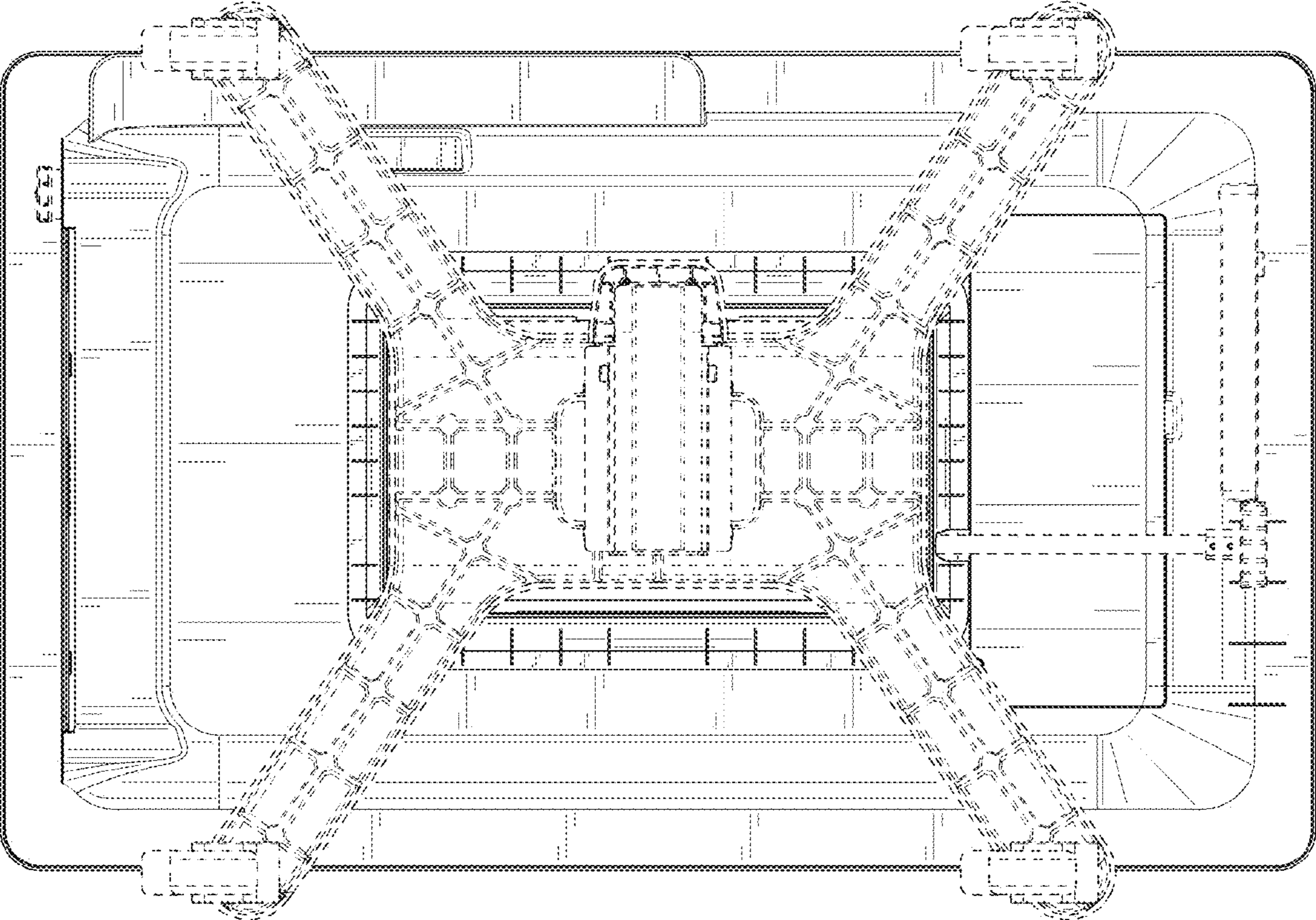


FIG. 7