



US00D922993S

(12) **United States Design Patent** (10) **Patent No.:** **US D922,993 S**  
**Chung et al.** (45) **Date of Patent:** **\*\* Jun. 22, 2021**

(54) **PROTECTIVE CASE**

FOREIGN PATENT DOCUMENTS

(71) Applicant: **PEGATRON CORPORATION**, Taipei (TW)

CN 206533648 9/2017  
KR 101316363 10/2013  
TW M465595 11/2013

(72) Inventors: **Chih-Cheng Chung**, Taipei (TW);  
**Hsiao-Cheng Chen**, Taipei (TW);  
**Cheng-Yi Lee**, Taipei (TW)

OTHER PUBLICATIONS

“Search Report of Europe Counterpart Application”, issued on Jun. 11, 2019, pp. 1-7.

(73) Assignee: **PEGATRON CORPORATION**, Taipei (TW)

(Continued)

(\*\*) Term: **15 Years**

*Primary Examiner* — Mojtaba Tehrani

(21) Appl. No.: **29/659,404**

(74) *Attorney, Agent, or Firm* — J.C. Patents

(22) Filed: **Aug. 8, 2018**

(57) **CLAIM**

(30) **Foreign Application Priority Data**

The ornamental design for a protective case, as shown and described.

Mar. 8, 2018 (TW) ..... 107301350

(51) **LOC (13) Cl.** ..... **14-03**

**DESCRIPTION**

(52) **U.S. Cl.**

USPC ..... **D14/250**; D3/218

(58) **Field of Classification Search**

USPC .... D14/217, 238.1, 240, 248, 250, 251–253,  
D14/439, 440, 447; D13/107–108, 103,  
D13/119; D3/201, 218, 247, 269, 273,  
D3/301, 303

CPC ..... H04B 1/3888; H04M 1/0283; H04M  
1/0202; A45C 1/06; A45C 11/00; A45C  
13/02; A45C 2011/002; A45F 2005/026;  
A45F 2200/0525; A45F 2200/0516

See application file for complete search history.

FIG. 1 is a perspective view of a protective case showing our new design;  
FIG. 2 is a front view thereof;  
FIG. 3 is a rear view thereof;  
FIG. 4 is a left side view thereof;  
FIG. 5 is a right side view thereof;  
FIG. 6 is a top view thereof;  
FIG. 7 is a bottom view thereof;  
FIG. 8 is an enlarged view of the portion, labeled ‘8’ of the protective case in FIG. 4;  
FIG. 9 is an enlarged view of the portion, labeled ‘9’ of the protective case in FIG. 5;  
FIG. 10 is another perspective view thereof;  
FIG. 11 is still another perspective view thereof; and,  
FIG. 12 is yet another perspective view thereof.

(56) **References Cited**

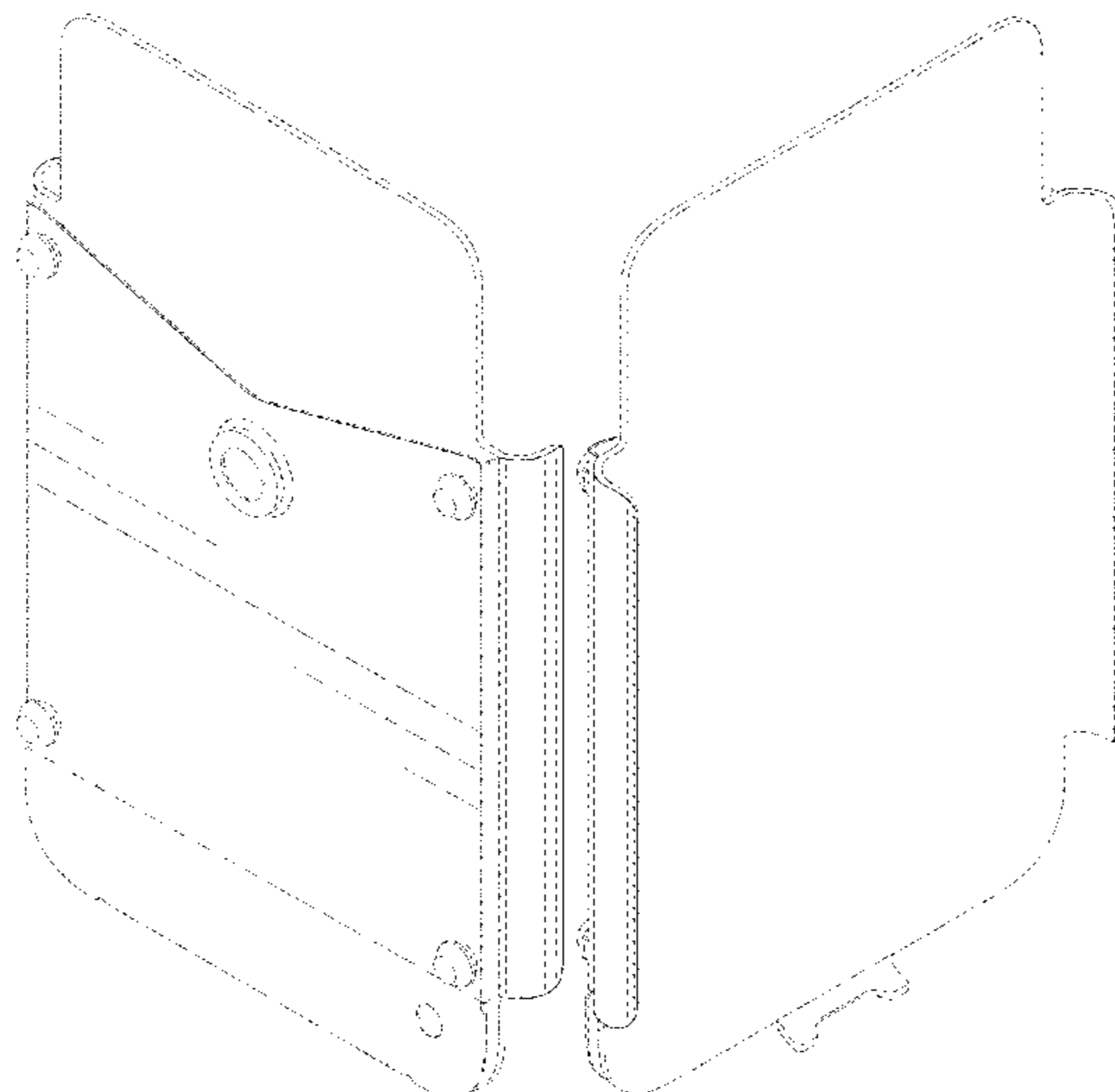
U.S. PATENT DOCUMENTS

D308,870 S \* 6/1990 Rioux, Jr. .... D14/251  
D317,157 S \* 5/1991 Jondelius ..... D14/253  
D321,885 S \* 11/1991 Shelrake ..... D14/253  
D359,288 S \* 6/1995 Underwood ..... D14/244  
D378,366 S \* 3/1997 Nagele ..... D13/103

The dashed broken lines illustrate portions of the protective case and form no part of the claimed design. The dot-dash lines define the boundaries of the claimed design and form no part thereof.

(Continued)

**1 Claim, 11 Drawing Sheets**



(56)

References Cited

U.S. PATENT DOCUMENTS

D503,532 S \* 4/2005 Andre ..... D3/218  
 D586,795 S \* 2/2009 Richter ..... D14/253  
 D609,901 S \* 2/2010 Behar ..... D3/218  
 D610,579 S \* 2/2010 Behar ..... D14/250  
 D616,360 S \* 5/2010 Huang ..... D13/103  
 D616,430 S \* 5/2010 Fathollahi ..... D14/250  
 D639,731 S \* 6/2011 Sun ..... D13/103  
 D665,809 S \* 8/2012 Wang ..... D14/439  
 D676,854 S \* 2/2013 Hsu ..... D14/447  
 D683,700 S \* 6/2013 Ferrari ..... D13/119  
 D685,739 S \* 7/2013 Moore ..... D13/119  
 D690,703 S \* 10/2013 Welch ..... D14/440  
 D698,769 S \* 2/2014 Park ..... D14/248  
 D705,229 S \* 5/2014 Wengreen ..... D14/434  
 D721,074 S \* 1/2015 Harris ..... D14/253  
 D721,688 S \* 1/2015 Du ..... D14/250  
 D724,537 S \* 3/2015 Moore ..... D13/119  
 D743,402 S \* 11/2015 Ehara ..... D14/439  
 D743,403 S \* 11/2015 Ehara ..... D14/439  
 D743,404 S \* 11/2015 Ignomirello ..... D14/439  
 D749,549 S \* 2/2016 Wengreen ..... D14/238.1  
 D749,593 S \* 2/2016 Kwak ..... D14/440  
 D750,633 S \* 3/2016 Minn ..... D14/447

D754,111 S \* 4/2016 Kwak ..... D14/240  
 D756,983 S \* 5/2016 Karlsson ..... D14/250  
 D761,236 S \* 7/2016 Wengreen ..... D14/238.1  
 D772,217 S \* 11/2016 Alesi ..... D14/253  
 D794,624 S \* 8/2017 Fernandes ..... D14/250  
 D815,100 S \* 4/2018 Burmester ..... D14/440  
 D843,935 S \* 3/2019 Luo ..... D13/103  
 D854,311 S \* 7/2019 Burns ..... D3/215  
 D854,314 S \* 7/2019 Burns ..... D3/218  
 D854,546 S \* 7/2019 Mecchella ..... D14/440  
 D857,378 S \* 8/2019 Cadogan ..... D3/218  
 D869,150 S \* 12/2019 Breitner ..... D3/218  
 D900,117 S \* 10/2020 Soto ..... D14/447  
 D906,095 S \* 12/2020 DeDios-Shirley ..... D8/354  
 D907,020 S \* 1/2021 Han ..... D14/250  
 D908,684 S \* 1/2021 Coverstone ..... D14/250  
 2017/0104854 A1 4/2017 Park  
 2017/0135234 A1 5/2017 Kim  
 2019/0386696 A1\* 12/2019 Luo ..... H04M 1/0237  
 2019/0386697 A1\* 12/2019 Luo ..... H04M 1/185

OTHER PUBLICATIONS

“Office Action of Europe Counterpart Application”, dated Apr. 30, 2020, p. 1-p. 6.

\* cited by examiner

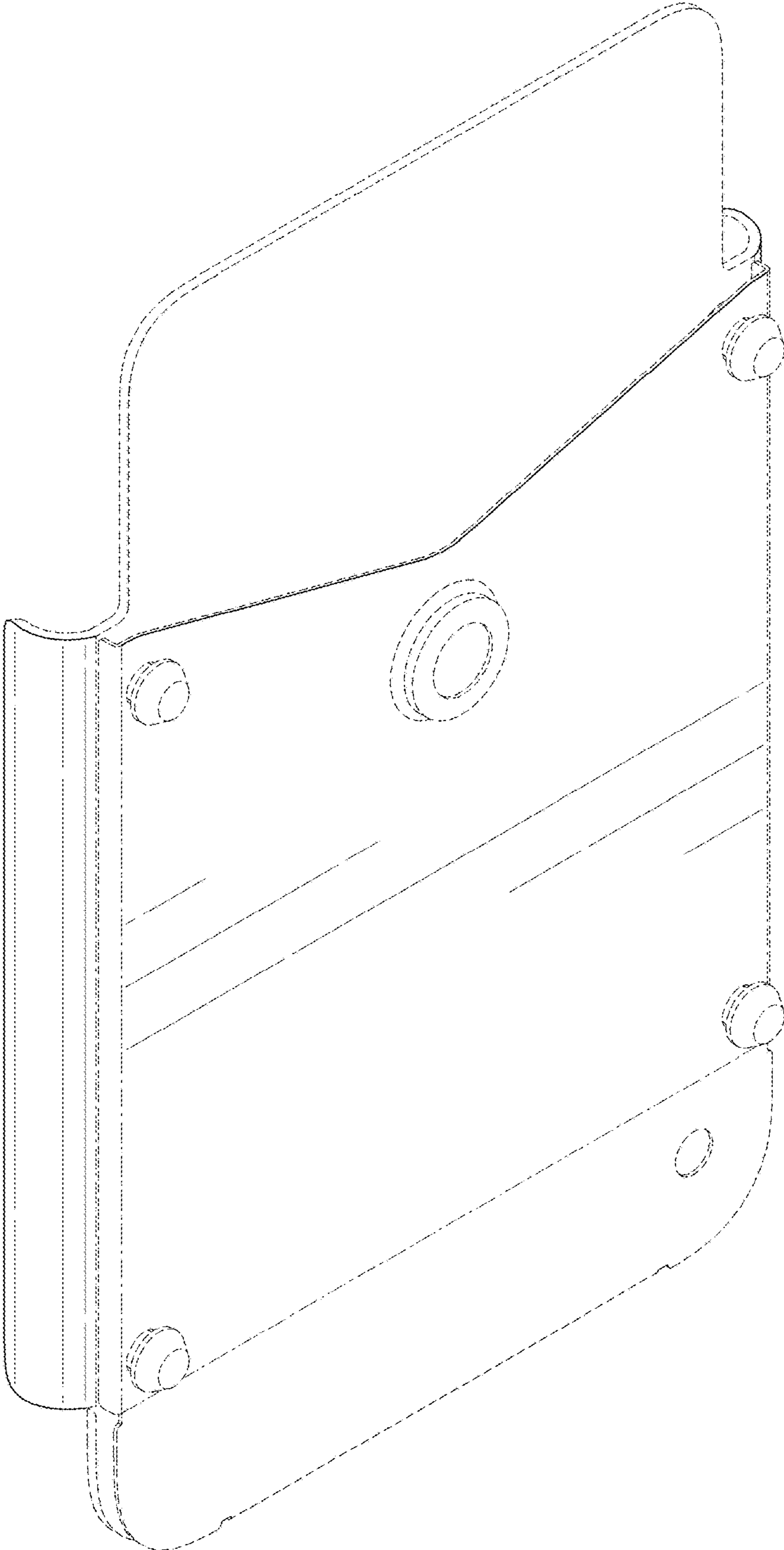


FIG. 1

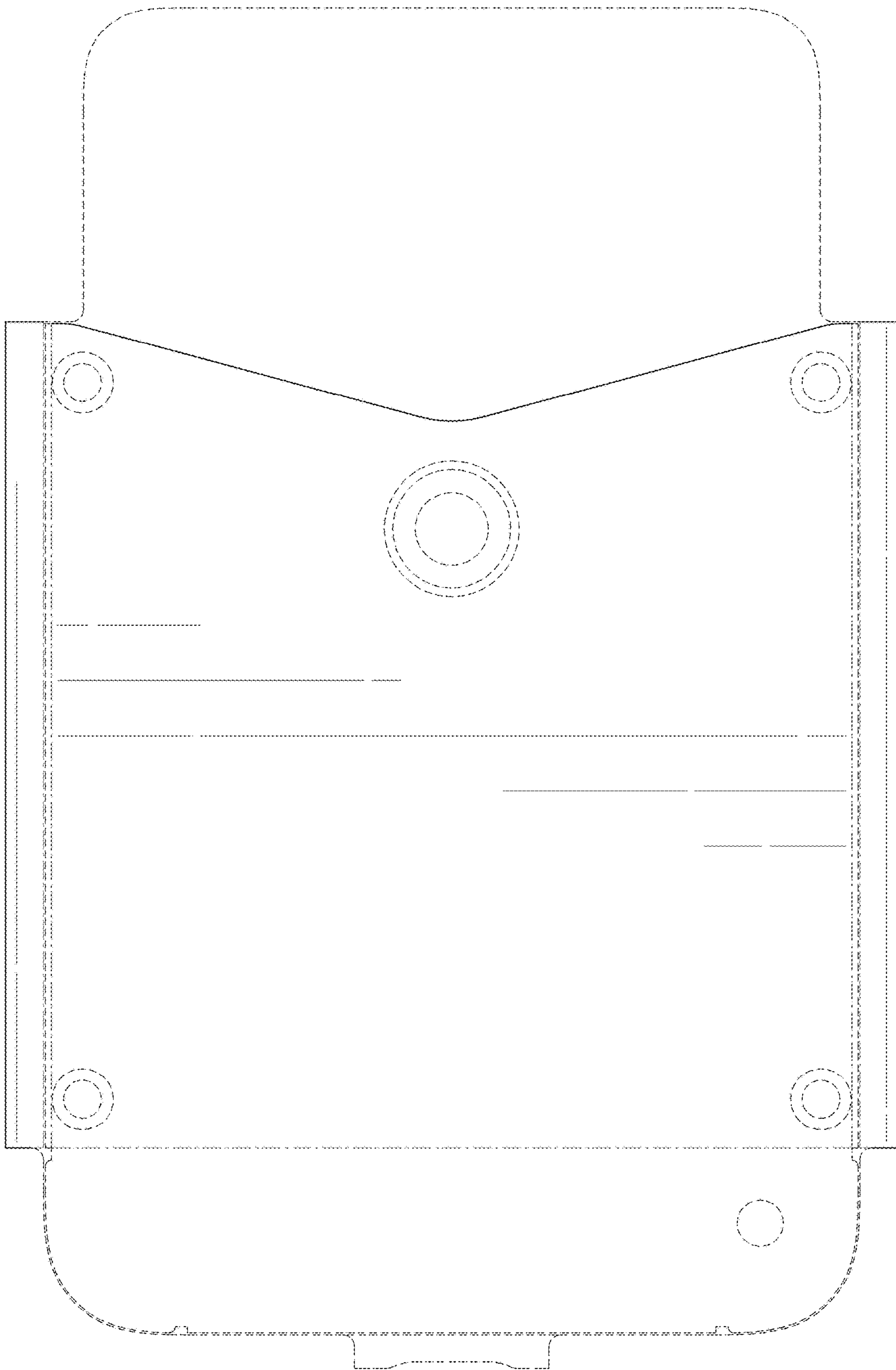


FIG. 2

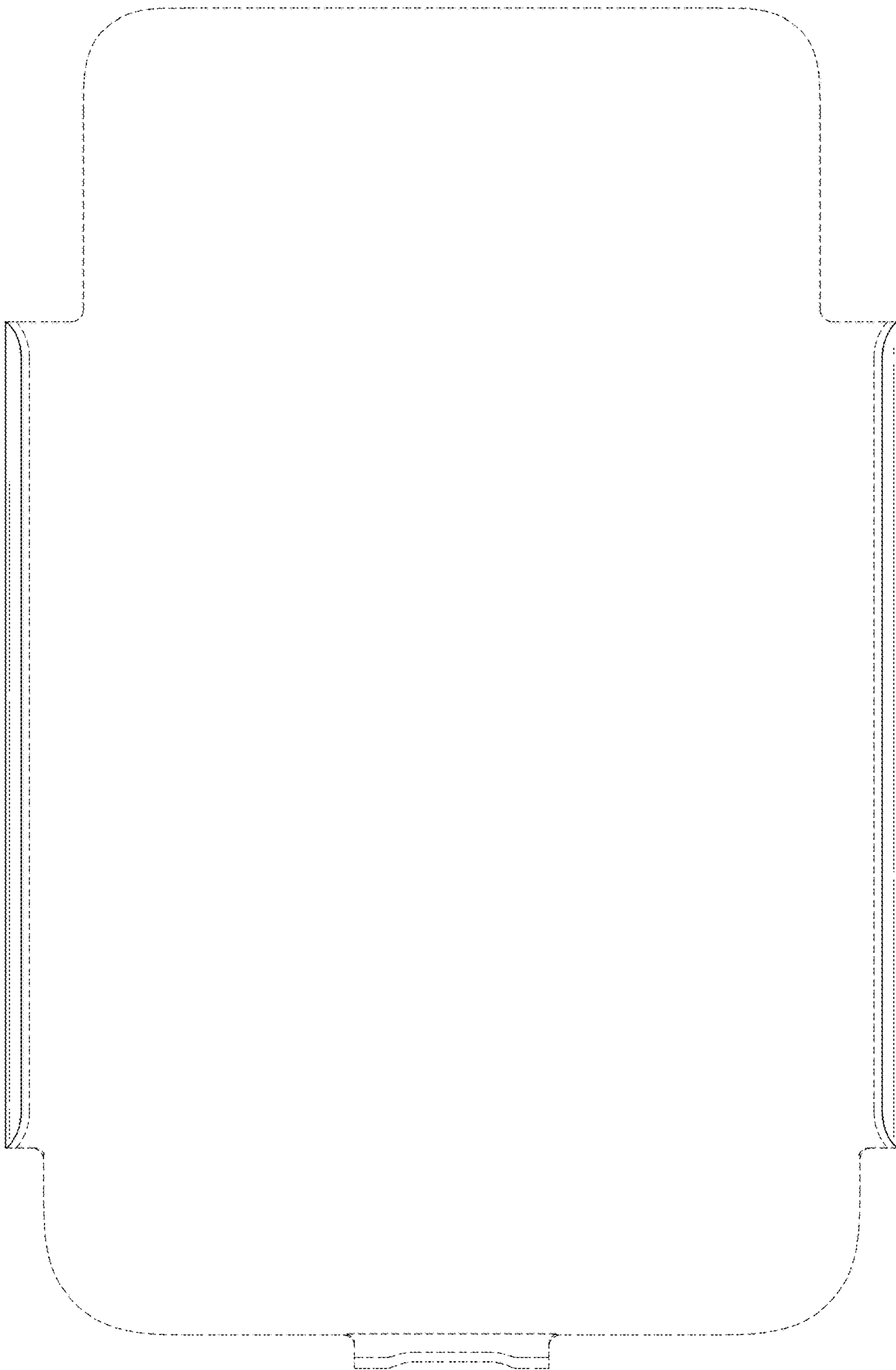


FIG. 3



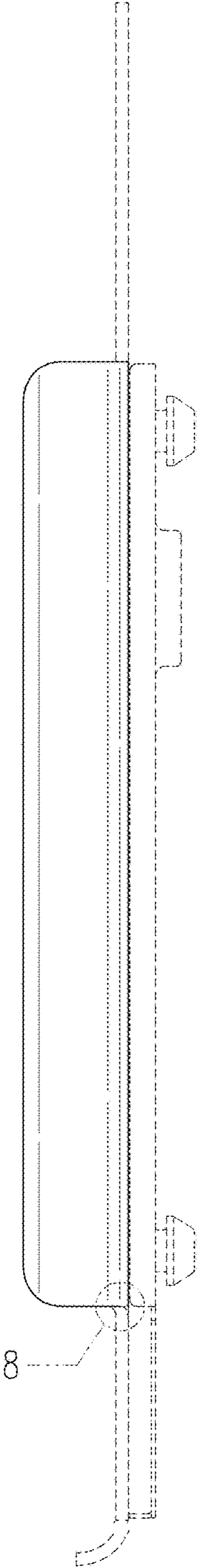


FIG. 4

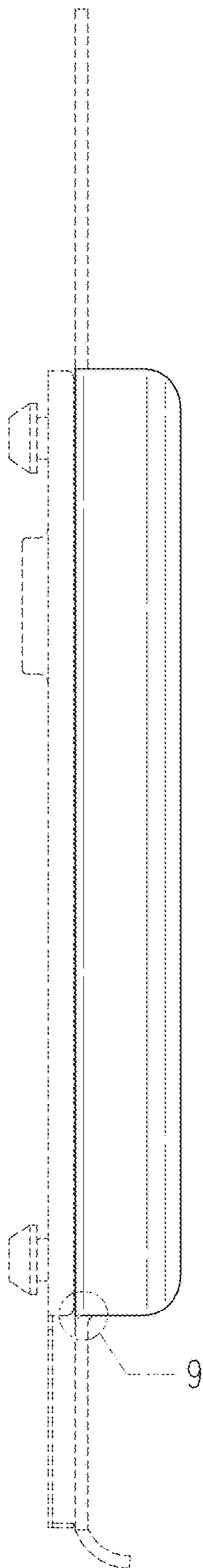


FIG. 5

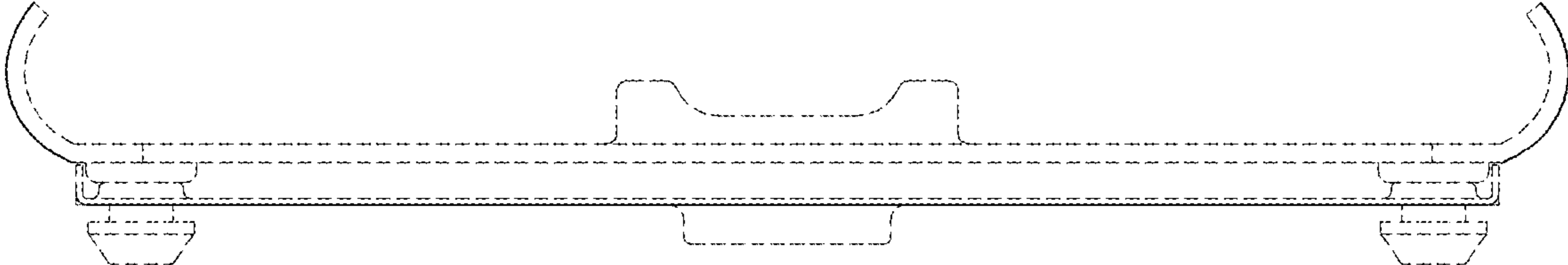


FIG. 6

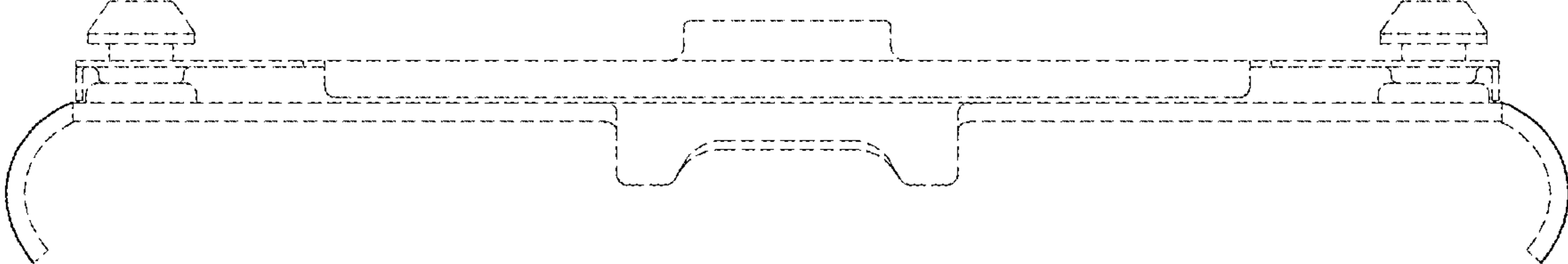


FIG. 7



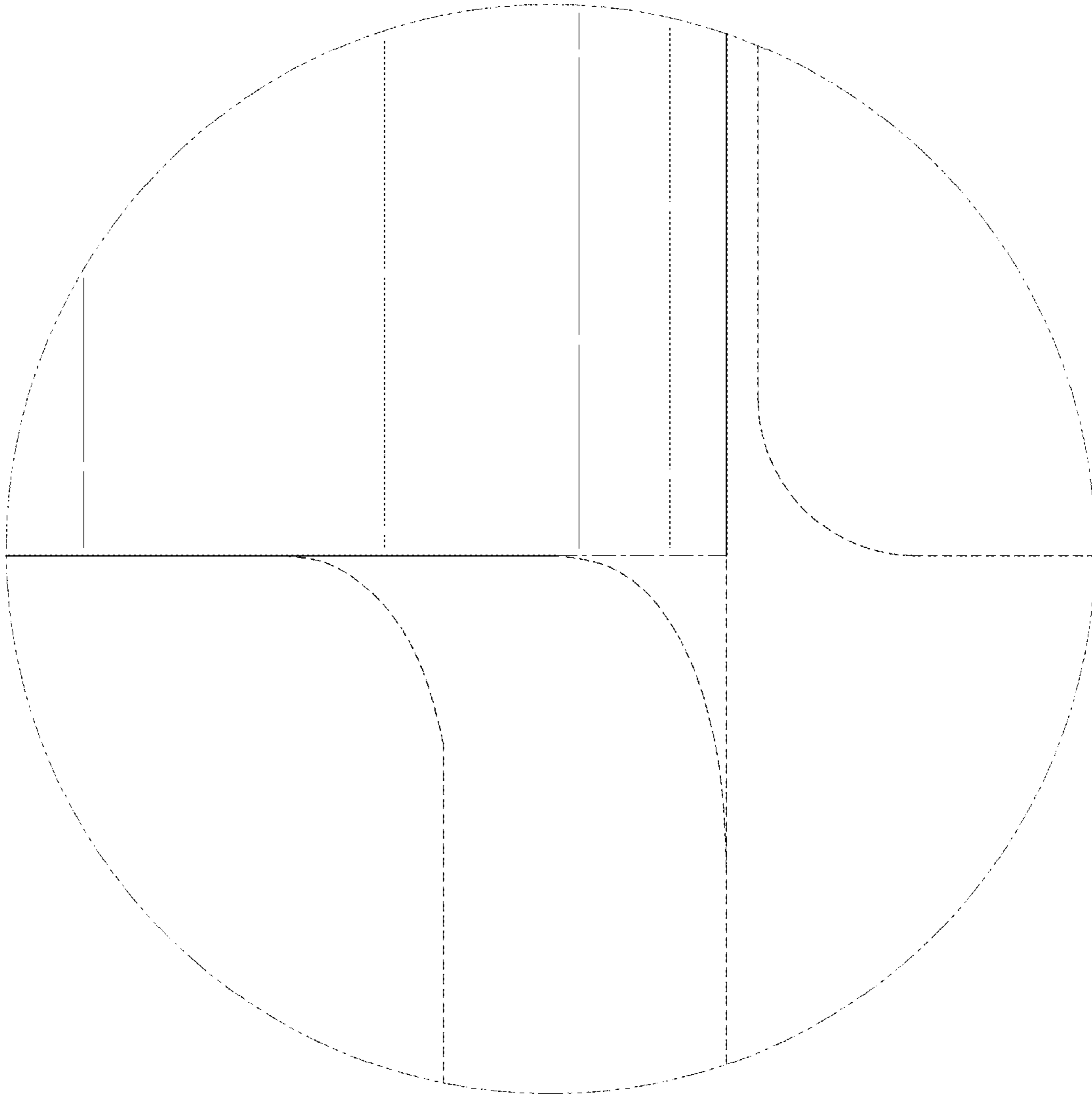


FIG. 8

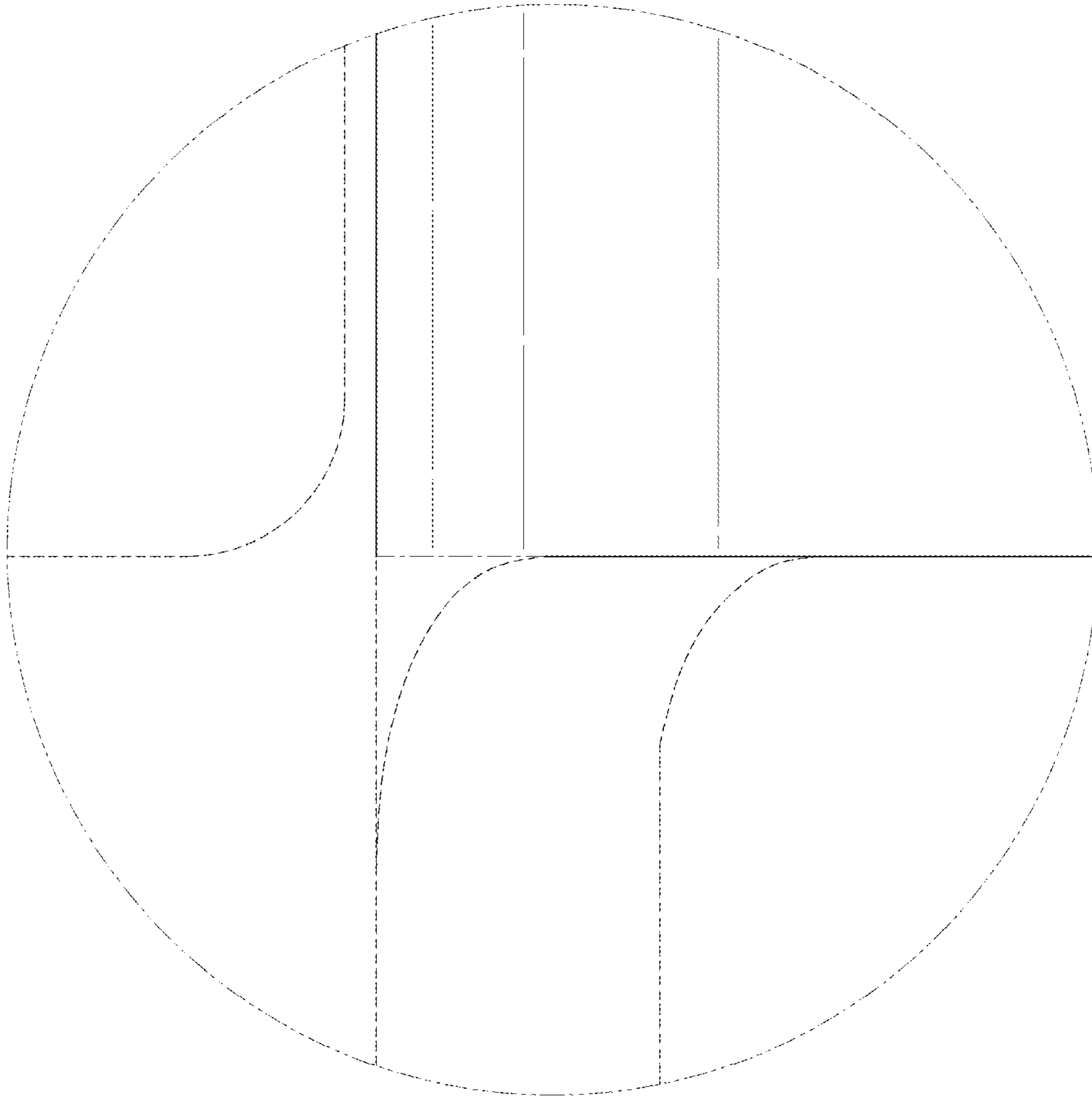


FIG. 9

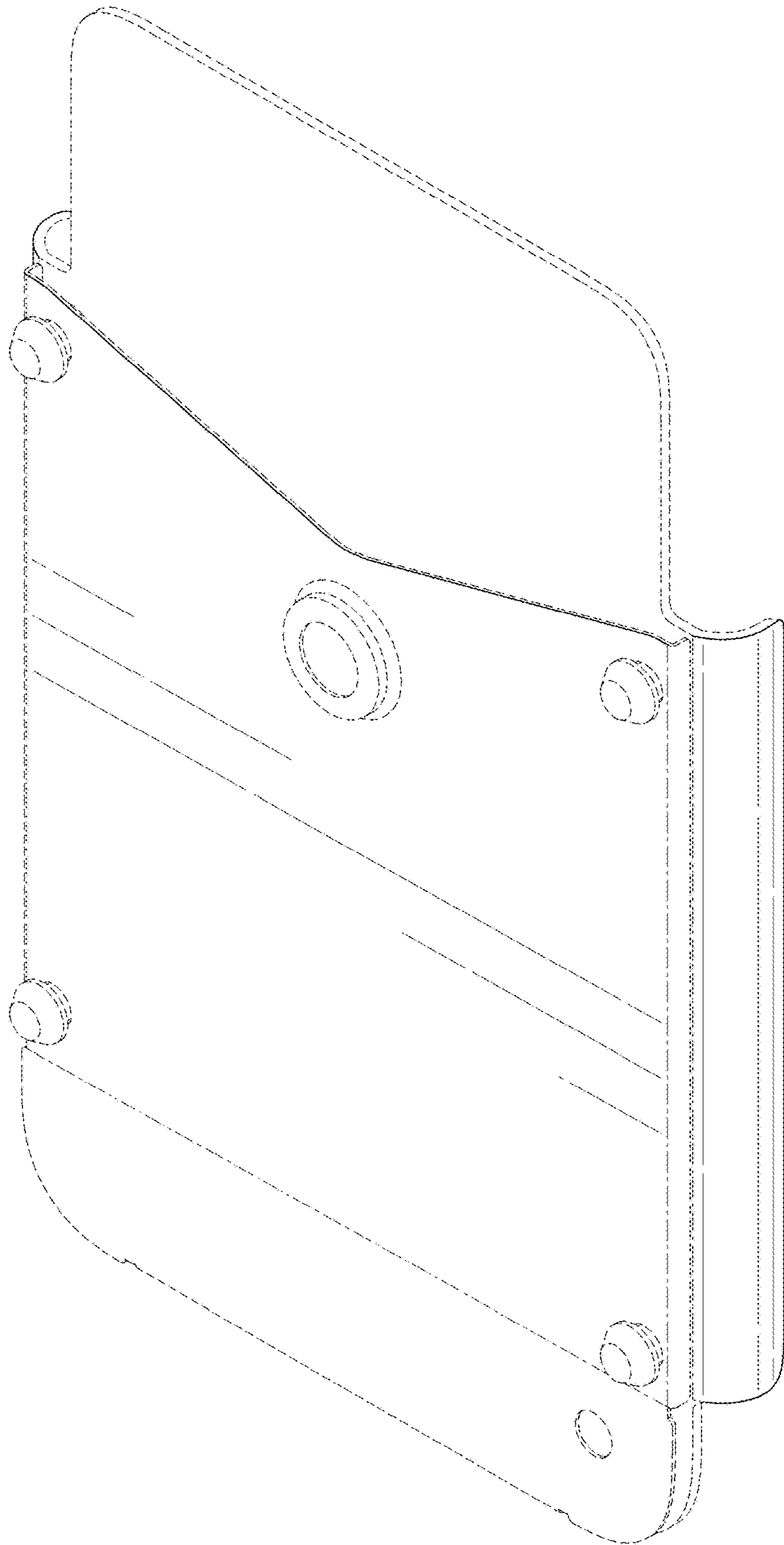


FIG. 10

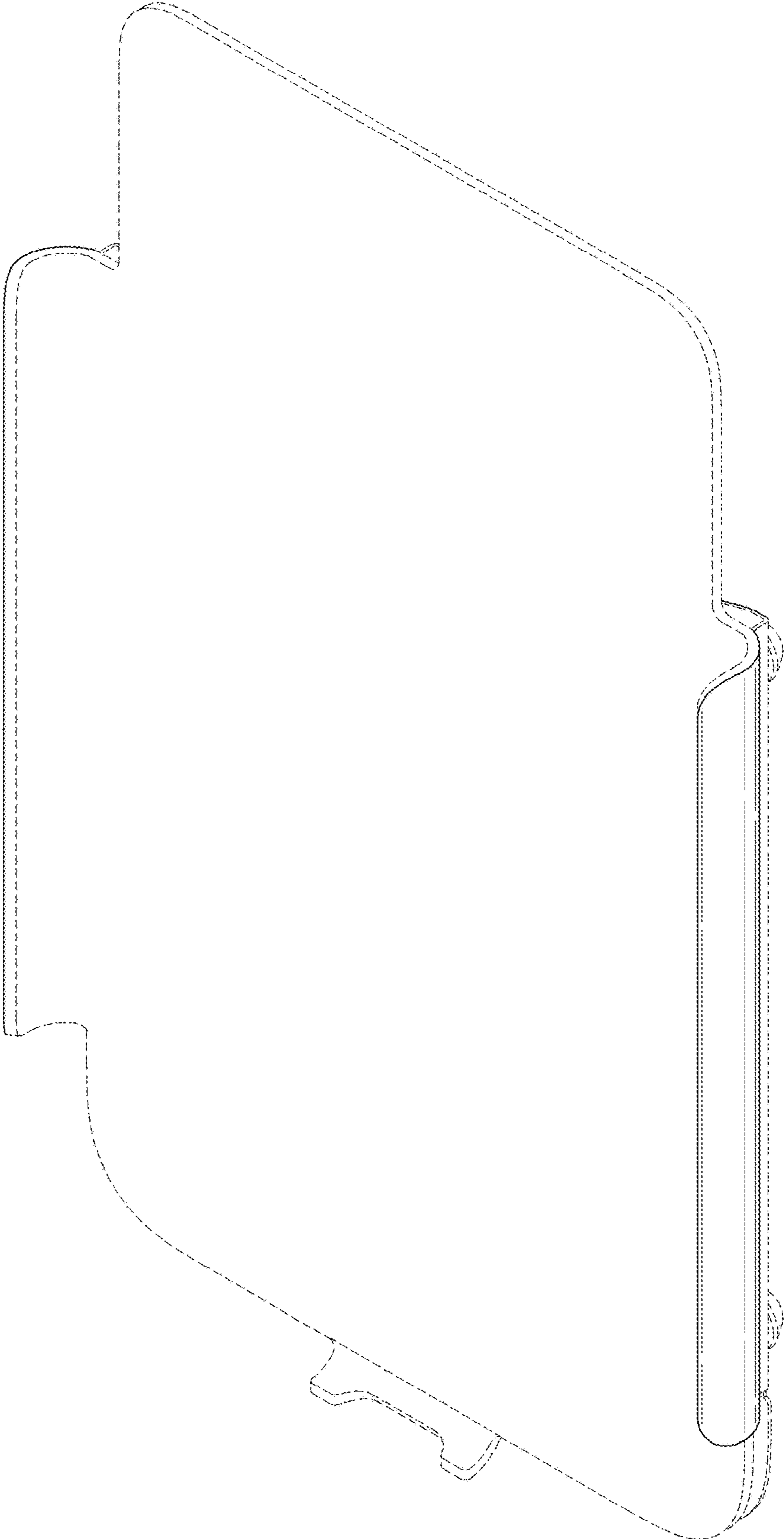


FIG. 11

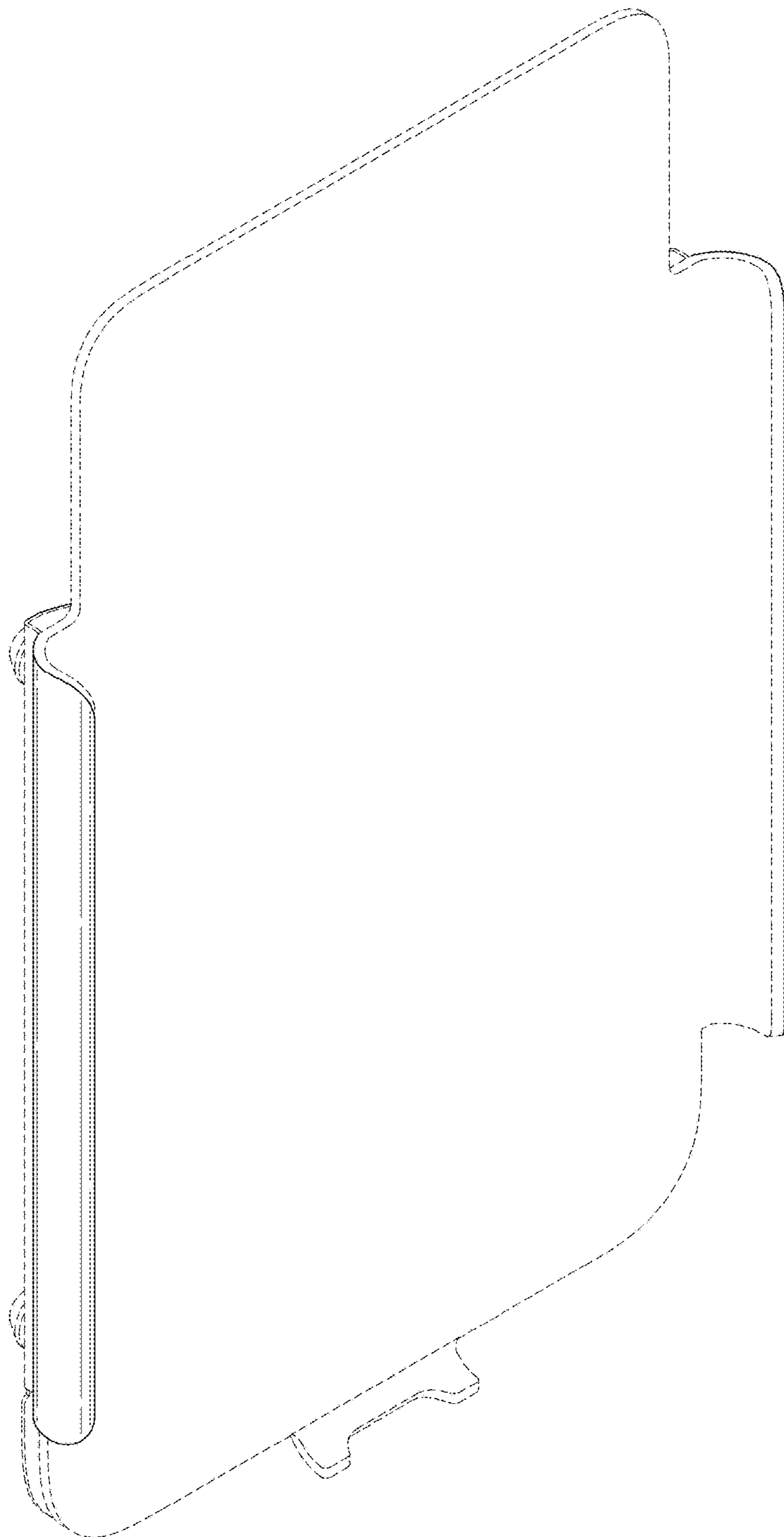


FIG. 12