



US00D922991S

(12) **United States Design Patent** (10) **Patent No.:** **US D922,991 S**  
**Seo** (45) **Date of Patent:** **\*\* Jun. 22, 2021**

(54) **ELECTRONIC DEVICE**

(71) Applicant: **Samsung Electronics Co., Ltd.**,  
Suwon-si (KR)

(72) Inventor: **Jaehun Seo**, Suwon-si (KR)

(73) Assignee: **SAMSUNG ELECTRONICS CO., LTD.**,  
Suwon-si (KR)

(\*\*) Term: **15 Years**

(21) Appl. No.: **29/701,569**

(22) Filed: **Aug. 13, 2019**

(30) **Foreign Application Priority Data**

Feb. 22, 2019 (KR) ..... 30-2019-0008066

(51) **LOC (13) Cl.** ..... **14-03**

(52) **U.S. Cl.**  
USPC ..... **D14/248**

(58) **Field of Classification Search**  
USPC ..... D14/138 G, 138 AD, 138 AB, 248, 341,  
D14/439, 432, 371, 374, 138 R, 138 AA,  
D14/138 AC, 138 C

(Continued)

(56) **References Cited**

**U.S. PATENT DOCUMENTS**

D666,202 S \* 8/2012 Dinh ..... D14/439  
D677,666 S \* 3/2013 Akana ..... D14/439

(Continued)

**FOREIGN PATENT DOCUMENTS**

WO D203893-001 \* 11/2019

**OTHER PUBLICATIONS**

Samsung Galaxy A51, announced Dec. 12, 2019, [online], [retrieved on Jan. 27, 2021]. Retrieved from Internet ,<URL: <http://www.gsmarena.com>>.\*

(Continued)

*Primary Examiner* — Bridget L Eland

(74) *Attorney, Agent, or Firm* — McAndrews Held & Malloy, Ltd.

(57) **CLAIM**

The ornamental design for an electronic device, as shown and described.

**DESCRIPTION**

FIG. 1 is a front perspective view of a first embodiment of an electronic device showing my new design;

FIG. 2 is a front view thereof;

FIG. 3 is a rear view thereof;

FIG. 4 is a left-side view thereof;

FIG. 5 is a right-side view thereof;

FIG. 6 is a top view thereof;

FIG. 7 is a bottom view thereof;

FIG. 8 is a rear perspective view thereof;

FIG. 9 is a front perspective view of a second embodiment of an electronic device showing my new design;

FIG. 10 is a front view thereof;

FIG. 11 is a rear view thereof;

FIG. 12 is a left-side view thereof;

FIG. 13 is a right-side view thereof;

FIG. 14 is a top view thereof;

FIG. 15 is a bottom view thereof;

FIG. 16 is a rear perspective view thereof;

FIG. 17 is a front perspective view of a third embodiment of an electronic device showing my new design;

FIG. 18 is a front view thereof;

FIG. 19 is a rear view thereof;

FIG. 20 is a left-side view thereof;

FIG. 21 is a right-side view thereof;

FIG. 22 is a top view thereof;

FIG. 23 is a bottom view thereof;

FIG. 24 is a rear perspective view thereof;

FIG. 25 is a front perspective view of a fourth embodiment of an electronic device showing my new design;

FIG. 26 is a front view thereof;

FIG. 27 is a rear view thereof;

FIG. 28 is a left side view thereof;

FIG. 29 is a right-side view thereof;

FIG. 30 is a top view thereof;

(Continued)



FIG. 31 is a bottom view thereof; and, FIG. 32 is a rear perspective view thereof. The evenly-dashed broken lines in the drawings illustrate portions of the electronic device that form no part of the claimed design. The dot-dash broken lines in the drawings define the boundaries of the claimed design and form no part thereof.

**1 Claim, 24 Drawing Sheets**

(58) **Field of Classification Search**

CPC ..... H04M 1/0202; H04M 1/0235; H04M 1/0237; H04M 1/0239; H04M 1/0266; H04M 1/0268; H04M 1/027; H04M 1/0295; H04M 1/02; H04M 1/0279; H04M 1/0283

See application file for complete search history.

(56) **References Cited**

U.S. PATENT DOCUMENTS

D714,294	S	*	9/2014	Dinh	.....	D14/439
D736,753	S	*	8/2015	Kang	.....	D14/248
D746,247	S	*	12/2015	Cha	.....	D14/138 G
D756,951	S	*	5/2016	Kim	.....	D14/138 G
D796,469	S	*	9/2017	Jin	.....	D14/138 G
D820,831	S	*	6/2018	Kim	.....	D14/341
D825,511	S	*	8/2018	Shin	.....	D14/138 G
D827,637	S	*	9/2018	Kim	.....	D14/341
D829,677	S	*	10/2018	Kim	.....	D14/138 G
D842,831	S	*	3/2019	Kim	.....	D14/138 G
D848,390	S	*	5/2019	Cha	.....	D14/138 G
D849,707	S	*	5/2019	Choi	.....	D14/138 G
D849,708	S	*	5/2019	Park	.....	D14/138 G
D849,709	S	*	5/2019	Choi	.....	D14/138 G
D852,769	S	*	7/2019	Li	.....	D14/138 G
D858,475	S	*	9/2019	Wang	.....	D14/138 G
D863,243	S	*	10/2019	Kim	.....	D14/138 G
D864,140	S	*	10/2019	Lin	.....	D14/138 G
D886,754	S	*	6/2020	Ha	.....	D14/138 G
D890,712	S	*	7/2020	Liu	.....	D14/138 G
D891,386	S	*	7/2020	Liu	.....	D14/138 G
D897,980	S	*	10/2020	Wu	.....	D14/138 G

D898,691	S	*	10/2020	Ji	.....	D14/138 G
D900,778	S	*	11/2020	Cheng	.....	D14/138 G
D900,779	S	*	11/2020	Gu	.....	D14/138 G
D901,421	S	*	11/2020	Hu	.....	D14/138 G
D901,424	S	*	11/2020	Zhu	.....	D14/138 G
D908,104	S	*	1/2021	Zhang	.....	D14/138 G
D908,671	S	*	1/2021	Zhang	.....	D14/248

OTHER PUBLICATIONS

Huawei Enjoy 20 SE, announced Dec. 23, 2020, [online], [retrieved on Jan. 27, 2021], Retrieved from Internet ,<URL: <http://www.gsmarena.com>>.\*  
 LG Q92 5G, announced Aug. 24, 2020, [online], [retrieved on Jan. 27, 2021]. Retrieved from Internet ,<URL: <http://www.gsmarena.com>>.\*  
 Motorola Moto G 5G, announced Nov. 5, 2020, [online], [retrieved on Jan. 27, 2021]. Retrieved from Internet ,<URL: <http://www.gsmarena.com>>.\*  
 Samsung Galaxy M40, announced Jun. 2019, [online], [retrieved on Oct. 5, 2020]. Retrieved from Internet ,<URL: <http://www.gsmarena.com>>.\*  
 Samsung Galaxy A11, announced Mar. 13, 2020, [online], [retrieved on Oct. 5, 2020]. Retrieved from Internet ,<URL: <http://www.gsmarena.com>>.\*  
 Samsung Galaxy M11, announced Mar. 30, 2020, [online], [retrieved on Oct. 5, 2020]. Retrieved from Internet ,<URL: <http://www.gsmarena.com>>.\*  
 Samsung Galaxy A60, announced Apr. 2019, [online], [retrieved on Oct. 16, 2020]. Retrieved from Internet ,<URL: <http://www.gsmarena.com>>.\*  
 Samsung Galaxy S10e, announced Feb. 20, 2019, [online], [retrieved on Oct. 16, 2020]. Retrieved from Internet ,<URL: <http://www.gsmarena.com>>.\*  
 Lenovo Z5S hand on video shows its punch hole in action, Publication Date: Nov. 29, 2018, [online], [retrieved on Jan. 29, 2021]. Retrieved from Internet, <URL: <https://www.youtube.com/watch?v=FzKF4VP7QB0>>.\*  
 Lenovo Z5S may beat the Falaxy S10 to the market with a ‘punch hole’ in-screen camera, by: Milen Yanachkov, Publication Date: Nov. 30, 2018, [online], [retrieved on Jan. 27, 2021]. Retrieved from Internet, <URL: [https://www.phonearena.com/news/lenovo-z5s-under-display-camera-punch-hole\\_id111529](https://www.phonearena.com/news/lenovo-z5s-under-display-camera-punch-hole_id111529)>.\*

\* cited by examiner

FIG.1

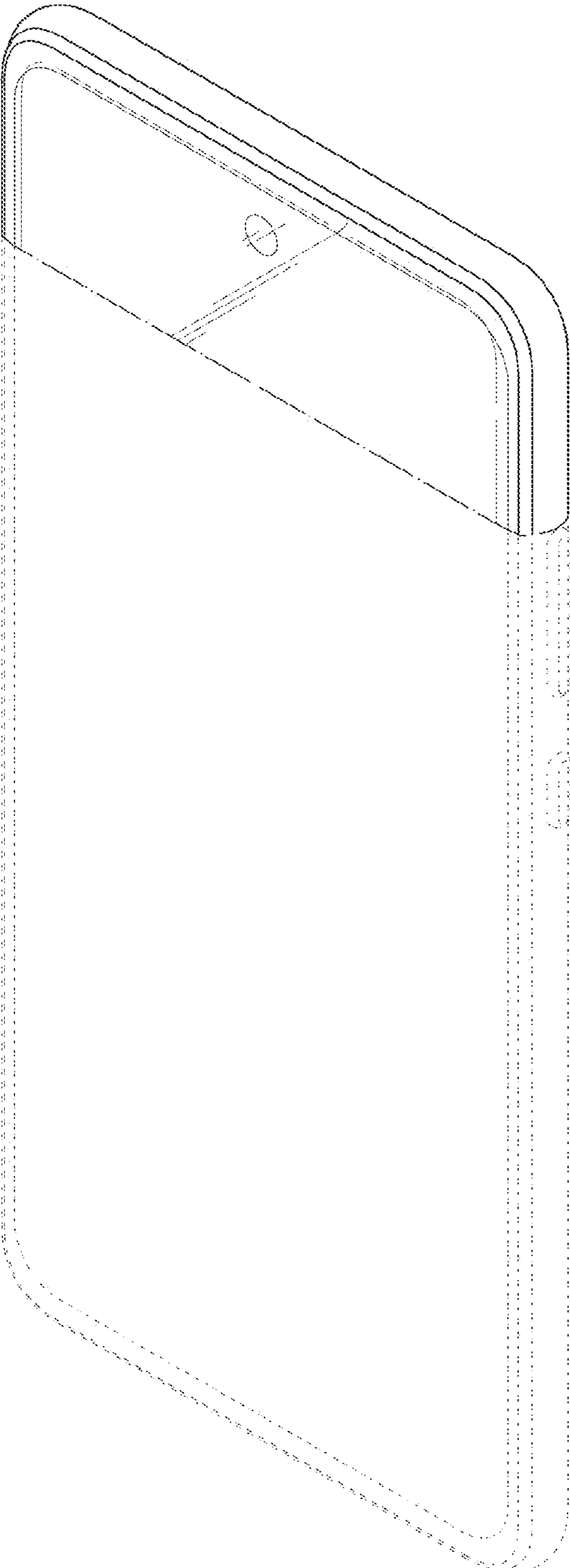


FIG.2





FIG.3



FIG.4

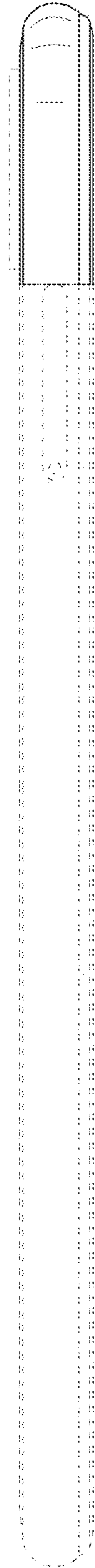


FIG.5

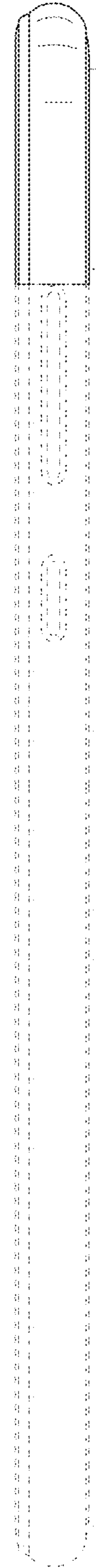


FIG.6

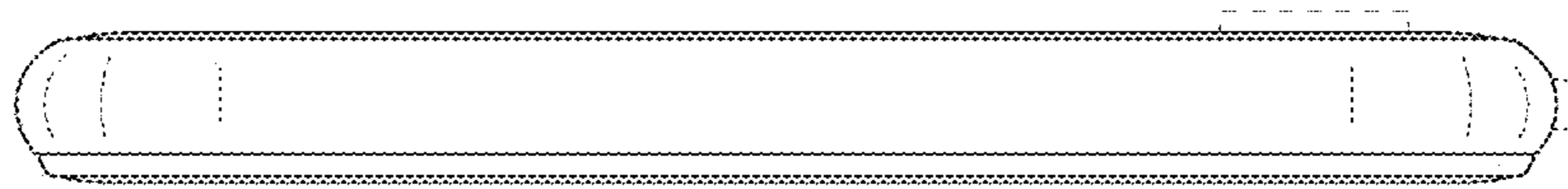


FIG.7

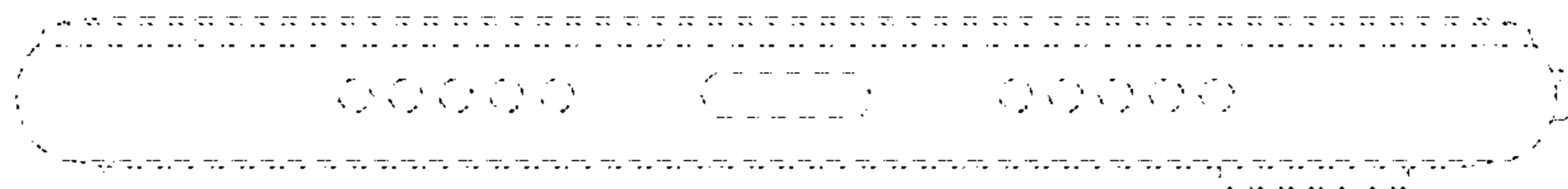


FIG.8

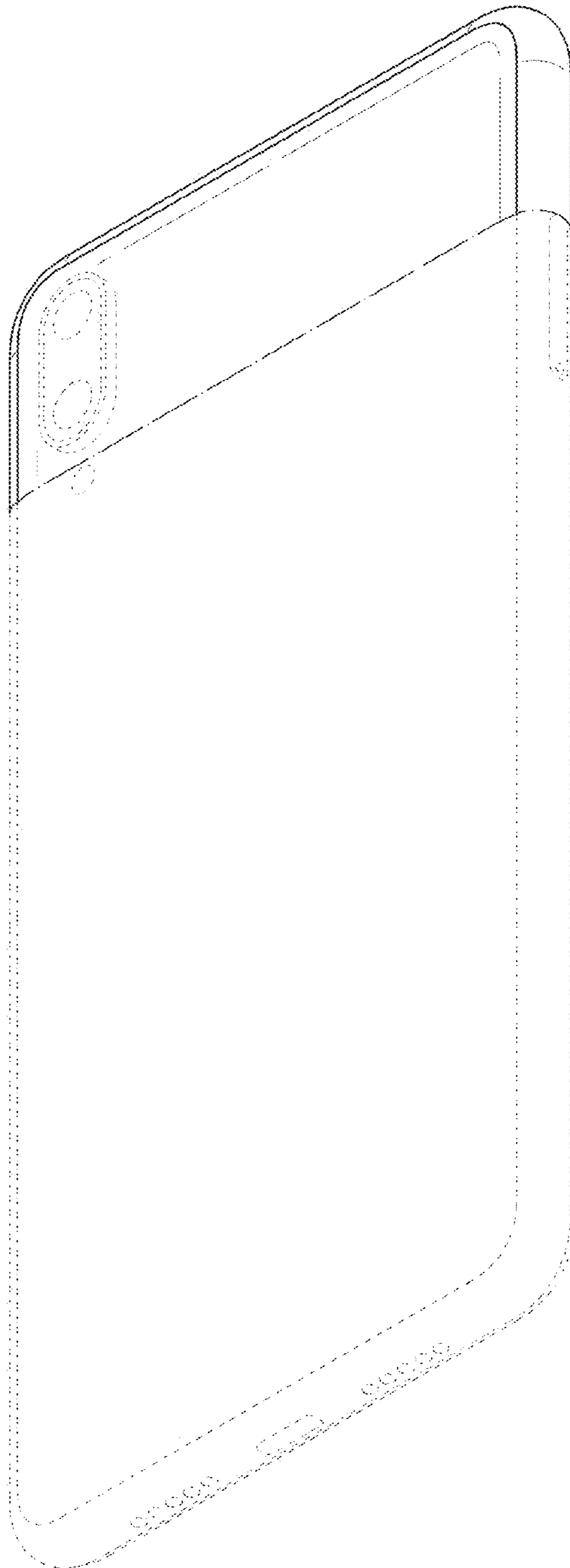




FIG.9

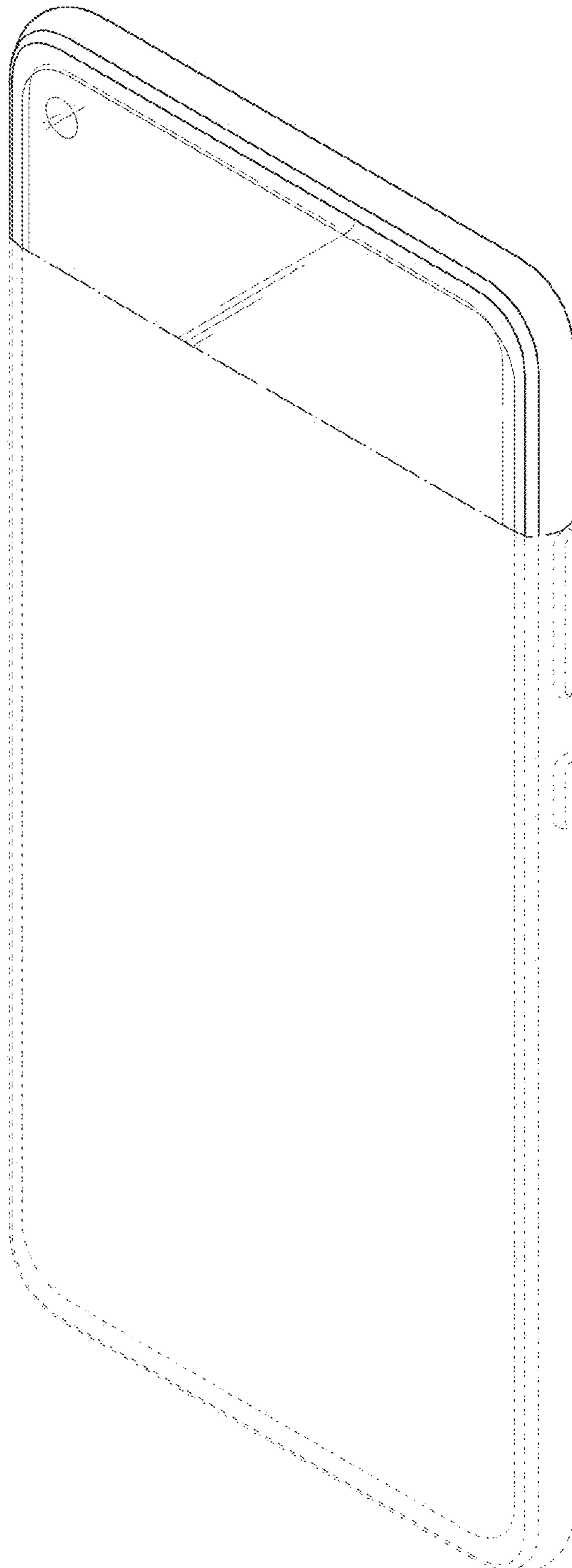


FIG. 10

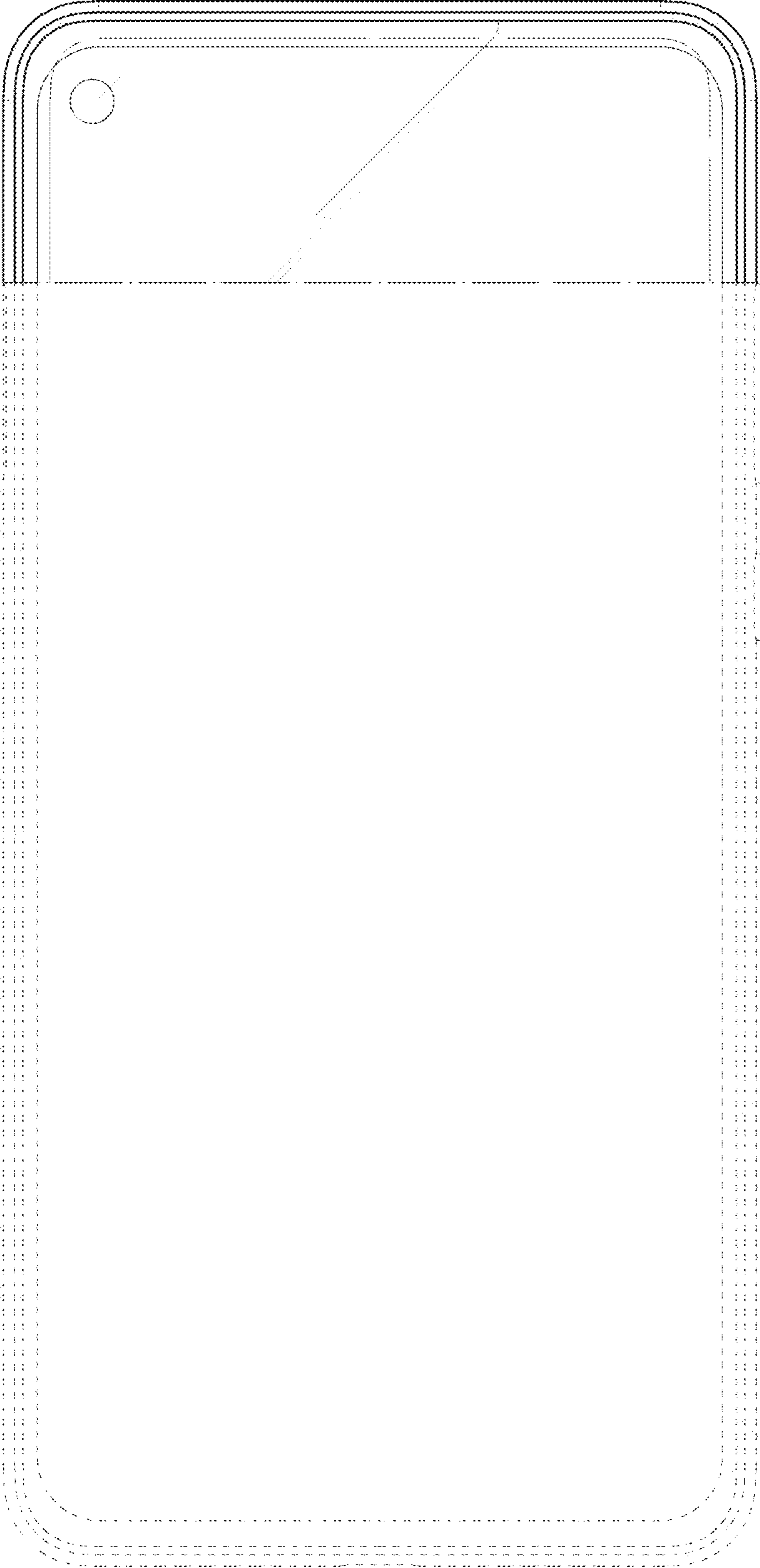


FIG. 11



FIG. 12

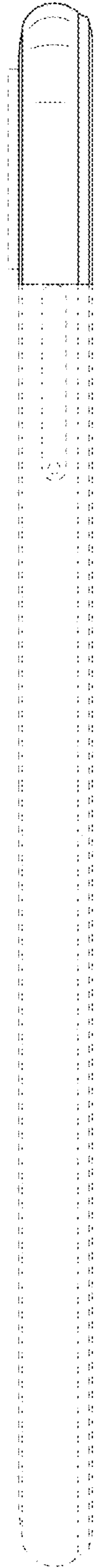


FIG. 13

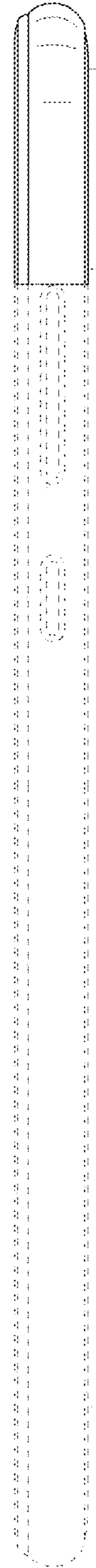


FIG.14

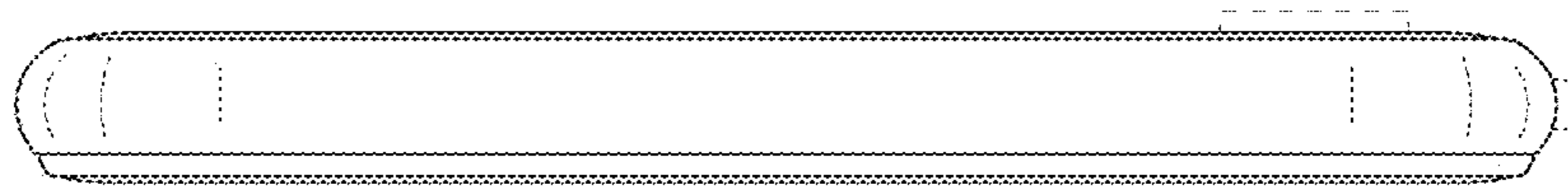


FIG.15

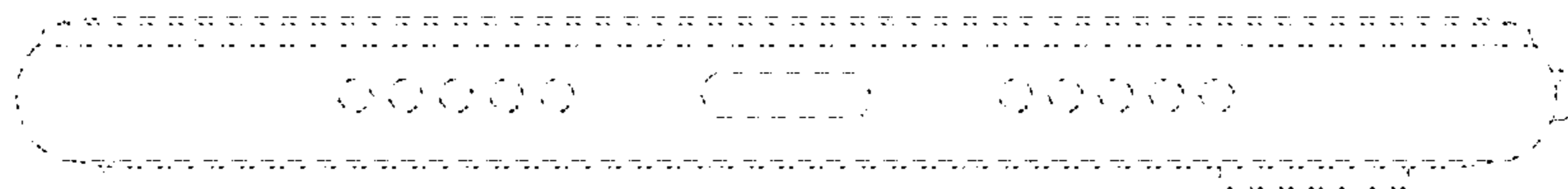


FIG. 16

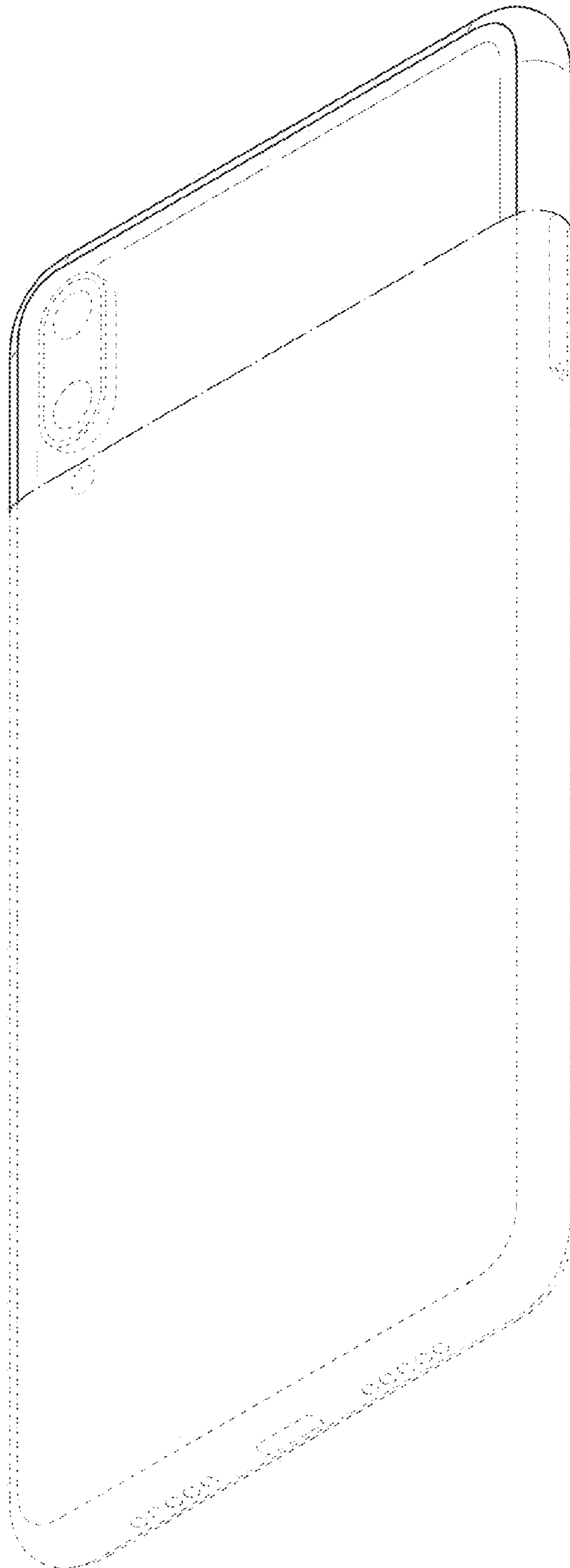




FIG.17

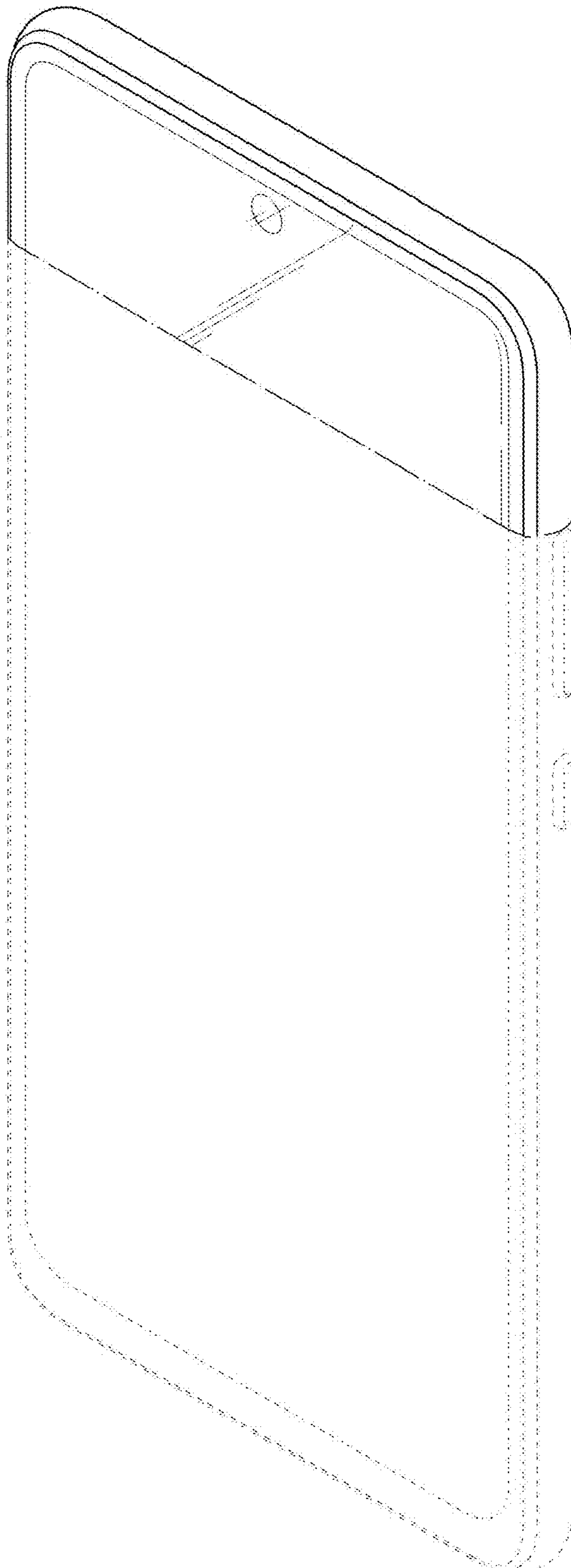


FIG.18

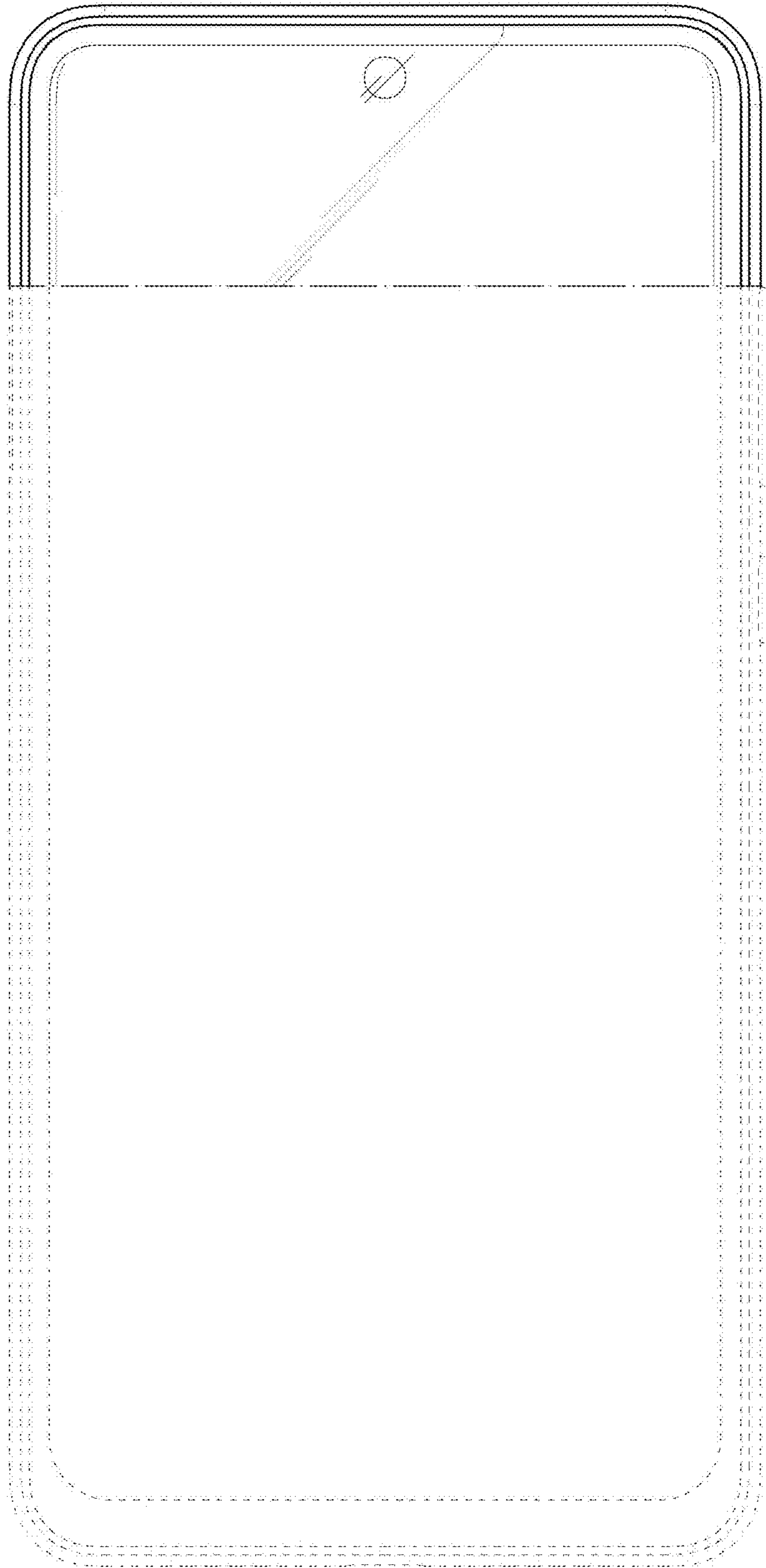


FIG.19

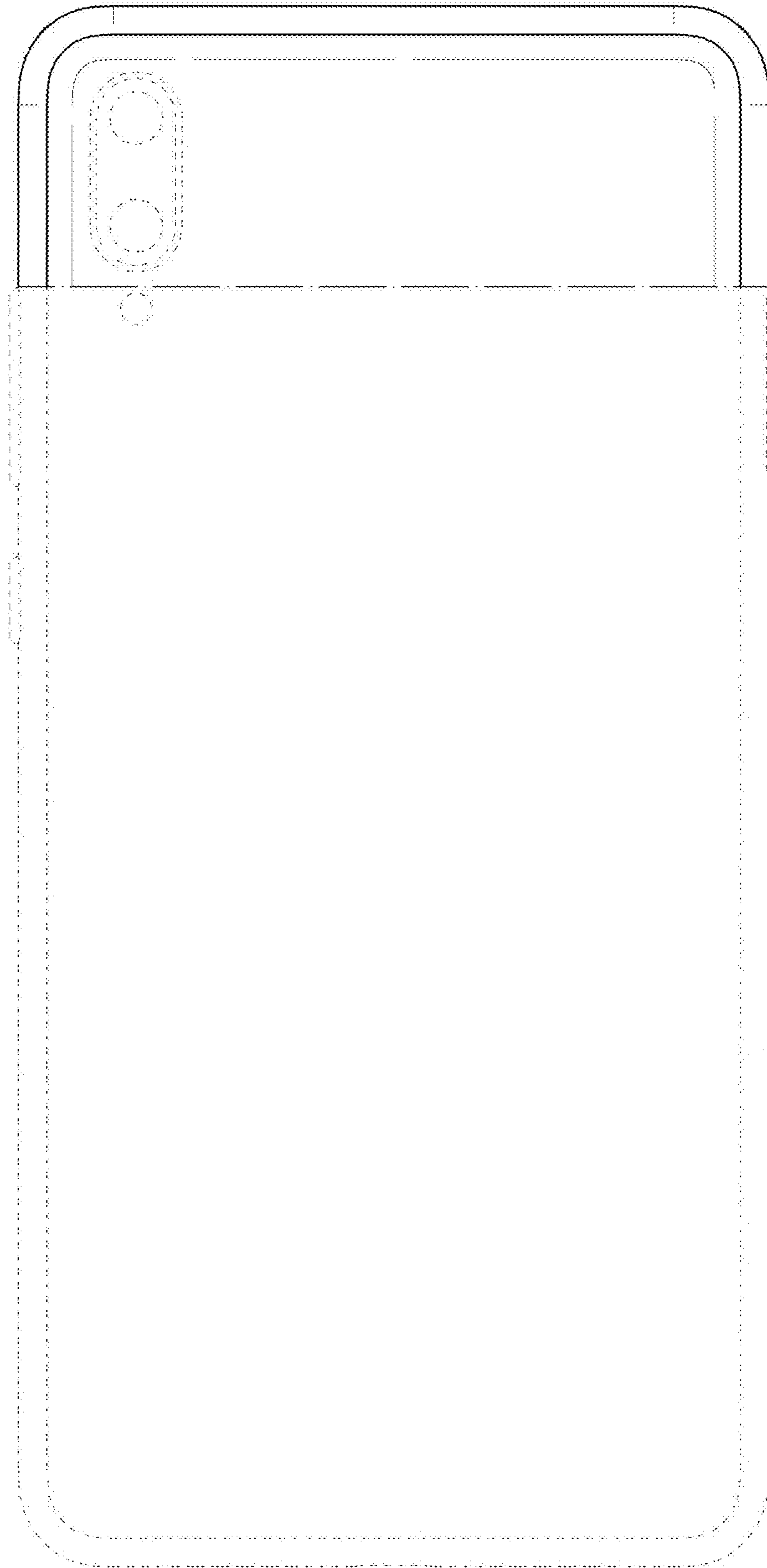


FIG.20

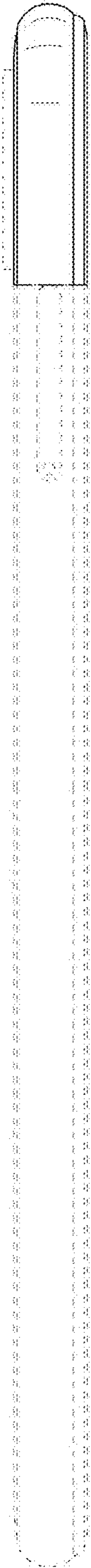


FIG.21



FIG.22

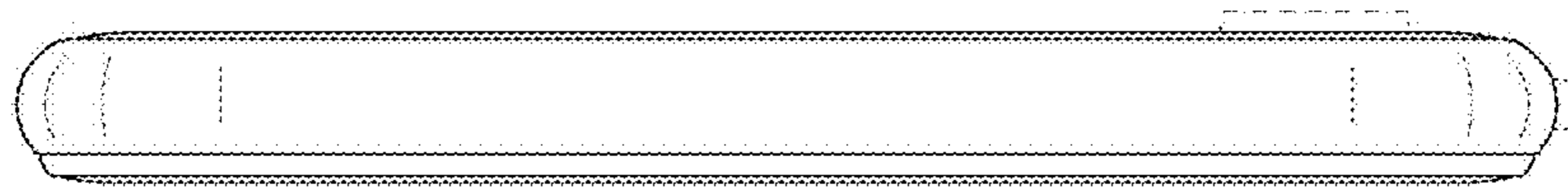


FIG.23

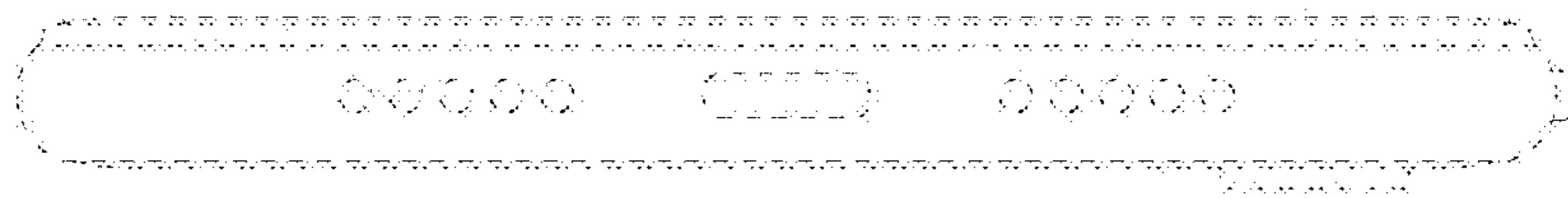


FIG.24

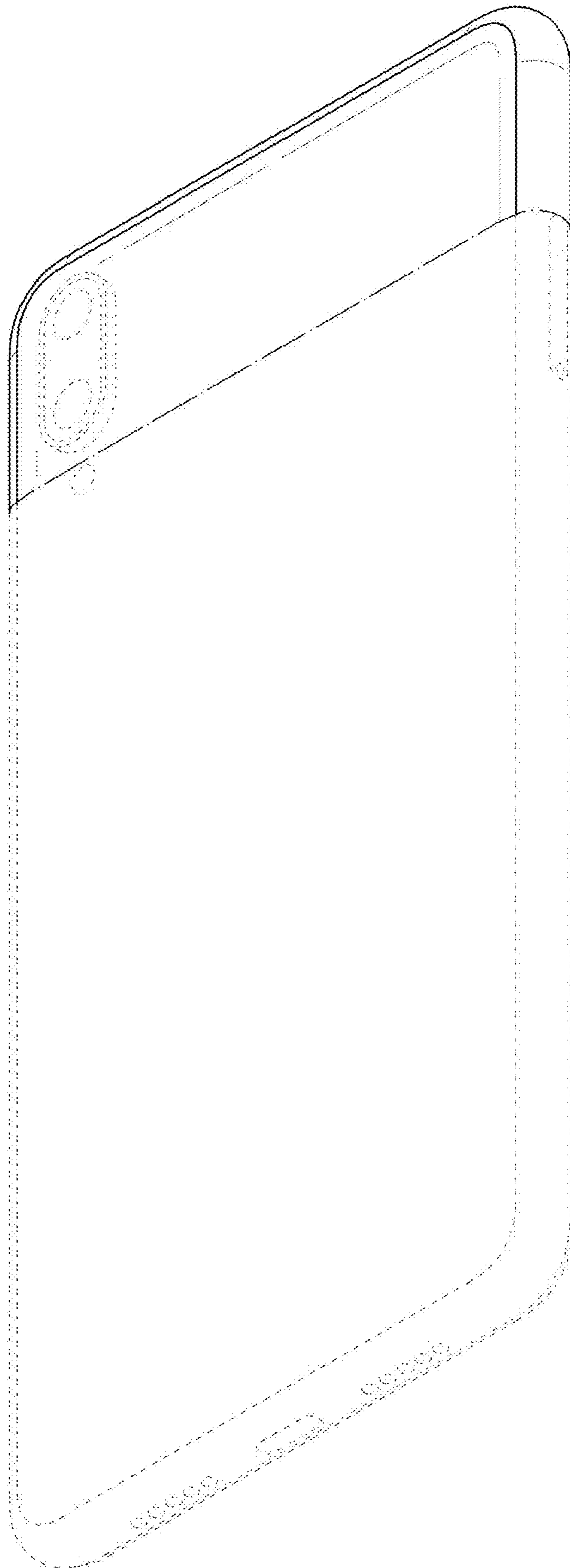




FIG.25

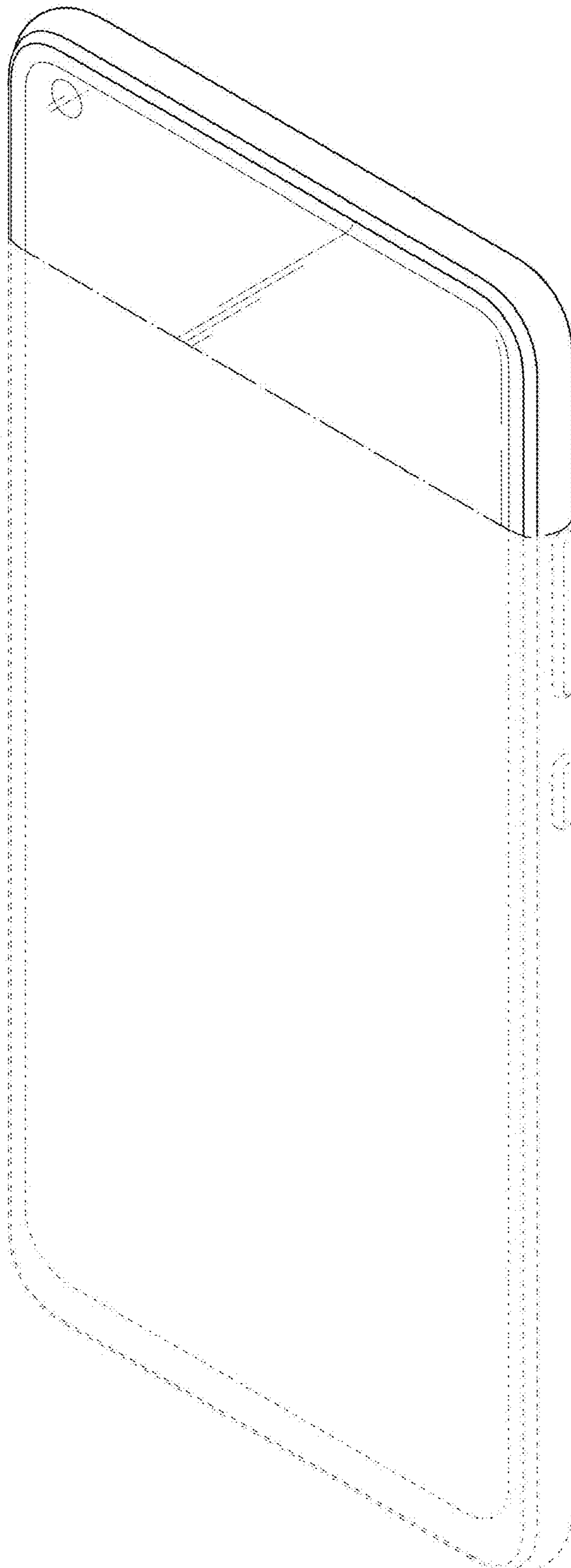


FIG.26

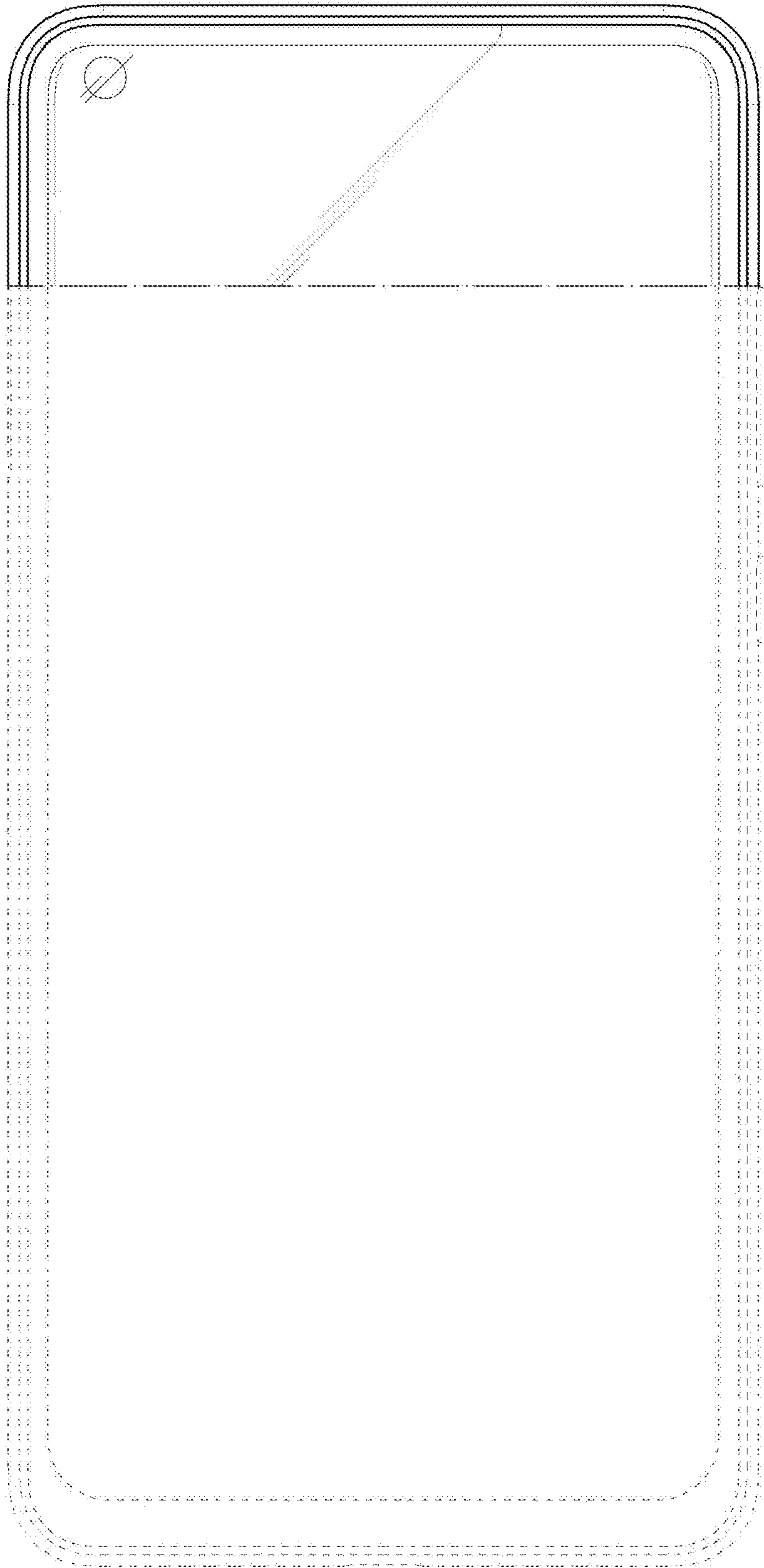


FIG.27



FIG.28

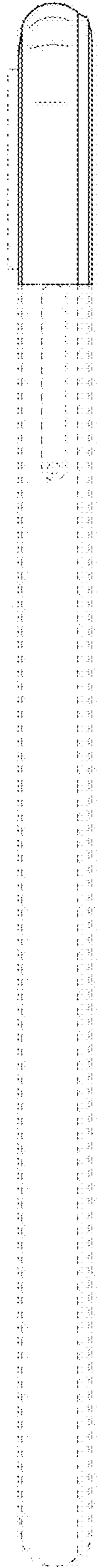


FIG.29

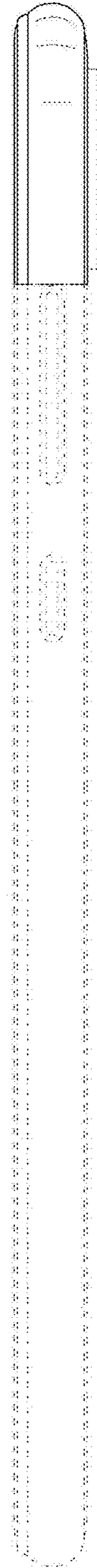


FIG.30

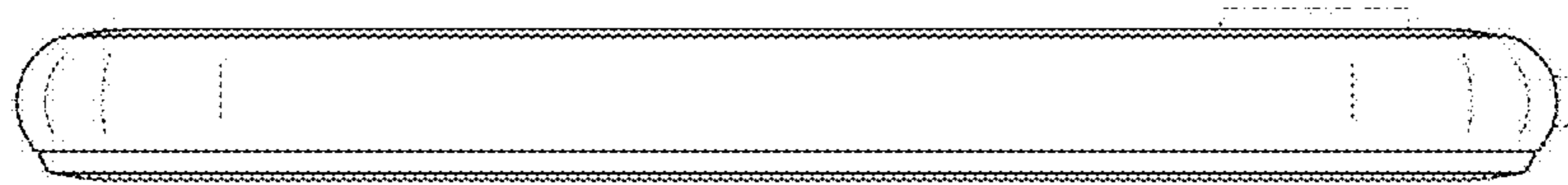


FIG.31

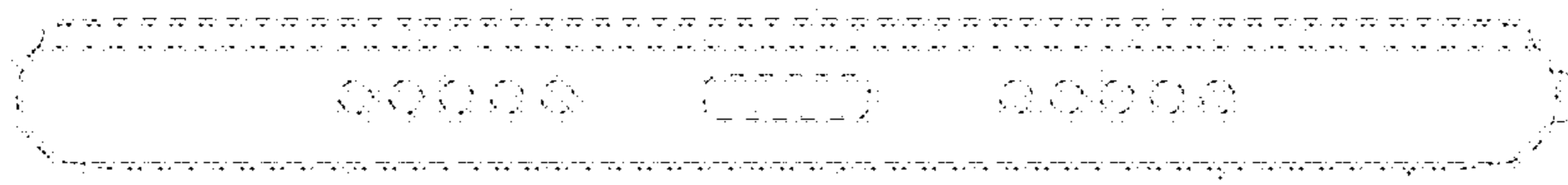


FIG.32

