



US00D922985S

(12) **United States Design Patent**
Kataoka

(10) **Patent No.:** **US D922,985 S**
(45) **Date of Patent:** **** Jun. 22, 2021**

(54) **EARPHONE**

(71) Applicant: **Panasonic Intellectual Property Management Co., Ltd., Osaka (JP)**

(72) Inventor: **Yurina Kataoka, Kyoto (JP)**

(73) Assignee: **Panasonic Intellectual Property Management Co., Ltd., Osaka (JP)**

(**) Term: **15 Years**

(21) Appl. No.: **29/725,156**

(22) Filed: **Feb. 21, 2020**

(30) **Foreign Application Priority Data**

Nov. 25, 2019 (EM) 007290614-0004

(51) **LOC (13) Cl.** **14-01**

(52) **U.S. Cl.**
USPC **D14/223**

(58) **Field of Classification Search**
USPC ... D14/205, 207, 217, 221, 223, 224, 224.1,
D14/225, 216; D24/173, 174

CPC H04R 1/10; H04R 1/1016; H04R 1/1066;
H04R 1/105; H04R 1/1033; H04R 1/08;
H04R 5/033; H04R 5/0335; H04R 25/00
See application file for complete search history.

(56) **References Cited**

U.S. PATENT DOCUMENTS

D754,637 S *	4/2016	Harper	D14/217
D769,219 S *	10/2016	Ohmachi	D14/205
D781,269 S *	3/2017	Choe	D14/223
D813,205 S *	3/2018	Palmborg	D14/223
D813,848 S *	3/2018	Palmborg	D14/223
D826,211 S *	8/2018	Kim	D14/206
D850,419 S *	6/2019	Shin	D14/223
D870,711 S *	12/2019	Karayiannis	D14/223
D871,374 S *	12/2019	Karayiannis	D14/223
D873,248 S *	1/2020	Weicheng	D14/223

D883,262 S *	5/2020	Wu	D14/223
D890,727 S *	7/2020	Park	D14/223
D892,085 S *	8/2020	Kim	D14/223
D896,205 S *	9/2020	Zhang	D14/223
D900,064 S *	10/2020	Laffon de Mazieres	D14/223

(Continued)

FOREIGN PATENT DOCUMENTS

CN	305973162	*	8/2020
CN	306052809	*	9/2020

(Continued)

OTHER PUBLICATIONS

True Wireless Bluetooth Earphones, announced © 2020 [online],
retrieved May 6, 2021, retrieved from internet, <https://shop.panasonic.com/audio-and-video/headphones/RZ-S500W.html>.*

(Continued)

Primary Examiner — Dana K Weiland
Assistant Examiner — Messina L Smith
(74) *Attorney, Agent, or Firm* — Panasonic IP Management; Kerry S. Culpepper

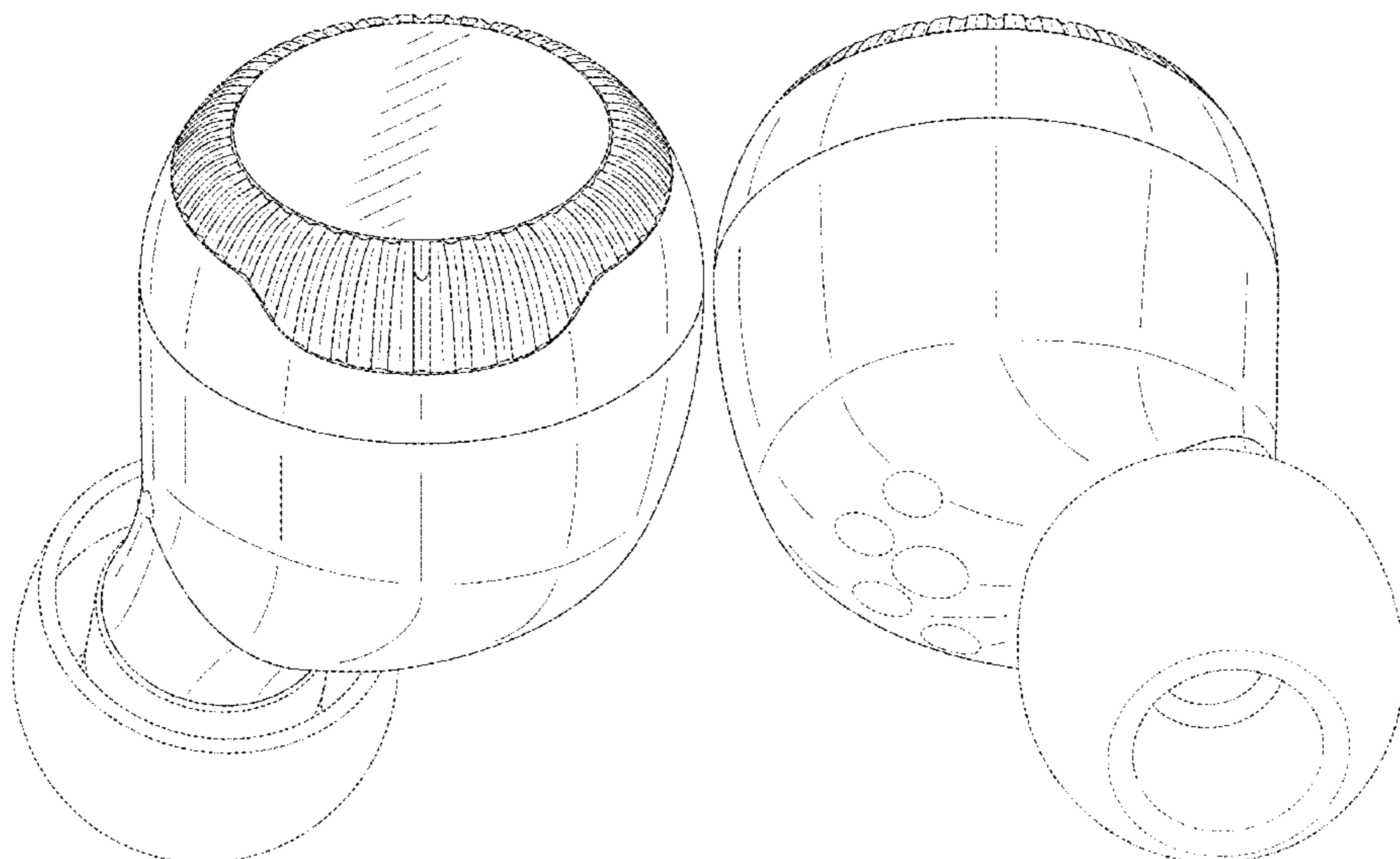
(57) **CLAIM**

I claim the ornamental design for an earphone, as shown and described.

DESCRIPTION

FIG. 1 is a front perspective view of an earphone of the present invention;
FIG. 2 is a rear perspective view thereof;
FIG. 3 is a front view thereof;
FIG. 4 is a rear view thereof;
FIG. 5 is a top view thereof;
FIG. 6 is a bottom view thereof; and,
FIG. 7 is a side view thereof.
The broken lines in the drawings represent portions of the earphone that form no part of the claimed design.

1 Claim, 7 Drawing Sheets



(56)

References Cited

U.S. PATENT DOCUMENTS

D910,602 S * 2/2021 Feng D14/223
2014/0064548 A1* 3/2014 Chu H04R 1/1091
381/380
2018/0242068 A1* 8/2018 Kelley H04R 1/105
2021/0044885 A1* 2/2021 Fukahori G06F 3/044

FOREIGN PATENT DOCUMENTS

CN 306255830 * 12/2020
CN 306308565 * 2/2021
CN 306422134 * 3/2021
CN 306478956 * 4/2021
JP D1641340 9/2017
JP D1640565 9/2019

OTHER PUBLICATIONS

Technics True Wireless Earbuds, announced Dec. 20, 2019 [online],
retrieved May 6, 2021, retrieved from internet, <https://na.panasonic.com/us/technics-truewireless>.*

Panasonic True Wireless Earbuds, announced Jul. 10, 2020 [online],
retrieved May 6, 2021, retrieved from internet, <https://www.amazon.ca/Panasonic-Wireless-Bluetooth-Resistant-Compatible/dp/B0863H1JKB>.*

Move Effortlessly to Your Life's Soundtrack with True Wireless Earbuds, announced © 2021 [online], retrieved May 6, 2021,
retrieved from internet, <https://luxedigital.com/lifestyle/technology/best-earbuds/>.*

* cited by examiner

FIG. 1

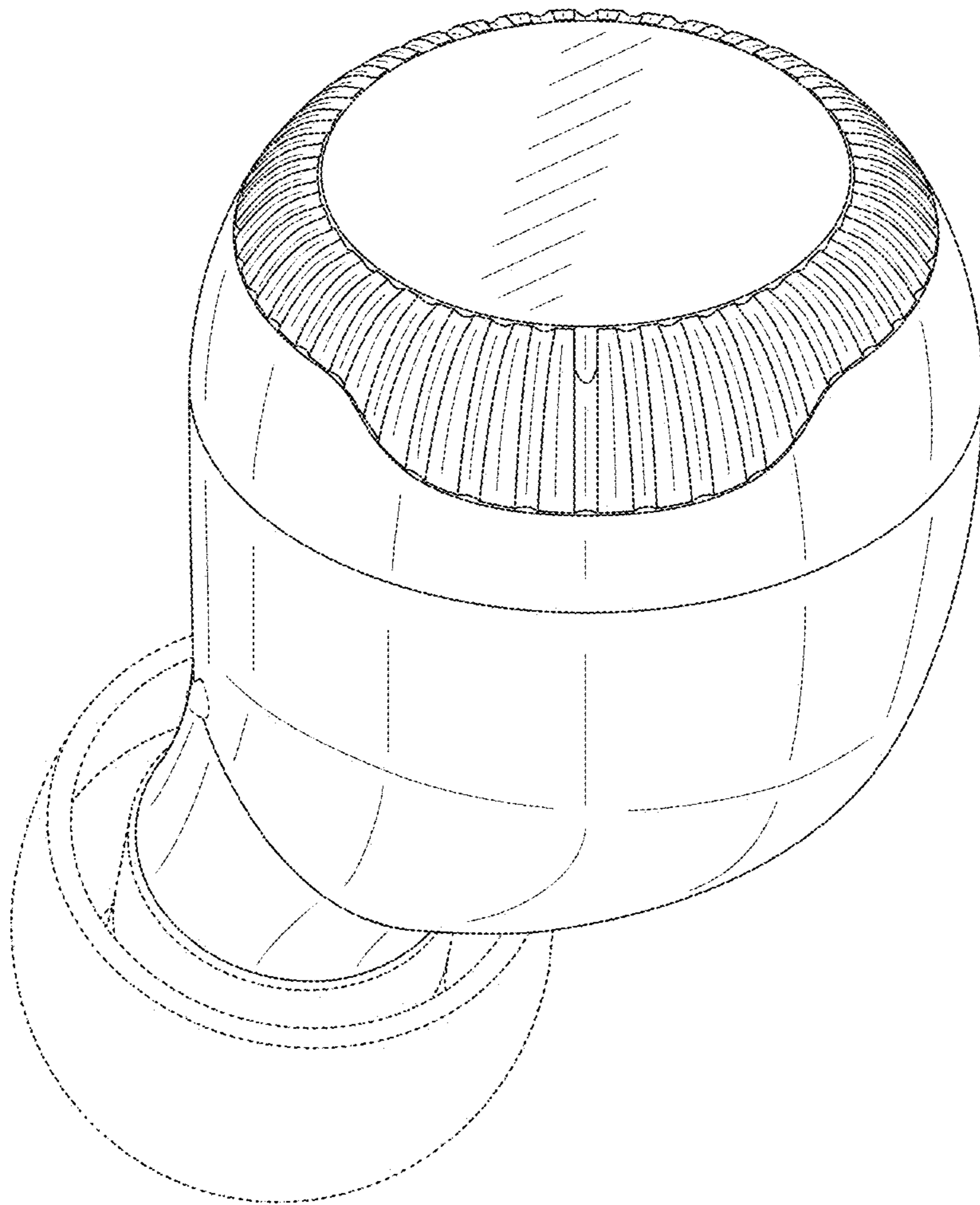


FIG. 2

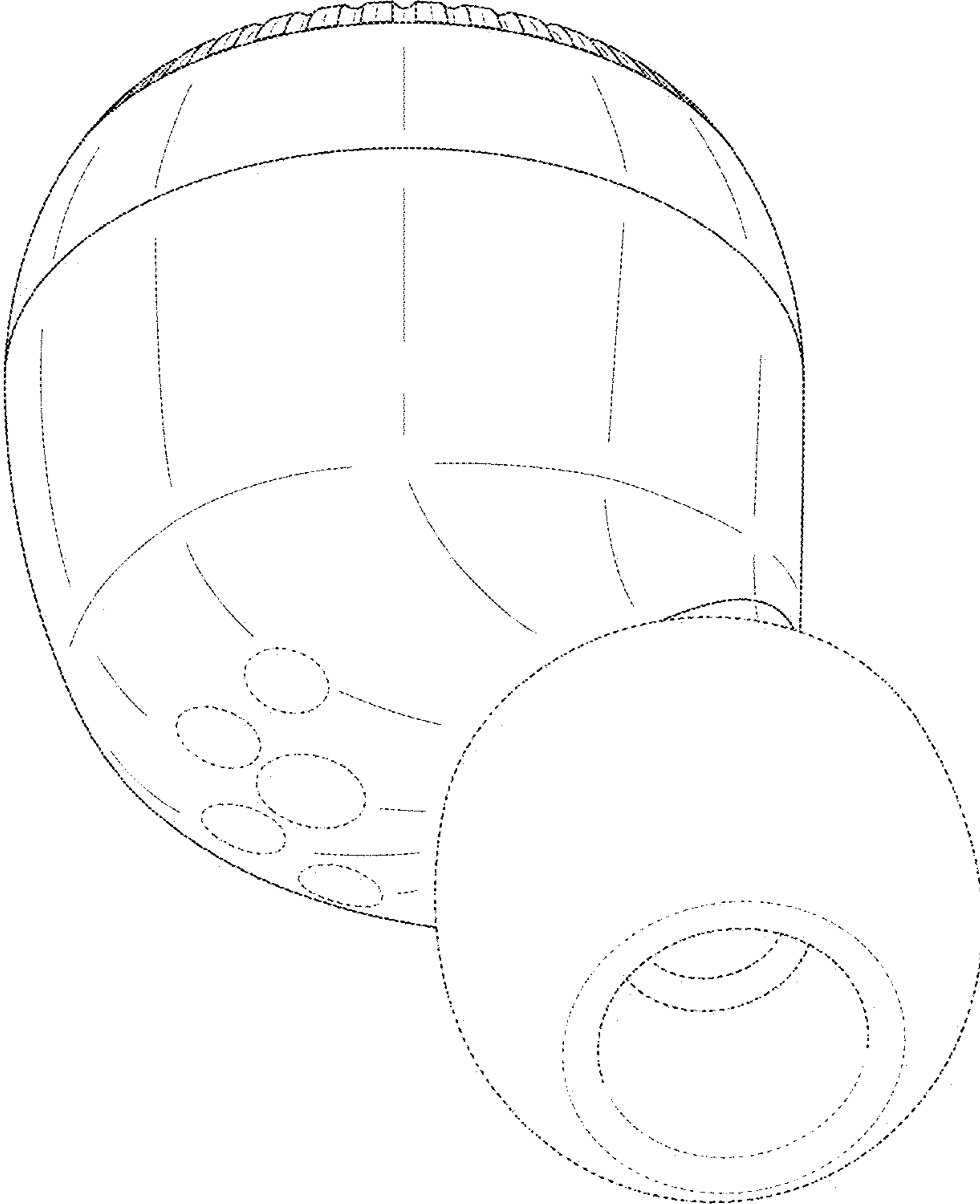


FIG. 3

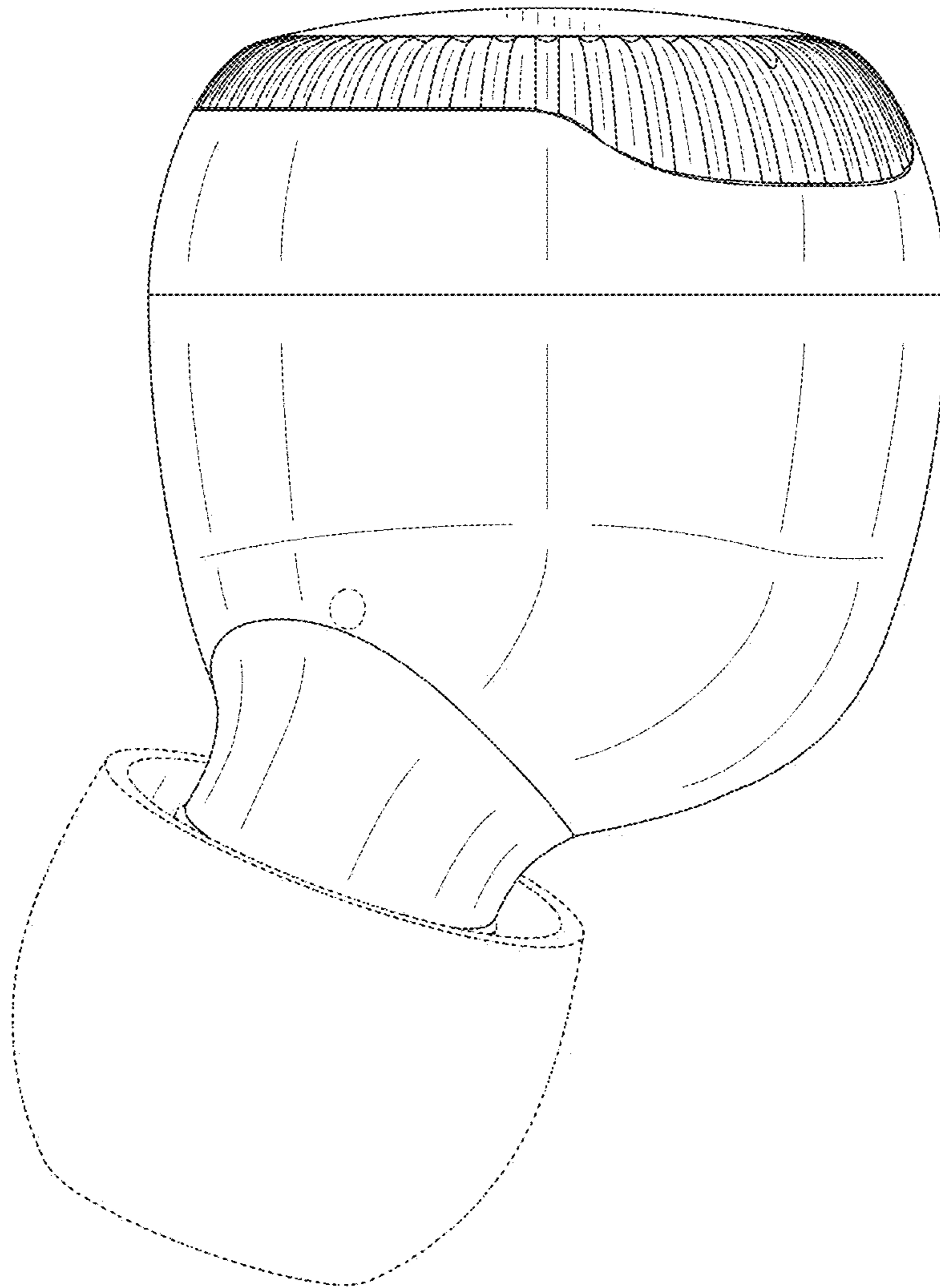


FIG. 4

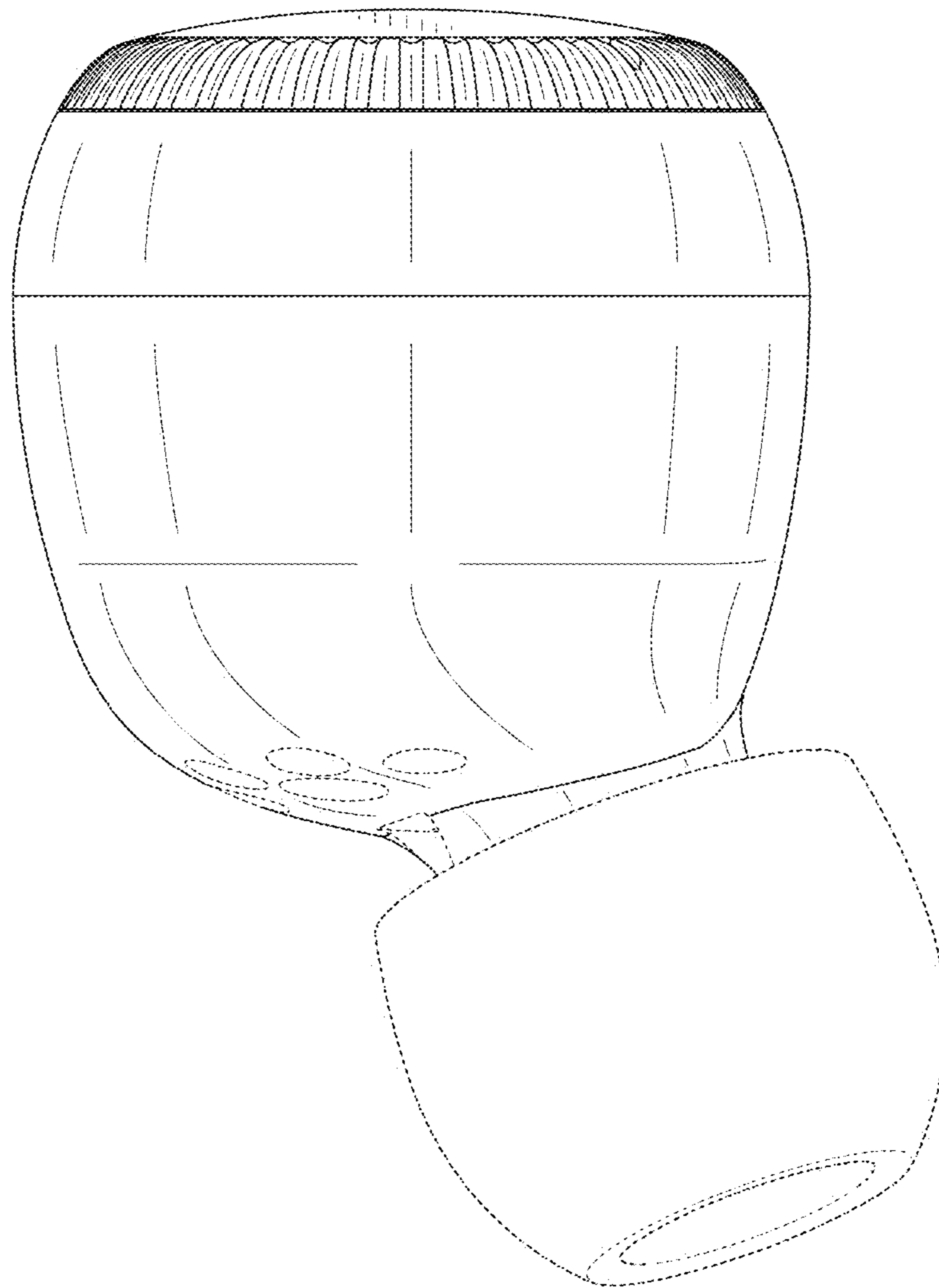


FIG. 5

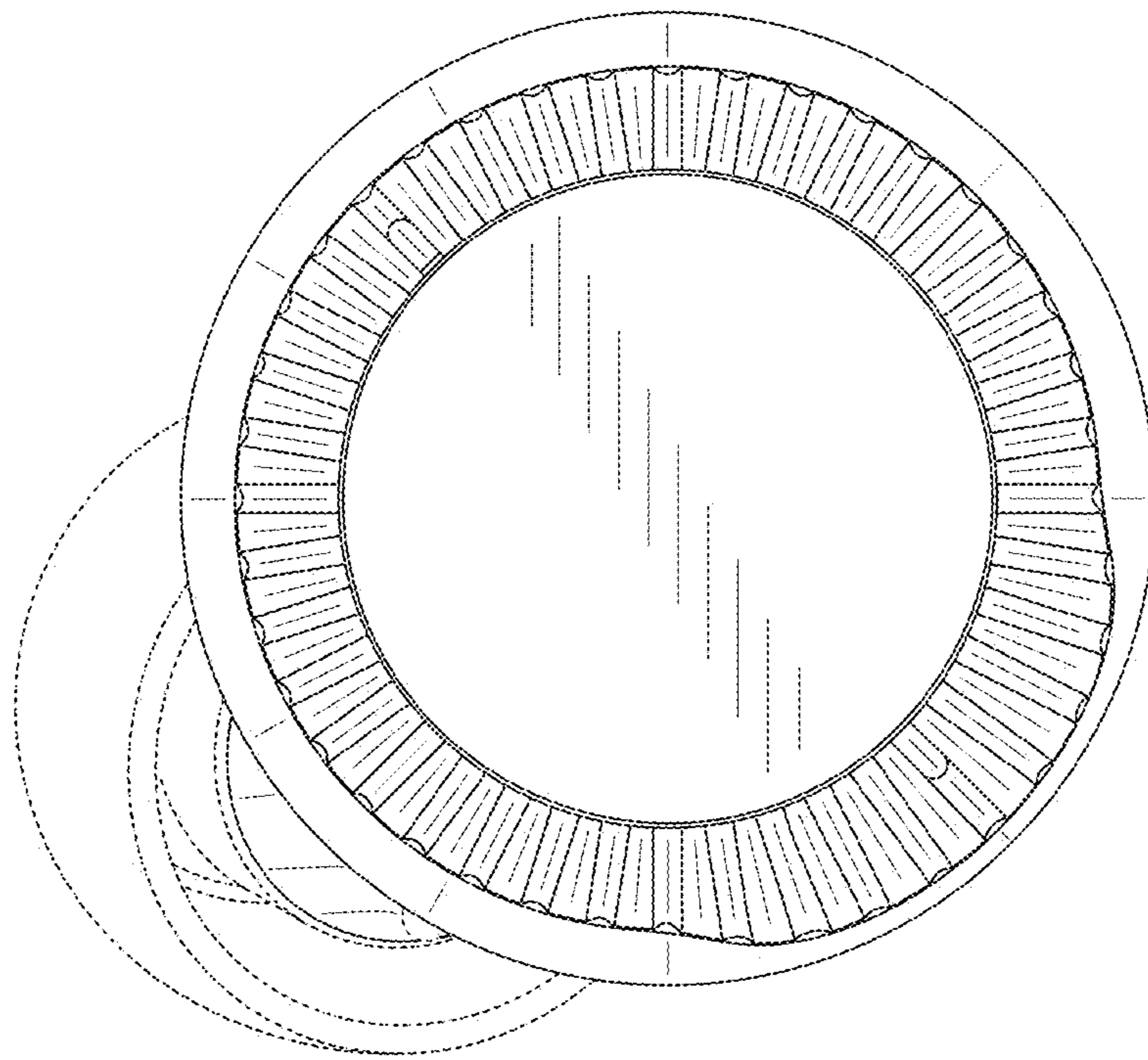


FIG. 6

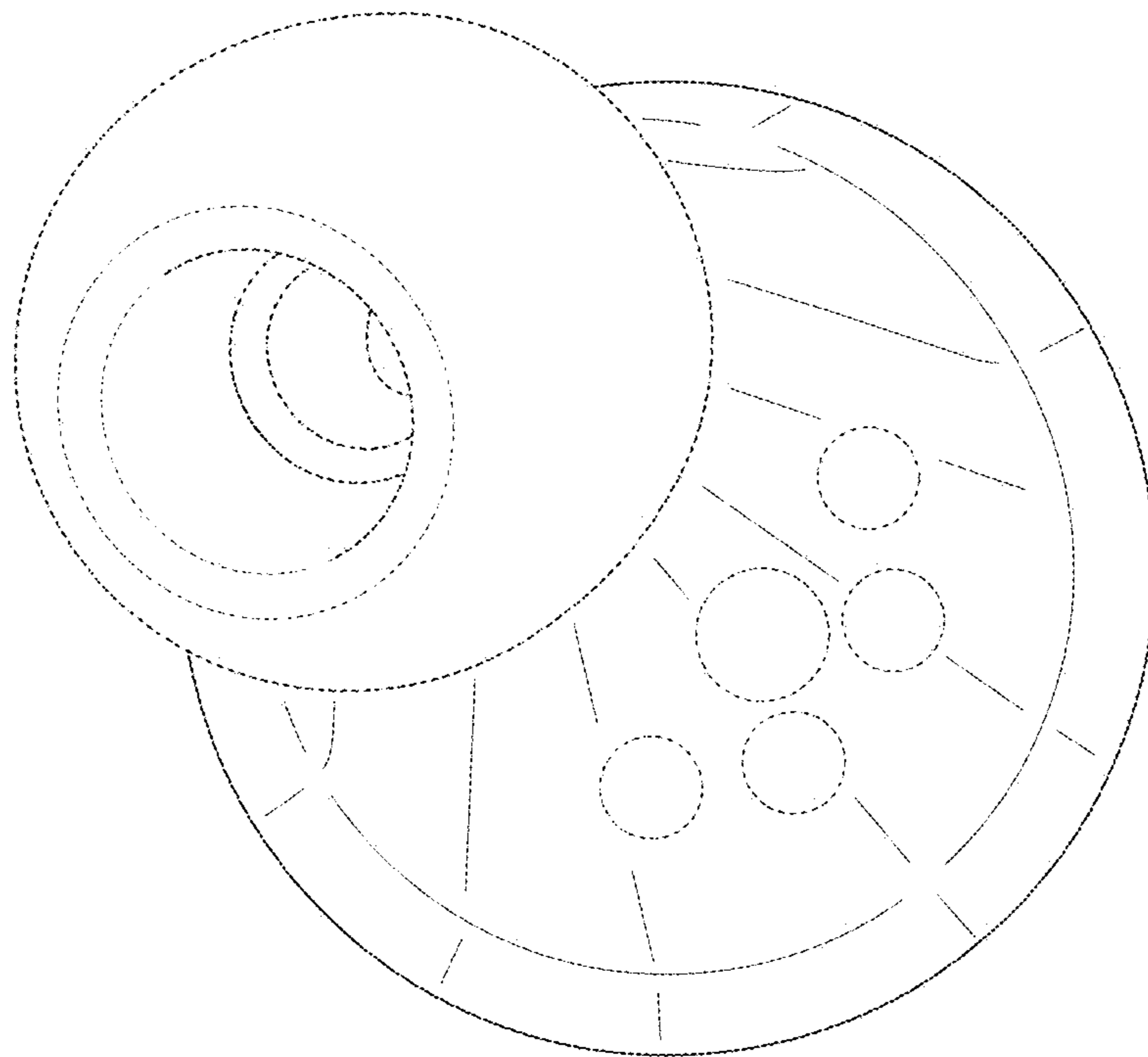


FIG. 7

