



US00D922980S

(12) **United States Design Patent**
Lim et al.

(10) **Patent No.:** **US D922,980 S**
(45) **Date of Patent:** **** Jun. 22, 2021**

(54) **AUDIO PLAYER**

(71) Applicant: **LG ELECTRONICS INC.**, Seoul
(KR)

(72) Inventors: **Chulhee Lim**, Seoul (KR); **Kyungmin Kim**, Seoul (KR)

(73) Assignee: **LG ELECTRONICS INC.**, Seoul
(KR)

(**) Term: **15 Years**

(21) Appl. No.: **29/715,270**

(22) Filed: **Nov. 29, 2019**

(51) **LOC (13) Cl.** **14-01**

(52) **U.S. Cl.**
USPC **D14/215**

(58) **Field of Classification Search**
USPC D14/209–219, 167–168, 170–172, 188,
D14/199, 194–196, 204, 221–222, 224,
D14/496, 265; D21/516, 513
CPC H04R 1/02; H04R 1/021; H04R 1/023;
H04R 5/00; H04R 9/06; H04R 2420/07;
H04R 25/00; H04R 1/28; H05K 5/00;
H05K 5/02; G10K 11/00; B62B 1/00
See application file for complete search history.

(56) **References Cited**

U.S. PATENT DOCUMENTS

D519,105 S *	4/2006	Masui	D14/214
D527,373 S *	8/2006	Takei	D14/214
D542,275 S *	5/2007	Hibino	D14/214
D592,645 S *	5/2009	Motoishi	D14/215
D723,518 S *	3/2015	Moon	D14/215
D759,631 S *	6/2016	Espinosa	D14/215
D760,696 S *	7/2016	Espinosa	D14/215
D829,191 S *	9/2018	Yang	D14/214
D862,411 S *	10/2019	Yang	D14/204
D870,692 S *	12/2019	Yang	D14/168
D871,370 S *	12/2019	Henricksen	D14/215

D891,394 S *	7/2020	Kim	D14/204
D891,395 S *	7/2020	Kim	D14/204
2006/0083396 A1 *	4/2006	Kung	H04R 1/02 381/334

(Continued)

OTHER PUBLICATIONS

LG RN7 XBOOM Audio System, first available Apr. 1, 2020, amazon.com, [online], [site visited Nov. 25, 2020], Available from internet URL: https://www.amazon.com/LG-RN7-XBOOM-System-Bluetooth/dp/B087V99K9B/ref=sr_1_28?dchild=1&keywords=xboom&qid=1606315285&sr=8-28 (Year: 2020).*

(Continued)

Primary Examiner — Samantha Q Lawrence

Assistant Examiner — Holly M Rodriguez

(74) *Attorney, Agent, or Firm* — Birch, Stewart, Kolasch & Birch, LLP

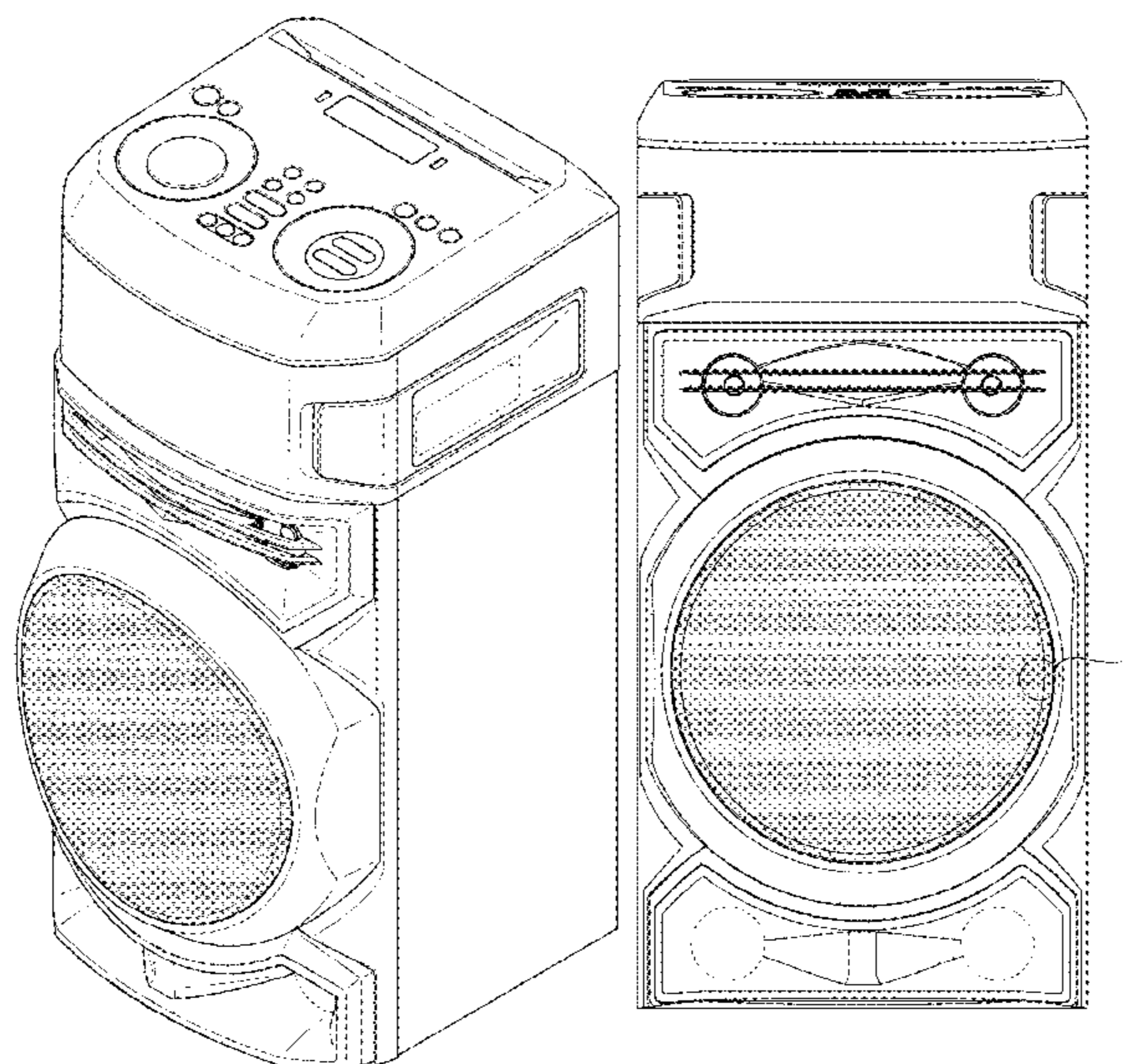
(57) **CLAIM**

The ornamental design for an audio player, as shown and described.

DESCRIPTION

FIG. 1 is a front, right side, perspective view of an audio player showing our new design;
FIG. 2 is a front view thereof;
FIG. 3 is a rear view thereof;
FIG. 4 is a left side view thereof;
FIG. 5 is a right side view thereof;
FIG. 6 is a top view thereof;
FIG. 7 is a bottom view thereof; and,
FIG. 8 is an enlarged view of the speaker.
The dash-dash broken lines depict portions of the audio player that form no part of the claimed design. The dot-dash broken line showing in FIGS. 2 and 8 is for the purpose of illustrating a partially enlarged view of region “1” of FIG. 2 and forms no part of the claimed design.

1 Claim, 7 Drawing Sheets



(56)

References Cited

U.S. PATENT DOCUMENTS

2018/0302710 A1* 10/2018 Shatford H04R 1/2888

OTHER PUBLICATIONS

Pyle Outdoor Portable Wireless Bluetooth, first available Mar. 26, 2019, amazon.com, [online], [site visited Nov. 25, 2020], Available from internet URL: https://www.amazon.com/dp/B07Q2FHQS3/ref=sspa_dk_detail_7?psc=1&pd_rd_i=B07Q2FHQS3&pd_rd_w=XlItD&pd_rd_p=7d37a48b-2b1a-4373-8%E2%80%A6 (Year: 2019).*

XBOOM Audio System ,lg.com, [online], [site visited Dec. 2, 2020], Available from internet URL: <https://www.lg.com/us/home-audio/lg-rn5-mini-shelf-stereo-system> (Year: 2020).*

* cited by examiner

FIG. 1

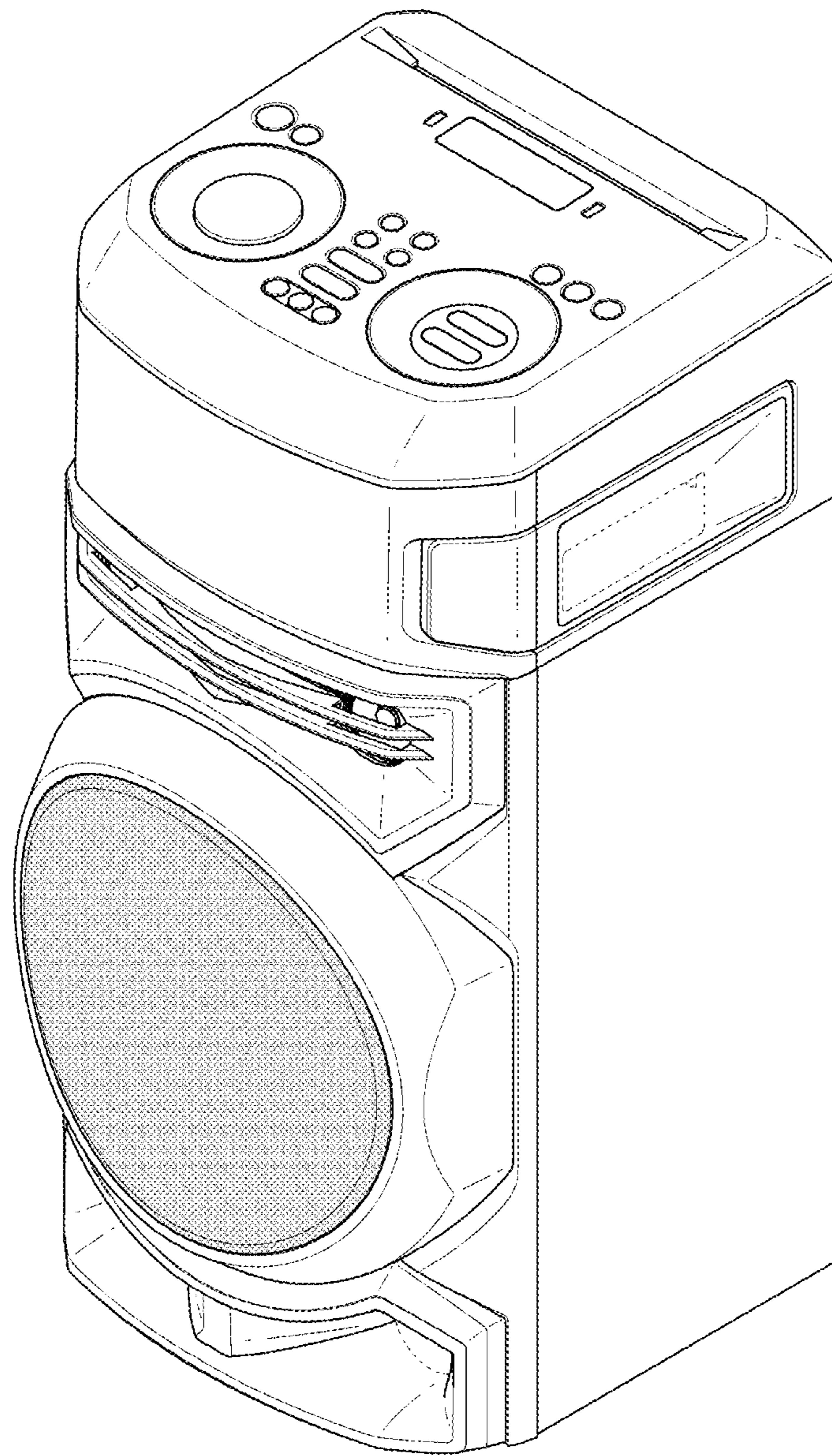


FIG. 2

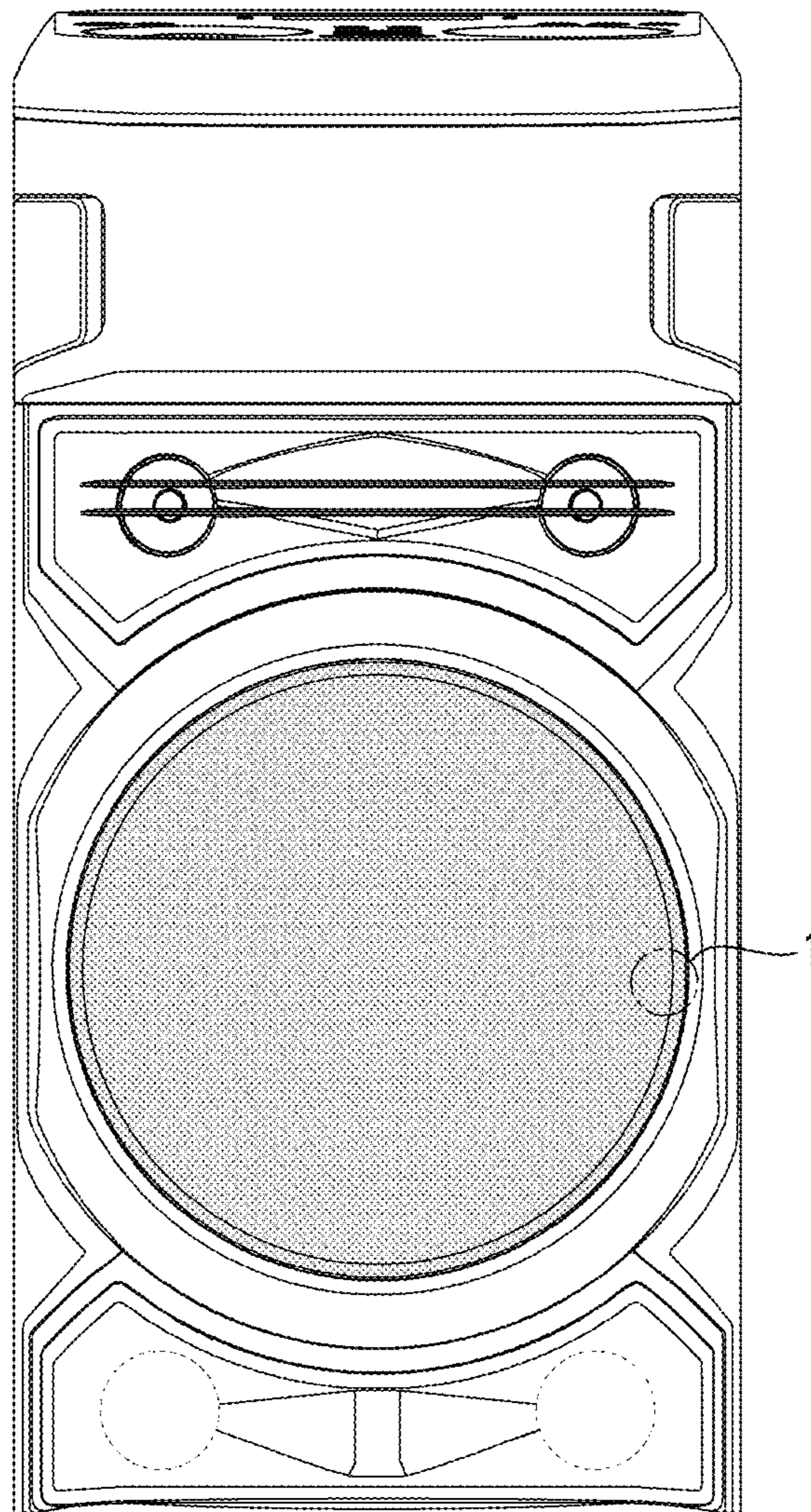


FIG. 3

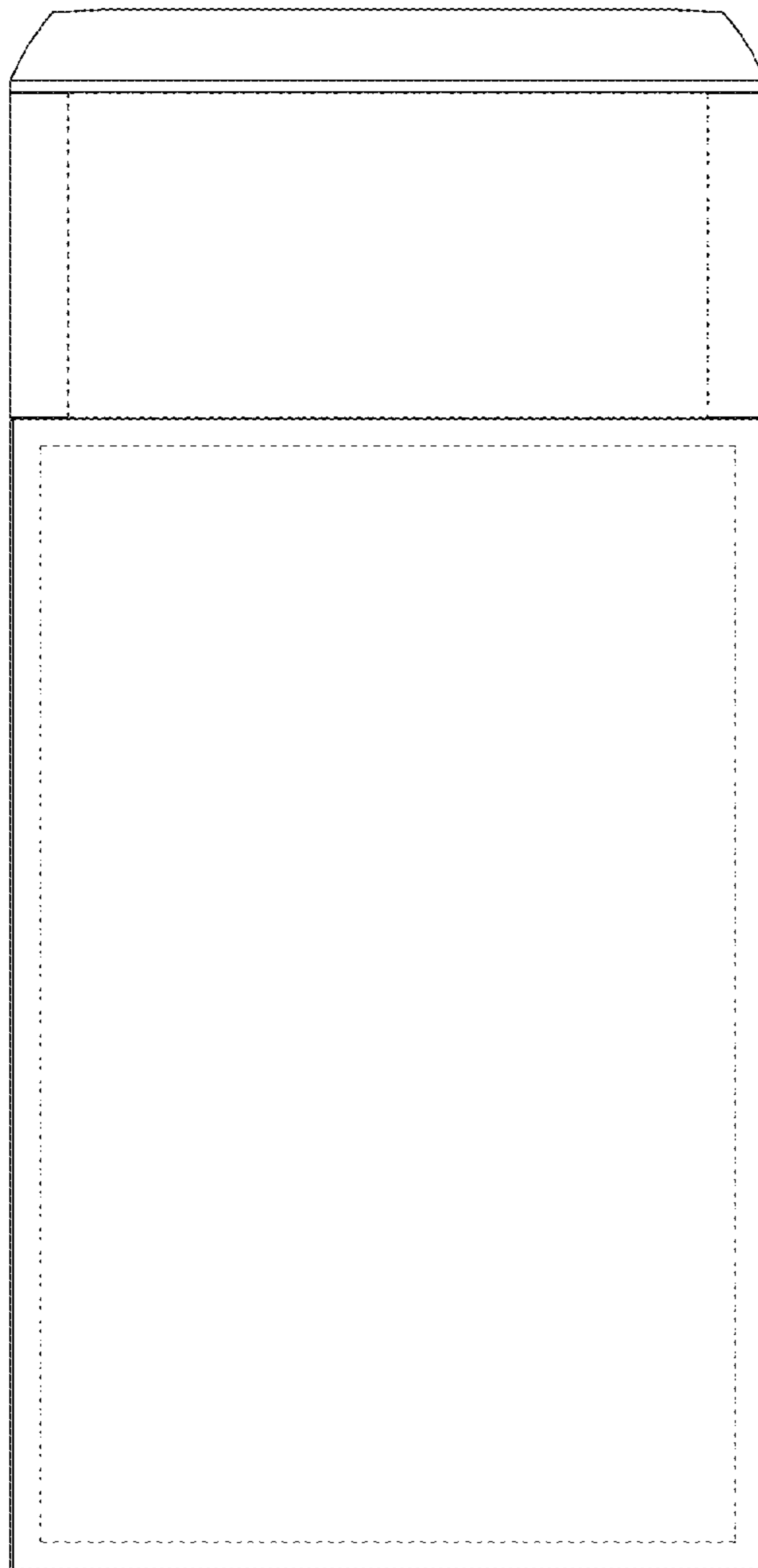


FIG. 4

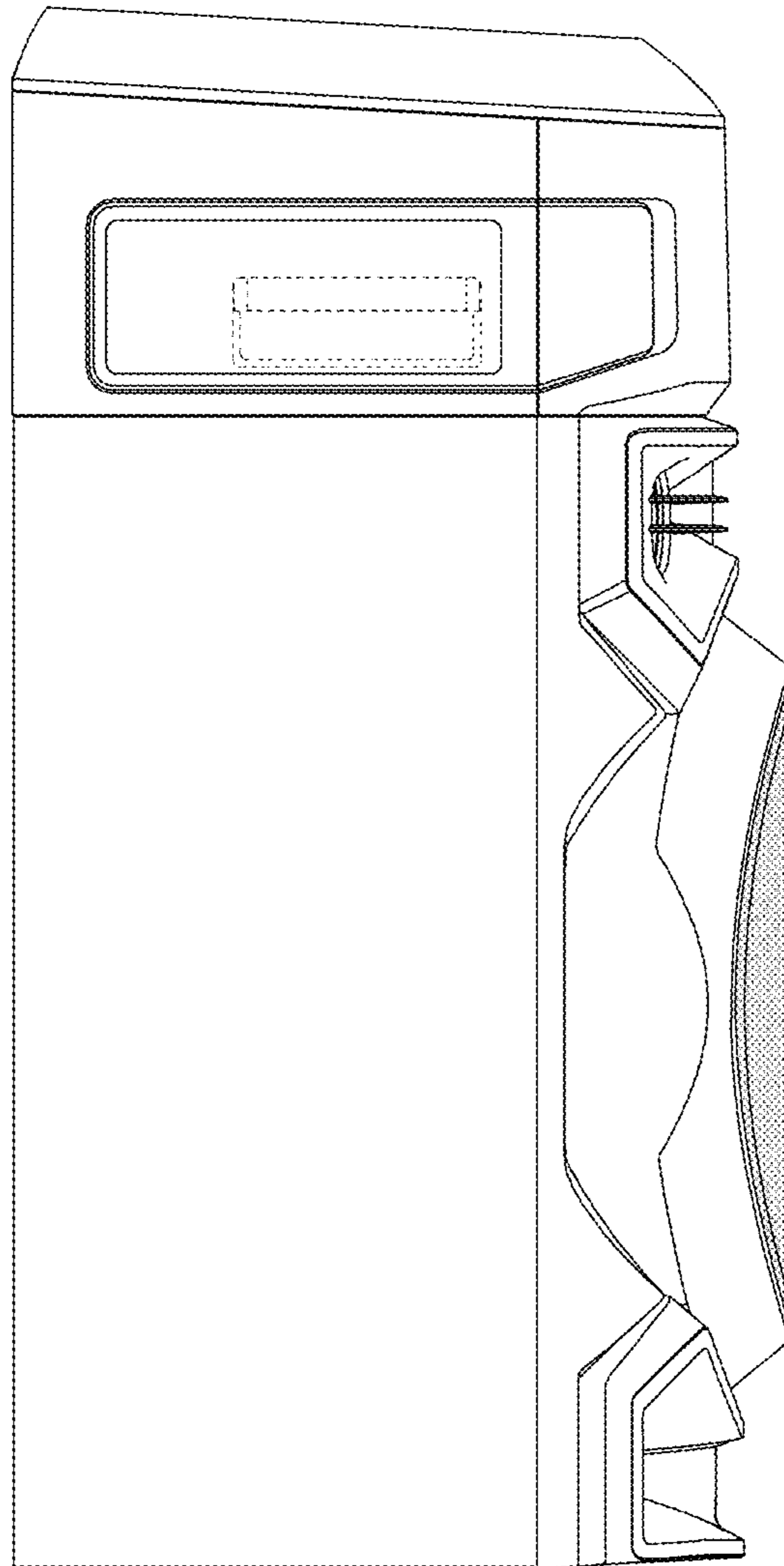


FIG. 5

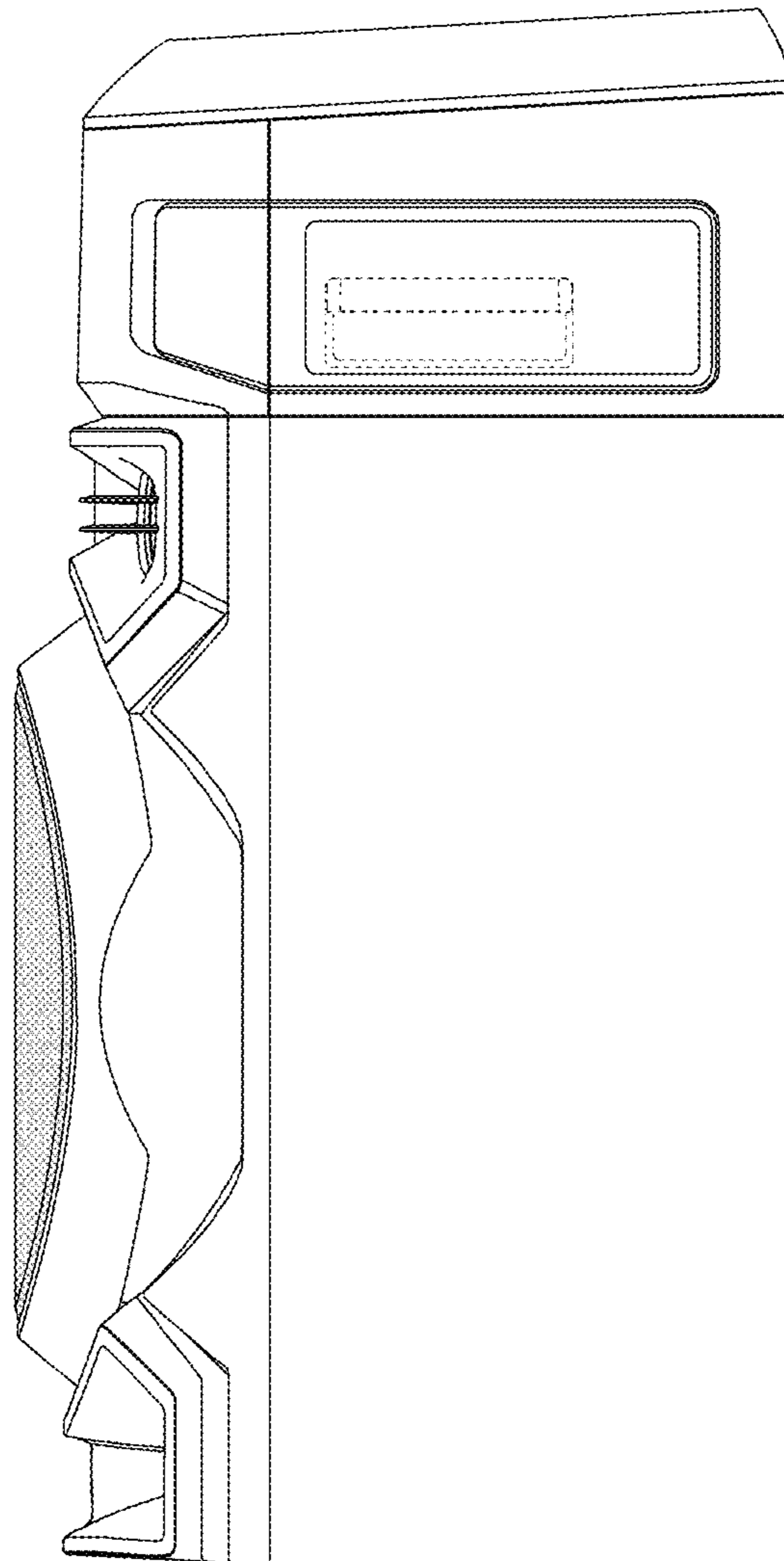


FIG. 6

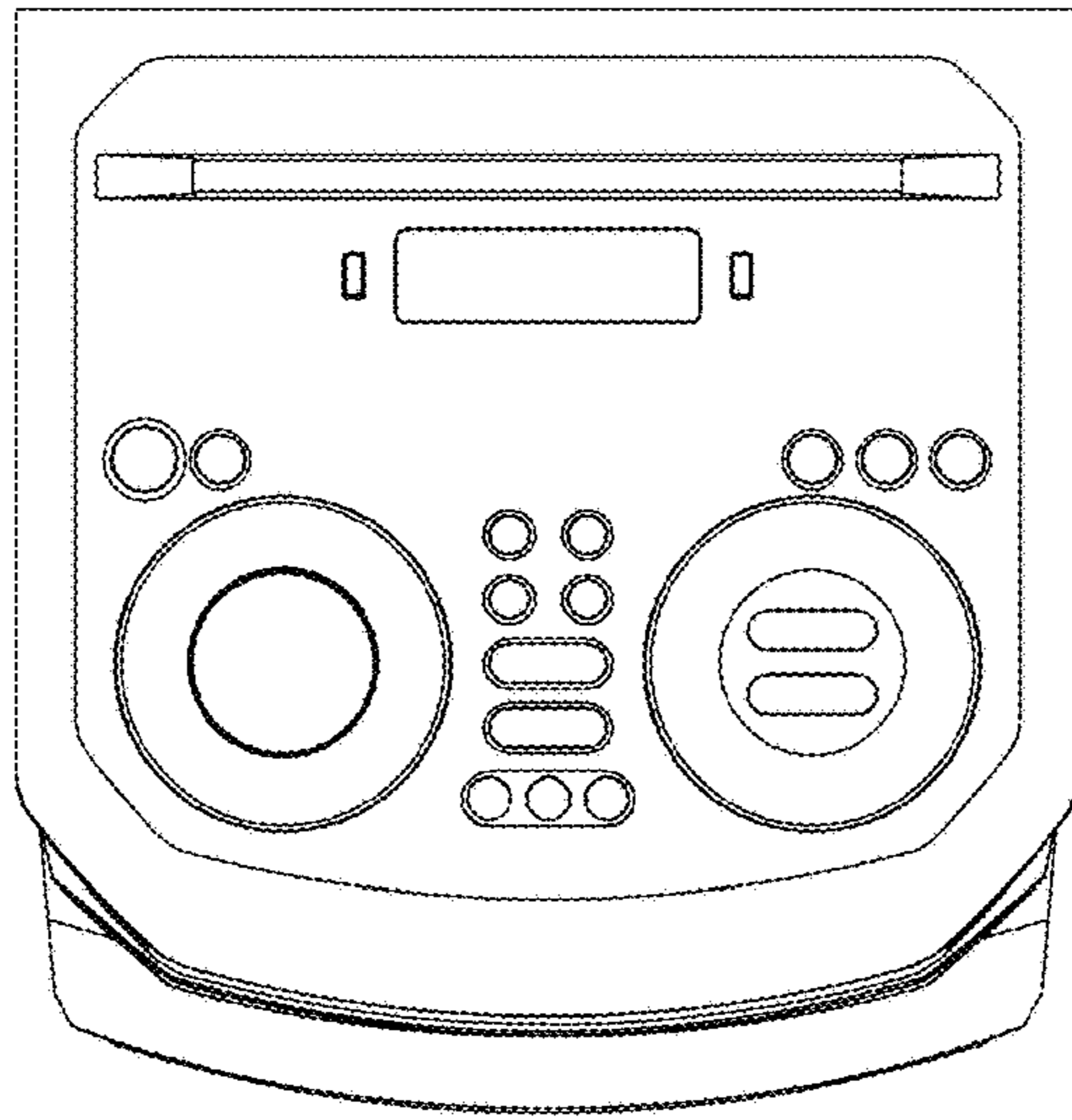


FIG. 7

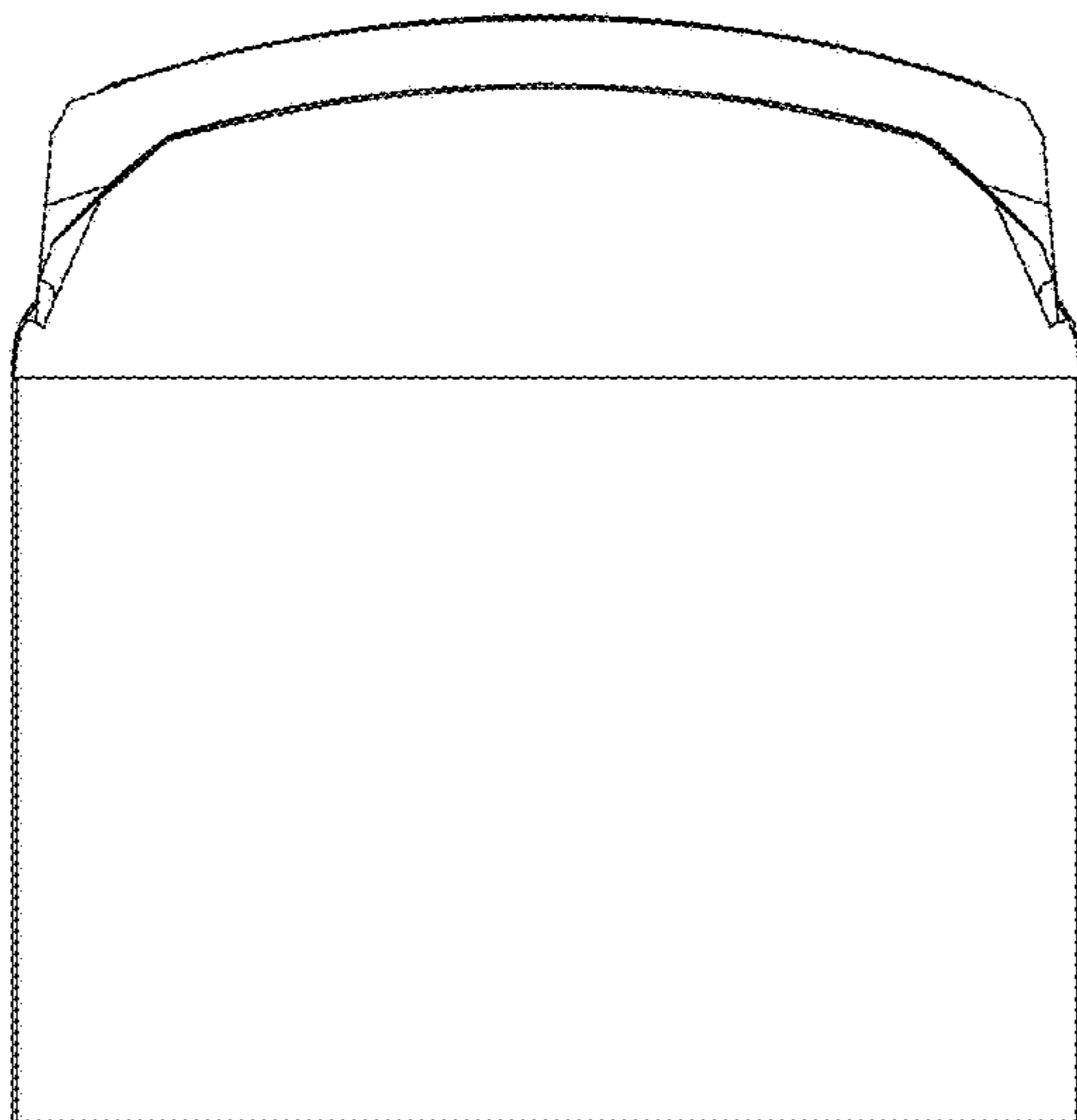


FIG. 8

